



US00D645802S

(12) **United States Design Patent**  
**Henning**

(10) **Patent No.:** **US D645,802 S**

(45) **Date of Patent:** **\*\* Sep. 27, 2011**

(54) **DISK BRAKE DUST SHIELD**

(75) Inventor: **Paul Henning**, Schwetzingen (DE)

(73) Assignee: **WABCO GmbH**, Hannover (DE)

(\*\*) Term: **14 Years**

(21) Appl. No.: **29/389,646**

(22) Filed: **Apr. 14, 2011**

(51) **LOC (9) Cl.** ..... **12-16**

(52) **U.S. Cl.** ..... **D12/180**

(58) **Field of Classification Search** ..... D12/180;  
188/71.1, 73.3, 73.31-73.39, 72.2, 72.4,  
188/73.41-73.46, 218 XL, 370, 1.11 W, 264 A,  
188/264 AA

See application file for complete search history.

(56) **References Cited**

**U.S. PATENT DOCUMENTS**

D378,363	S *	3/1997	Sin	.....	D12/180
7,438,160	B2 *	10/2008	Maehara	.....	188/73.31
7,578,374	B2 *	8/2009	Takeo et al.	.....	188/73.38
D600,613	S *	9/2009	Jungmann et al.	.....	D12/180
7,793,165	B1 *	9/2010	Breau et al.	.....	714/53

D642,100 S \* 7/2011 Crippa et al. .... D12/180

\* cited by examiner

*Primary Examiner* — Melody N Brown

(74) *Attorney, Agent, or Firm* — Kramer Levin Naftalis & Frankel LLP

(57) **CLAIM**

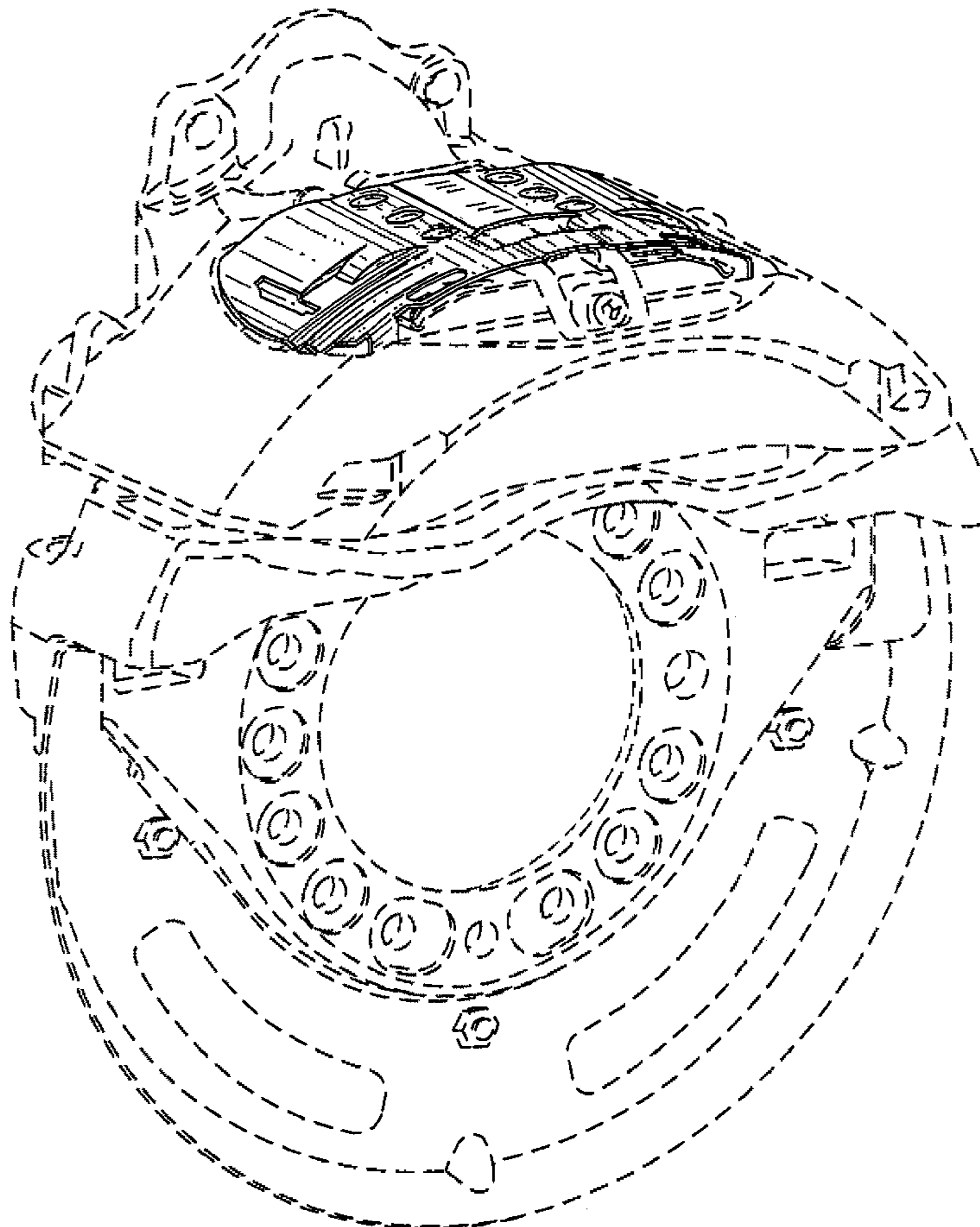
The ornamental design for a disk brake dust shield, as shown and described.

**DESCRIPTION**

FIG. 1 is a top, rear, right side perspective view of a disk brake dust shield showing the new design;  
FIG. 2 is a top, front, left side perspective view thereof;  
FIG. 3 is a top plan view thereof;  
FIG. 4 is a front elevational view thereof;  
FIG. 5 is a left side elevational view thereof;  
FIG. 6 is a right side elevational view thereof;  
FIG. 7 is a rear elevational view thereof; and,  
FIG. 8 is a bottom plan view thereof.

The portions of the design depicted in broken lines form no part of the claimed design.

**1 Claim, 8 Drawing Sheets**



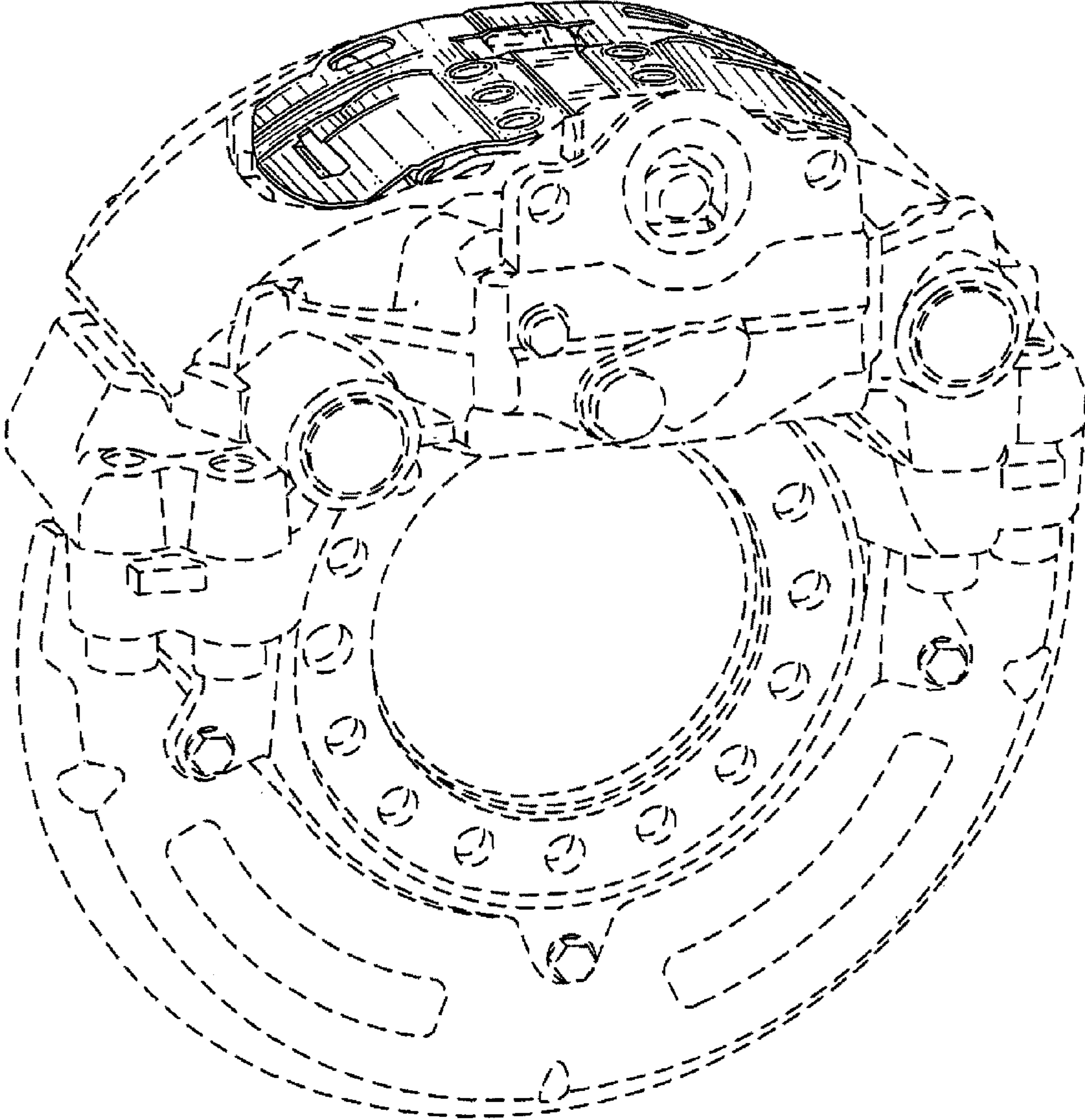


FIG. 1

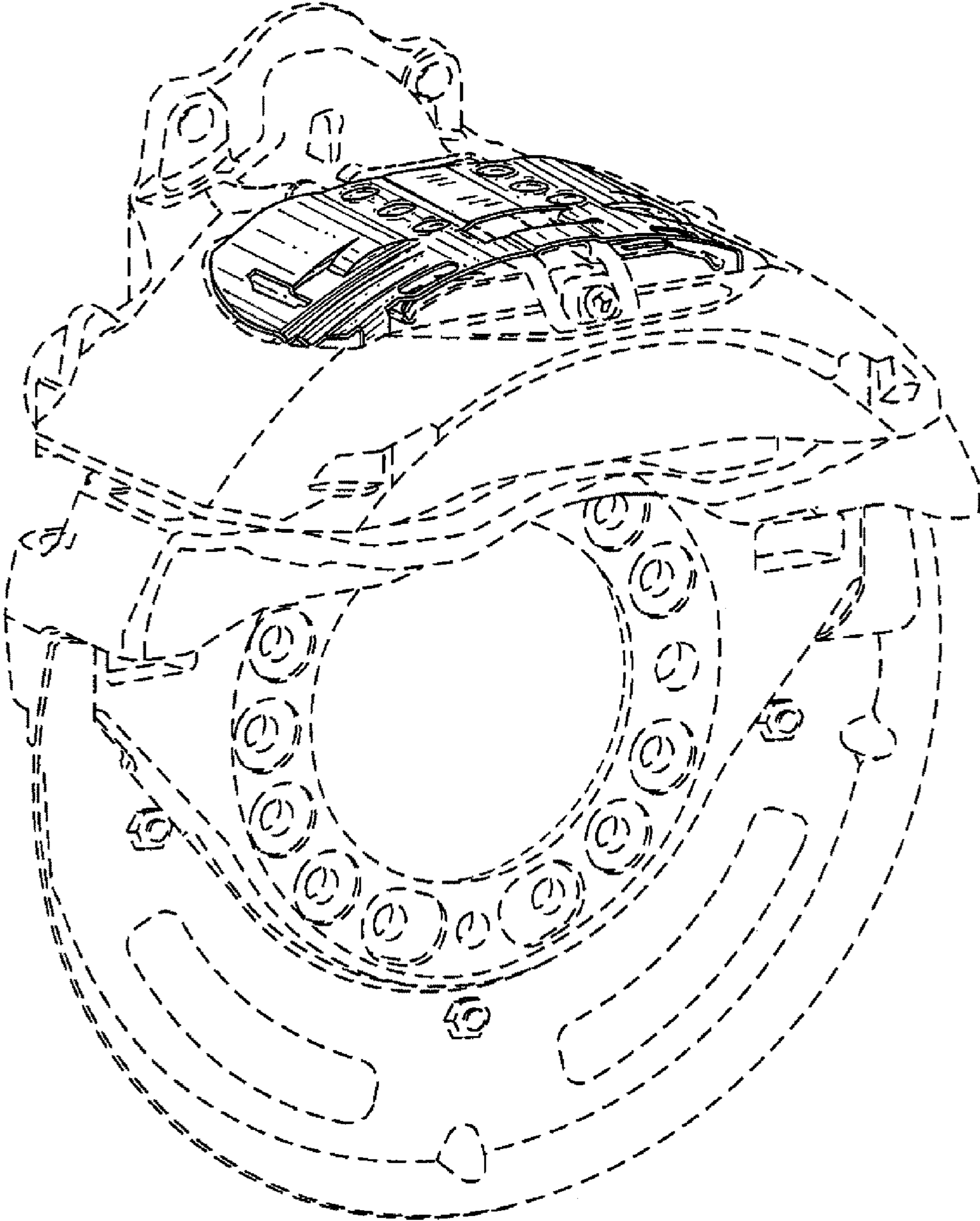


FIG. 2

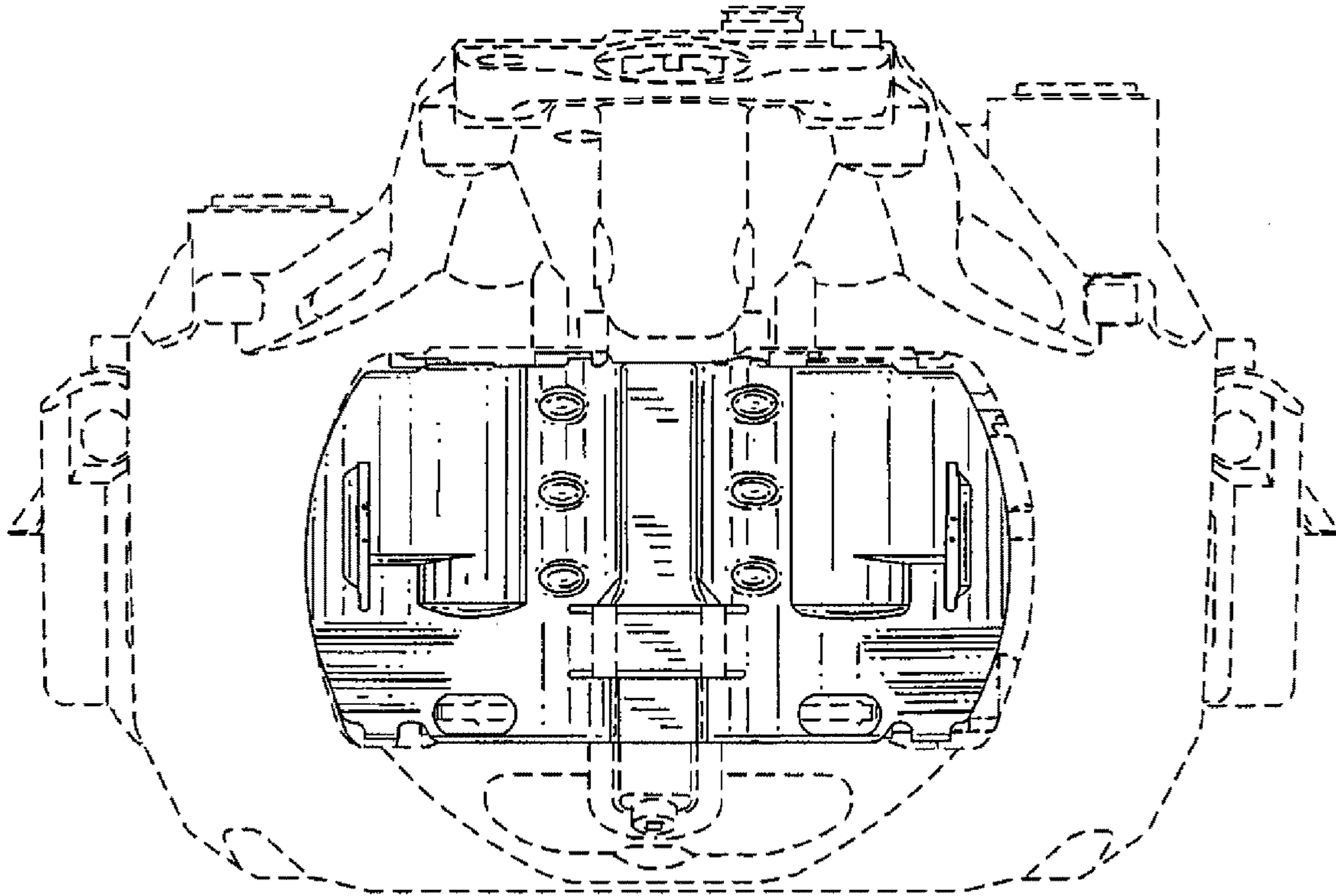


FIG. 3

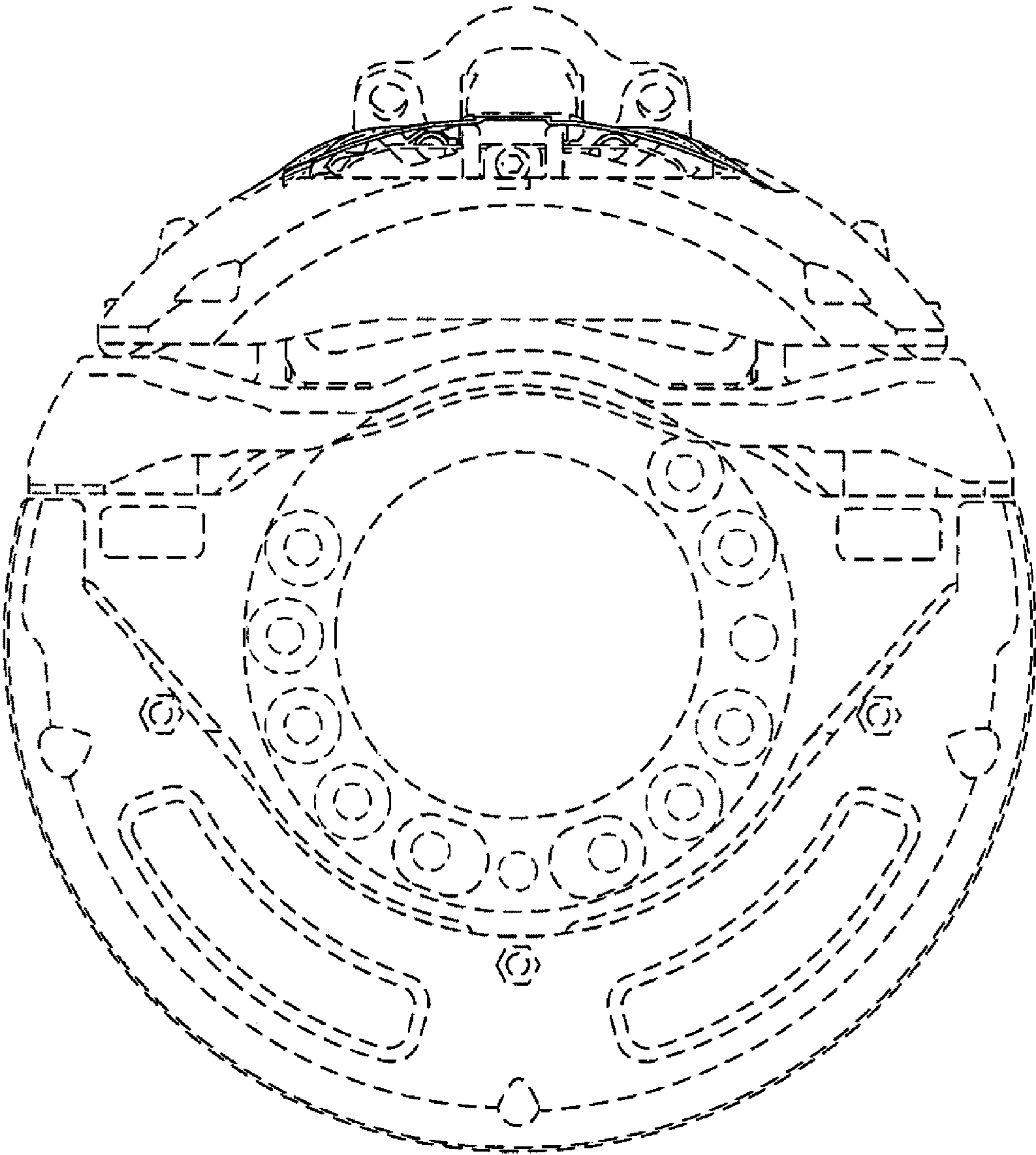


FIG. 4

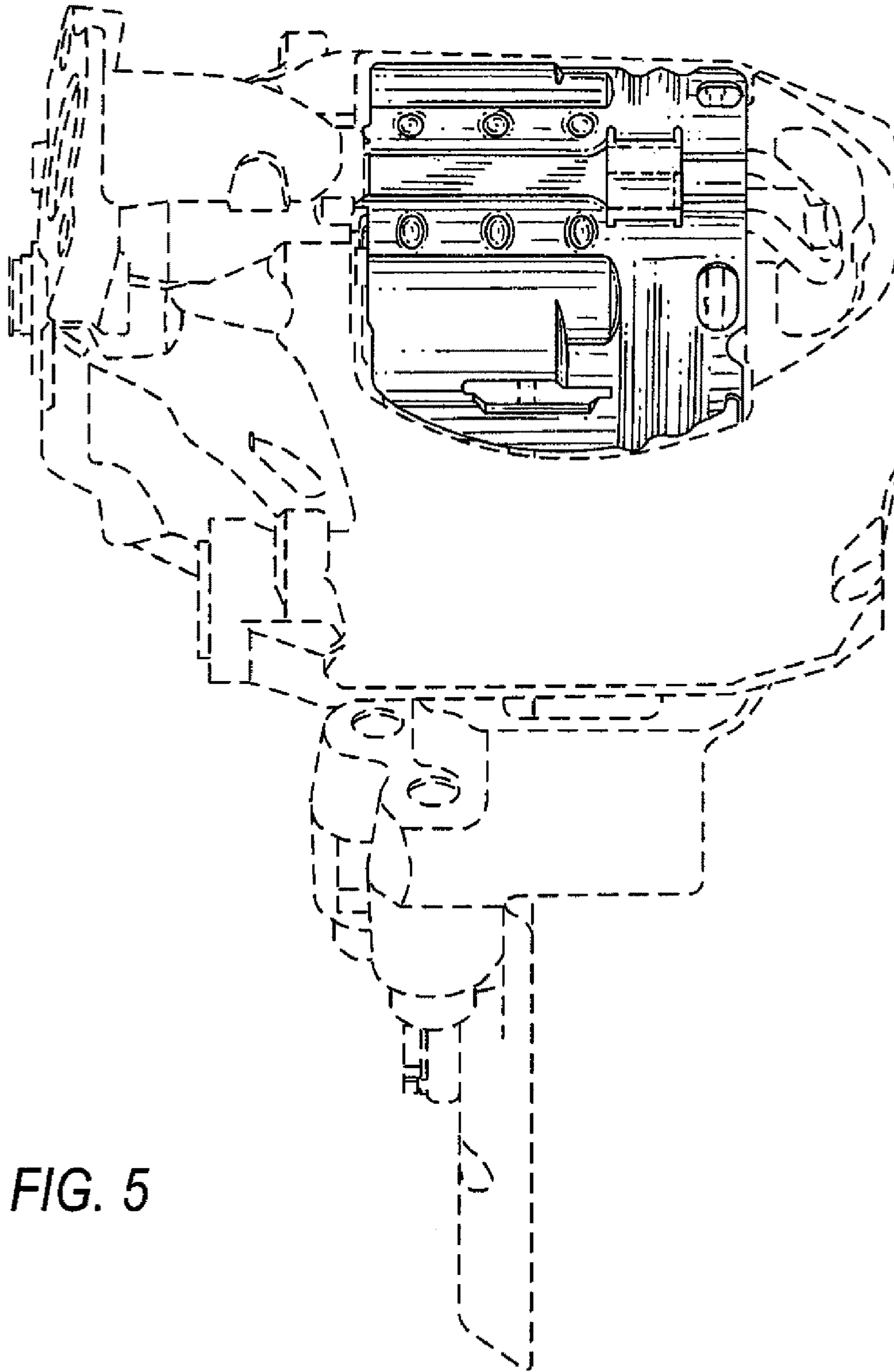


FIG. 5

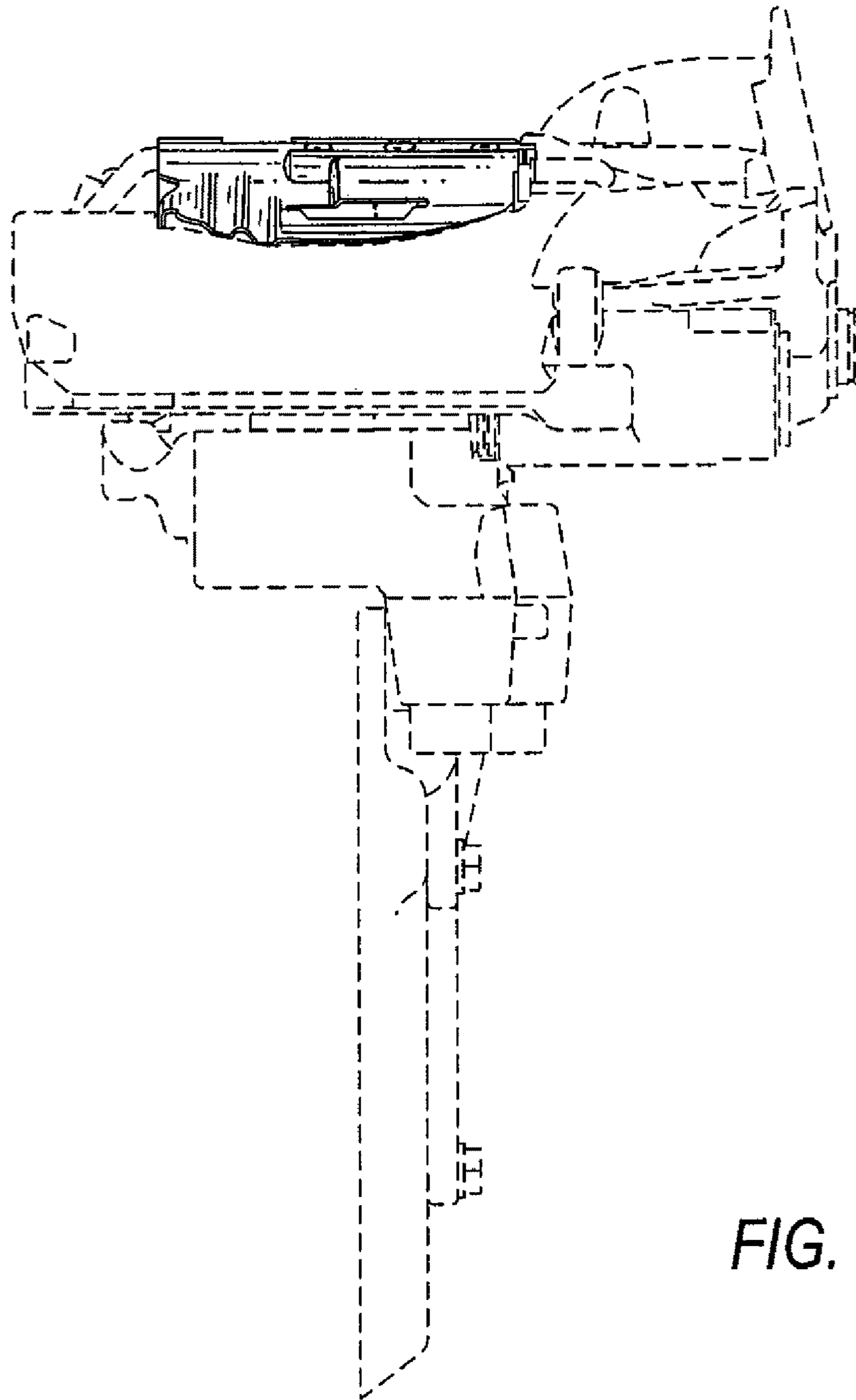


FIG. 6

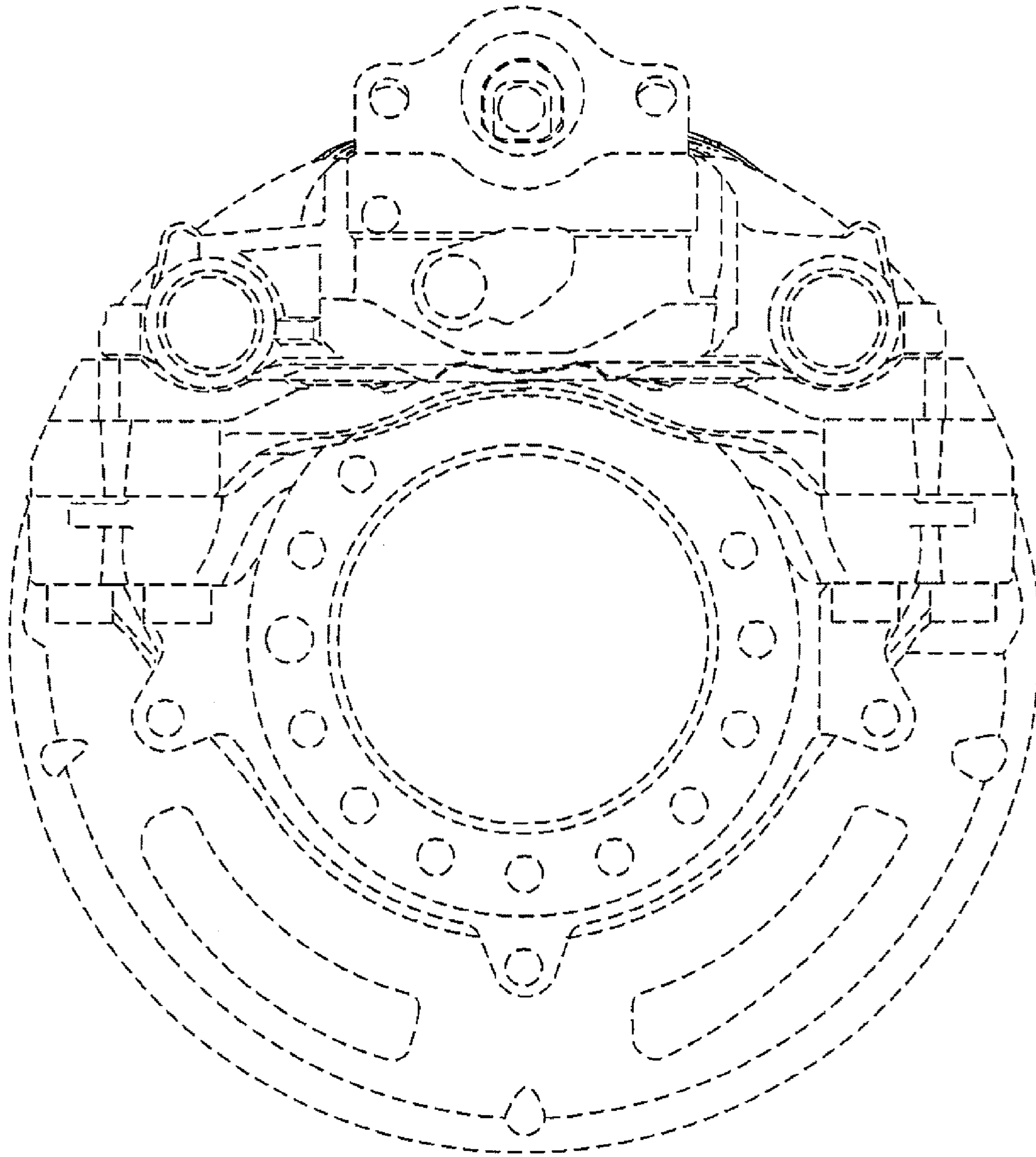


FIG. 7



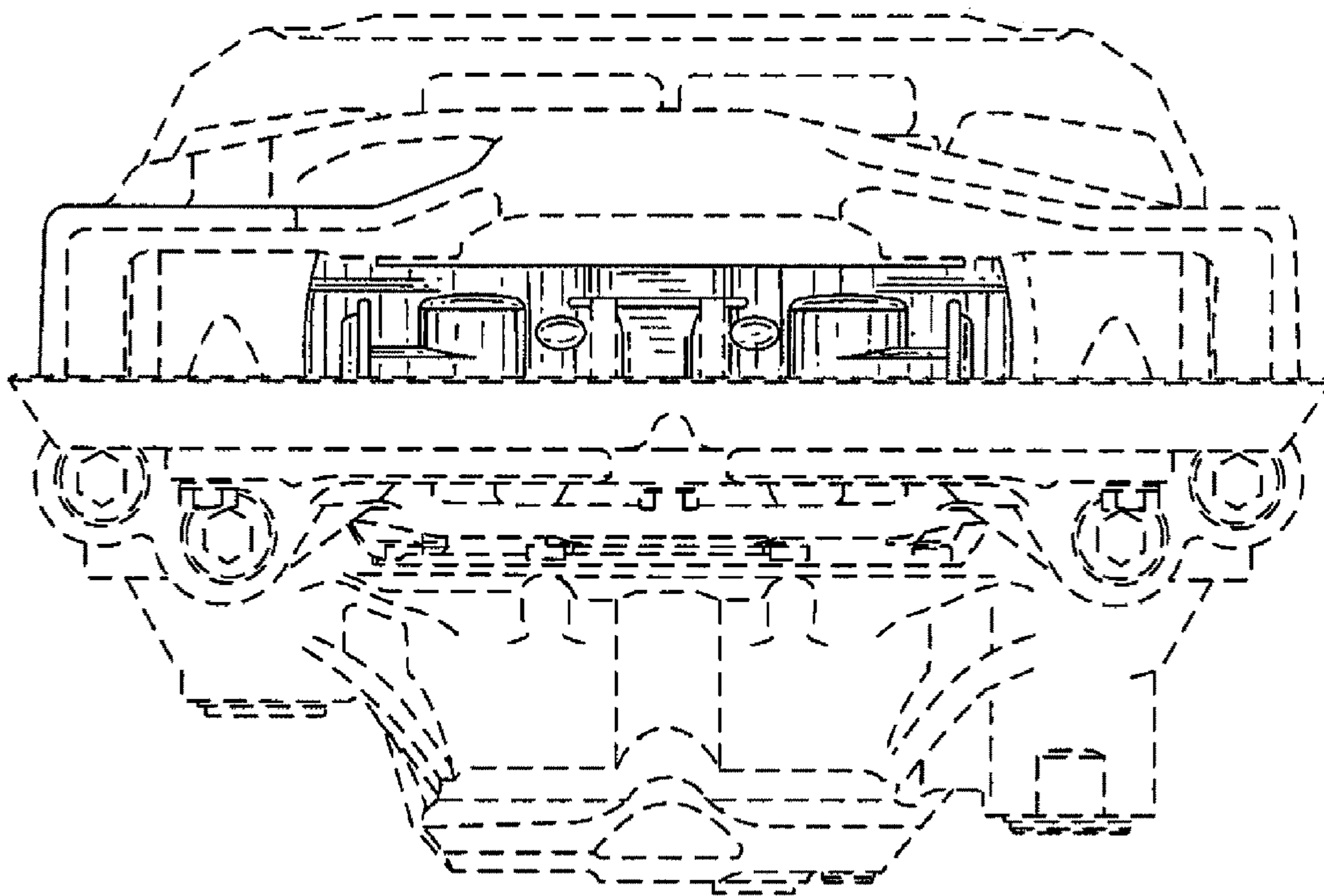


FIG. 8