



US00D645801S

(12) **United States Design Patent**
Beigel et al.

(10) **Patent No.:** **US D645,801 S**

(45) **Date of Patent:** **** Sep. 27, 2011**

(54) **HOOD OF A TRUCK VEHICLE**

(75) Inventors: **David J. Beigel**, Payne, OH (US);
Marcey K. Collins, Fort Wayne, IN
(US); **Robert P. Scott**, Fort Wayne, IN
(US); **Joseph F. DeNatale**, Fort Wayne,
IN (US); **L. David Allendorph**, Fort
Wayne, IN (US); **Christopher Spurlin**,
Fort Wayne, IN (US); **Nicholas D.**
Lengacher, Woodburn, IN (US)

(73) Assignee: **International Truck Intellectual
Property Company, LLC**, Warrenville,
IL (US)

(**) Term: **14 Years**

(21) Appl. No.: **29/384,291**

(22) Filed: **Jan. 28, 2011**

(51) **LOC (9) Cl.** **12-16**

(52) **U.S. Cl.** **D12/173; D12/96**

(58) **Field of Classification Search** **D12/173,**
D12/196, 86, 90-92; 180/69.21, 69.2, 69.22
See application file for complete search history.

(56) **References Cited**

U.S. PATENT DOCUMENTS

D306,421 S	3/1990	Allendorph et al.
D306,714 S	3/1990	Allendorph
D307,126 S	4/1990	Allendorph et al.
D391,908 S	3/1998	Allendorph et al.
D401,198 S	11/1998	Mueller et al.
D403,637 S	1/1999	Abalos et al.
D426,800 S	6/2000	Zimmerman

D437,574 S	2/2001	Beigel	
D445,361 S	* 7/2001	Tirey et al.	D12/96
D445,384 S	7/2001	Tirey et al.	
D458,197 S	6/2002	Maher et al.	
D465,749 S	* 11/2002	Beigel	D12/96
D523,793 S	6/2006	Beigel et al.	
D536,287 S	2/2007	Beigel et al.	
D542,715 S	* 5/2007	Beigel et al.	D12/96
D557,186 S	12/2007	Beigel et al.	
D558,643 S	* 1/2008	Beigel et al.	D12/96
D564,427 S	3/2008	Beigel et al.	
D570,253 S	* 6/2008	Cunagin et al.	D12/96
D571,696 S	* 6/2008	Rosen et al.	D12/173
D578,453 S	* 10/2008	Raghavendran et al.	D12/173
D621,754 S	* 8/2010	Angelo et al.	D12/173
D622,188 S	* 8/2010	Angelo et al.	D12/96
D632,224 S	* 2/2011	Peltola et al.	D12/173

* cited by examiner

Primary Examiner — Melody N Brown

(74) *Attorney, Agent, or Firm* — Jeffrey P. Calfa; Mark C. Bach; Gerald W. Askew

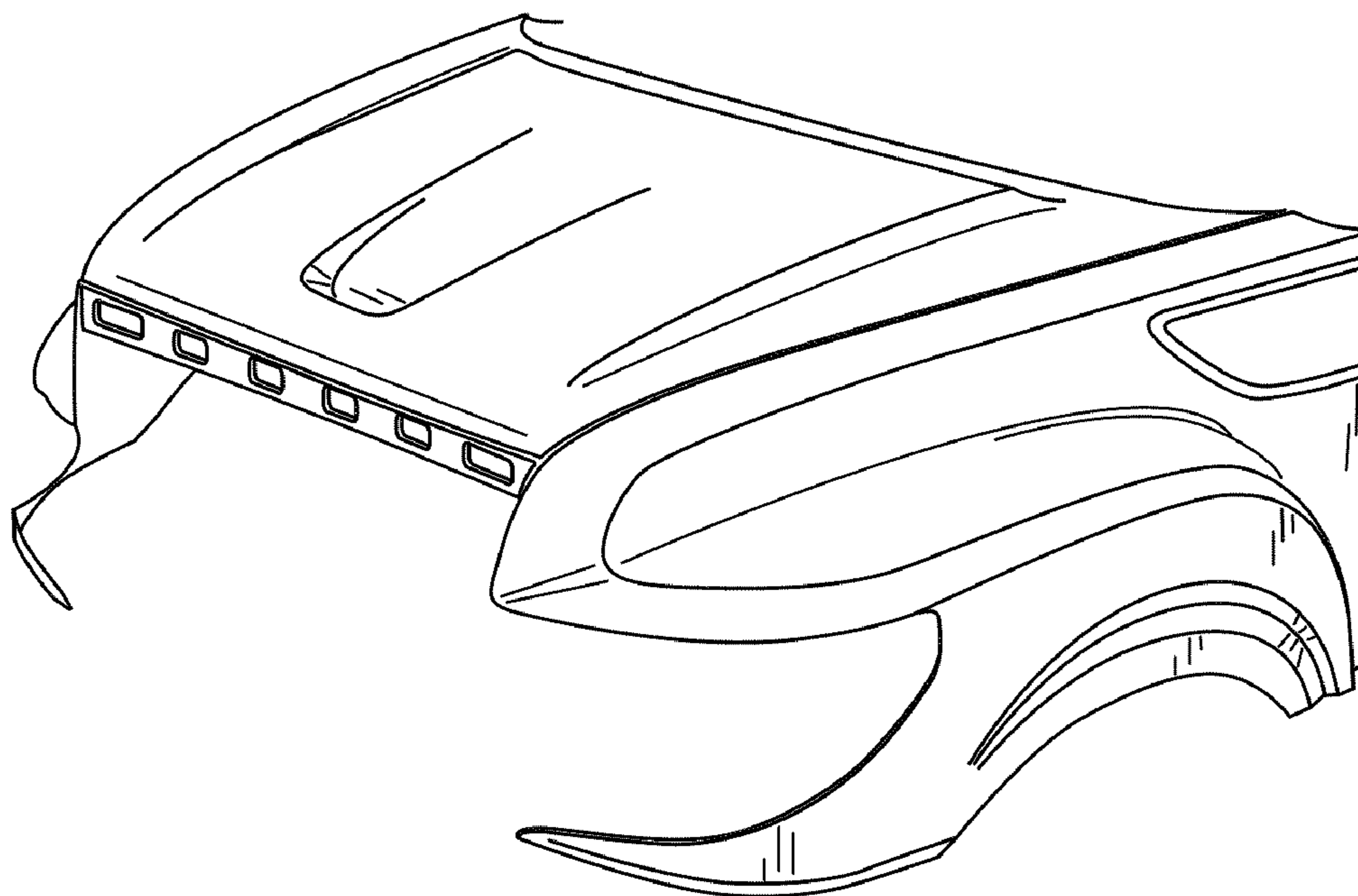
(57) **CLAIM**

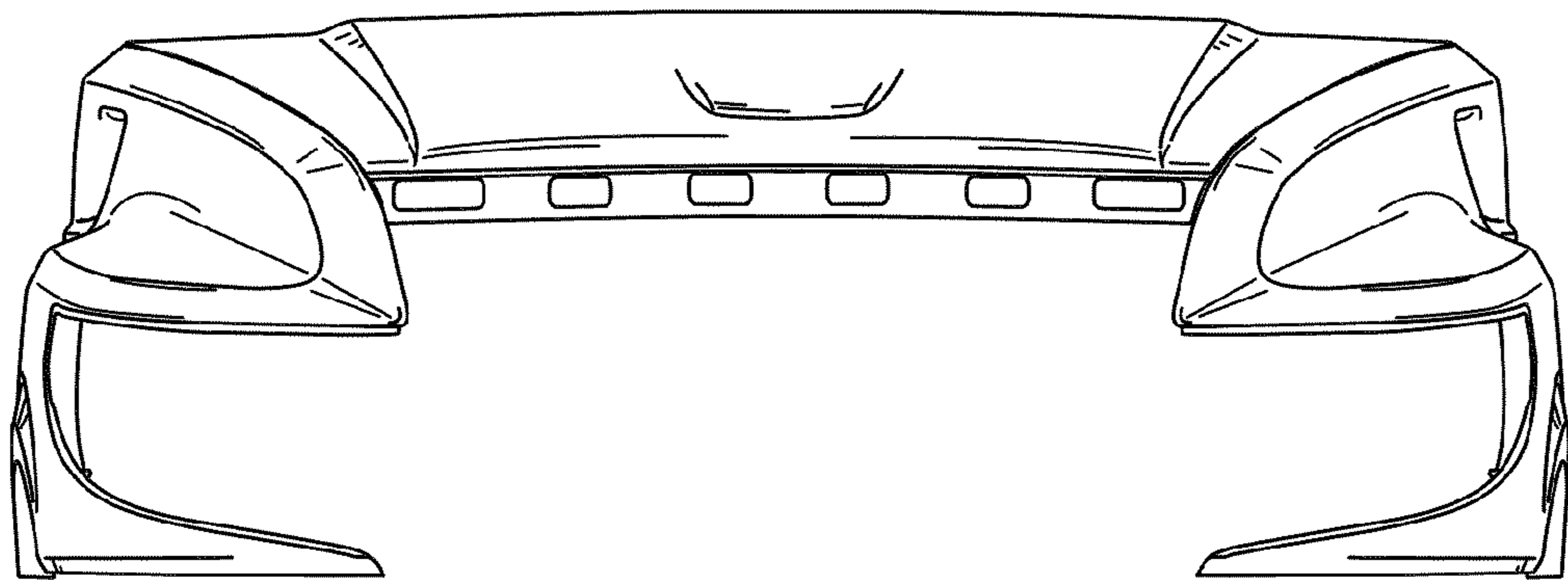
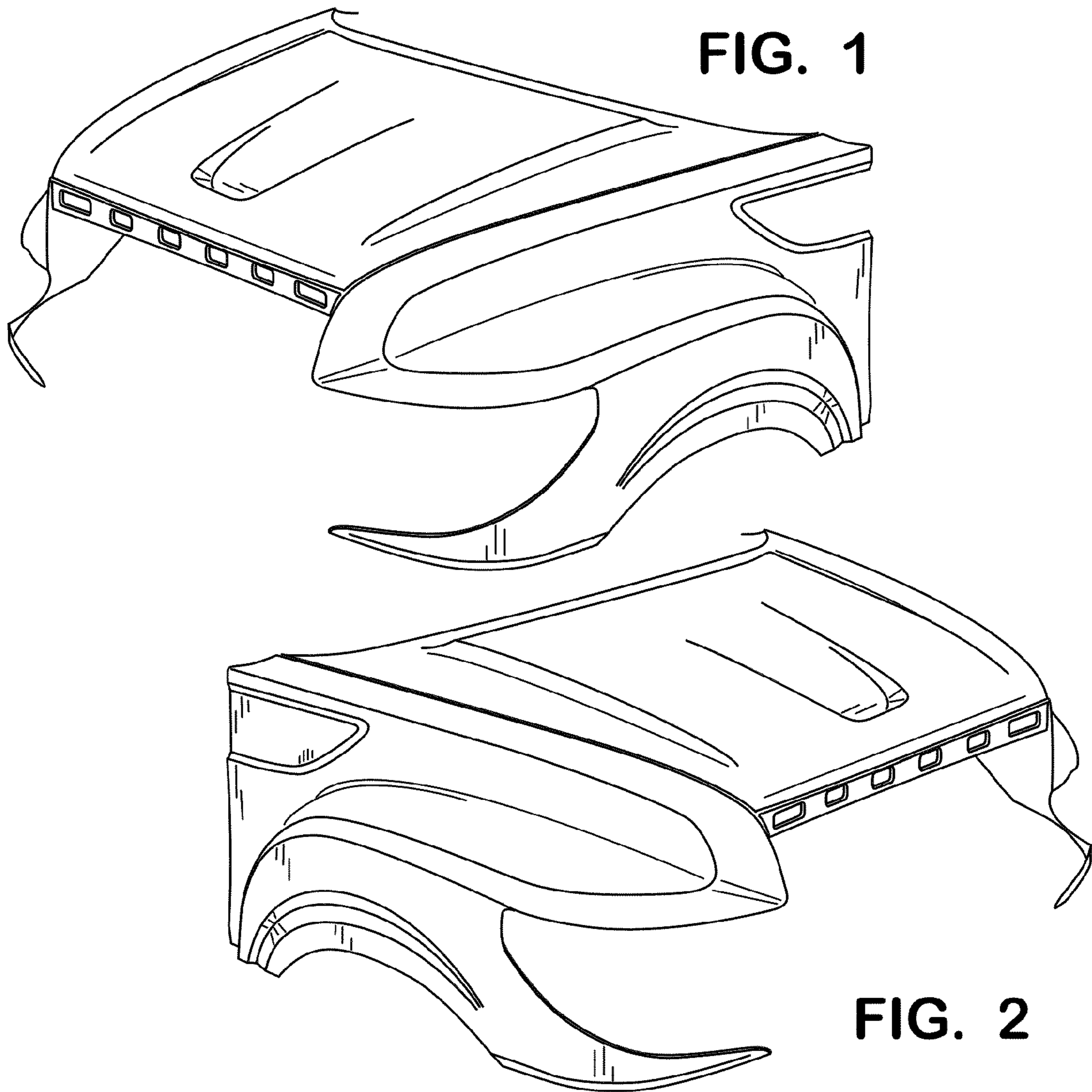
The ornamental design for a hood of a truck vehicle, as shown and described.

DESCRIPTION

FIG. 1 is a front and left side perspective view of a hood of a truck vehicle showing our new design;
FIG. 2 is a front and right side perspective view thereof;
FIG. 3 is a front elevation view thereof;
FIG. 4 is a top plan view thereof;
FIG. 5 is a right side elevation view thereof; and,
FIG. 6 is a left side elevation view thereof.

1 Claim, 2 Drawing Sheets





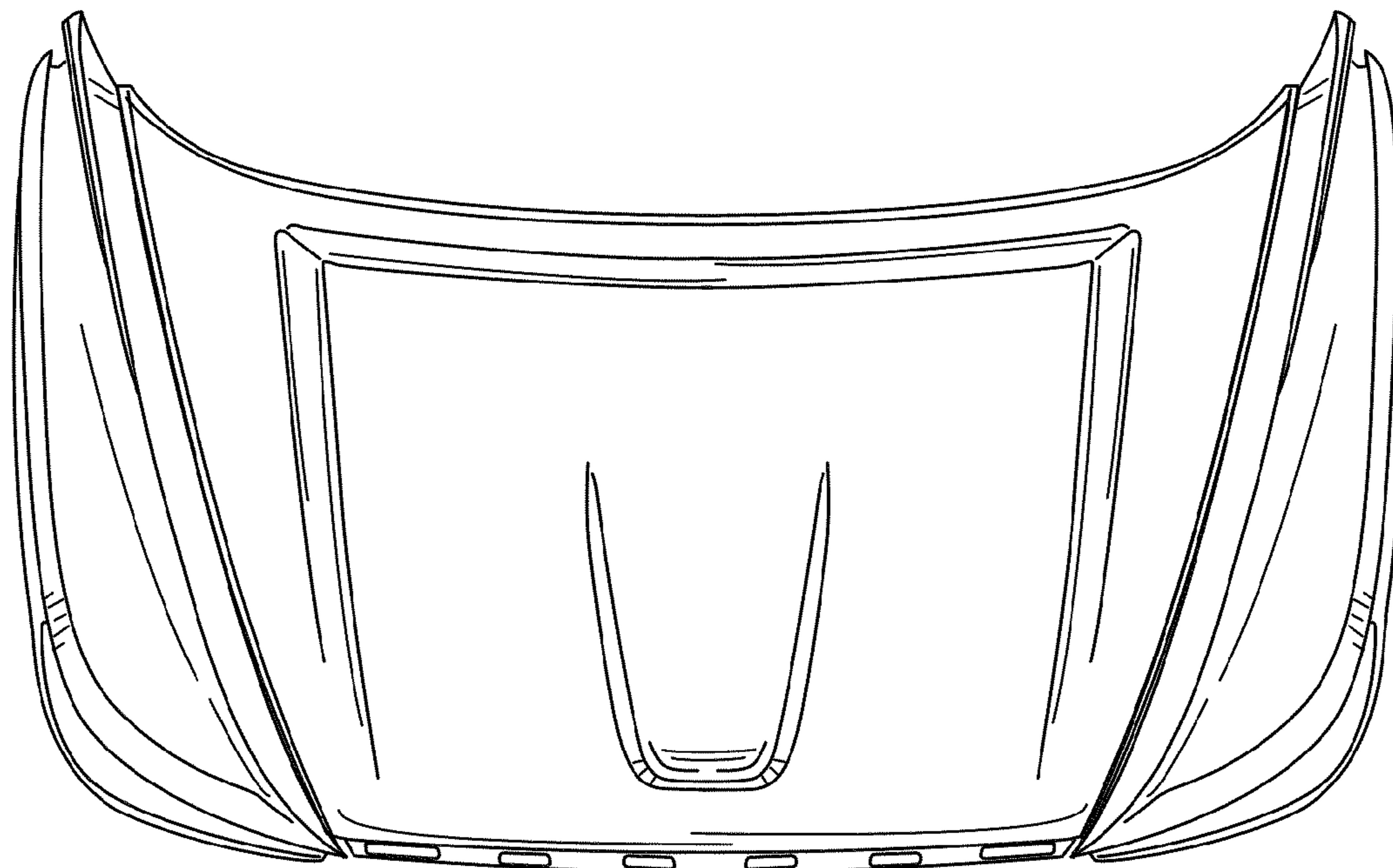


FIG. 4

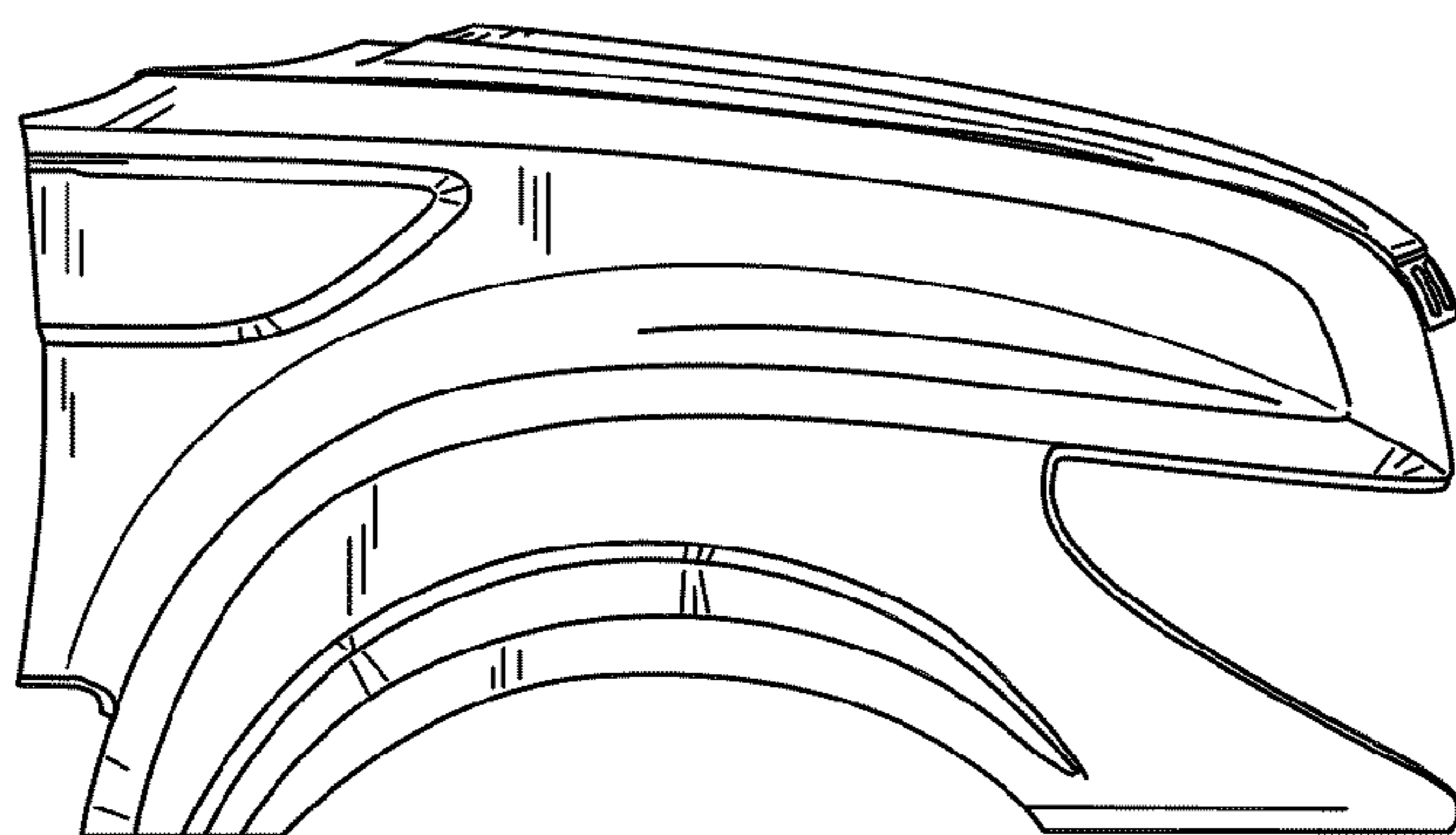


FIG. 5

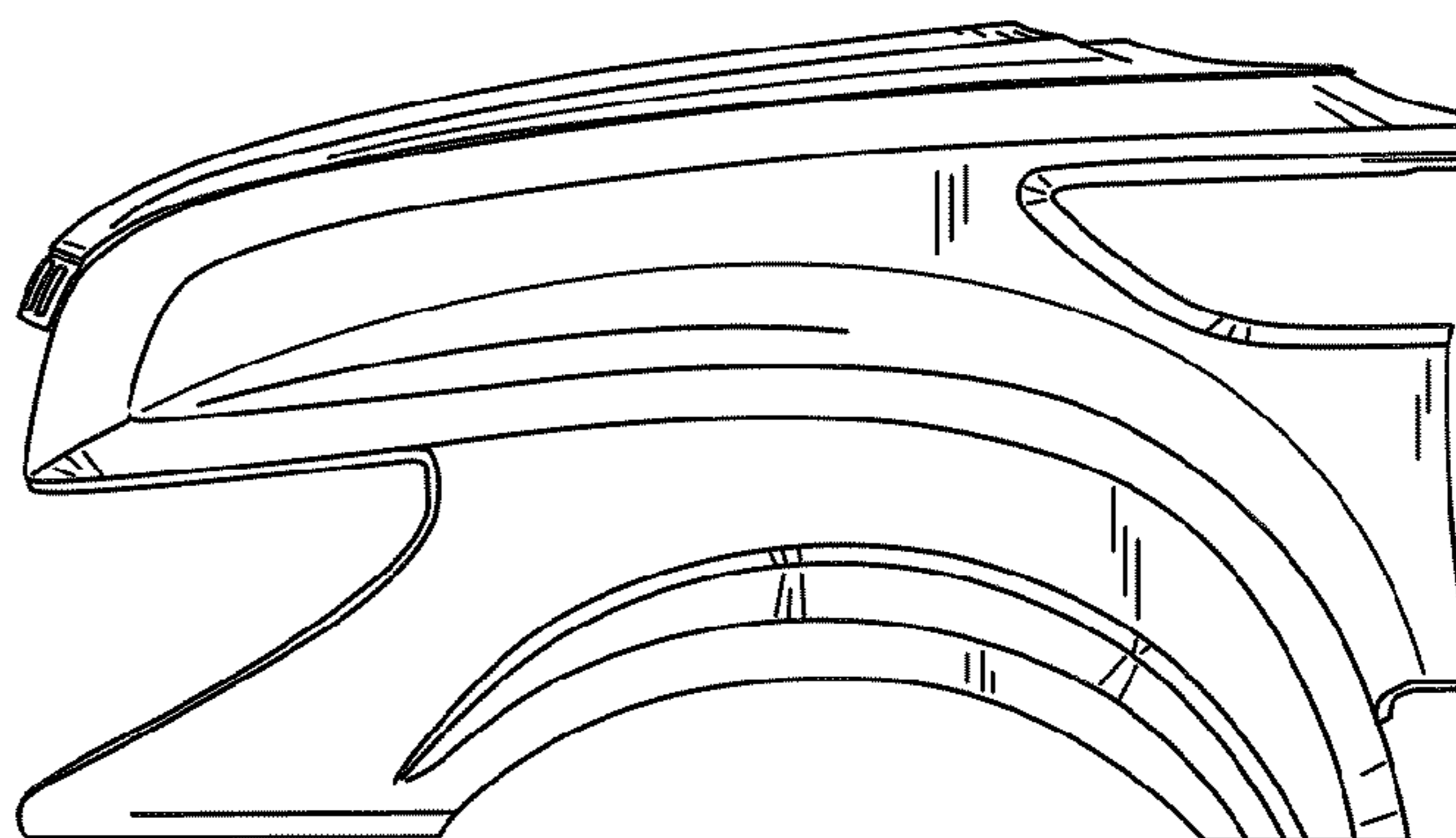


FIG. 6