

US00D645799S

(12) **United States Design Patent**
Beigel et al.

(10) **Patent No.:** **US D645,799 S**

(45) **Date of Patent:** **** Sep. 27, 2011**

- (54) **BUMPER OF A TRUCK VEHICLE**
- (75) Inventors: **David J. Beigel**, Payne, OH (US);
Marcey K. Collins, Fort Wayne, IN
(US); **Joseph F. DeNatale**, Fort Wayne,
IN (US); **L. David Allendorph**, Fort
Wayne, IN (US); **Christopher Spurlin**,
Fort Wayne, IN (US)
- (73) Assignee: **International Truck Intellectual
Property Company, LLC**, Warrenville,
IL (US)

- D483,707 S * 12/2003 Satou D12/169
- D521,912 S 5/2006 Beigel et al.
- D531,940 S * 11/2006 McCuller et al. D12/169
- D535,225 S * 1/2007 Tsai D12/169
- D537,389 S 2/2007 Beigel et al.
- D540,224 S 4/2007 Gregory et al.
- D556,649 S 12/2007 Beigel et al.
- D556,661 S 12/2007 Otto
- D560,144 S * 1/2008 Tant et al. D12/169
- D584,664 S * 1/2009 Johnson et al. D12/169
- D584,665 S * 1/2009 Johnson et al. D12/169
- D597,000 S * 7/2009 Golden et al. D12/169
- D612,778 S 3/2010 Beigel et al.
- D623,107 S 9/2010 Beigel et al.

* cited by examiner

(**) Term: **14 Years**

(21) Appl. No.: **29/384,279**

(22) Filed: **Jan. 28, 2011**

(51) **LOC (9) Cl.** **12-16**

(52) **U.S. Cl.** **D12/169**

(58) **Field of Classification Search** D12/169,
D12/196, 171, 216, 163, 86, 90-92; 293/102,
293/113, 115, 117, 120; 296/180.1, 180.2
See application file for complete search history.

Primary Examiner — Melody N Brown

(74) *Attorney, Agent, or Firm* — Jeffrey P. Calfa; Mark C.
Bach; Gerald W. Askew

(57) **CLAIM**

The ornamental design for a bumper of a truck vehicle, as
shown and described.

DESCRIPTION

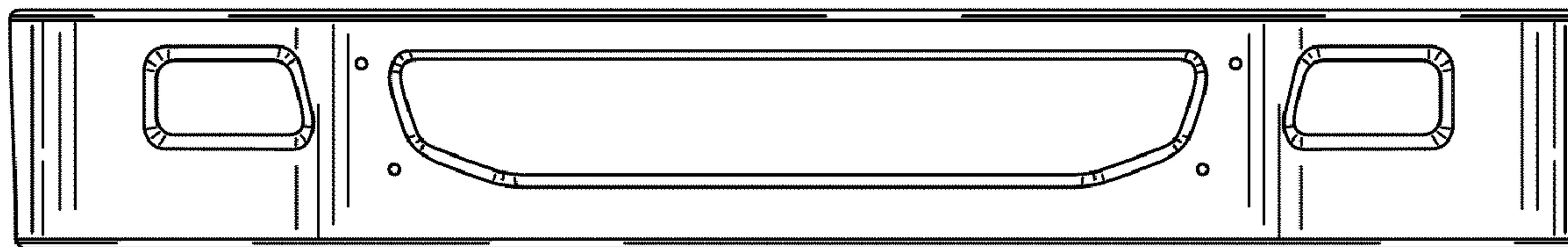
FIG. 1 is a front and left side perspective view of a bumper of
a truck vehicle showing our new design;
FIG. 2 is a right side elevation view thereof;
FIG. 3 is a left side elevation view thereof;
FIG. 4 is a top plan view thereof;
FIG. 5 is a front elevation view thereof; and,
FIG. 6 is a bottom plan view thereof.

1 Claim, 2 Drawing Sheets

(56) **References Cited**

U.S. PATENT DOCUMENTS

- D304,569 S 11/1989 Brunger et al.
- D327,045 S * 6/1992 Levine D12/169
- D442,898 S 5/2001 Beigel
- D445,073 S 7/2001 Tirey et al.
- D458,565 S 6/2002 Maher et al.
- D482,302 S * 11/2003 Dozier et al. D12/169



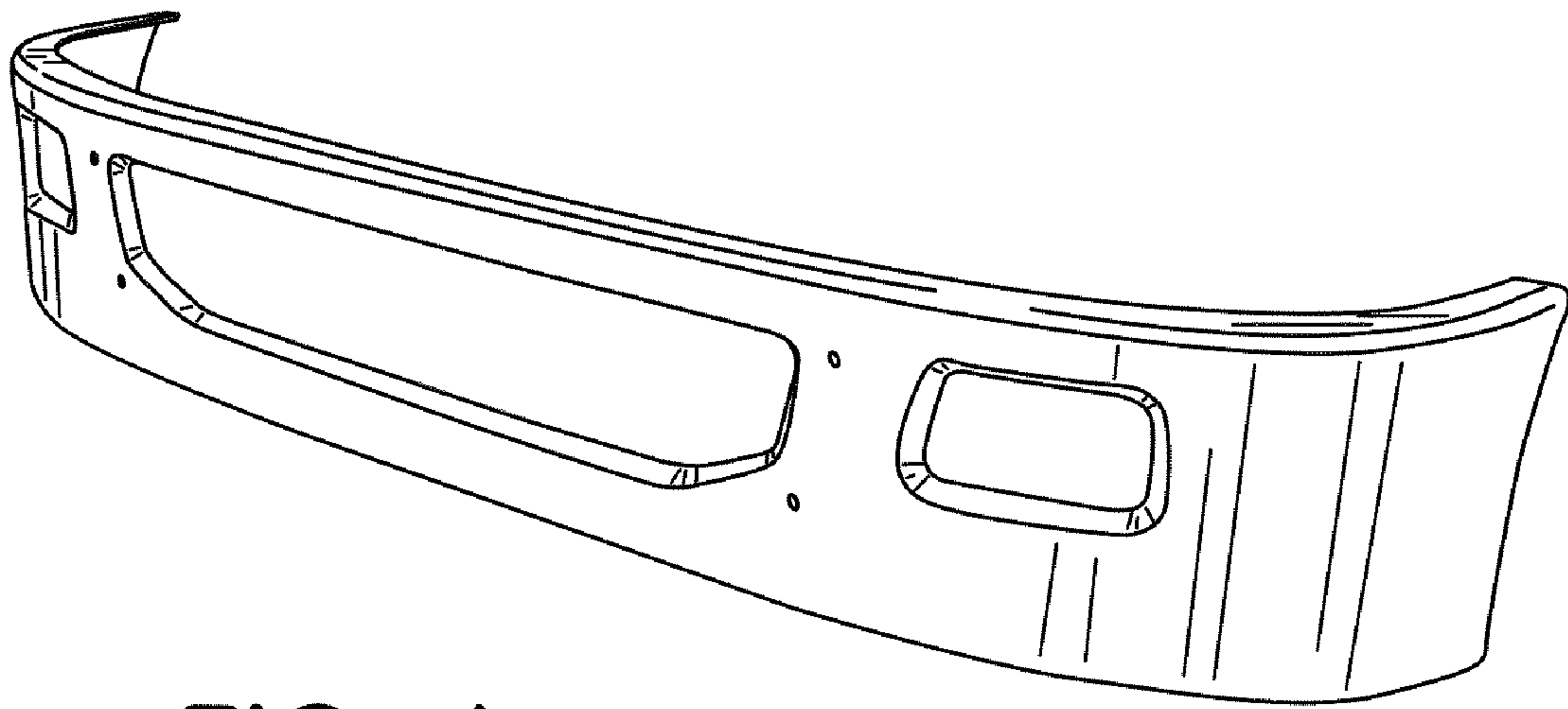


FIG. 1

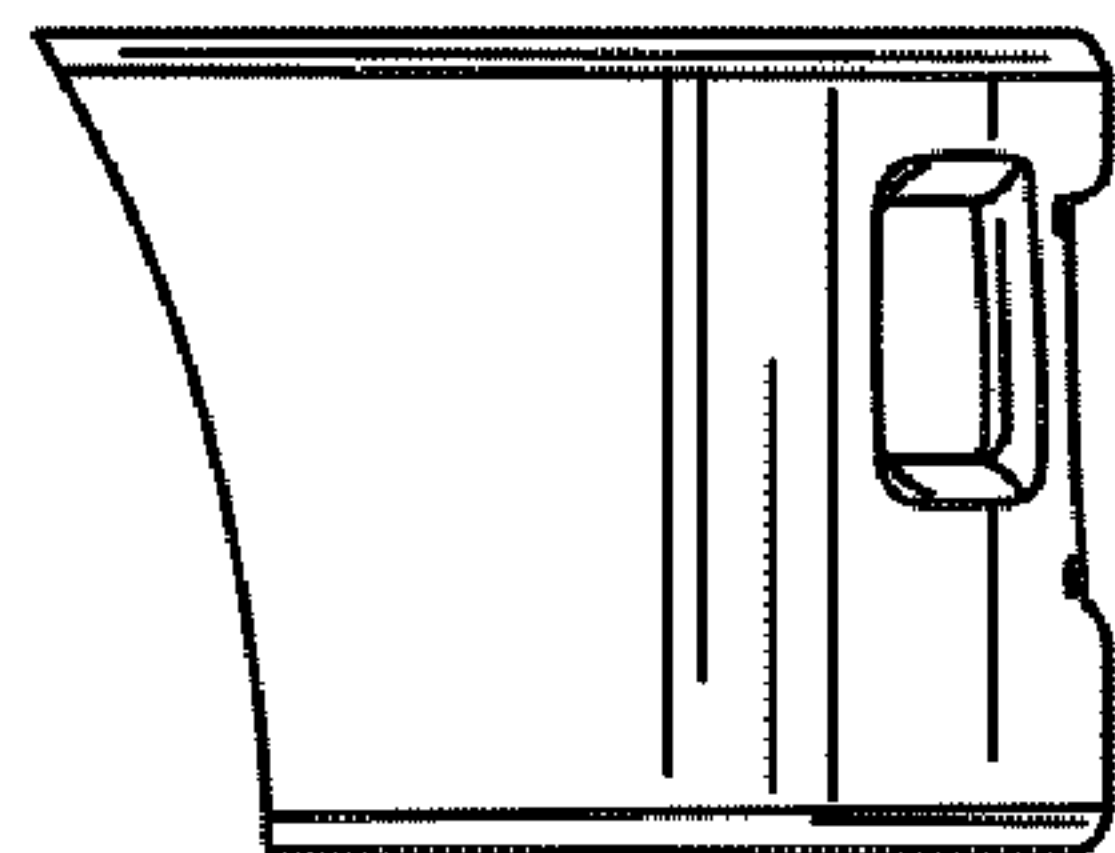


FIG. 2

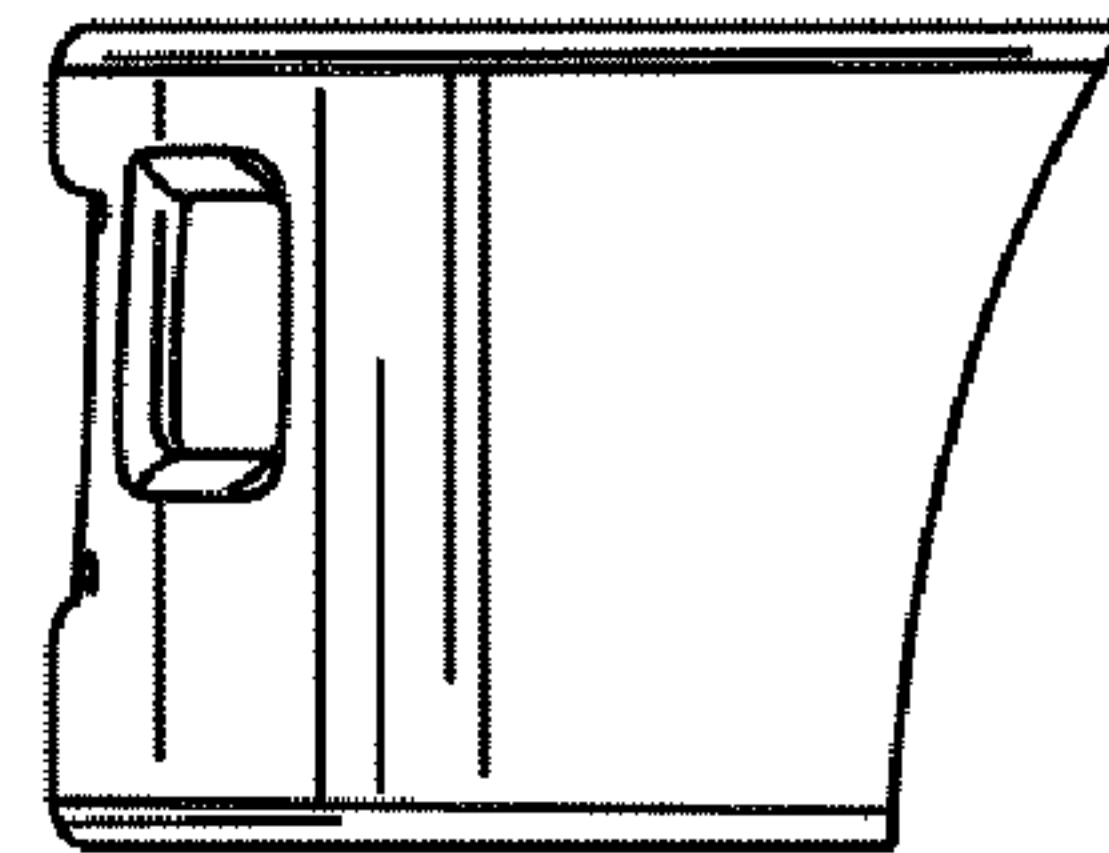


FIG. 3



FIG. 4

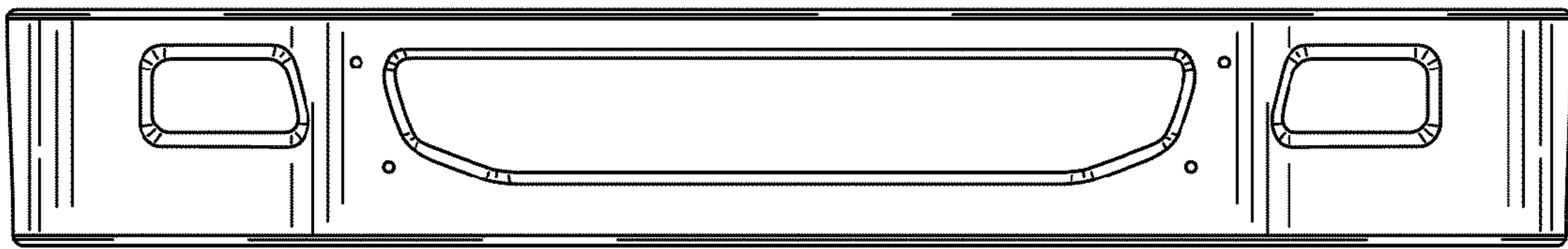


FIG. 5



FIG. 6