



US00D645795S

(12) **United States Design Patent**
Ishibashi

(10) **Patent No.:** **US D645,795 S**

(45) **Date of Patent:** **** Sep. 27, 2011**

(54) **GRILLE FOR AUTOMOBILES**

(75) Inventor: **Hiroshi Ishibashi**, Wako (JP)

(73) Assignee: **Honda Motor Co., Ltd.**, Tokyo (JP)

(**) Term: **14 Years**

(21) Appl. No.: **29/383,302**

(22) Filed: **Jan. 14, 2011**

(30) **Foreign Application Priority Data**

Jul. 16, 2010 (JP) 2010-017461

(51) **LOC (9) Cl.** **12-16**

(52) **U.S. Cl.** **D12/163**

(58) **Field of Classification Search** D12/163,
D12/196, 171, 86, 90-92, 216; 180/68.1,
180/68.6; 296/193.11

See application file for complete search history.

(56) **References Cited**

U.S. PATENT DOCUMENTS

D519,890 S * 5/2006 Sakae D12/163
D567,723 S * 4/2008 Saito D12/163
D571,693 S * 6/2008 Ishii D12/163
D583,284 S * 12/2008 Schell D12/163

D598,336 S * 8/2009 George et al. D12/163
D610,052 S * 2/2010 Watanabe D12/163
D614,547 S * 4/2010 Schell et al. D12/169
D636,302 S * 4/2011 Kido et al. D12/163
D637,531 S * 5/2011 Miyazawa D12/163

* cited by examiner

Primary Examiner — Melody N Brown

(74) *Attorney, Agent, or Firm* — Birch, Stewart, Kolasch & Birch, LLP

(57) **CLAIM**

The ornamental design for a grille for automobiles, as shown and described.

DESCRIPTION

FIG. 1 is a front elevational view of a grille for automobiles showing my new design;

FIG. 2 is a top plan view thereof;

FIG. 3 is a right side elevational view thereof, the left side elevational view being a mirror image of the right side elevational view; and,

FIG. 4 is a front perspective view thereof.

The bottom and rear views are not ornamental.

The portions shown in broken lines form no part of the claimed design.

1 Claim, 2 Drawing Sheets

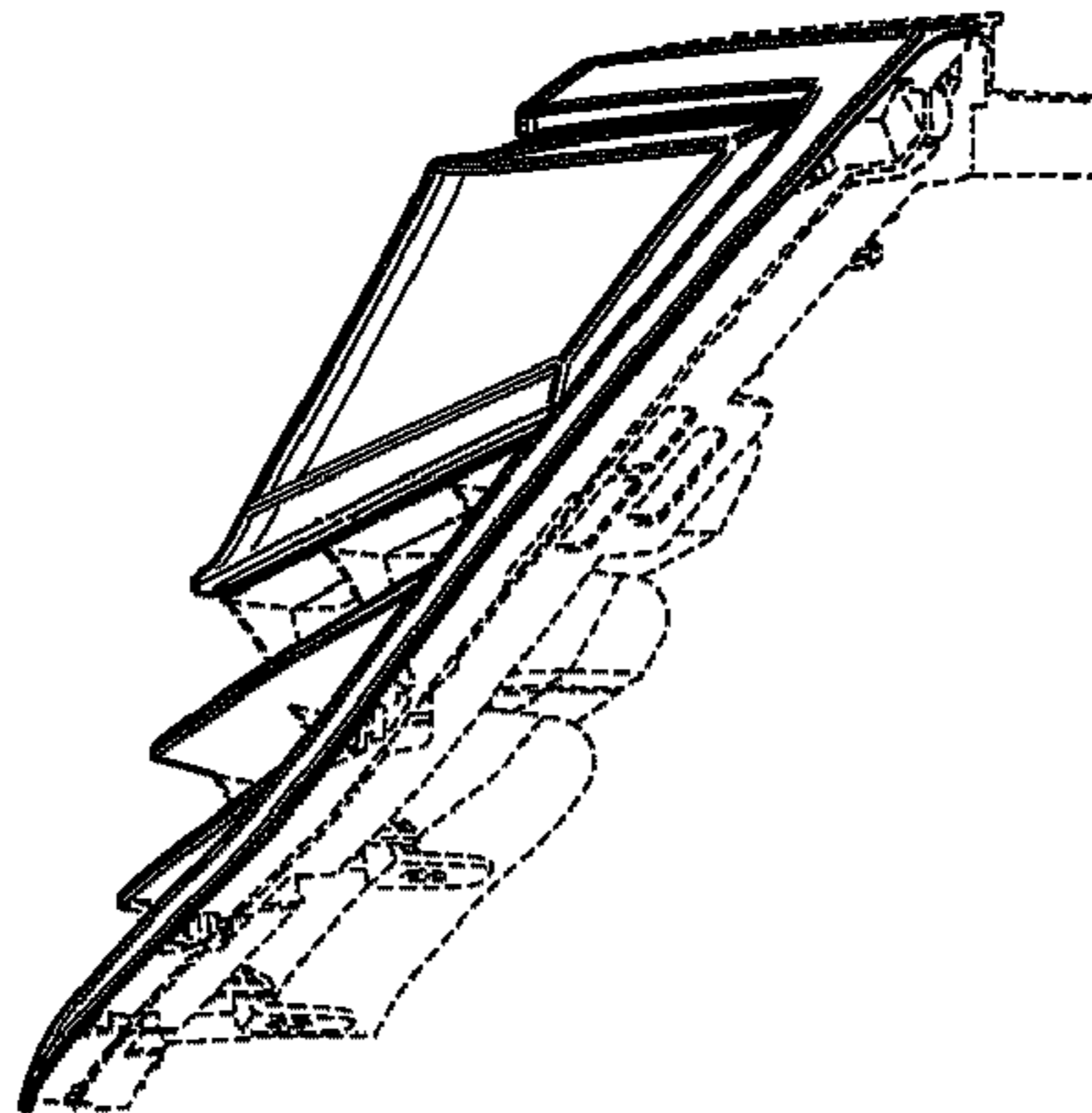


FIG.1

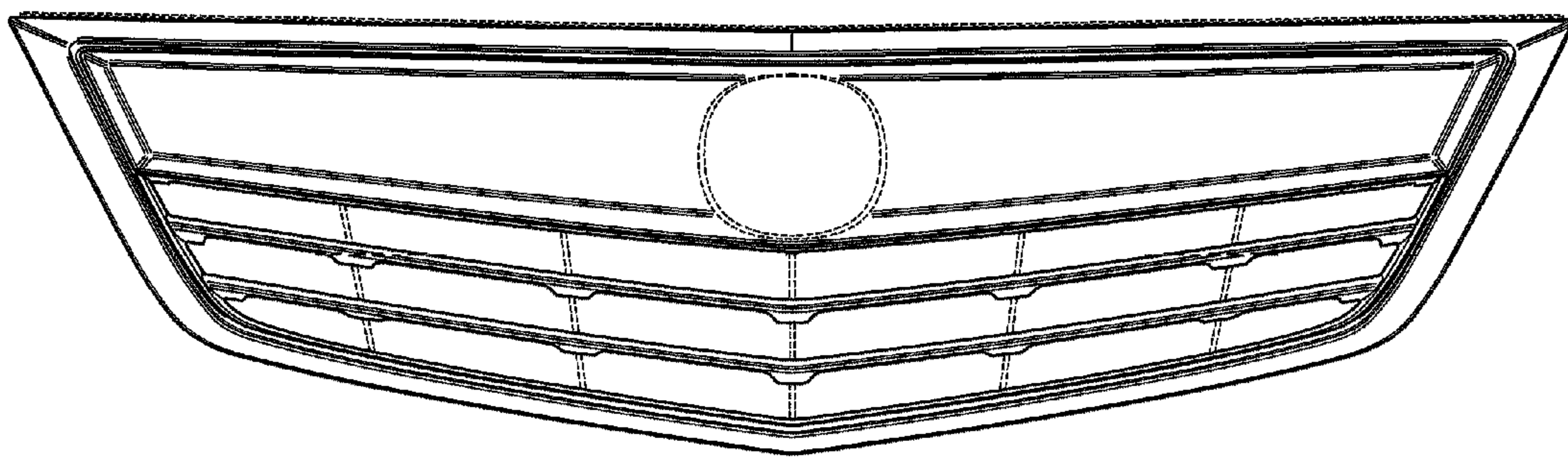


FIG.2

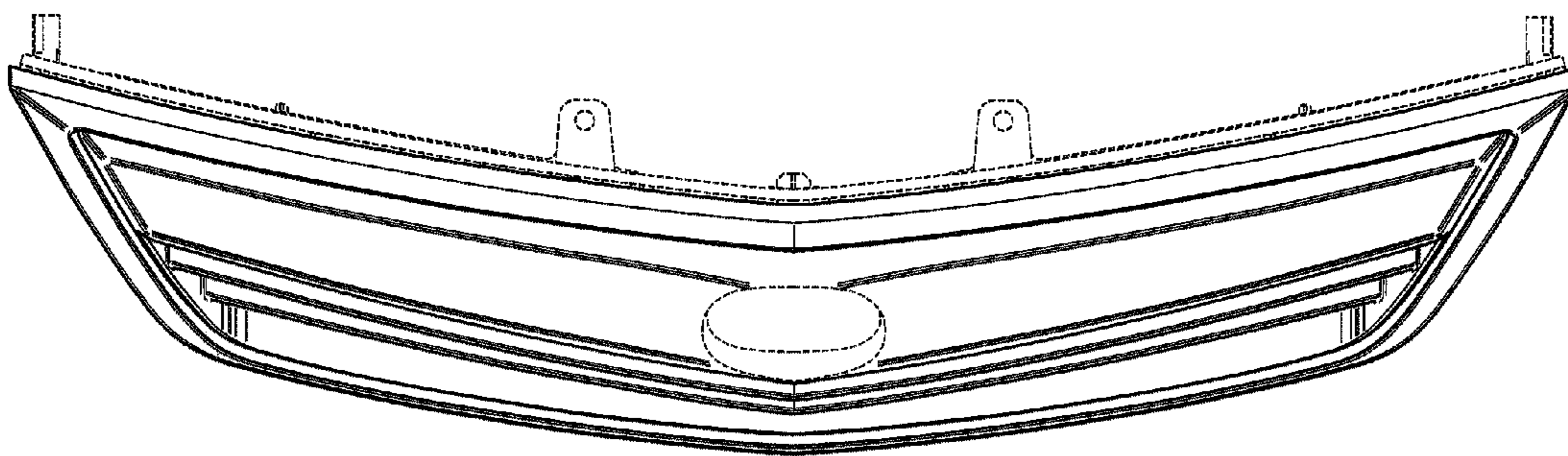


FIG.3

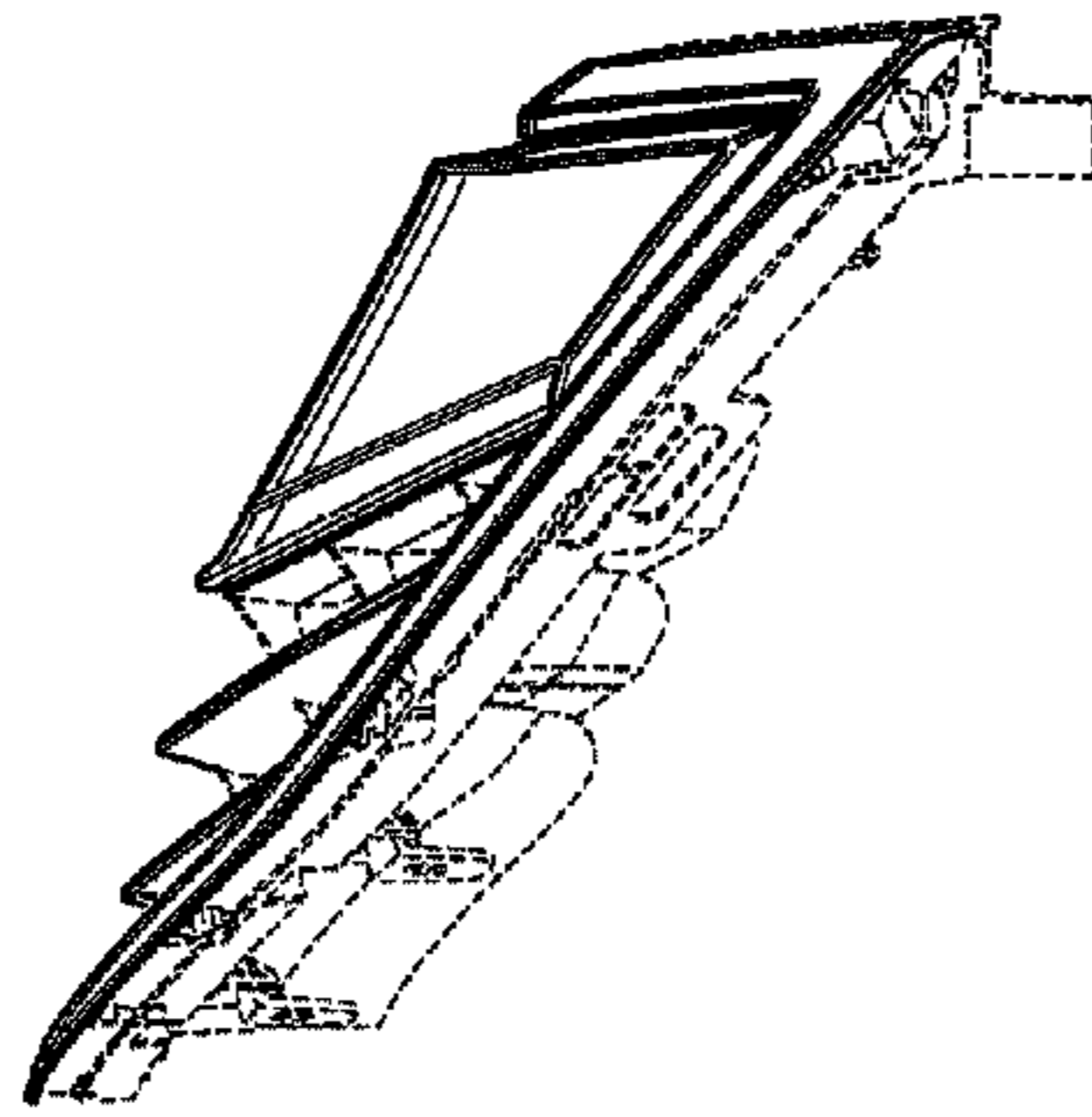


FIG.4

