



US00D645793S

(12) **United States Design Patent**
Wu

(10) **Patent No.:** **US D645,793 S**
(45) **Date of Patent:** **** Sep. 27, 2011**

(54) **PIPE HEAD FOR A BICYCLE**

(75) Inventor: **Yan-Ting Wu**, Chiayi (TW)

(73) Assignee: **Durashox Technology Co., Ltd.**,
Taichung Hsien (TW)

(**) Term: **14 Years**

(21) Appl. No.: **29/381,443**

(22) Filed: **Dec. 20, 2010**

(51) **LOC (9) Cl.** **12-11**

(52) **U.S. Cl.** **D12/117**

(58) **Field of Classification Search** D12/111,
D12/114, 117, 118; 280/274-280, 281.1,
280/288.1-288.4, 283-288
See application file for complete search history.

(56) **References Cited**

U.S. PATENT DOCUMENTS

4,051,704	A *	10/1977	Kimura	72/58
4,728,113	A *	3/1988	Thun, Jr.	280/281.1
D330,877	S *	11/1992	Muller et al.	D12/117
D510,059	S *	9/2005	Hickman	D12/117
7,506,528	B2 *	3/2009	Chamberlain	72/370.01

7,837,211 B2 * 11/2010 Falke et al. 280/280
* cited by examiner

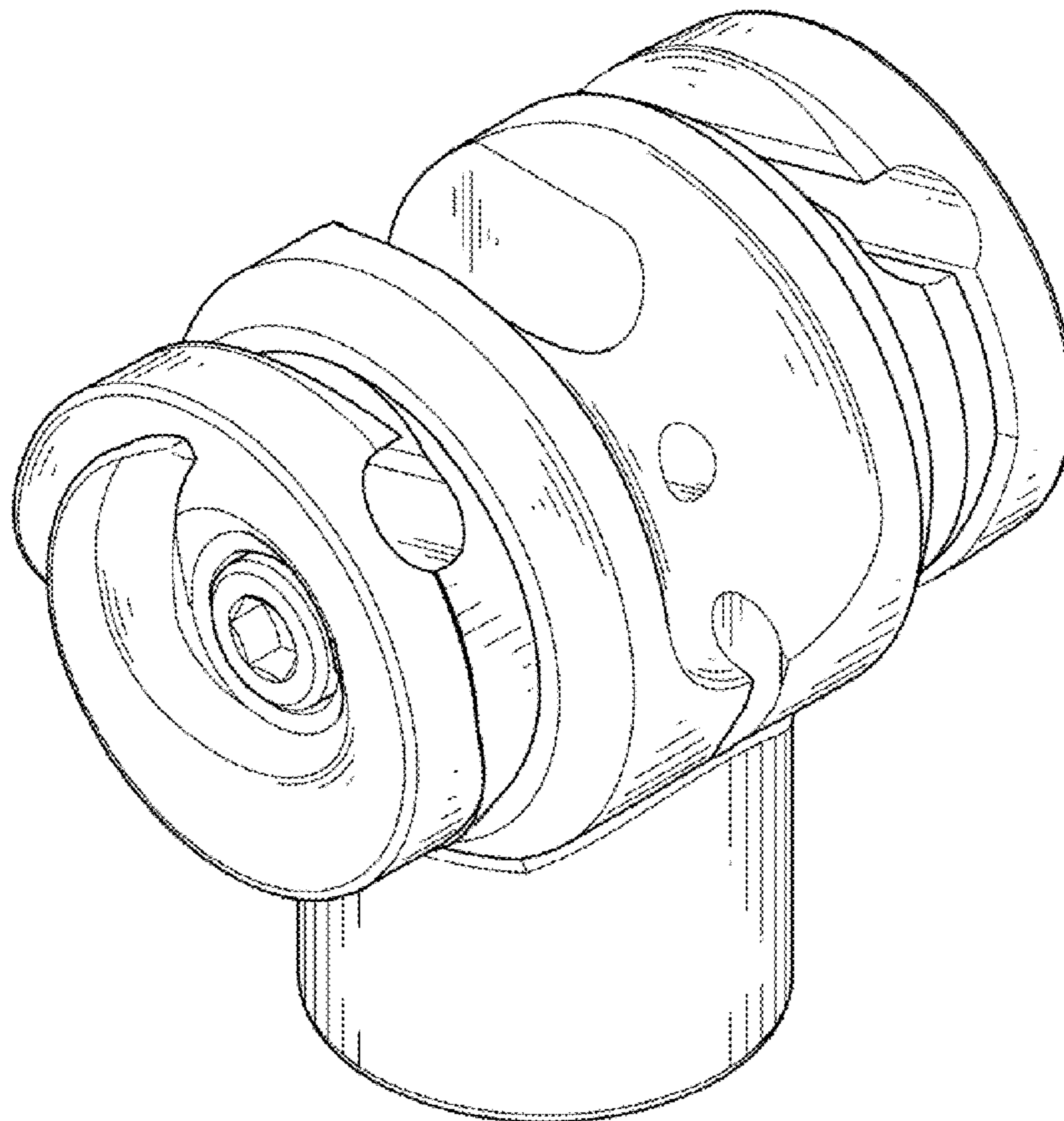
Primary Examiner — Susan M Lee
Assistant Examiner — Linda G. Brooks
(74) *Attorney, Agent, or Firm* — CKC & Partners Co., Ltd.

(57) **CLAIM**
The ornamental design for a pipe head for a bicycle, as shown and described.

DESCRIPTION

FIG. 1 is a perspective view of a pipe head for a bicycle showing my new design;
FIG. 2 is a front view thereof;
FIG. 3 is a rear view thereof;
FIG. 4 is a left side view thereof;
FIG. 5 is a right side view thereof;
FIG. 6 is a top view thereof;
FIG. 7 is a bottom view thereof;
FIG. 8 is a perspective view thereof, with environmental structure shown in broken lines that forms no part of the claimed design; and,
FIG. 9 is another perspective view thereof, with different environmental structure shown in broken lines that forms no part of the claimed design.

1 Claim, 6 Drawing Sheets



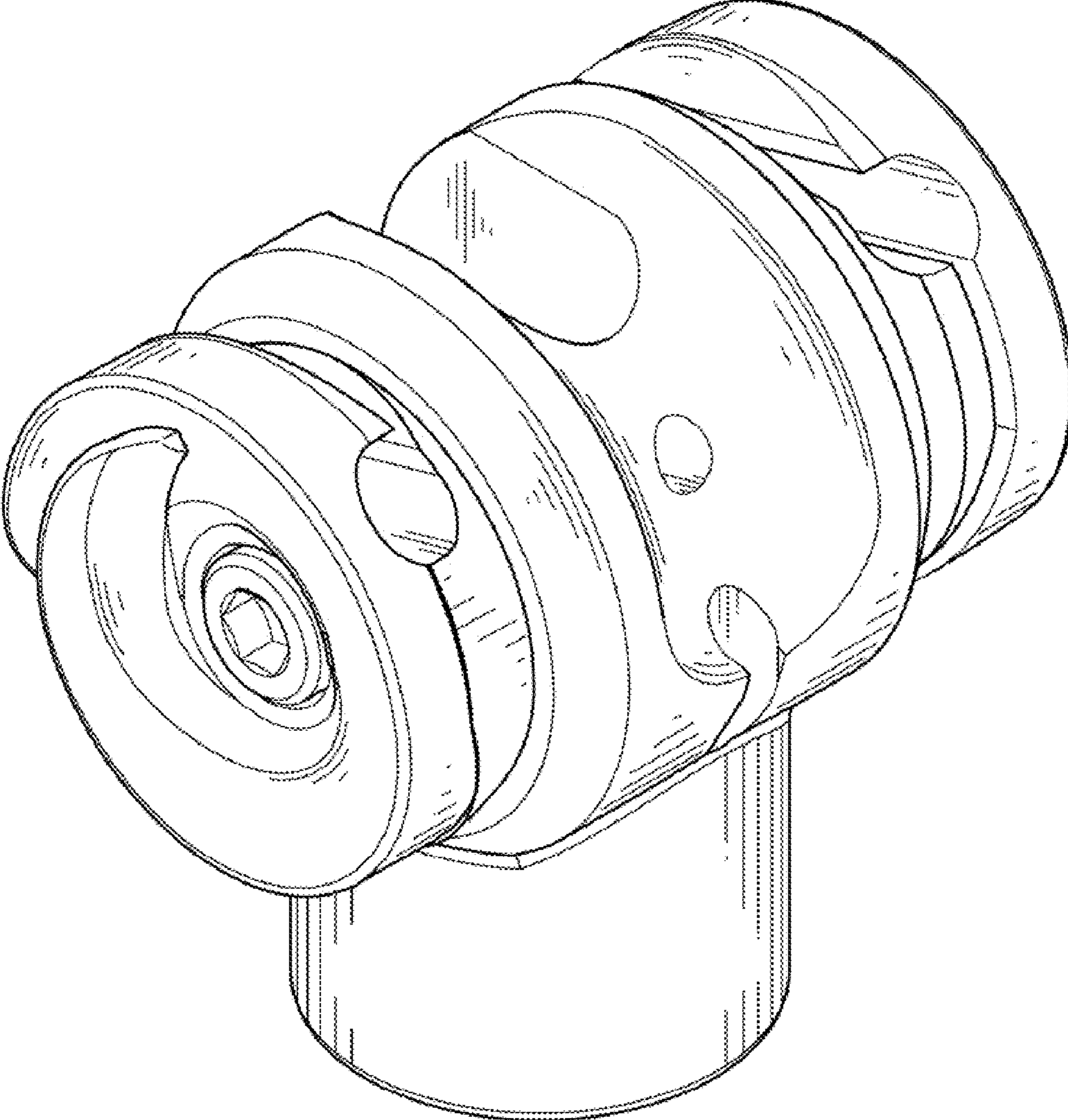


Fig. 1

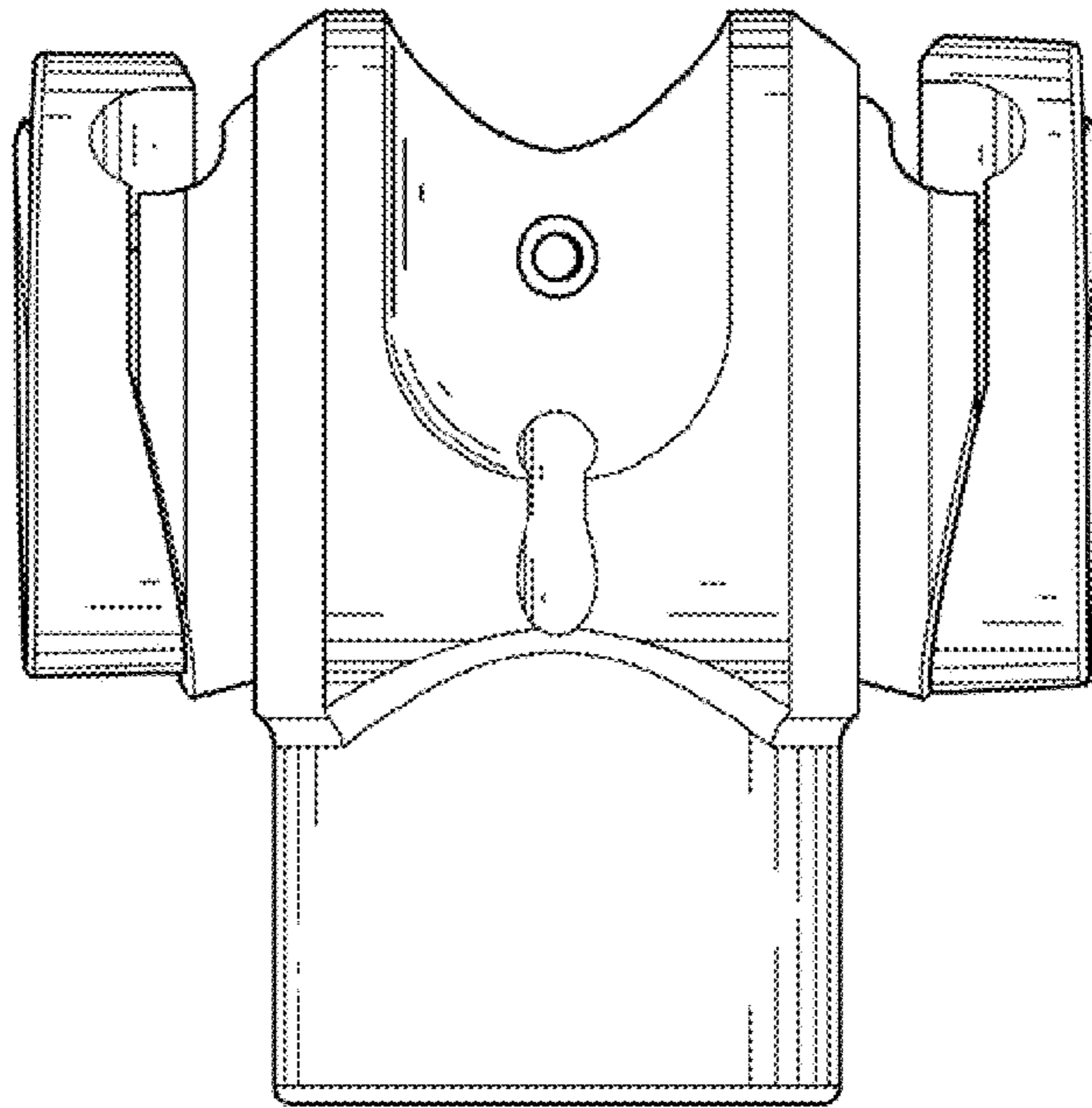


Fig. 2

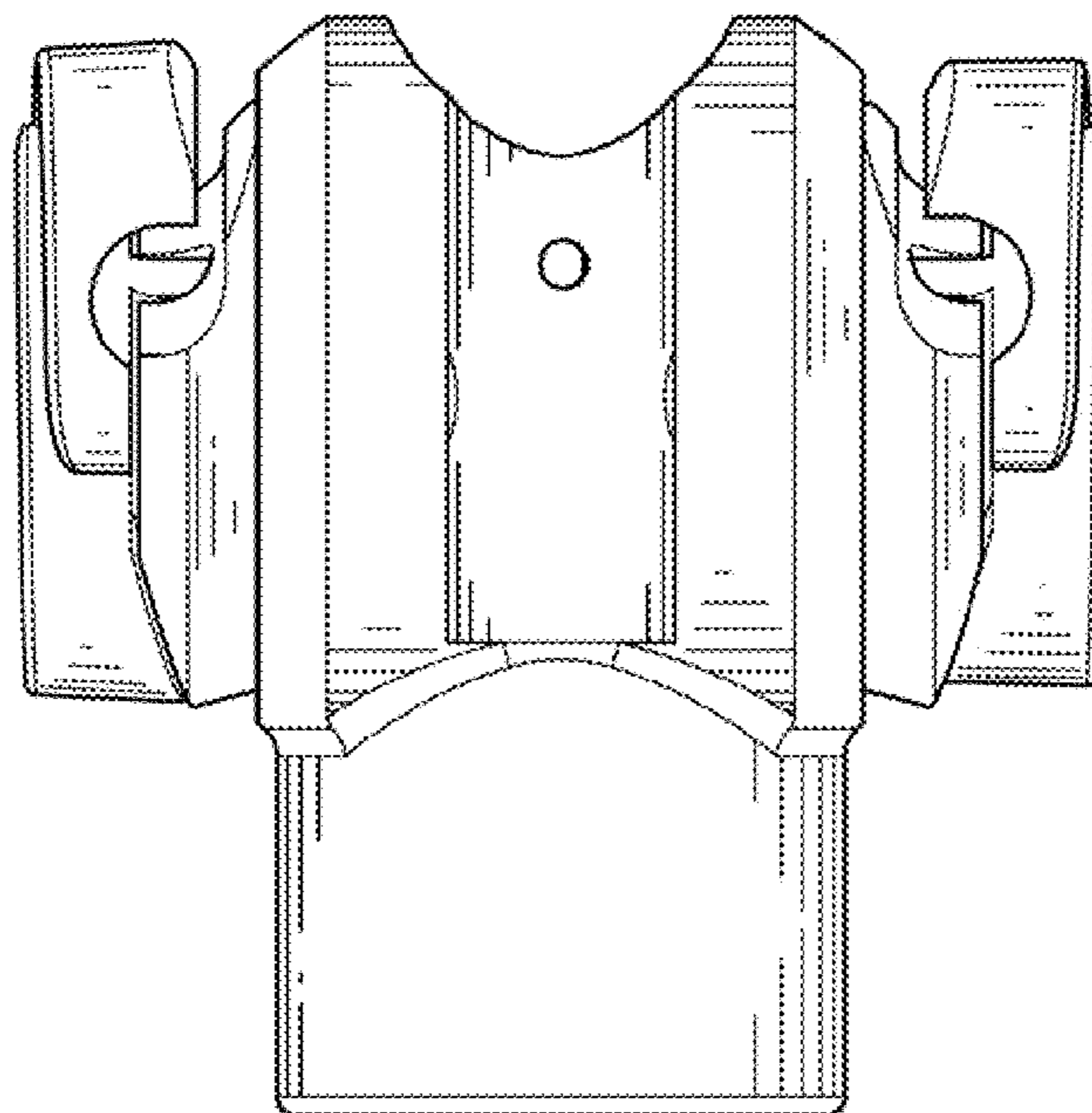


Fig. 3

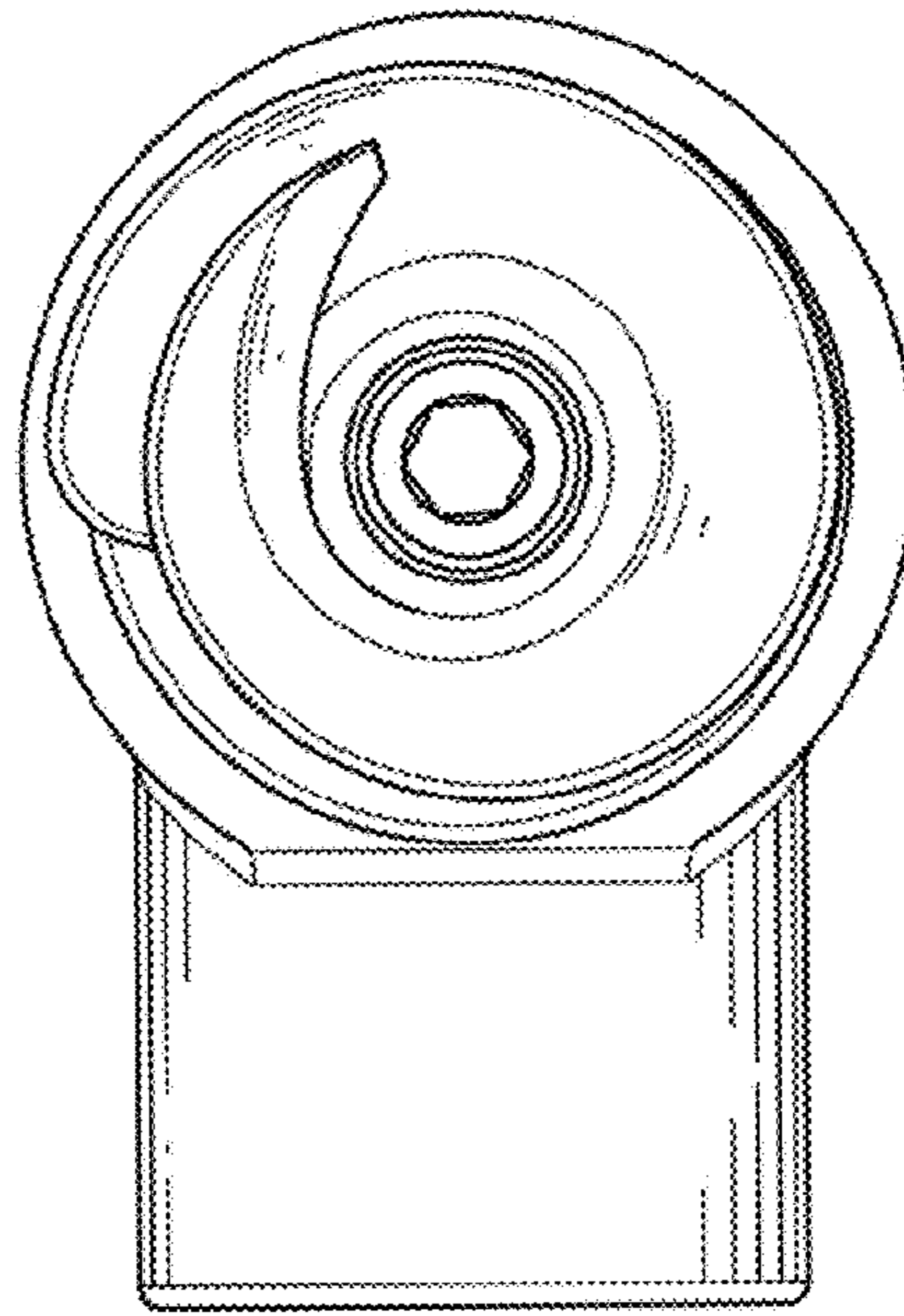


Fig. 4

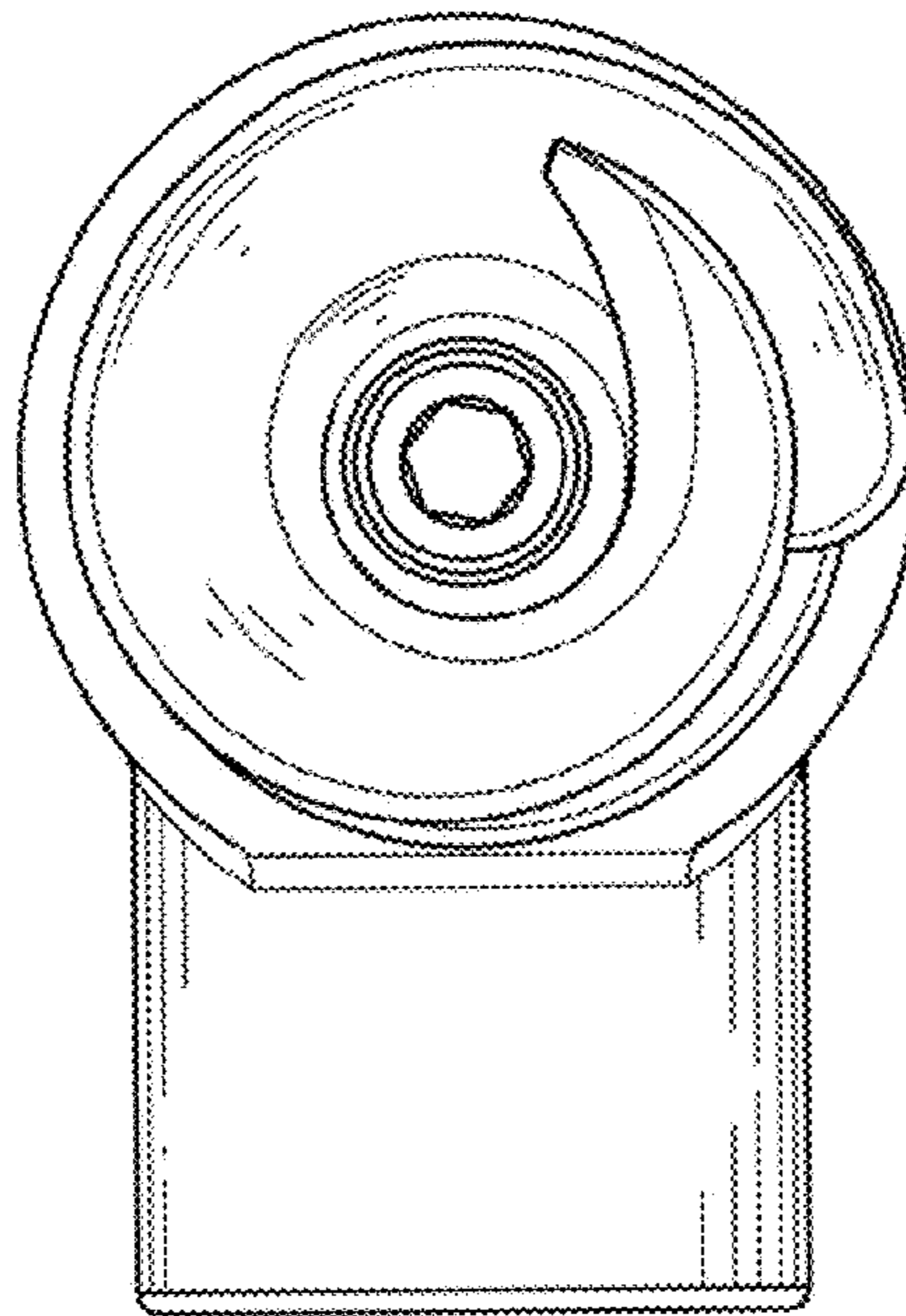


Fig. 5

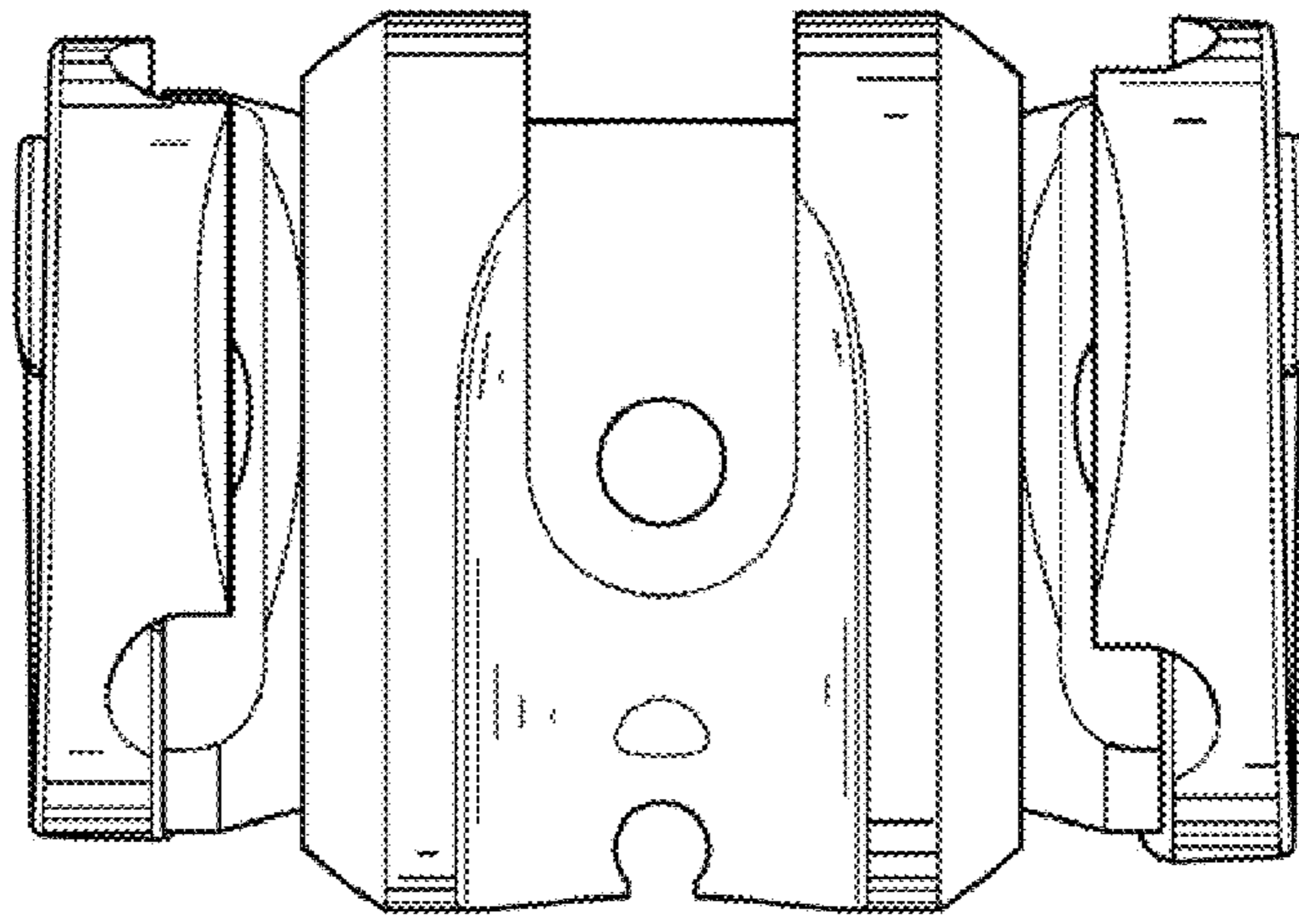


Fig. 6

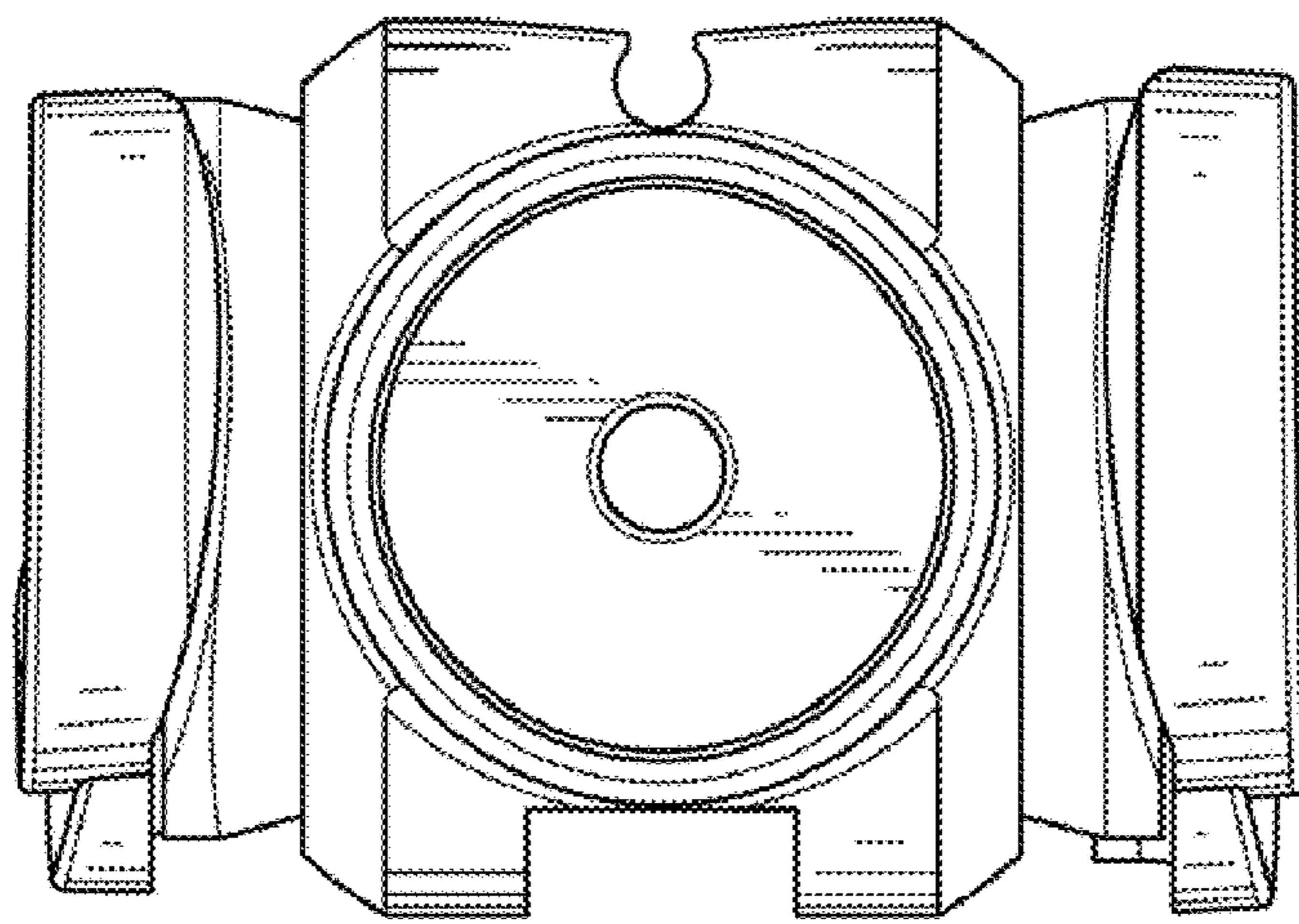


Fig. 7

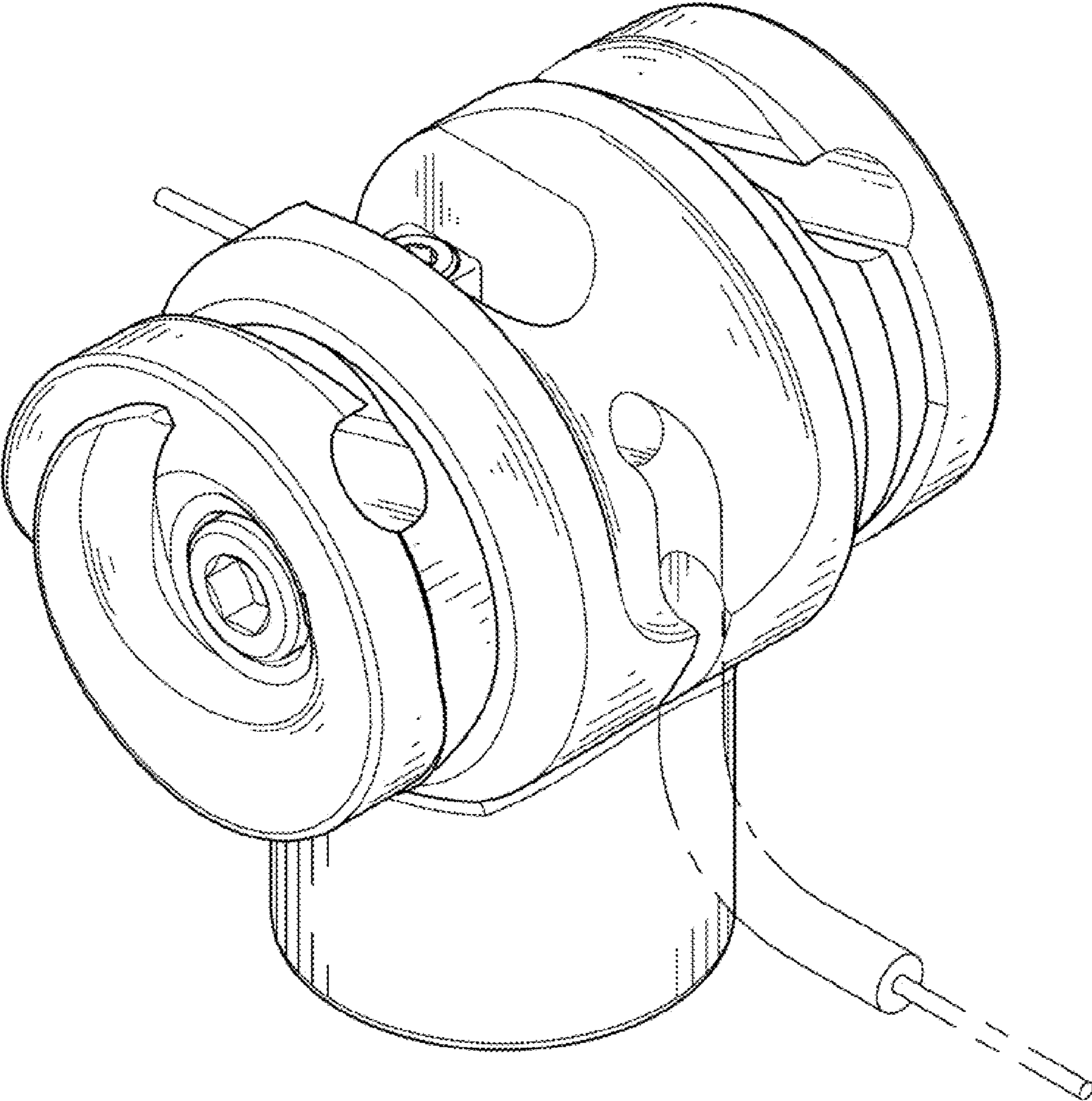


Fig. 8

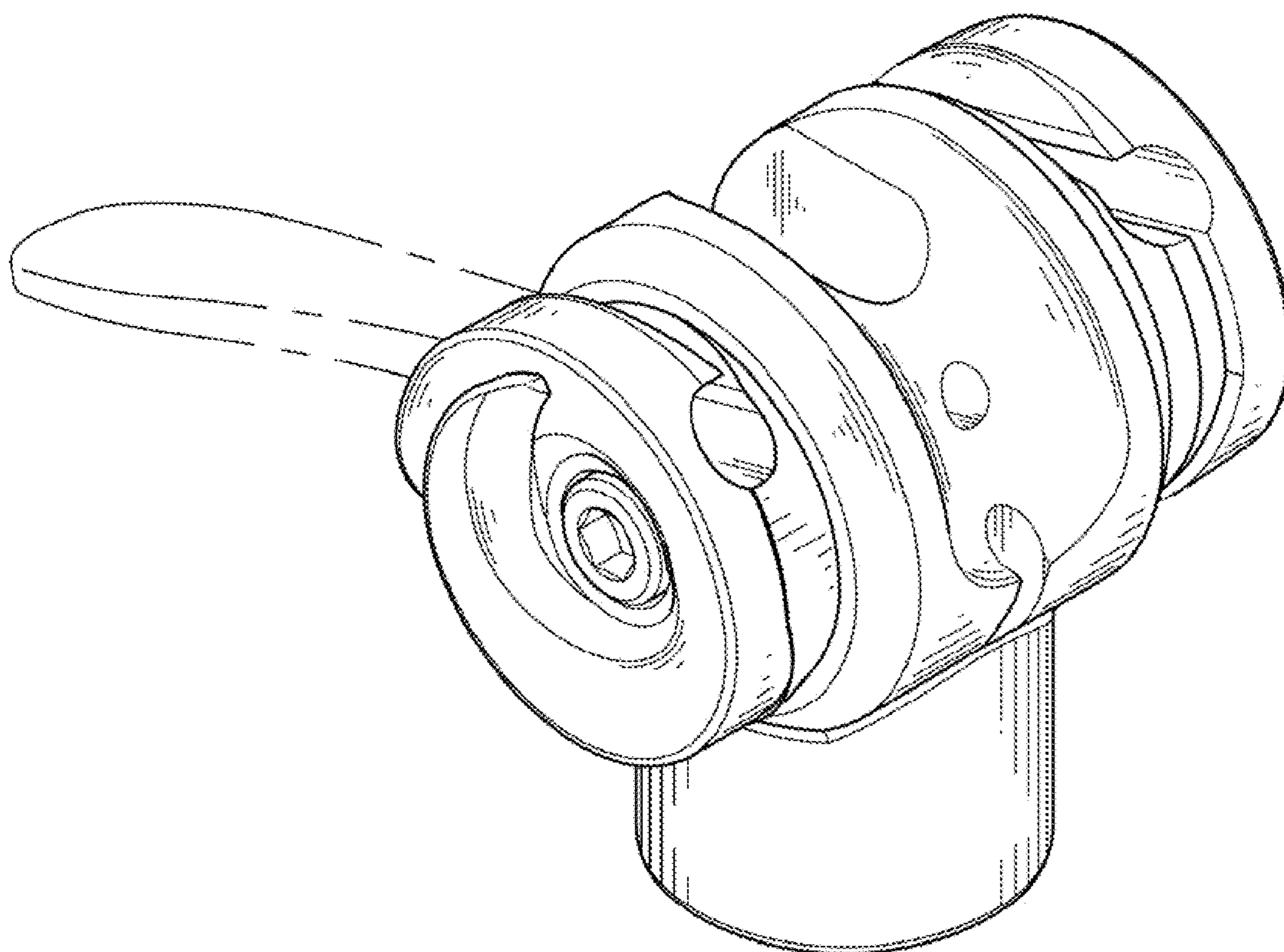


Fig. 9