



US00D645791S

(12) **United States Design Patent**
Lee

(10) **Patent No.:** **US D645,791 S**
(45) **Date of Patent:** **** Sep. 27, 2011**

(54) **MOTORBIKE**

(75) Inventor: **Andrew Lee**, Anderson, SC (US)

(73) Assignee: **Techtronic Outdoor Products Technology Limited**, Hamilton (BM)

(**) Term: **14 Years**

(21) Appl. No.: **29/362,734**

(22) Filed: **May 28, 2010**

(51) **LOC (9) Cl.** **12-11**

(52) **U.S. Cl.** **D12/110**

(58) **Field of Classification Search** D12/110,
D12/111; 180/219, 220, 65.1–65.6, 205–207,
180/312, 227, 291, 230, 231; 280/274–280,
280/281.1, 288.1–288.3, 284

See application file for complete search history.

(56) **References Cited**

U.S. PATENT DOCUMENTS

2,445,058	A *	7/1948	Fields	180/335
3,101,822	A *	8/1963	Clemens	477/209
3,212,791	A *	10/1965	Edwins	280/275
D446,476	S *	8/2001	Wallace et al.	D12/110
D591,203	S *	4/2009	Martin	D12/110

OTHER PUBLICATIONS

VintageCat, 1968 Rupp Catalogue of Minibikes, cited at <http://www.ruppbikes.com/vintageCat.aspx>, dated Sep. 29, 2009 (1 page).

Rupp TT500: 5 HP TT500 Minibike, Rupp Catalogue 1968, cited at <http://www.ruppbikes.com/images/Rupp8.jpg>, dated Sep. 29, 2009 (1 page).

Friendly Fun Cycles, XL-350 Minibike, Rupp Catalogue 1968, cited at <http://www.ruppbikes.com/images/Rupp9.jpg>, dated Sep. 29, 2009 (1 page).

Rupp C-250 and Rupp C-220 (Cub) Minibikes, Rupp Catalogue 1968, cited at <http://www.ruppbikes.com/images/rupp11.jpg>, dated Sep. 29, 2009(1 page).

'Lil' Indian Mini-Bike, Apr. 1965, cited at <http://www.oldminibikes.com/images/lilindian/lilindian2.jpj>, dated Oct. 8, 2009 (1 page).

Cover page of Fox Mini-Bikes Catalog No. 9—1969 .

Cover page of "Turn on the Fun with Fox" Mini-Bikes Catalog No. 10—1970.

Meyers Lynx 65, 63, 53, and Meyers Lynx Club Minibikes, B.F. Meyers & Co., MCart dated 1968 (1 page).

Minibike Manufactures in the last 59 years, produced on May 26, 2010—MMIPHOTOS0000000048—Case No. 2:10-cv-00496-JAT, *MMI, Inc. v. Baja, Inc.* (1 page).

Sears E-Start Minibike, at <http://www.oldminibikes.com/forum/photopost/search.php?searchid=8341&cpage=5> dated Mar. 27, 2009 (1 page).

Sensation "Mike Bike" MB-61 or MB-6B Minibike at <http://www.oldminibikes.com/forum/photopost/search.php?searchid=8342> dated Mar. 28, 2009 (1 page).

Trail Horse Minibike at <http://www.oldminibikes.com/forum/photopost/search.php?searchid=8343&cpage=1> dated Sep. 16, 2010 (1 page).

(Continued)

Primary Examiner — Susan M Lee

Assistant Examiner — Linda G. Brooks

(74) *Attorney, Agent, or Firm* — Michael Best & Friedrich LLP

(57) **CLAIM**

The ornamental design for a motorbike, as shown and described.

DESCRIPTION

FIG. 1 is a front and left side perspective view showing my new design.

FIG. 2 is a left side view thereof.

FIG. 3 is a right side view thereof.

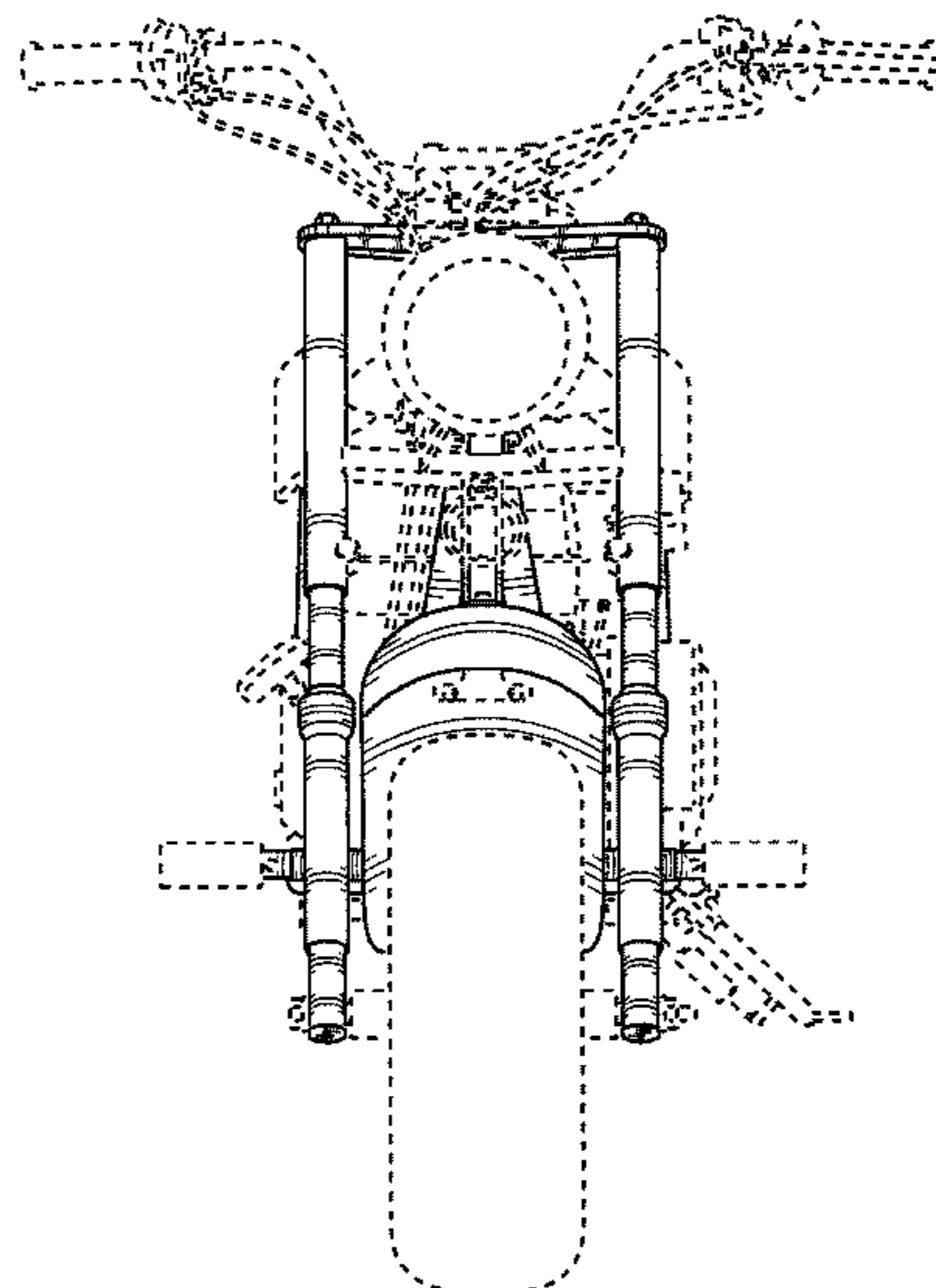
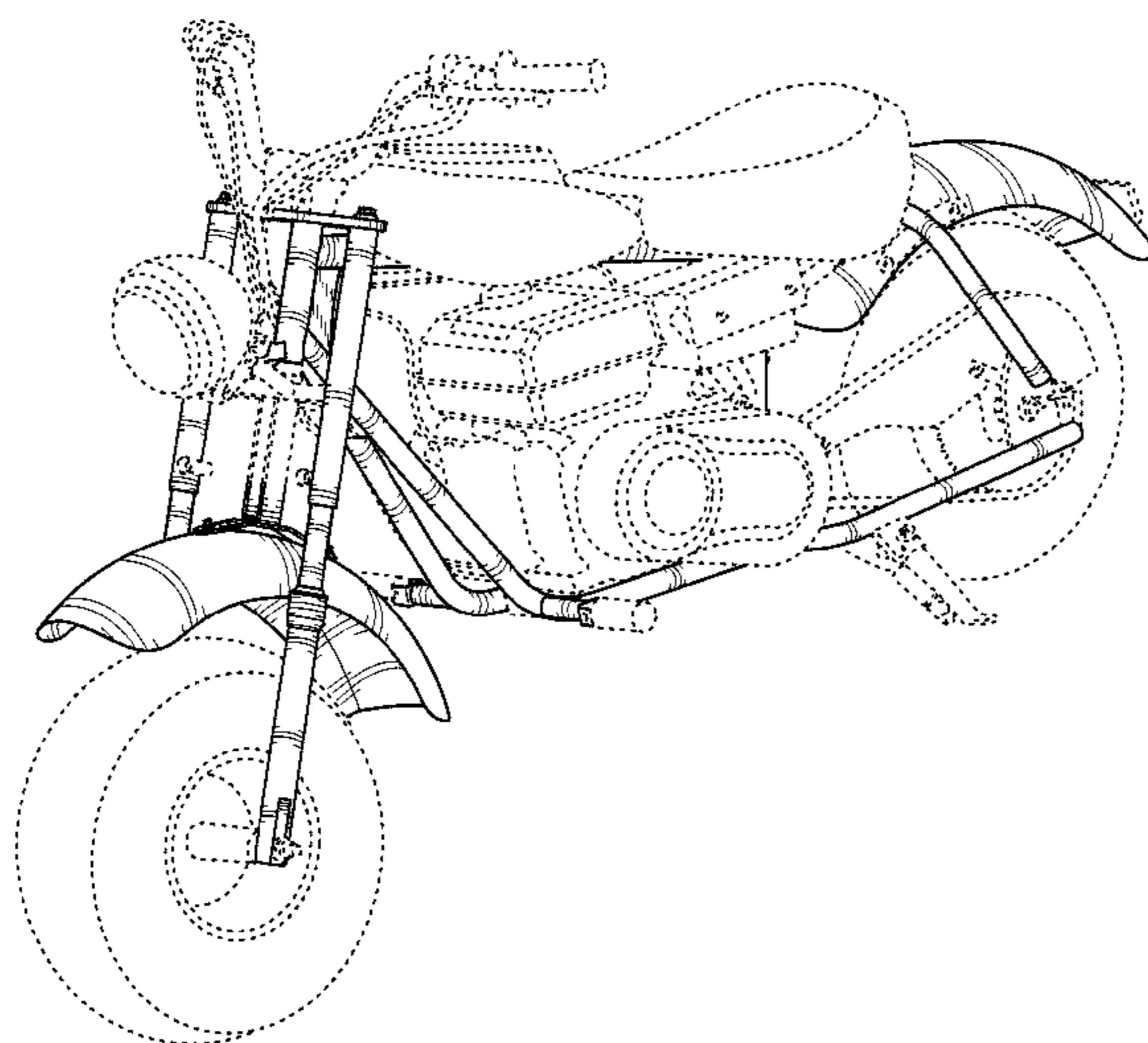
FIG. 4 is a top view thereof.

FIG. 5 is a front view thereof; and,

FIG. 6 is a rear view thereof.

The portions of the motorbike shown in broken lines form no part of the claimed design.

1 Claim, 5 Drawing Sheets



OTHER PUBLICATIONS

Trail Bronc VT-5 Bike at <http://www.oldminibikes.com/images/superbronc/superbronc8.jpg>, produced on May 26, 2010—MMIPHOTOS0000000052—Case No. 2:10-cv-00496-JAT, *MMI, Inc. v. Baja, Inc.* (1 page).

Lil Sears Minibike at <http://www.oldminibikes.com/forum/photopost/search.php?searchid=8348> dated May 28, 2009 (1 page). Lil Indian Minibike, Apr. 1965, at <http://www.oldminibikes.com/images/lilindian/lilindian.jpg> (1 page).

Rupp C250, Rupp C220 Cub Minibike, 1968 Rupp Catalogue of Minibikes, at <http://www.oldminibikes.com/images/rupp/rupp-broc11.jpg> (1 page).

Powell Challenger, at <http://www.oldminibikes.com/vintage-mini-bikes/powell/> produced on May 26, 2010—MMIPHOTOS0000000056—Case No. 2:10-cv-00496-JAT, *MMI, Inc. v. Baja, Inc.* (1 page).

Rupp C-250 and Rupp C-220 (Cub) Minibikes, Rupp Catalogue 1968, cited at <http://www.ruppbikes.com/images/rupp11.jpg>, (1 page).

Rupp Black Widow, at <http://www.oldminibikes.com/images/rupp/blackwidow2.jpg>, produced on May 26, 2010—MMIPHOTOS0000000058—Case No. 2:10-cv-00496-JAT, *MMI, Inc. v. Baja, Inc.* (1 page).

Arctic Cat ST, Model SSSCAT 1 Minibike, 1972 at <http://www.oldminibikes.com/vintage-mini-bikes/arctic-cat/#70ssscatist>, produced on May 26, 2010—MMIPHOTOS0000000059—Case No. 2:10-cv-00496-JAT, *MMI, Inc. v. Baja, Inc.* (1 page).

El Burro Sand n Sno Minibike, Worth Industrial Processing Co., Lexington, Michigan (1971) at http://www.oldminibikes.com/images/elburro/elburro_3.jpg, produced on May 26, 2010—MMIPHOTOS0000000060—Case No. 2:10-cv-00496-JAT, *MMI, Inc. v. Baja, Inc.* (1 page).

Trail Ram Brochure, Pacesetter Enterprises, Inc., Mini-Bike Guide, p. 15 at <http://www.oldminibikes.com/images/trailram/trailram.jpg>, produced on May 26, 2010—MMIPHOTOS0000000061—Case No. 2:10-cv-00496-JAT, *MMI, Inc. v. Baja, Inc.* (1 page).

Cat 250X Minibike, Jan. 2, 1995 at http://www.oldminibikes.com/images/cat/cat_minibike2.jpg (1 page).

Cover page of Continental Operations Manual & Maintenance Instruction for Minibike, produced on May 26, 2010—MMIPHOTOS0000000063—Case No. 2:10-cv-00496-JAT, *MMI, Inc. v. Baja, Inc.* (1 page).

Bonanza, Major Minibike, Cycle World, Dec. 1968 at http://www.oldminibikes.com/images/bonanza/bonanza_bronco.jpg (1 page).

'90's Manco Trail Scout 6 hp Minibike, Nov. 16, 2008, at <http://www.oldminibikes.com/forum/photopost/search.php?searchid=8299> (1 page).

Rupp, Old School Rupp Minibike, Aug. 14, 2008, at <http://www.oldminibikes.com/forum/photopost/search.php?searchid=8300> (1 page).

Taco 22, Taco 55, Taco 33 Minibikes, 1966 Steen's Catalog No. 6, at http://www.steenstacomini-bikes.com/Catalogs_and_Brochures.html (1 page).

Fox Doodlebug Minibike, Jun. 30, 2008 at <http://www.oldminibikes.com/forum/photopost/search.php?searchid=8326&cpage=4> (1 page).

Flexo_3 Minibike, Apr. 11, 2009 at <http://www.oldminibikes.com/forum/photopost/search.php?searchid=8302> (1 page).

Keysone 2 Stroke Minibike, Aug. 25, 2007 at <http://www.oldminibikes.com/forum/photopost/search.php?searchid=8303&cpage=2> (1 page).

Gibson 5hp 2 speed-2 Minibike, Dec. 8, 2008 at <http://www.oldminibikes.com/forum/photopost/search.php?searchid=8304&cpage=3> (1 page).

K&S Project Completed Minibike, Sep. 20, 2008 at <http://www.oldminibikes.com/forum/photopost/search.php?searchid=8305> (1 page).

Bonanza MX 1410 Minibike at http://www.oldminibikes.com/images/bonanza/bonanza_mx_1410.jpg produced on May 26, 2010—MMIPHOTOS0000000021—Case No. 2:10-cv-00496-JAT, *MMI, Inc. v. Baja, Inc.* (1 page).

Nova Tote Gote Minibike, Jul. 29, 2009 at <http://www.oldminibikes.com/forum/photopost/search.php?searchid=8320&cpage=3> (1 page).

Go Devil Minibike, Jul. 19, 2007 at <http://www.oldminibikes.com/forum/photopost/search.php?searchid=8307> (1 page).

Super Bronc Minibike, Jul. 19, 2009 at <http://www.oldminibikes.com/forum/photopost/search.php?searchid=8308&cpage=3> (1 page).

Test—Mini Bike Trailmaster, Jun. 1964 at <http://www.oldminibikes.com/images/trailmaster/trailmaster2.jpg> (1 page).

Caper Cycle-KingFisher Minibike, Ben hunt Mfg. Co., Walla Walla, Washington at http://www.oldminibikes.com/images/capercycle/caper_cycle_kingfisher.JPG, produced on May 26, 2010—MMIPHOTOS0000000002—Case No. 2:10-cv-00496-JAT, *MMI, Inc. v. Baja, Inc.* (1 page).

Rupp Rascal Minibike, Apr. 26, 2009 at <http://www.oldminibikes.com/forum/photopost/search.php?searchid=8309> (1 page).

Ruttman clutch Minibike, Jul. 17, 2009 at <http://www.oldminibikes.com/forum/photopost/search.php?searchid=8351&cpage=7> (1 page).

Manco Minibike, Dec. 15, 2007, at <http://www.oldminibikes.com/forum/photopost/search.php?searchid=8318&cpage=7> (1 page).

Montgomery Wards Minibike, Apr. 3, 2009 at <http://www.oldminibikes.com/forum/photopost/search.php?searchid=8316> (1 page).

Gilson_Minibike_0023, Aug. 24, 2009 at <http://www.oldminibikes.com/forum/photopost/search.php?searchid=8352> (1 page).

Taco Frijole Mini-bikes, Honda of North Hollywood, at <http://www.oldminibikes.com/images/taco/tacobrochure2.jpg>, produced May 26, 2010—MMIPHOTOS0000000008—Case No. 2:10-cv-00496-JAT, *MMI, Inc. v. Baja, Inc.* (1 page).

Aggie Minibike, Nov. 17, 2008 at <http://www.oldminibikes.com/forum/photopost/search.php?searchid=8315> (1 page).

Herters Mark II Minibike, Feb. 27, 2009 at <http://www.oldminibikes.com/forum/photopost/search.php?searchid=8314&cpage=2> (1 page).

Powell Challenger Minibike, Apr. 13, 2009 at <http://www.oldminibikes.com/forum/photopost/search.php?searchid=8311> (1 page).

Coleman Sport 530 Minibike at http://www.oldminibikes.com/images/coleman/coleman_5.30.jpg, produced on May 26, 2010—MMIPHOTOS00000000121—Case No. 2:10-cv-00496-JAT, *MMI, Inc. v. Baja, Inc.* (1 page).

* cited by examiner

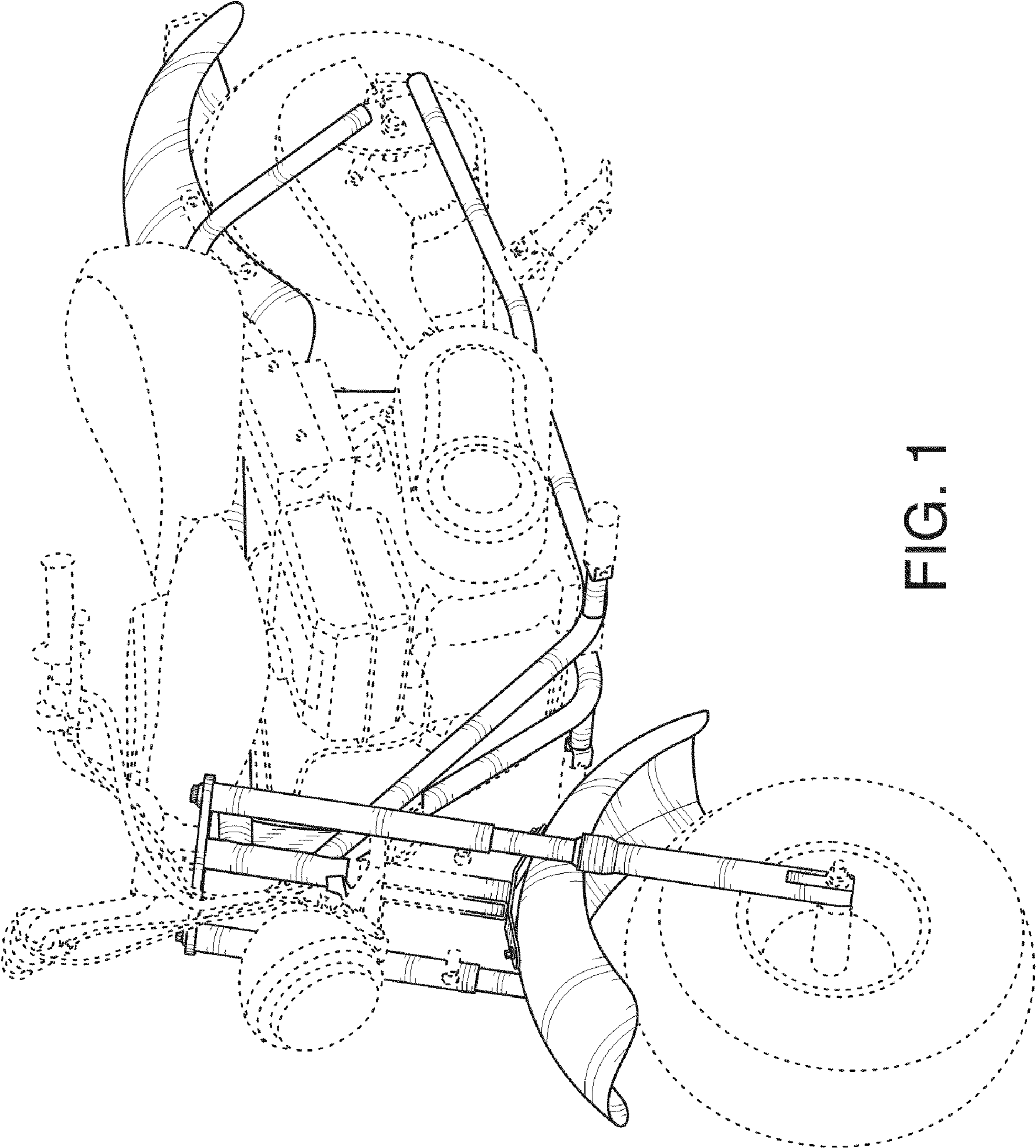


FIG. 1

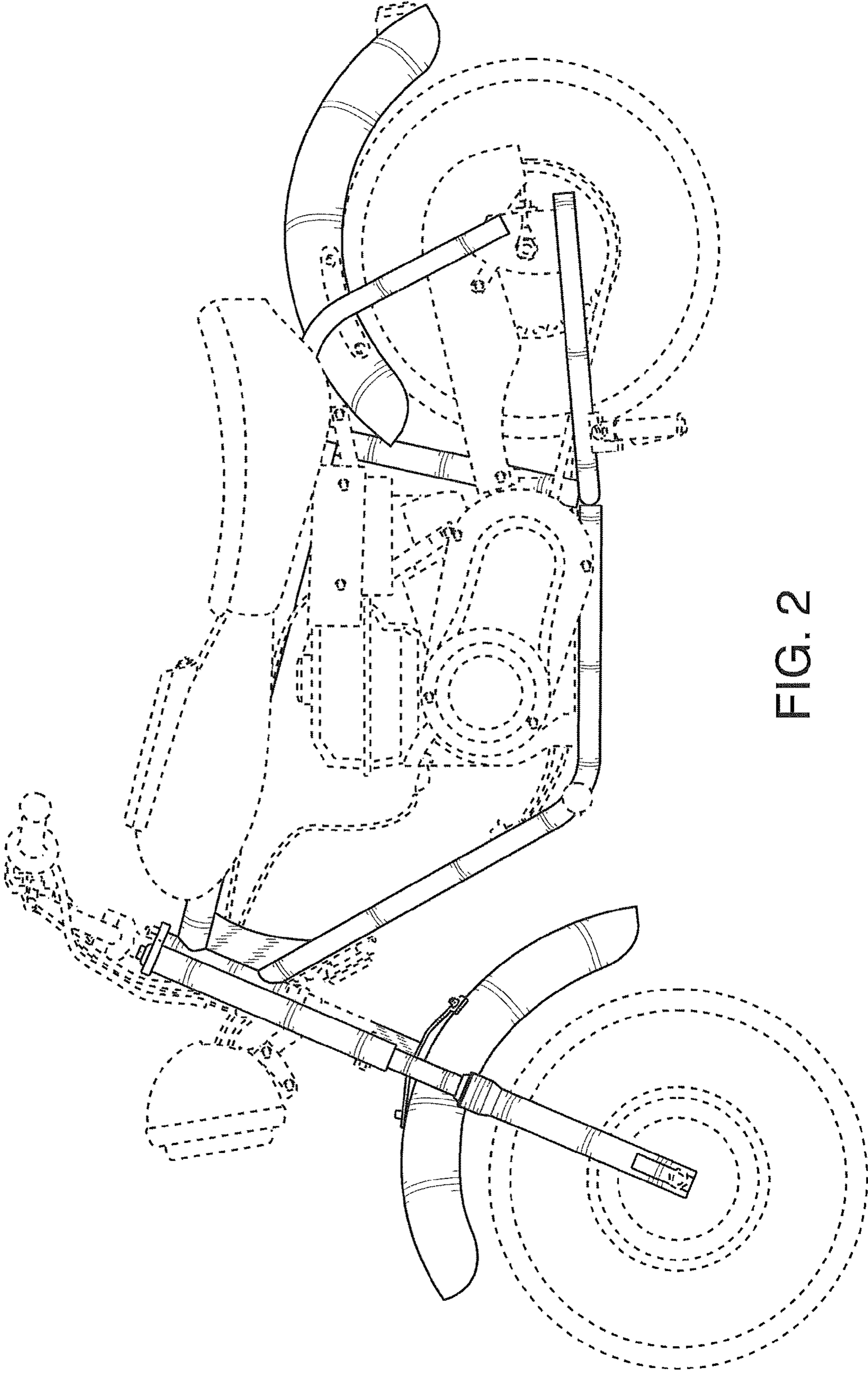


FIG. 2

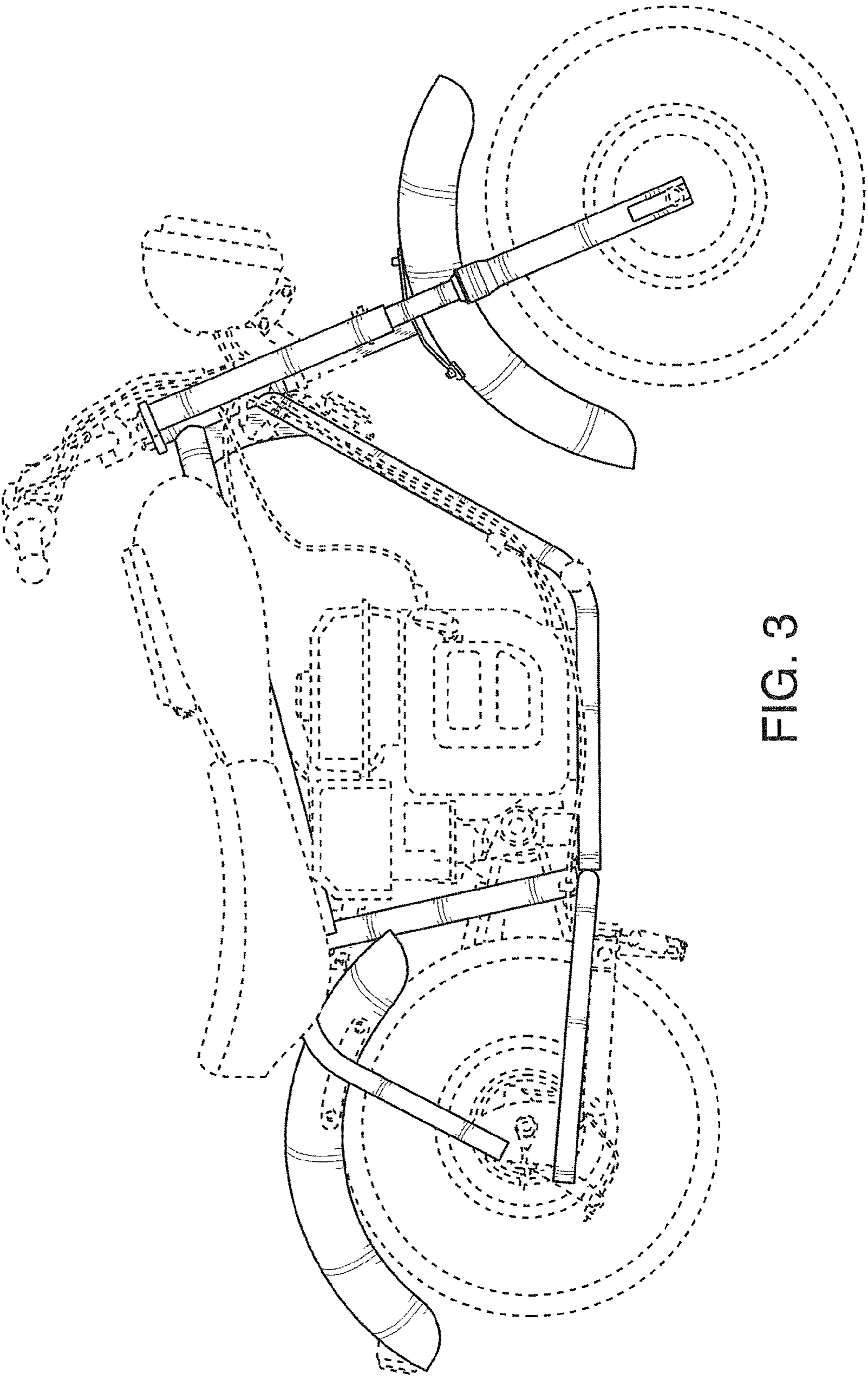


FIG. 3

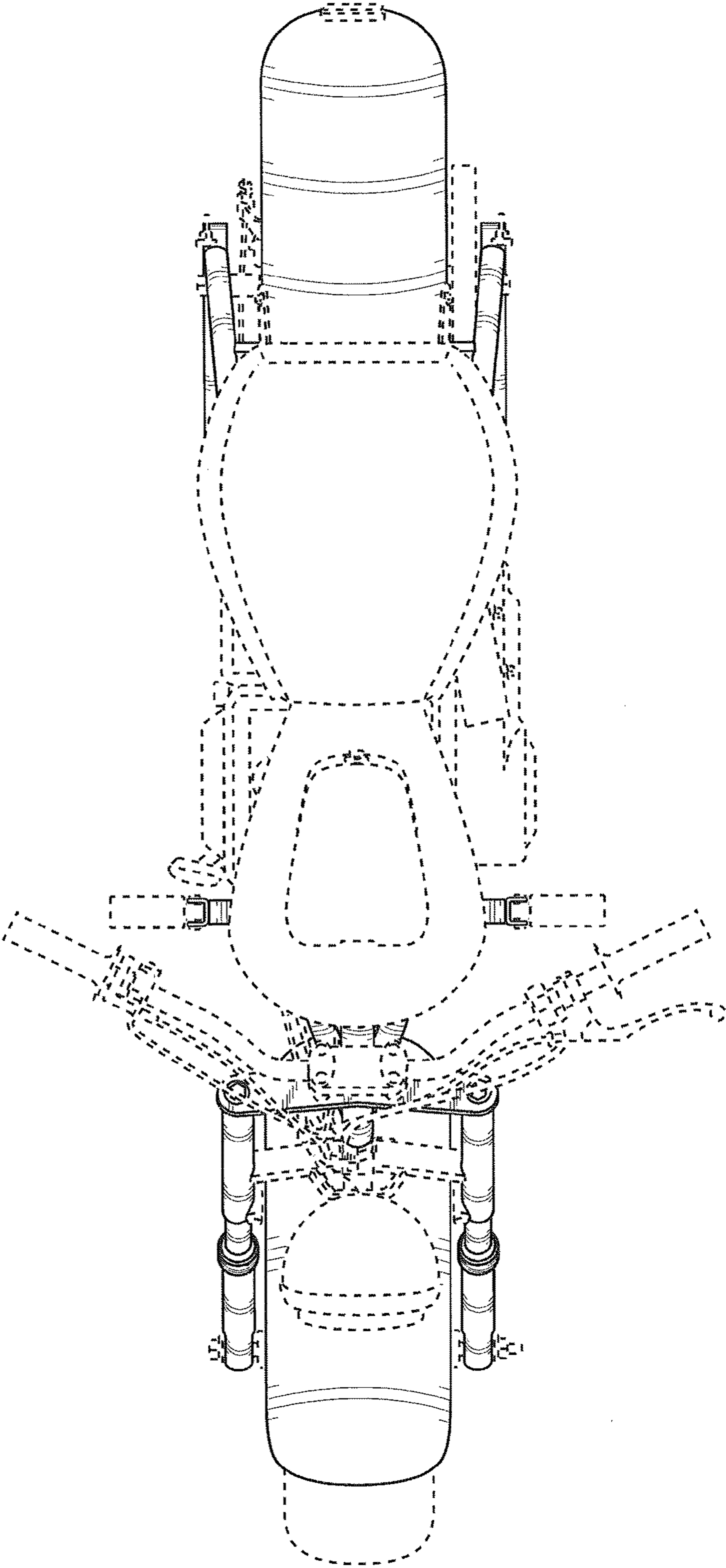


FIG. 4

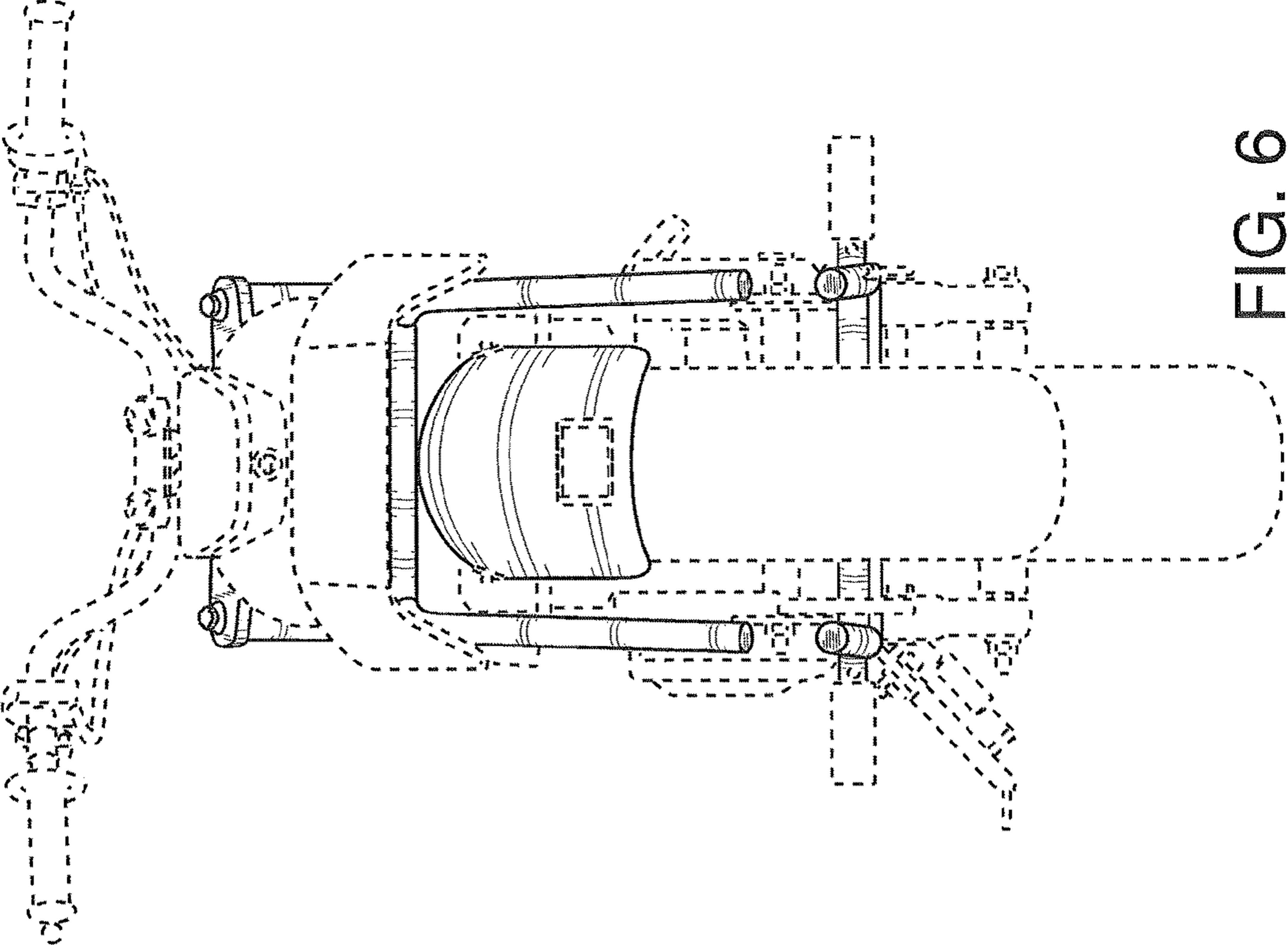


FIG. 6

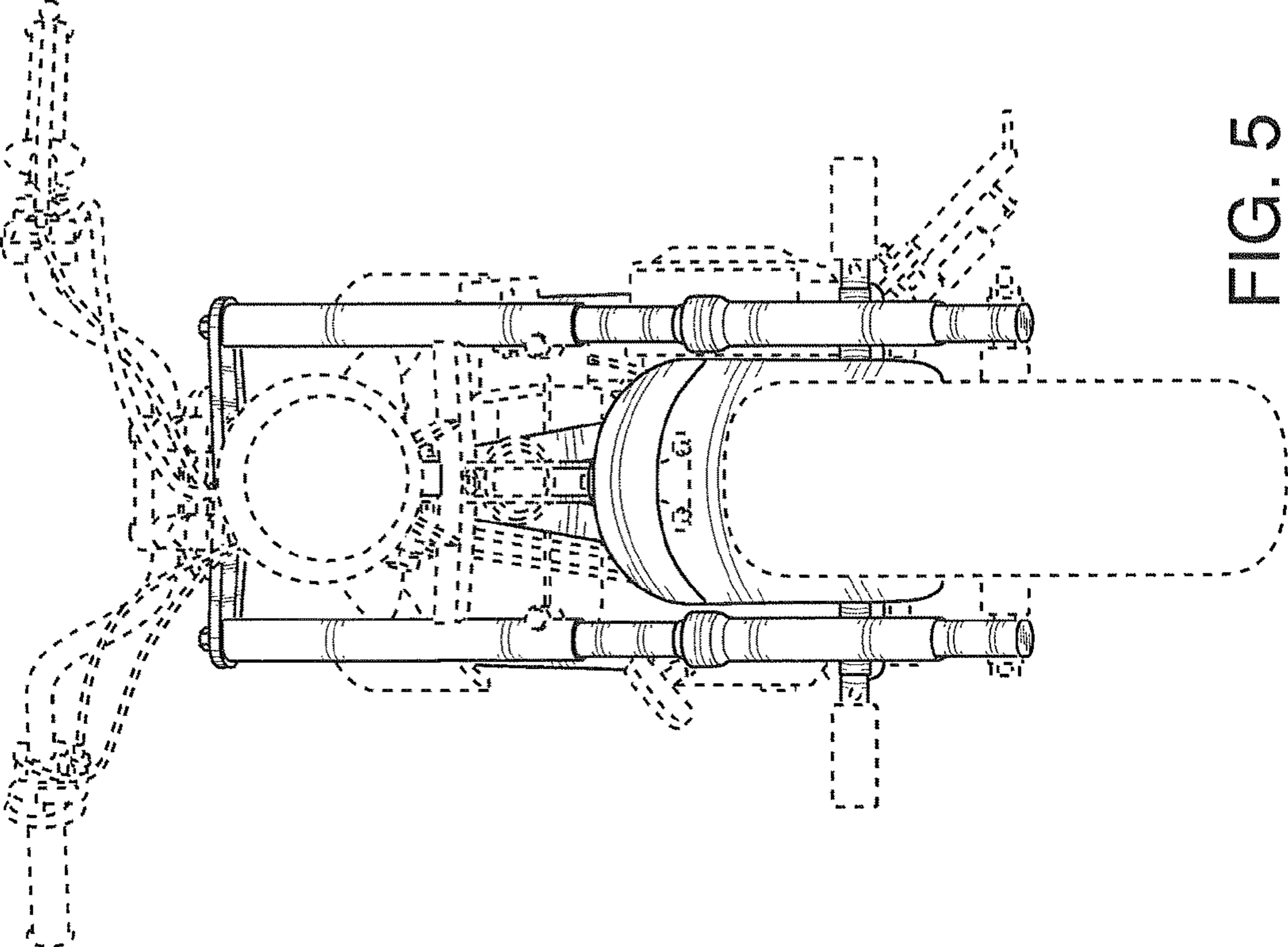


FIG. 5