



US00D645786S

(12) **United States Design Patent**
Pedersen et al.

(10) **Patent No.:** **US D645,786 S**

(45) **Date of Patent:** **** Sep. 27, 2011**

(54) **STAND-UP SNOW SLED**

(76) Inventors: **Bradley D. Pedersen**, Mississauga (CA); **Kyle Jeffs**, Mississauga (CA)

(**) Term: **14 Years**

(21) Appl. No.: **29/376,260**

(22) Filed: **Oct. 4, 2010**

(51) **LOC (9) Cl.** **12-14**

(52) **U.S. Cl.** **D12/8**

(58) **Field of Classification Search** D12/1,
D12/110-113, 6-11, 128, 129, 130; D21/419-435,
D21/766-767, 769, 760, 765, 764; 280/87.1,
280/87.021, 87.041, 263, 288.1, 288.2, 200,
280/210, 214, 29, 14.27, 14.28, 28.11, 603-607;
180/180, 181, 65.1

See application file for complete search history.

(56) **References Cited**

U.S. PATENT DOCUMENTS

D215,458	S	*	10/1969	Latch	D12/10
D224,125	S	*	7/1972	Boganowski	D12/8
5,351,975	A	*	10/1994	Petoud	280/14.28
D460,137	S	*	7/2002	Burger	D21/767
D460,720	S	*	7/2002	Aguilar	D12/8
D466,833	S	*	12/2002	Pan	D12/8
D467,199	S	*	12/2002	McClure et al.	D12/8

6,969,076	B2	*	11/2005	Spiers	280/14.28
7,104,551	B2	*	9/2006	Takahashi	280/14.25
7,374,180	B2	*	5/2008	Farmer	280/14.27
D585,332	S	*	1/2009	Marks et al.	D12/10
7,537,221	B2	*	5/2009	Lasala	280/16
2004/0017052	A1	*	1/2004	Takahashi	280/14.28
2004/0075227	A1	*	4/2004	Jungnickel	280/14.21
2005/0258609	A1	*	11/2005	Yeh	280/14.27
2007/0267827	A1	*	11/2007	Lasala	280/14.28

* cited by examiner

Primary Examiner — T. Chase Nelson

Assistant Examiner — Ania Dworzecka

(74) *Attorney, Agent, or Firm* — Gerald A. Gowan; Gowan Intellectual Property

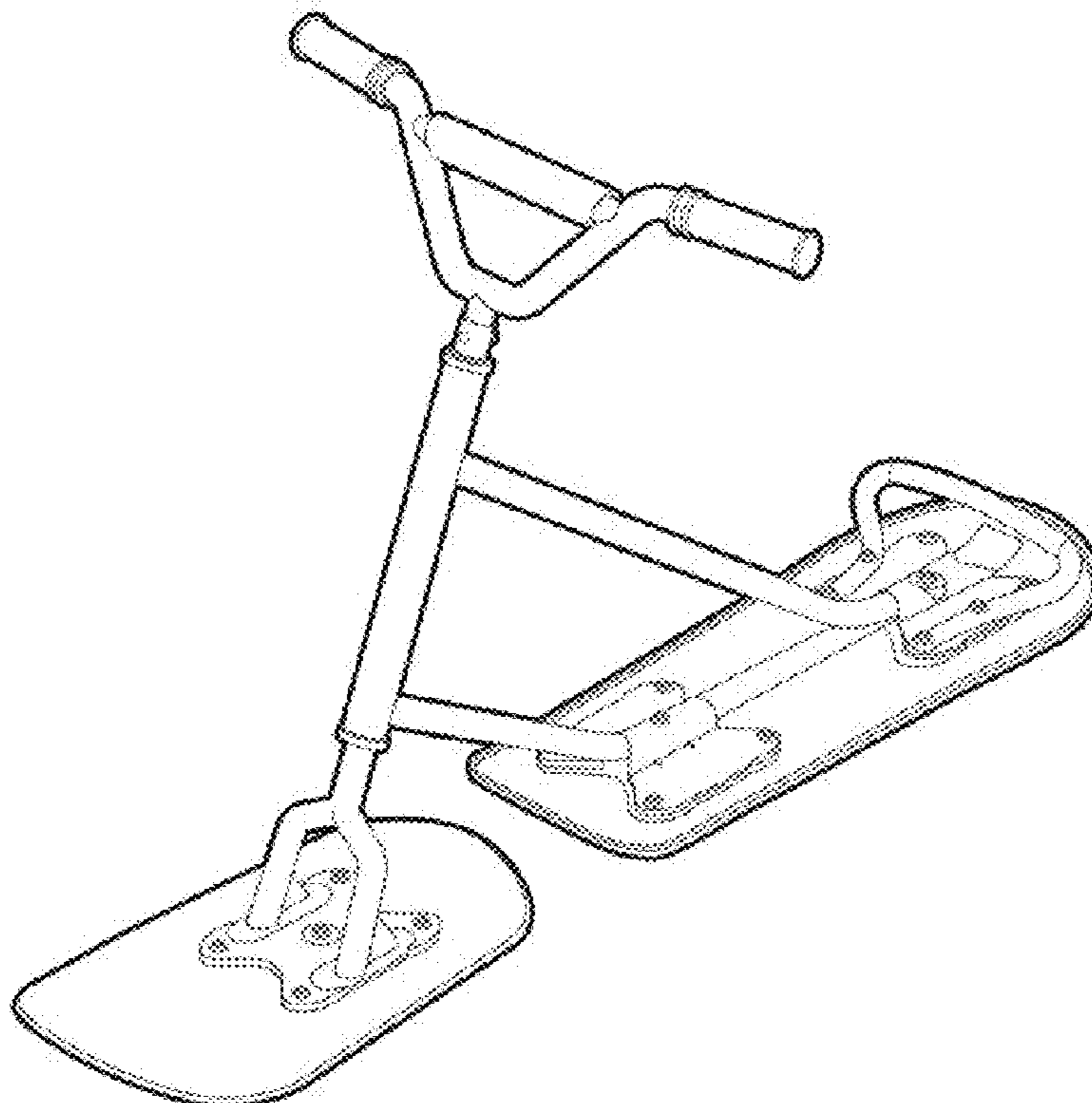
(57) **CLAIM**

The ornamental design for a stand-up snow sled, as shown and described.

DESCRIPTION

FIG. 1 is a front perspective view of the stand-up snow sled, according to the present application; FIG. 2 is rear perspective view thereof; a front view thereof; FIG. 3 is a first side view thereof, with the second side view being a mirror image thereof; FIG. 4 is a front view thereof; FIG. 5 is a back view thereof; FIG. 6 is a top view thereof; and, FIG. 7 is a bottom view of the stand-up snow sled.

1 Claim, 5 Drawing Sheets



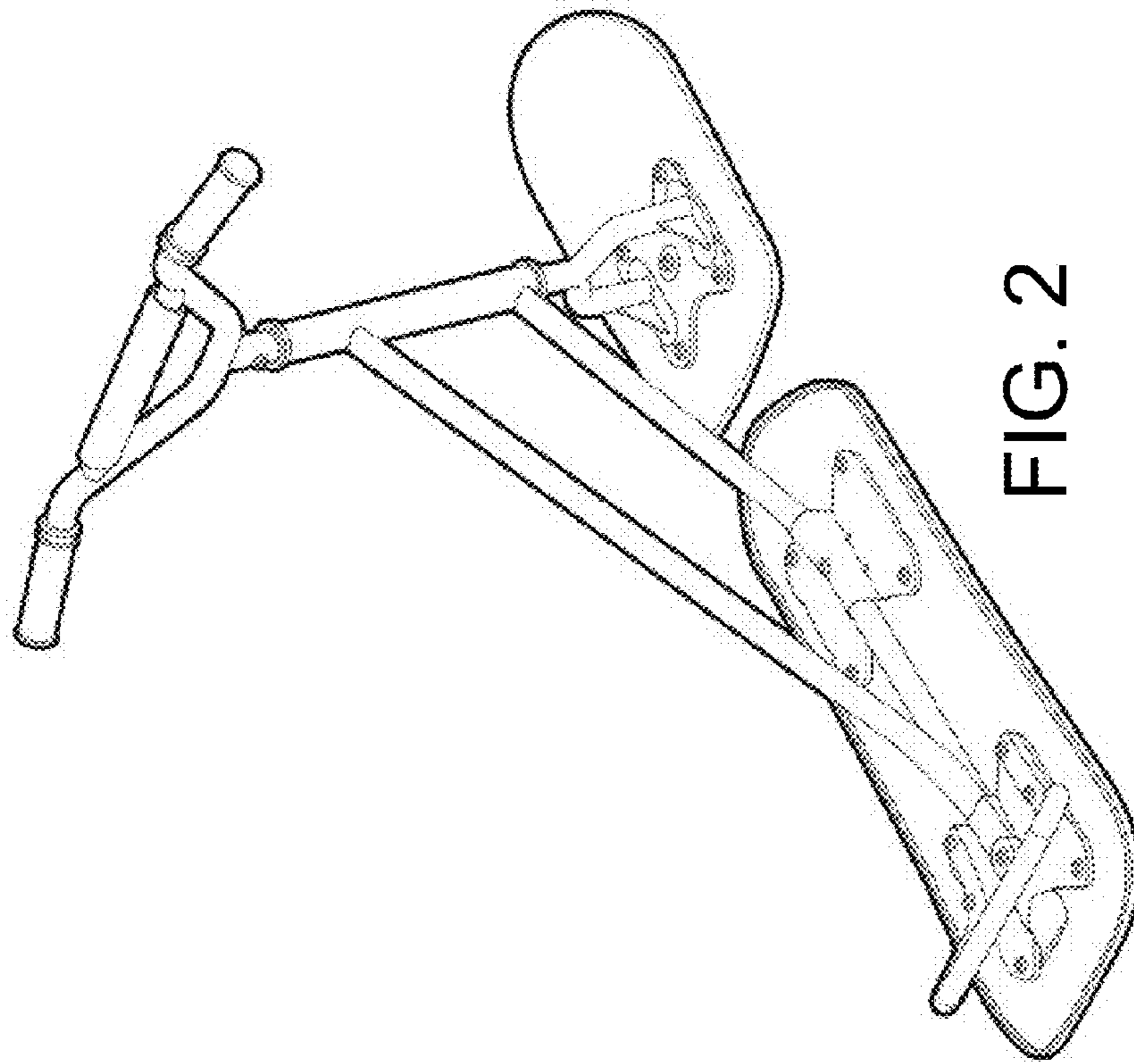


FIG. 2

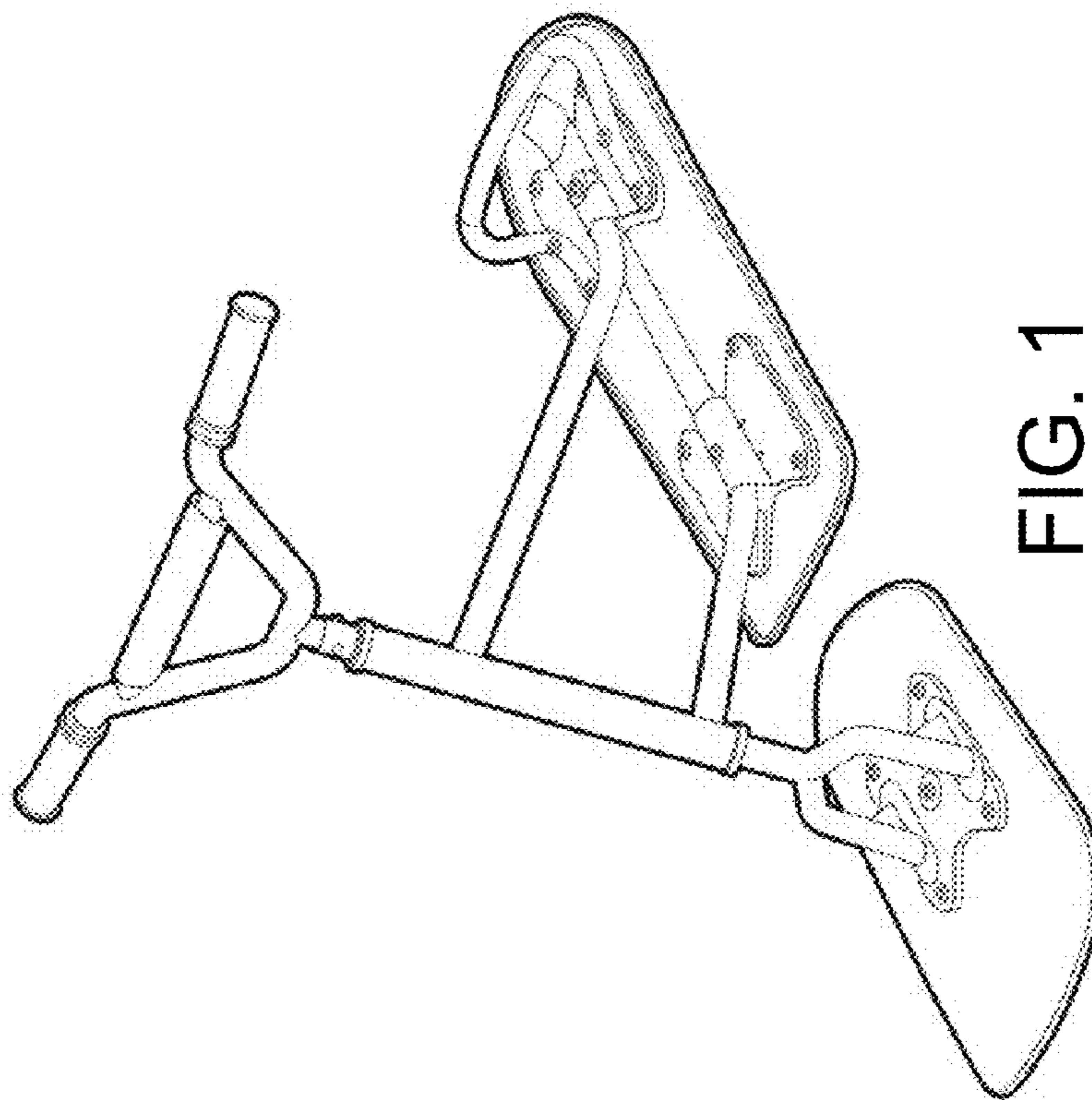


FIG. 1

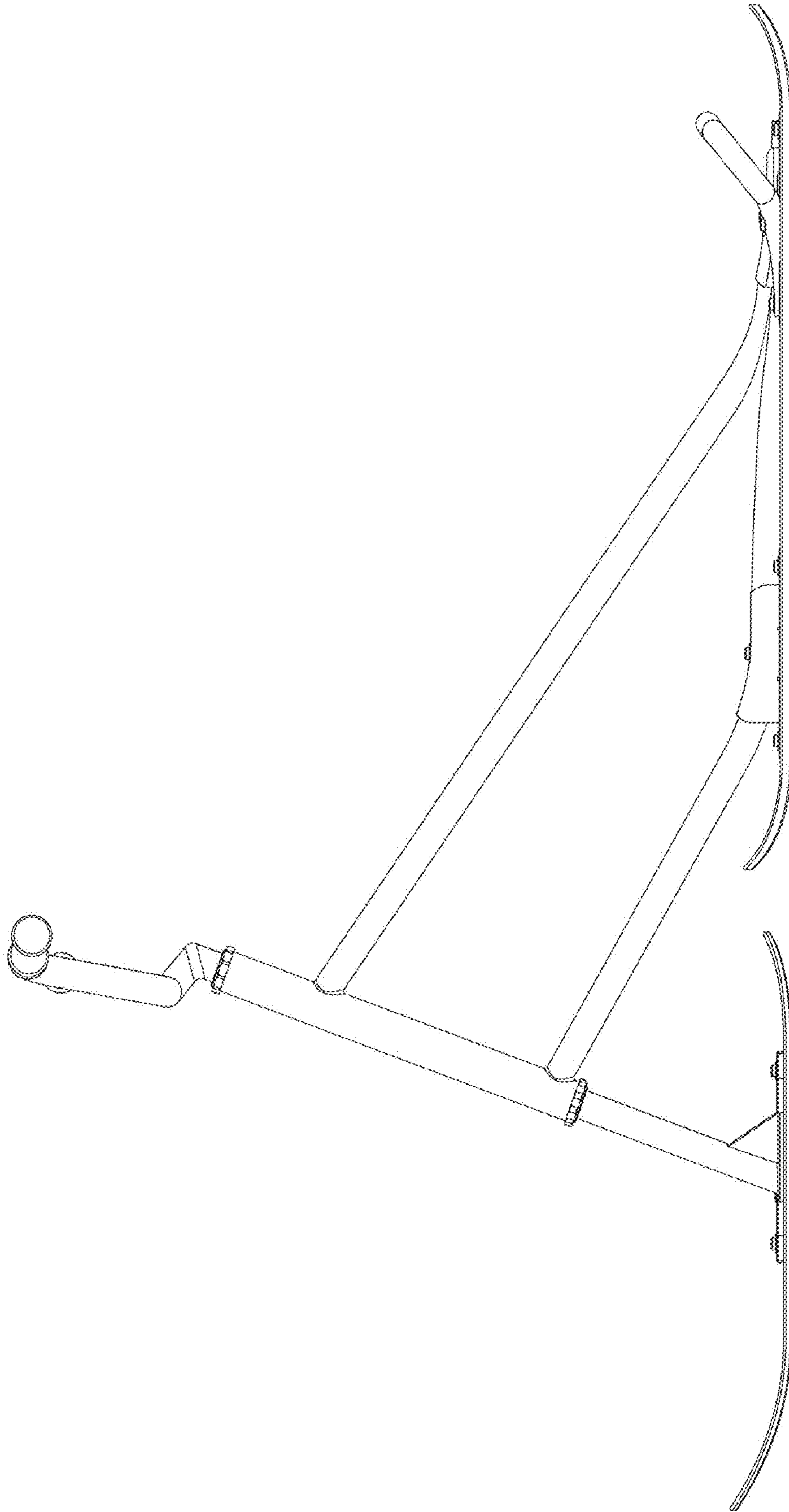


FIG. 3

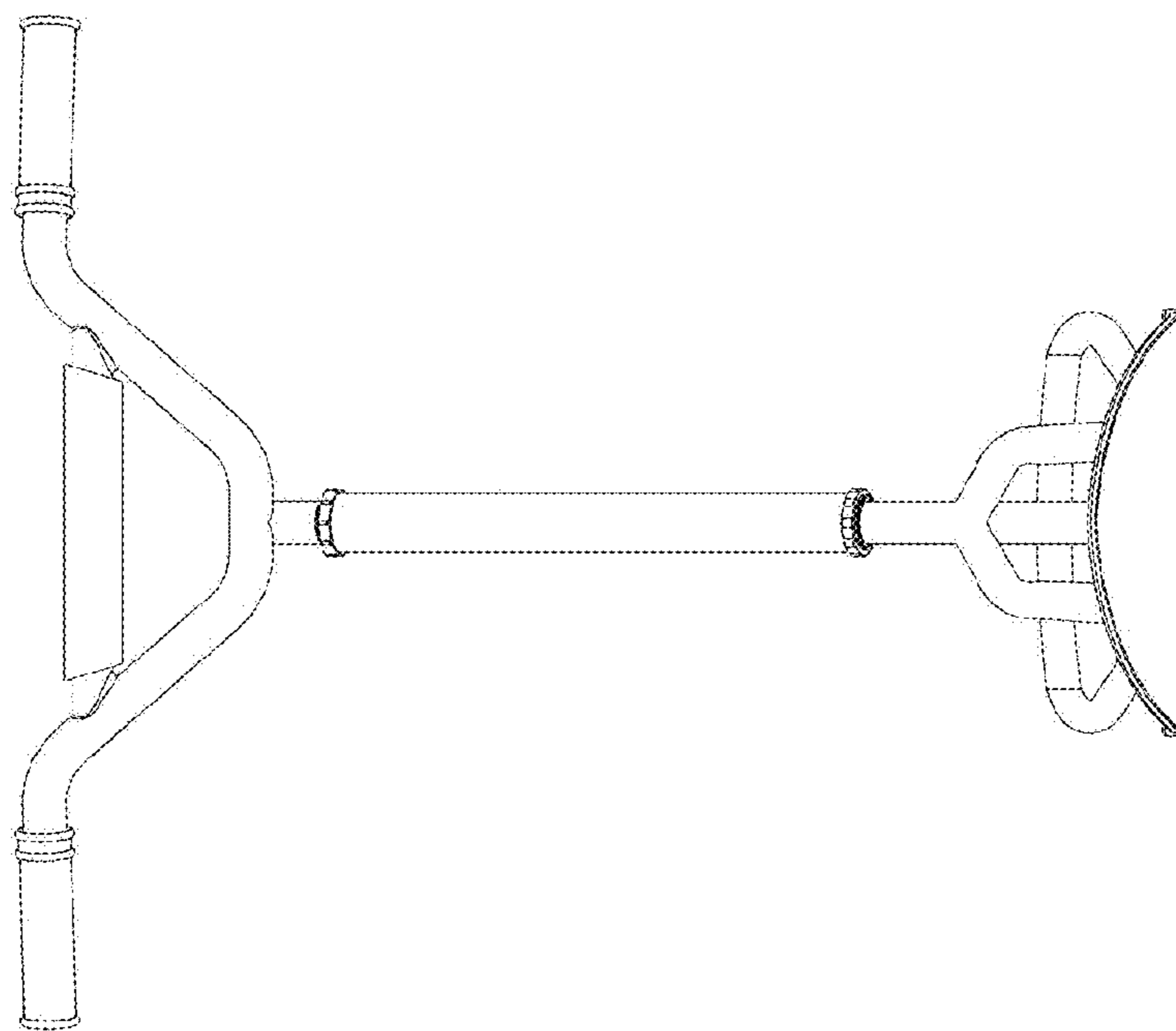


FIG. 4

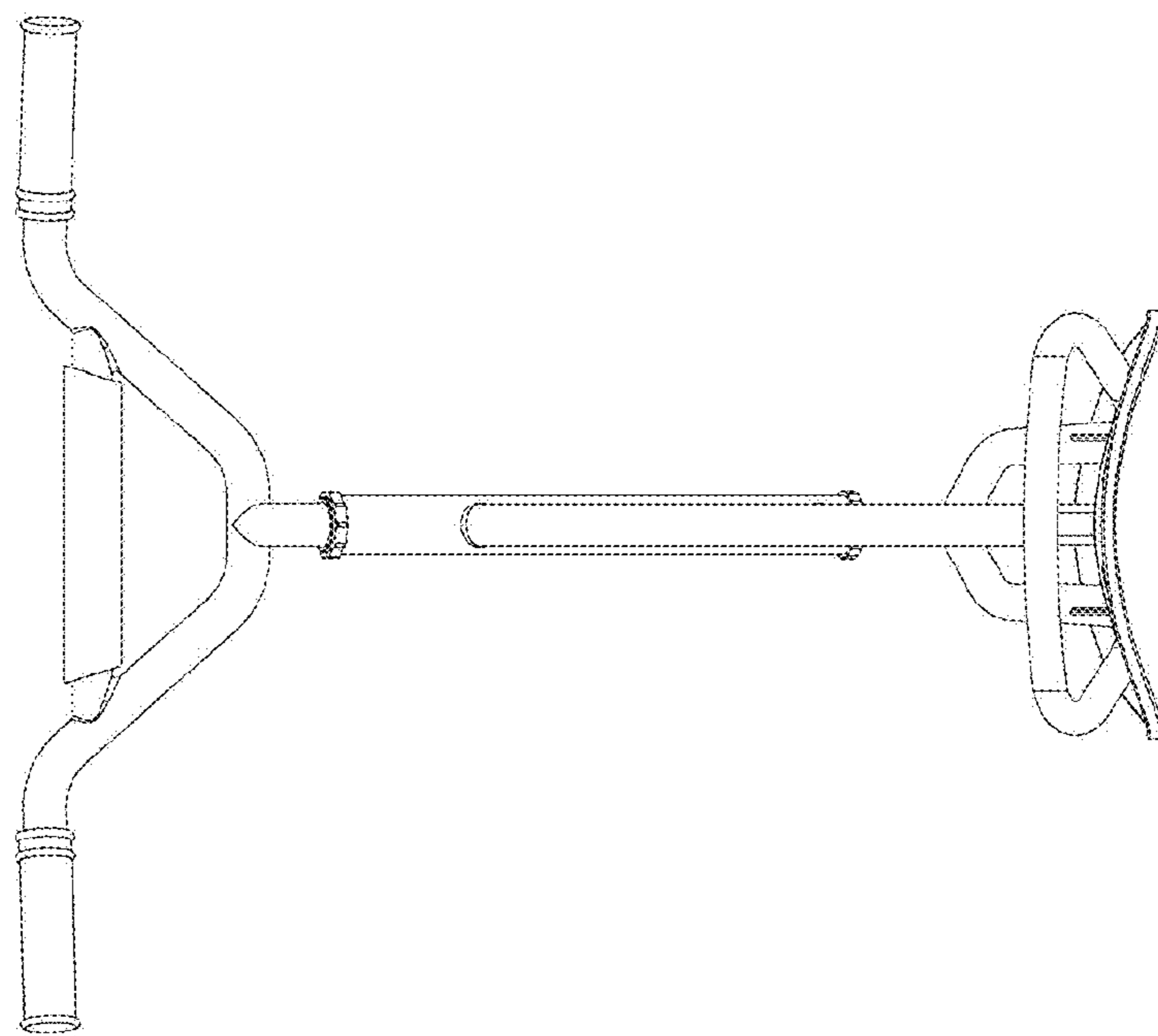


FIG. 5

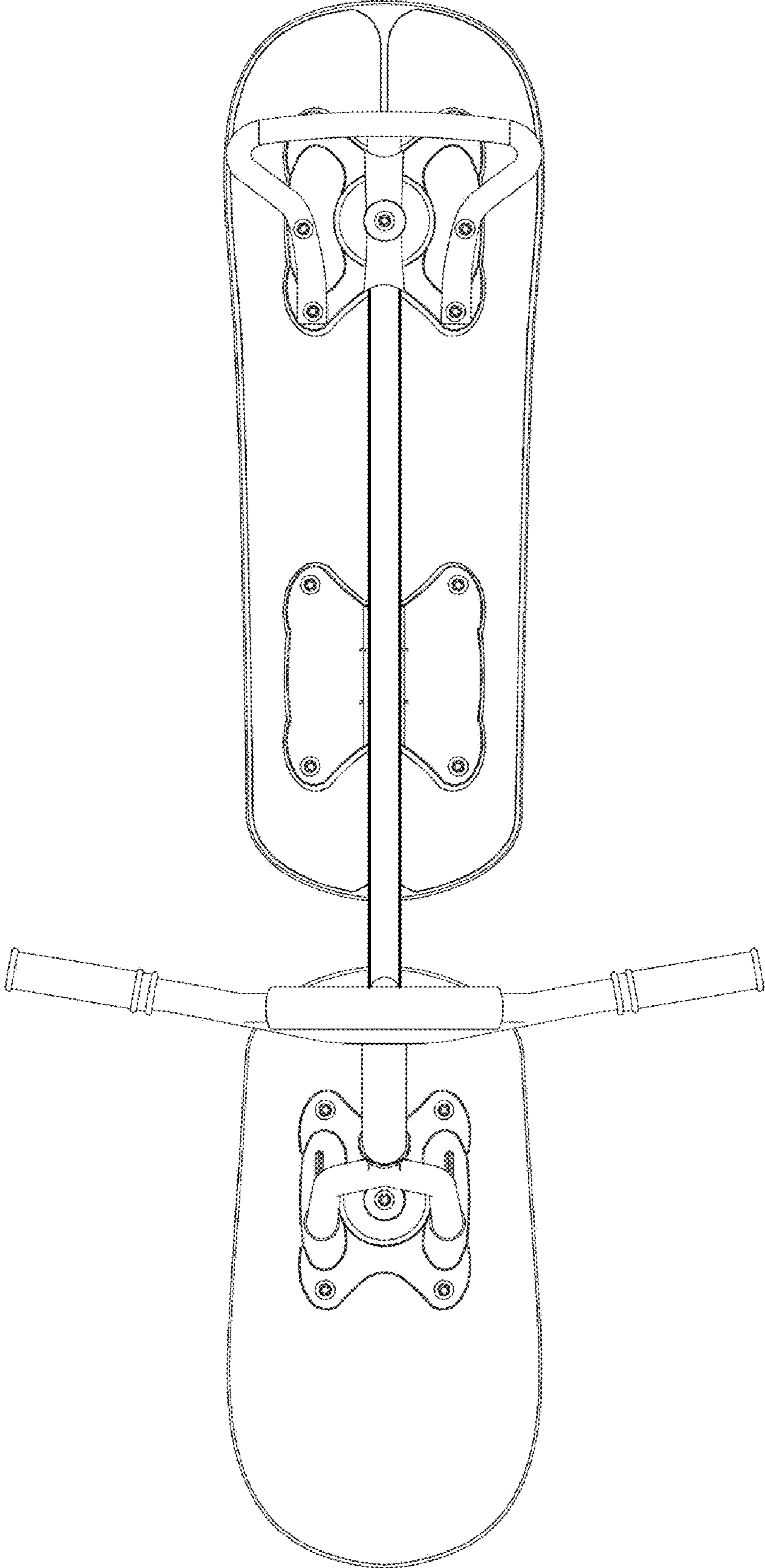


FIG. 6

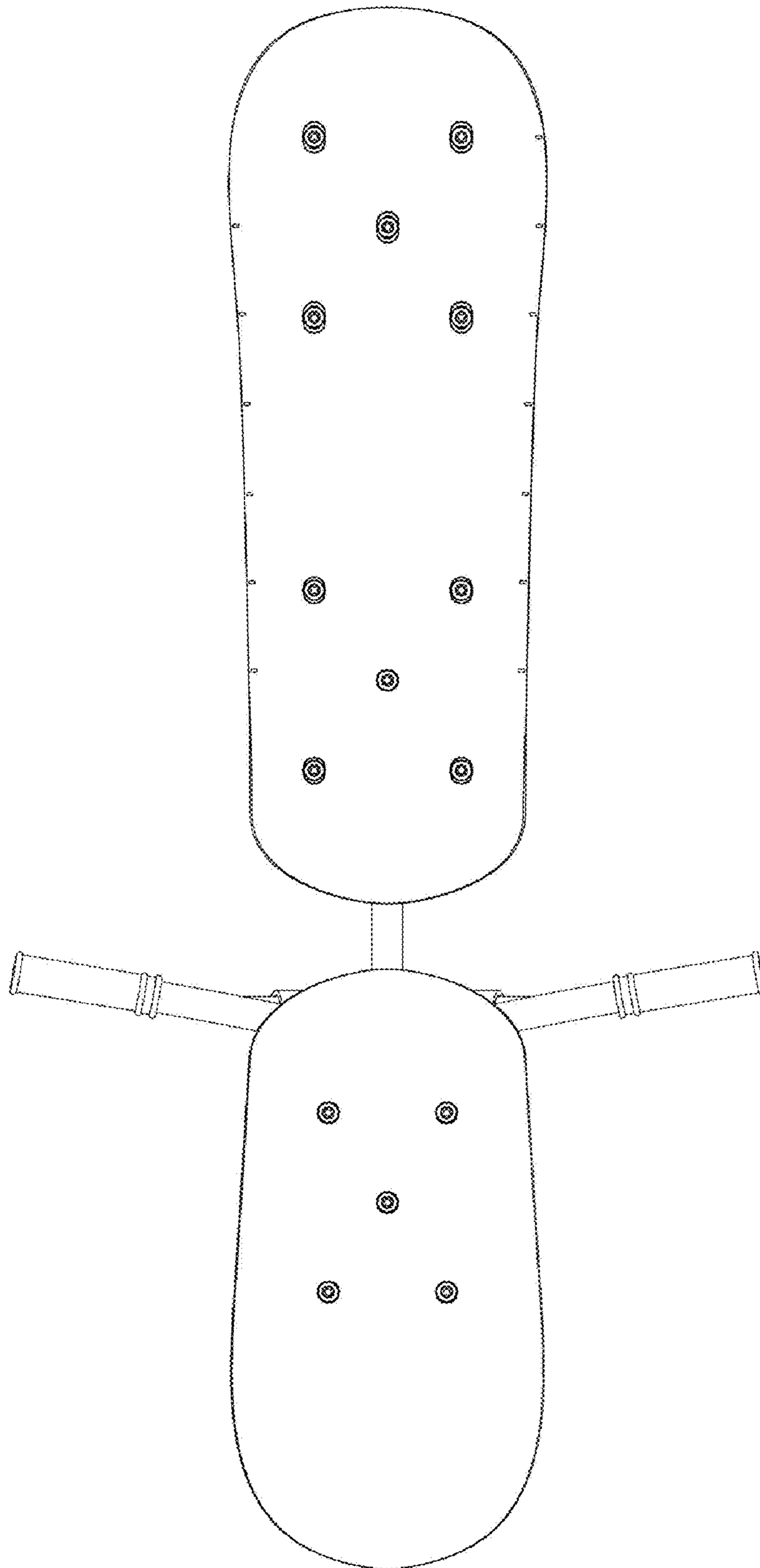


FIG. 7