



US00D645782S

(12) **United States Design Patent**  
**Nykoluk**

(10) **Patent No.:** **US D645,782 S**

(45) **Date of Patent:** **\*\* Sep. 27, 2011**

(54) **REVERSIBLE BELT BUCKLE**  
(75) Inventor: **Cory Nykoluk**, Oakdale, CA (US)  
(73) Assignee: **5.11 Inc.**, Modesto, CA (US)  
(\*\*) Term: **14 Years**

(21) Appl. No.: **29/370,413**  
(22) Filed: **Jul. 13, 2010**  
(51) **LOC (9) Cl.** ..... **02-07**  
(52) **U.S. Cl.** ..... **D11/218**  
(58) **Field of Classification Search** ..... D11/1-2,  
D11/200-201, 206-210, 214-218; 24/163 R,  
24/169-171, 173, 177-179, 191, 194-195,  
24/197, 200  
See application file for complete search history.

(56) **References Cited**  
U.S. PATENT DOCUMENTS  
D349,665 S \* 8/1994 Franklin ..... D11/218  
D484,070 S \* 12/2003 Buscart ..... D11/216

D493,386 S \* 7/2004 Pontaoe ..... D11/218  
D536,280 S \* 2/2007 Wemmer ..... D11/218  
D586,259 S \* 2/2009 Kelleghan ..... D11/218  
D622,178 S \* 8/2010 Kelleghan ..... D11/201

\* cited by examiner

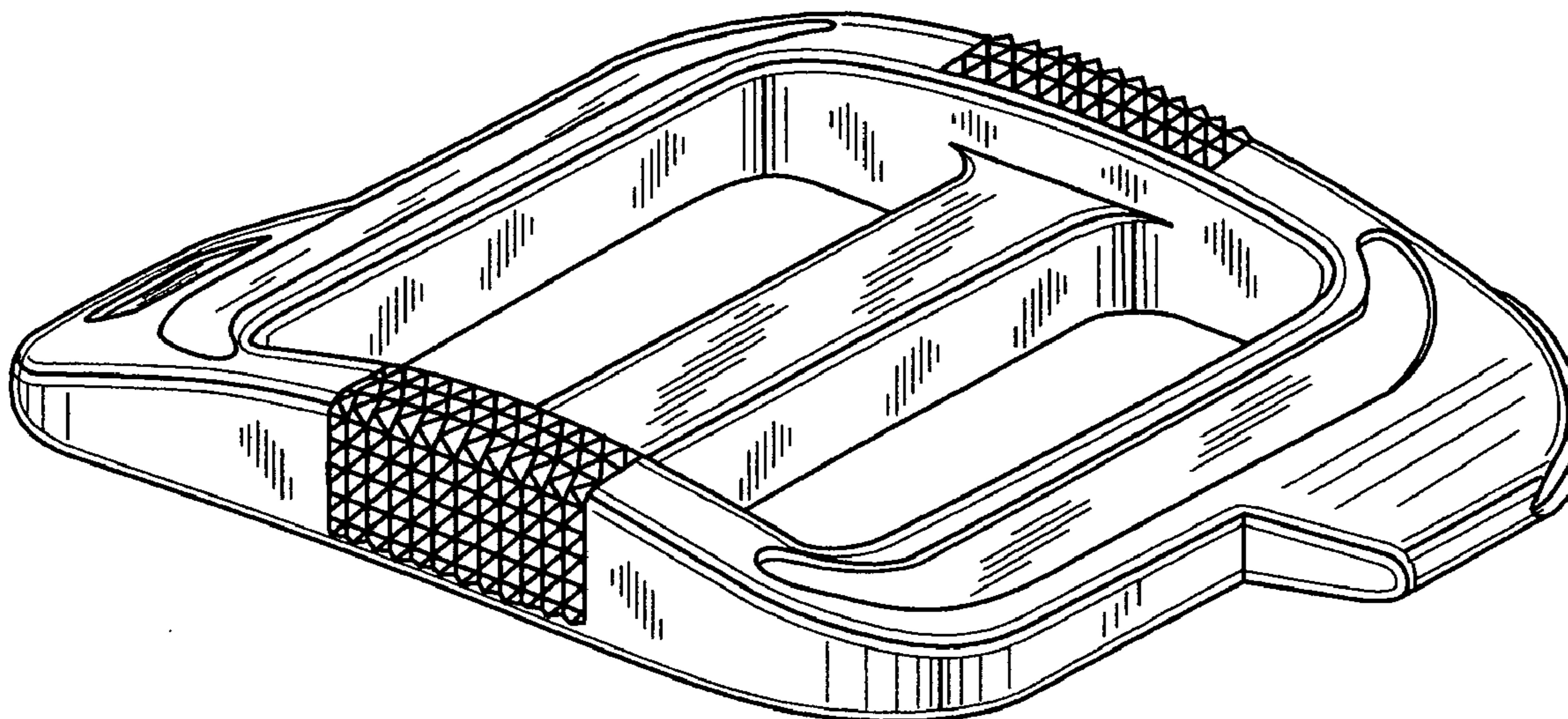
*Primary Examiner* — Ralf Seifert  
(74) *Attorney, Agent, or Firm* — Thomas M. Freiburge

(57) **CLAIM**  
The ornamental design for a reversible belt buckle, substantially as shown and described.

**DESCRIPTION**

FIG. 1 is a frontal perspective view of a reversible belt buckle showing my new design;  
FIG. 2 is a rear view thereof;  
FIG. 3 is a front plan view thereof;  
FIG. 4 is a right side view thereof; the left side being identical and opposite-hand; and,  
FIG. 5 is a bottom side view thereof, the top side being identical and inverted.

**1 Claim, 2 Drawing Sheets**



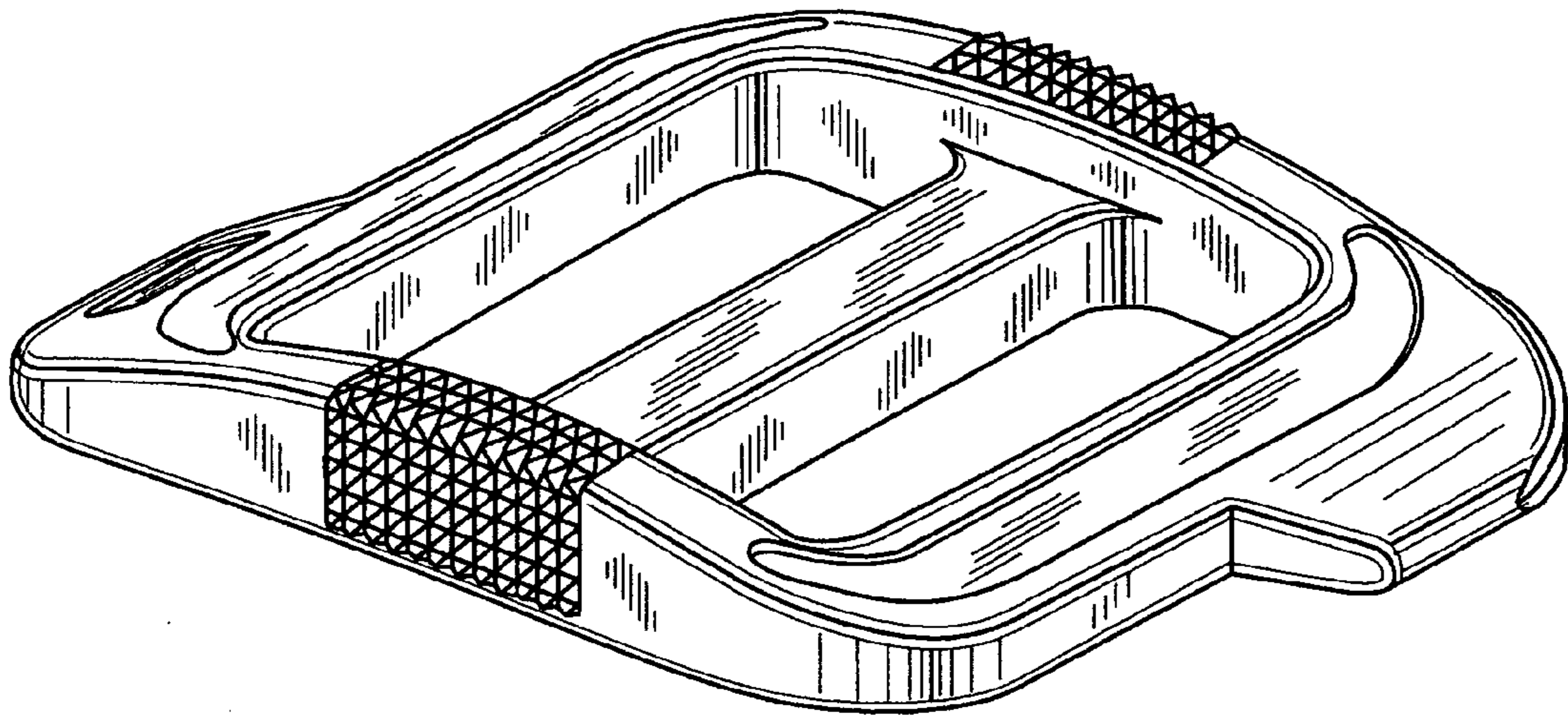


FIG. 1

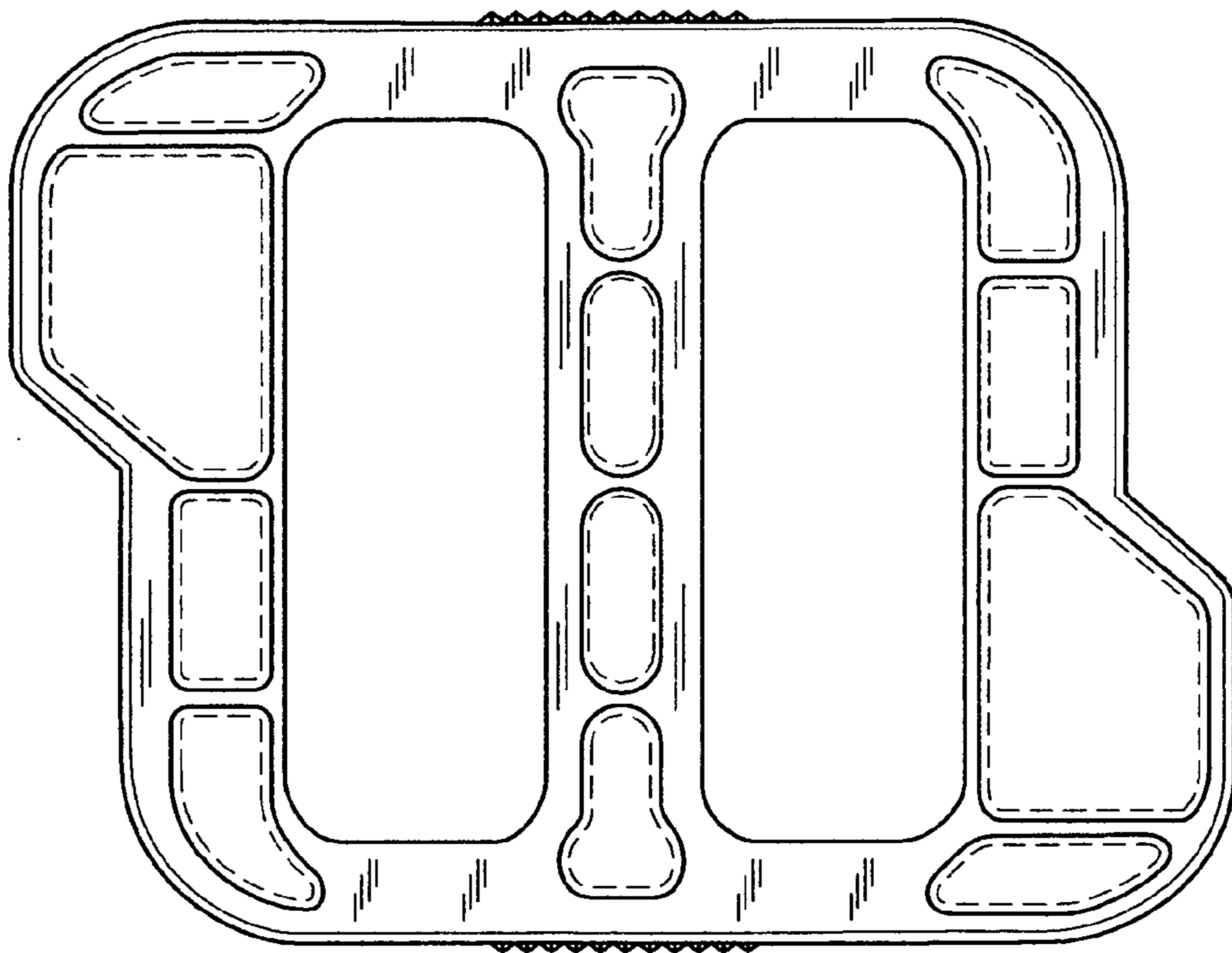


FIG. 2

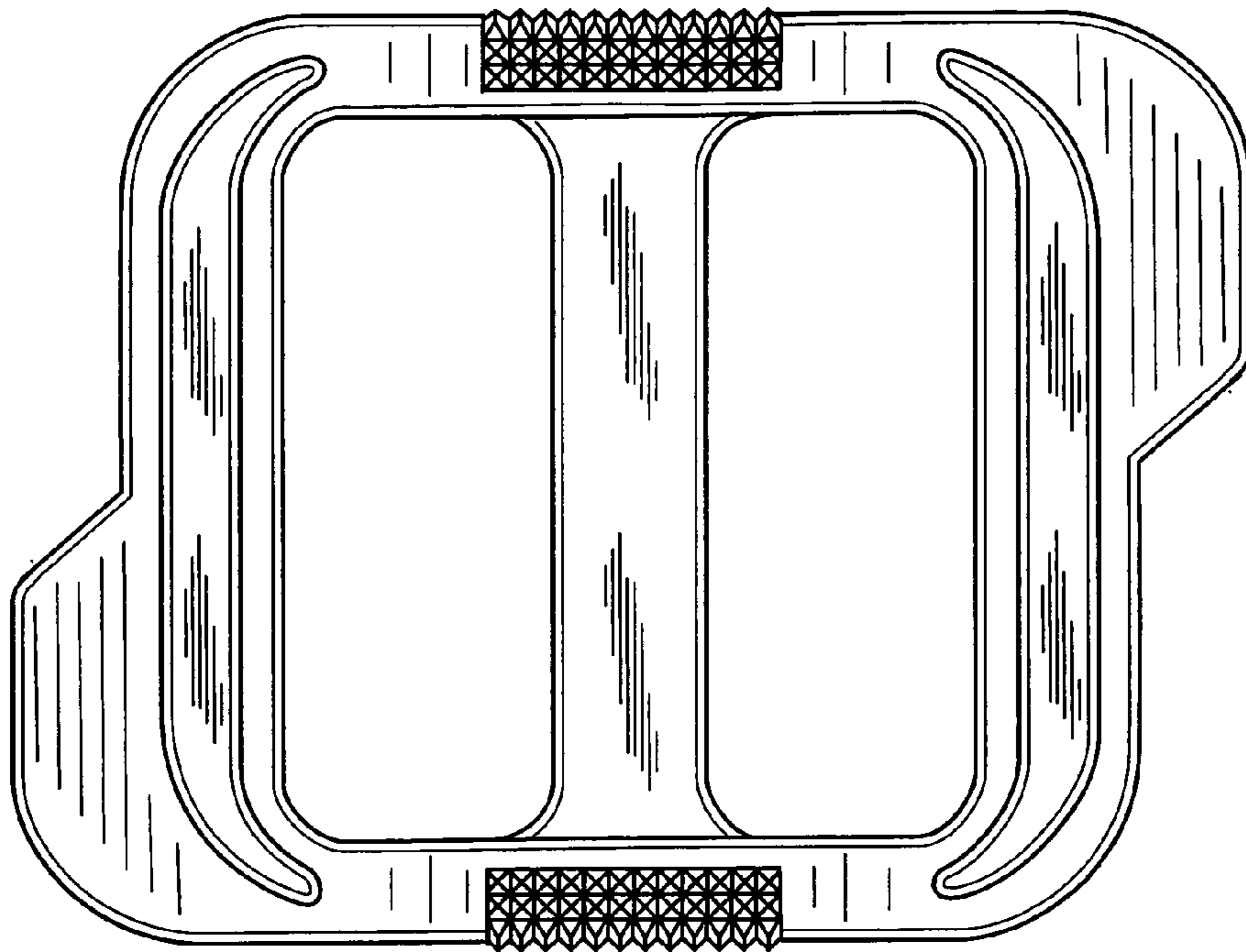


FIG. 3

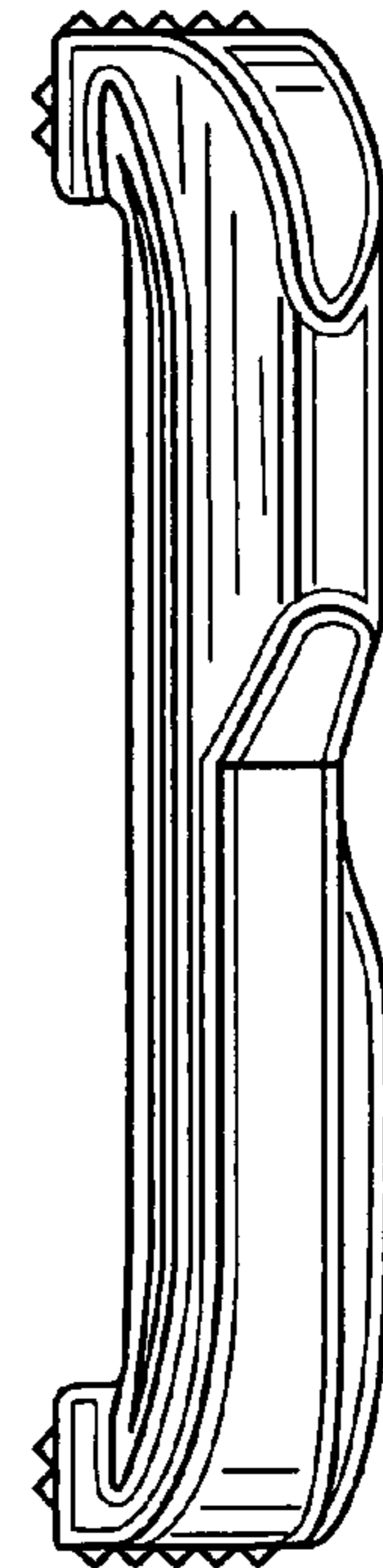


FIG. 4

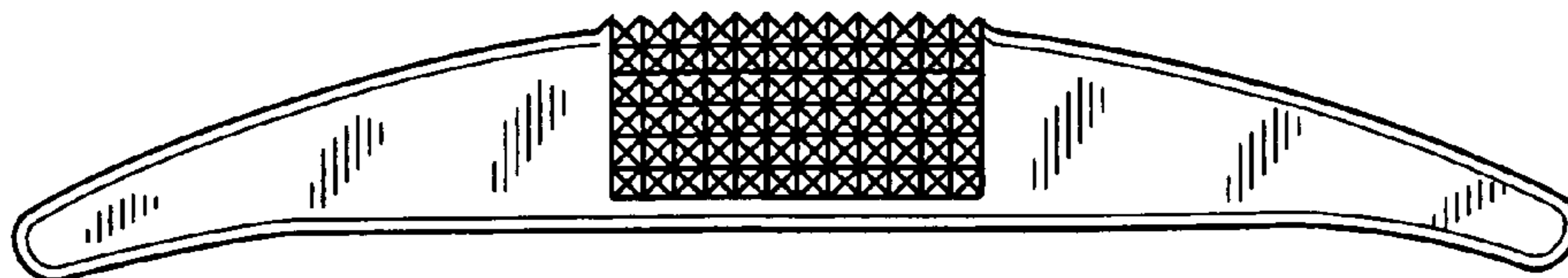


FIG. 5