



US00D645781S

(12) **United States Design Patent**
Graber et al.

(10) **Patent No.:** **US D645,781 S**

(45) **Date of Patent:** **** Sep. 27, 2011**

(54) **ANTI-TANGLE DEVICE FOR FLAGS**

(76) Inventors: **Bruno Graber**, York Town, NY (US);
Timothy Garrett, Ansonia, CT (US)

(**) Term: **14 Years**

(21) Appl. No.: **29/316,464**

(22) Filed: **Sep. 29, 2009**

(51) **LOC (9) Cl.** **11-05**

(52) **U.S. Cl.** **D11/181**

(58) **Field of Classification Search** D11/165-183;
D20/16, 17, 21, 28, 41-43; 40/218, 584,
40/604, 606.01, 606.15, 607.01, 607.03,
40/607.05; 116/173-175; 248/200, 218.4,
248/511, 514, 518-521, 534-539

See application file for complete search history.

(56) **References Cited**

U.S. PATENT DOCUMENTS

2,905,140	A *	9/1959	Acklam	116/173
D248,347	S *	7/1978	McCollum	D6/552
4,121,803	A *	10/1978	Garrick	248/536
4,603,652	A *	8/1986	Thibault et al.	116/174
D310,185	S *	8/1990	Tick	D11/182
5,255,627	A *	10/1993	Williams	116/174
5,282,626	A *	2/1994	Millar	473/174
5,383,420	A *	1/1995	Dundorf	116/174
5,809,930	A *	9/1998	Brooks	116/174
6,003,826	A *	12/1999	Galloway, III	248/519

6,023,867	A *	2/2000	Gagne	40/491
6,234,444	B1 *	5/2001	Haddad	248/545
6,712,378	B1 *	3/2004	Austin	280/477

* cited by examiner

Primary Examiner — Karen S Acker

(74) *Attorney, Agent, or Firm* — Ware, Fressola, Van Der Sluys & Adolphson LLP

(57) **CLAIM**

The ornamental design for an anti-tangle device for flags, as shown and described.

DESCRIPTION

FIG. 1 is a perspective view of the anti-tangle device for flags showing our new design in a position of use;

FIG. 2 is a side elevational view thereof, the opposite side being a mirror image thereof;

FIG. 3 is a rear elevational view thereof;

FIG. 4 is a front elevational view thereof;

FIG. 5 is a top plan view of one component of the anti-tangle device for flags, the bottom plan view being a mirror image thereof;

FIG. 6 is a top plan view of a second component of the anti-tangle device for flags, the bottom plan view being a mirror image thereof; and,

FIG. 7 is an exploded perspective view of the anti-tangle device for flags.

The broken lines in the drawings represent unclaimed environmental subject matter.

1 Claim, 4 Drawing Sheets

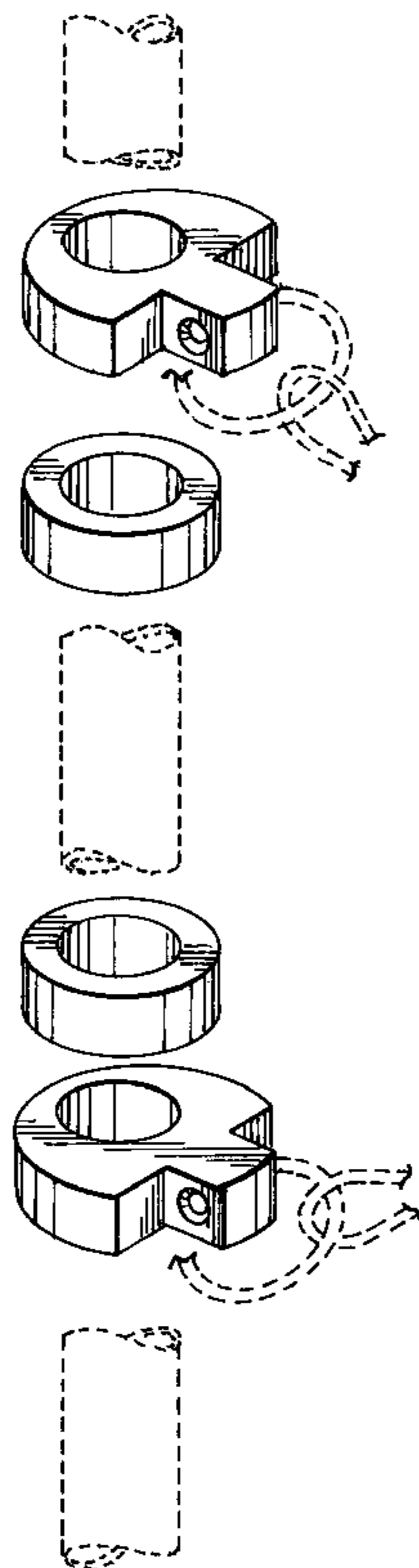
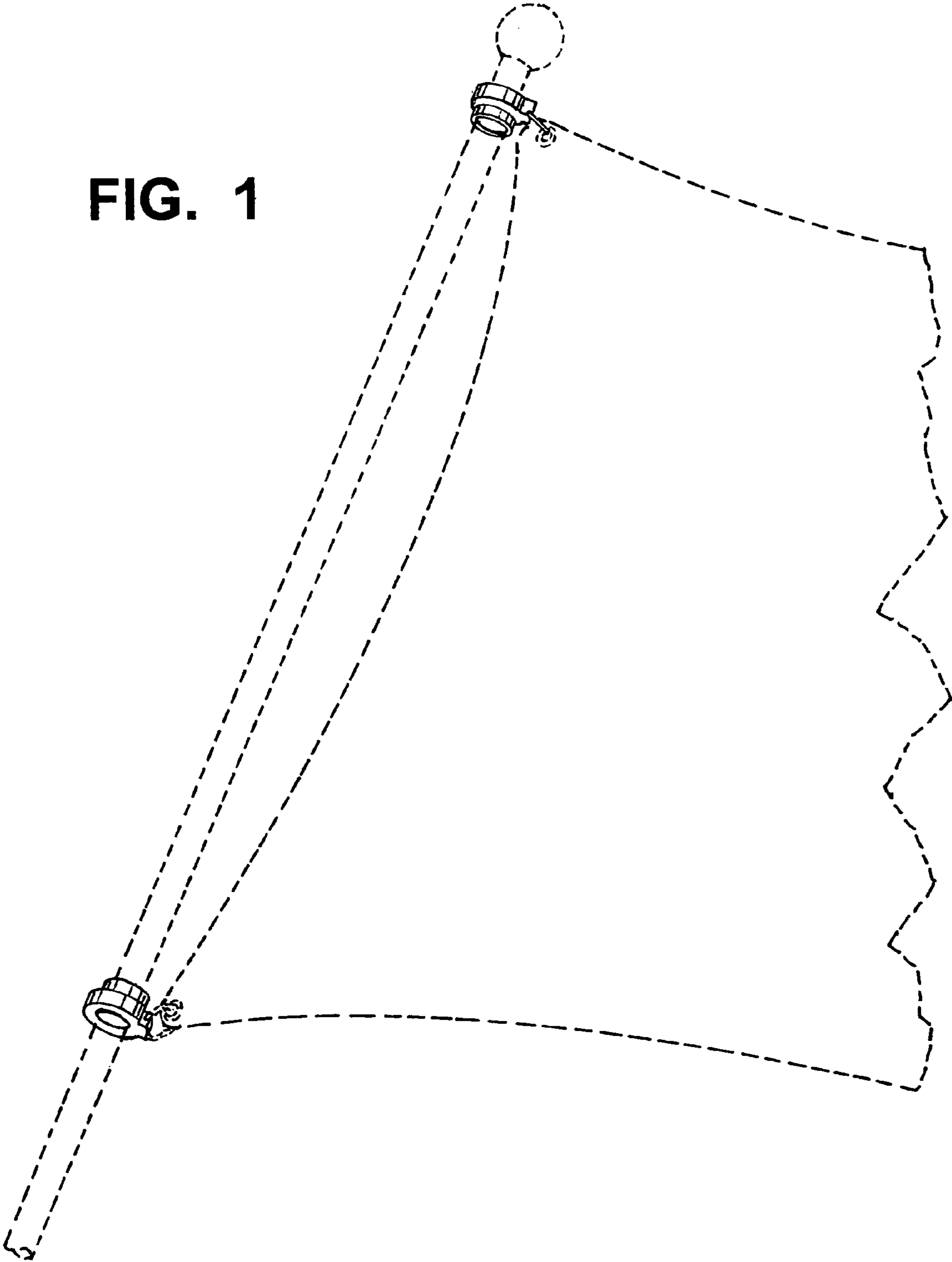


FIG. 1



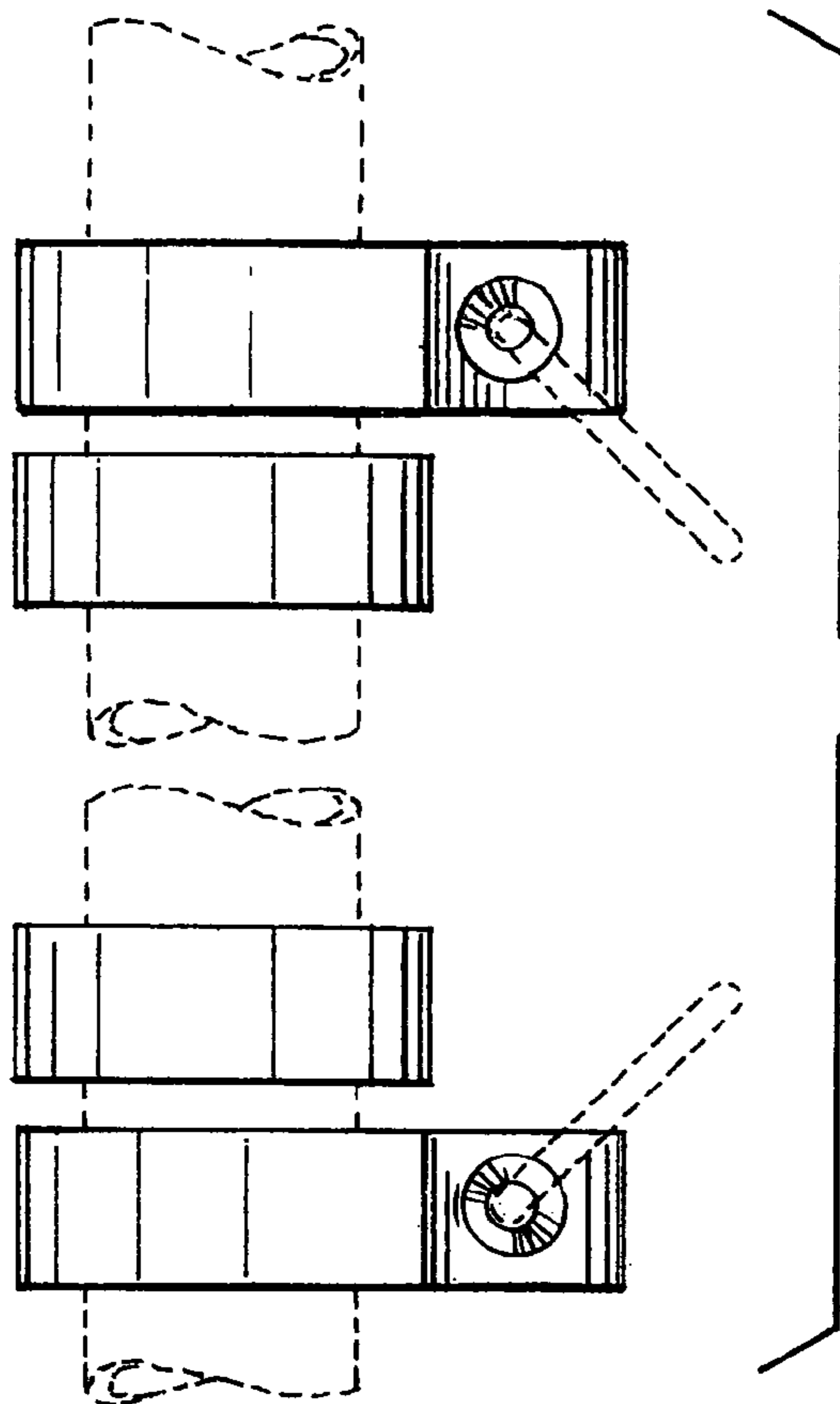


FIG. 2

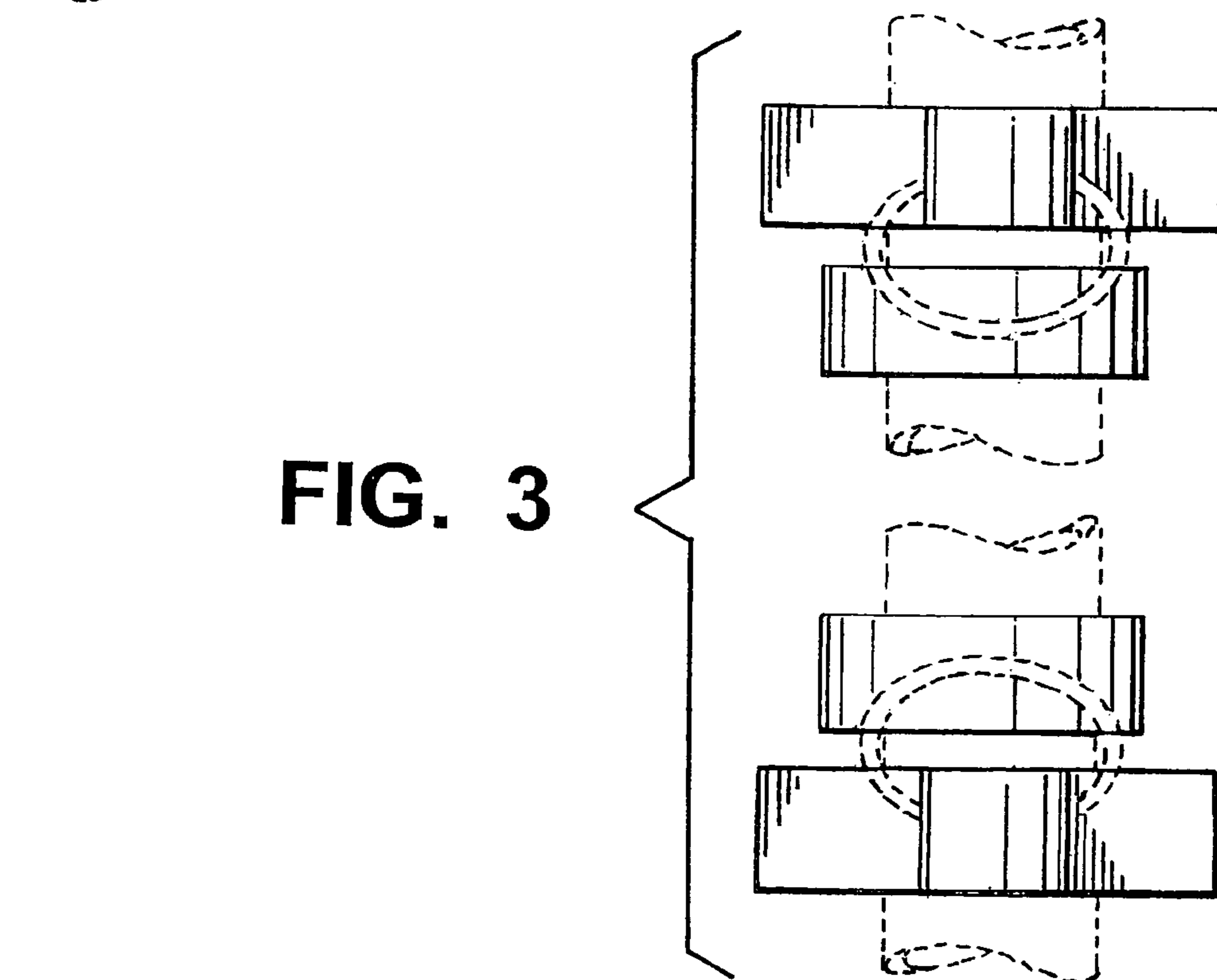


FIG. 3

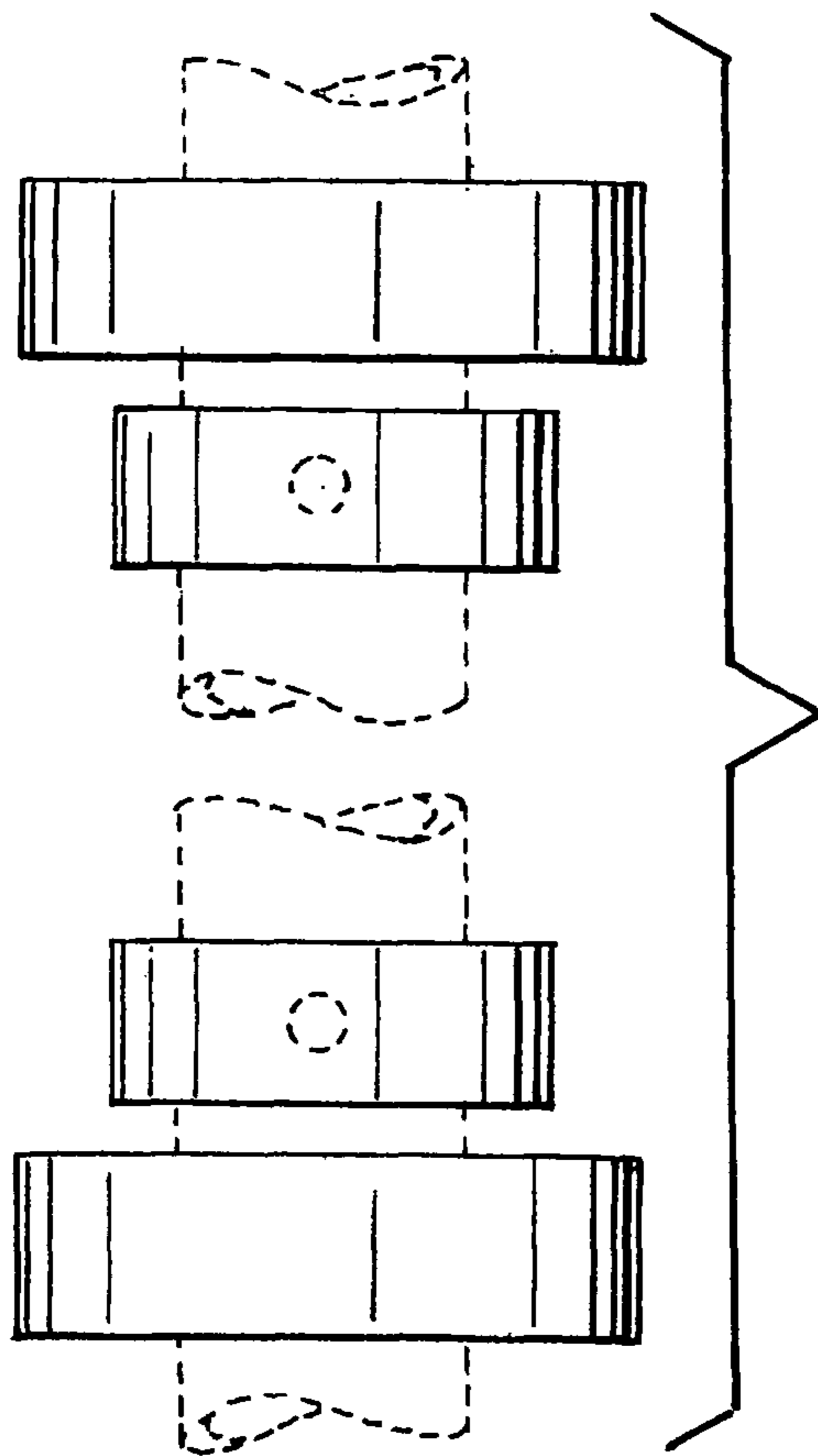


FIG. 4

FIG. 5

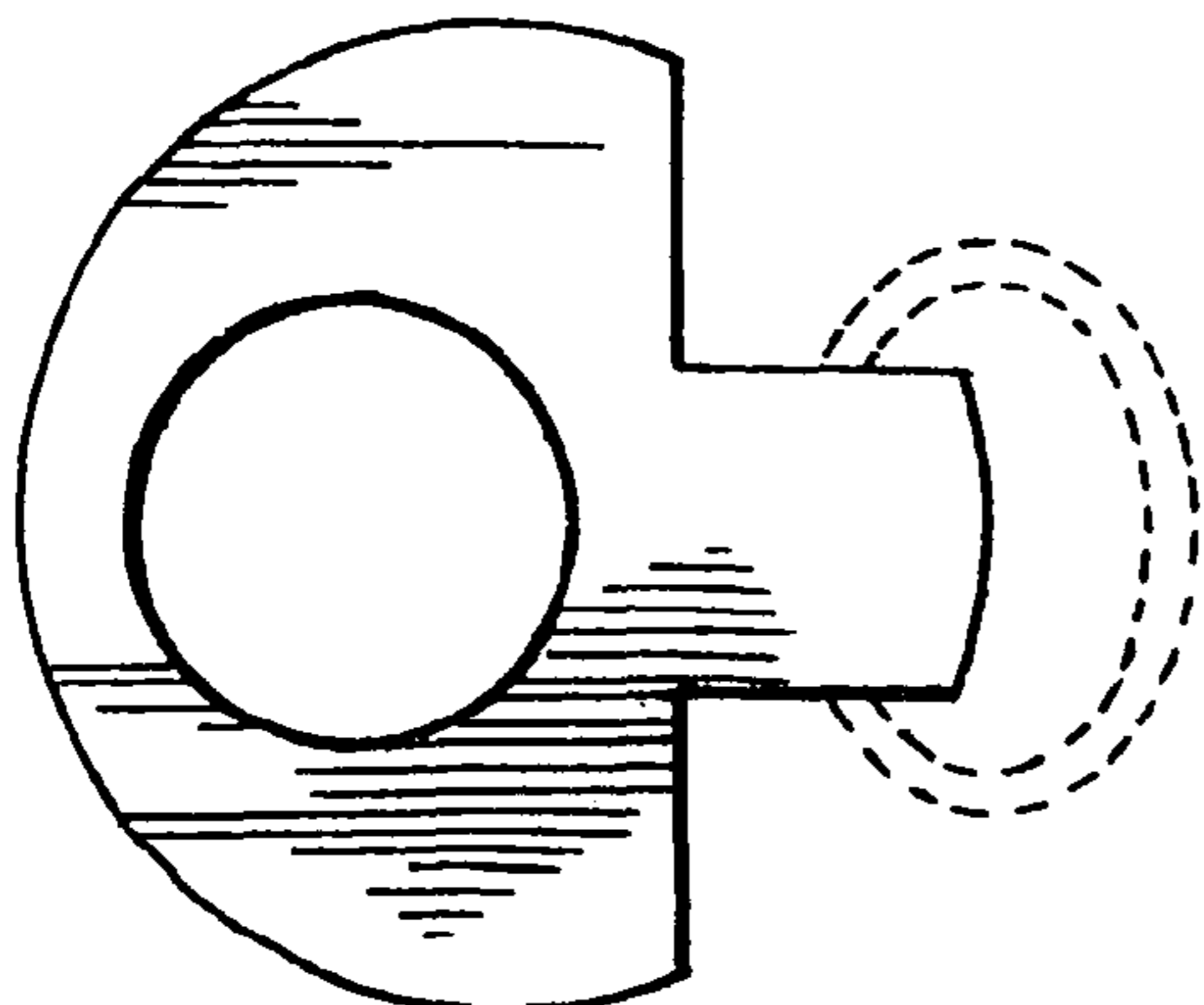
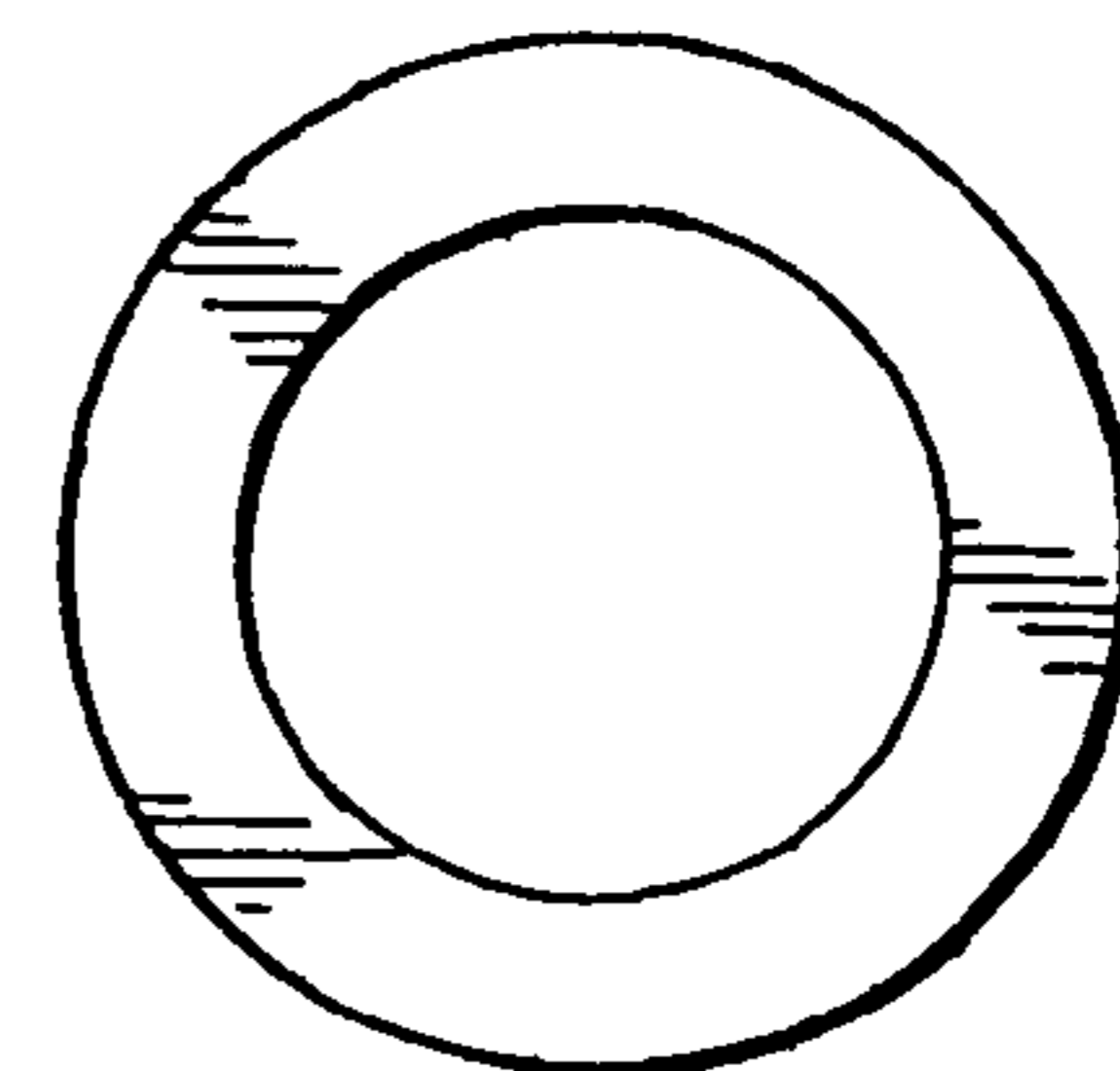


FIG. 6



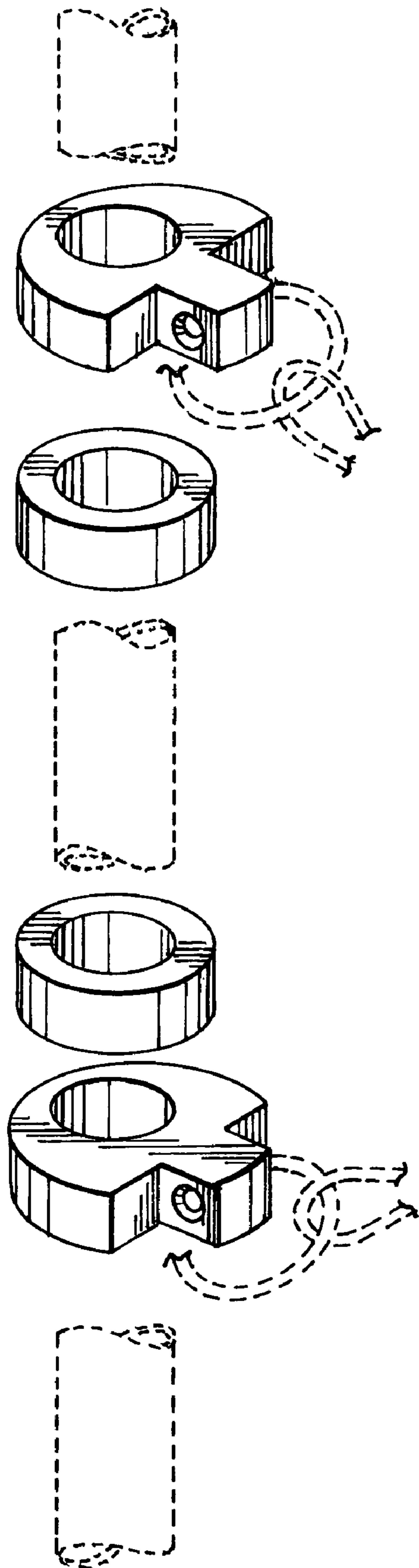


FIG. 7