



US00D645779S

(12) **United States Design Patent**
Bradley et al.

(10) **Patent No.:** **US D645,779 S**

(45) **Date of Patent:** **** Sep. 27, 2011**

(54) **HYDROPONIC GARDENING SYSTEM**

(75) Inventors: **Treg Bradley**, Scottsdale, AZ (US);
Benjamin Wilson, Chandler, AZ (US)

(73) Assignee: **American Agritech, L.L.C.**, Chandler,
AZ (US)

(**) Term: **14 Years**

(21) Appl. No.: **29/363,620**

(22) Filed: **Jun. 11, 2010**

(51) **LOC (9) Cl.** **11-02**

(52) **U.S. Cl.** **D11/164; D11/152; D8/1**

(58) **Field of Classification Search** D8/1-2;
D11/143, 144, 147, 152, 155, 156, 164; 47/62 R,
47/59 R, 67, 63, 62 A

See application file for complete search history.

(56) **References Cited**

U.S. PATENT DOCUMENTS

3,082,575	A *	3/1963	Schulz	47/73
4,908,985	A *	3/1990	Dowell	47/62 R
D322,707	S *	12/1991	Iverson	D3/313
D325,714	S *	4/1992	Karhiniemi et al.	D11/155
5,224,294	A *	7/1993	Reed	47/81
D349,615	S *	8/1994	McLaughlin	D6/403
5,394,647	A *	3/1995	Blackford, Jr.	47/62 A
5,533,299	A *	7/1996	Kratky	47/18
D384,000	S *	9/1997	Panth	D11/143
D393,605	S *	4/1998	Dallaire	D11/156
D397,280	S *	8/1998	Schorr	D8/1
D397,958	S *	9/1998	Ruthenberg	D11/156
5,860,247	A *	1/1999	Newby	47/59 R
D438,816	S *	3/2001	Madden, IV	D11/156
D485,207	S *	1/2004	Dion	D11/143
D490,745	S *	6/2004	Fan	D11/143
D495,621	S *	9/2004	Sikina	D11/155
6,843,021	B1 *	1/2005	Huang	47/63

D590,219	S *	4/2009	Jabs	D8/1
D597,762	S *	8/2009	Caruso	D6/405
D598,809	S *	8/2009	Smith et al.	D11/144
D611,384	S *	3/2010	Biegel	D11/152
D611,782	S *	3/2010	Masser et al.	D8/1
D614,004	S *	4/2010	Vouvalides	D8/1
D634,240	S *	3/2011	Junkeer	D11/155

* cited by examiner

Primary Examiner — Holly Baynham

Assistant Examiner — Sheryl Lane

(74) *Attorney, Agent, or Firm* — Snell & Wilmer, L.L.P.

(57) **CLAIM**

We claim the ornamental design for the hydroponic gardening system, as shown and described.

DESCRIPTION

FIG. 1 is a top perspective view of a hydroponic gardening system.

FIG. 2 is a bottom perspective view thereof;

FIG. 3 is a first side view thereof;

FIG. 4 is a second side view thereof;

FIG. 5 is a top view thereof;

FIG. 6 is a bottom view thereof;

FIG. 7 is a perspective view of the cup portion of the hydroponic gardening system.

FIG. 8 is a bottom perspective view thereof;

FIG. 9 is a front view thereof;

FIG. 10 is a back view thereof;

FIG. 11 is a first side view thereof;

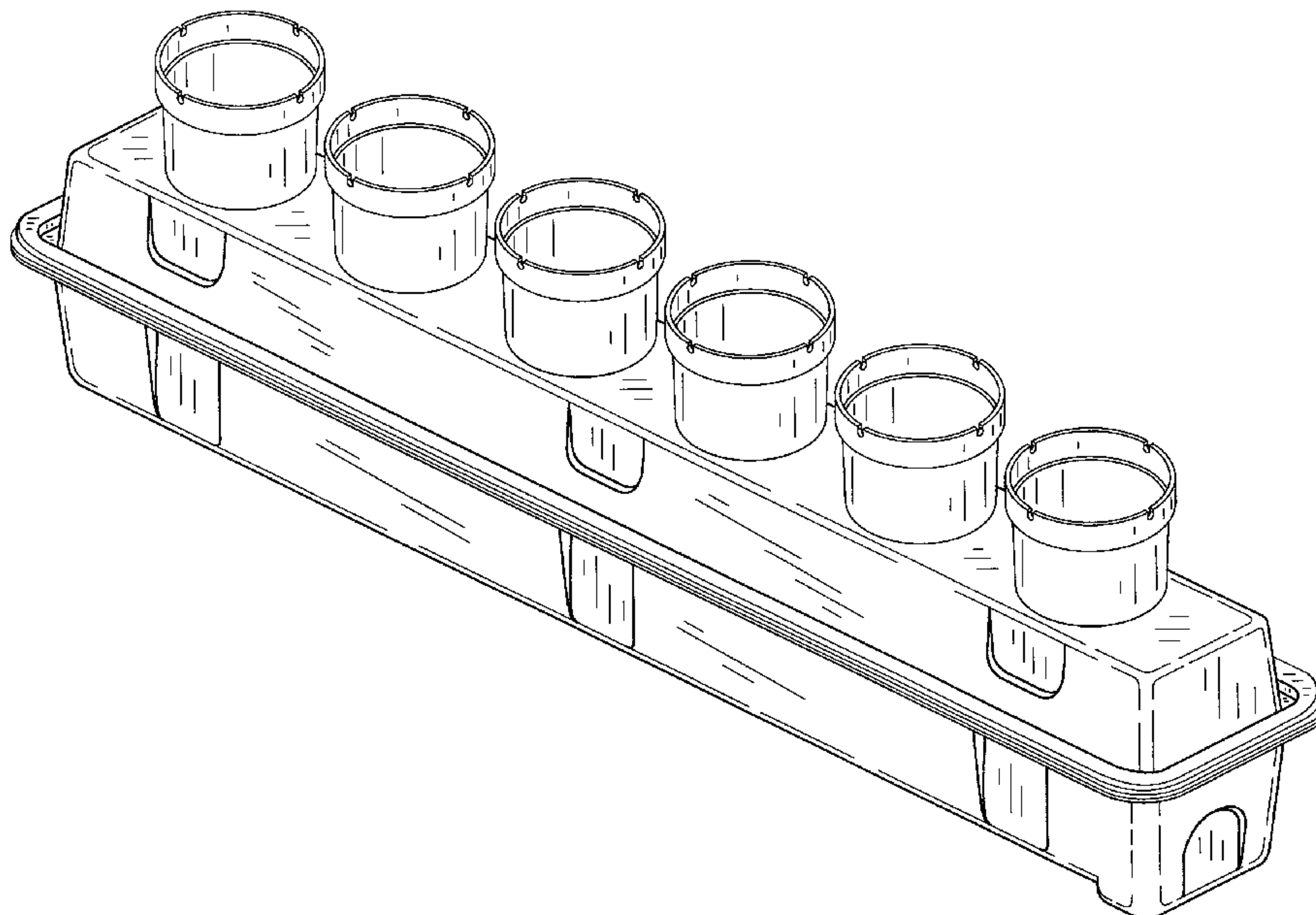
FIG. 12 is a second side view thereof;

FIG. 13 is a top view thereof; and,

FIG. 14 is a bottom view thereof.

The cup portion of FIGS. 7-14 has been shown separately for ease of illustration.

1 Claim, 11 Drawing Sheets



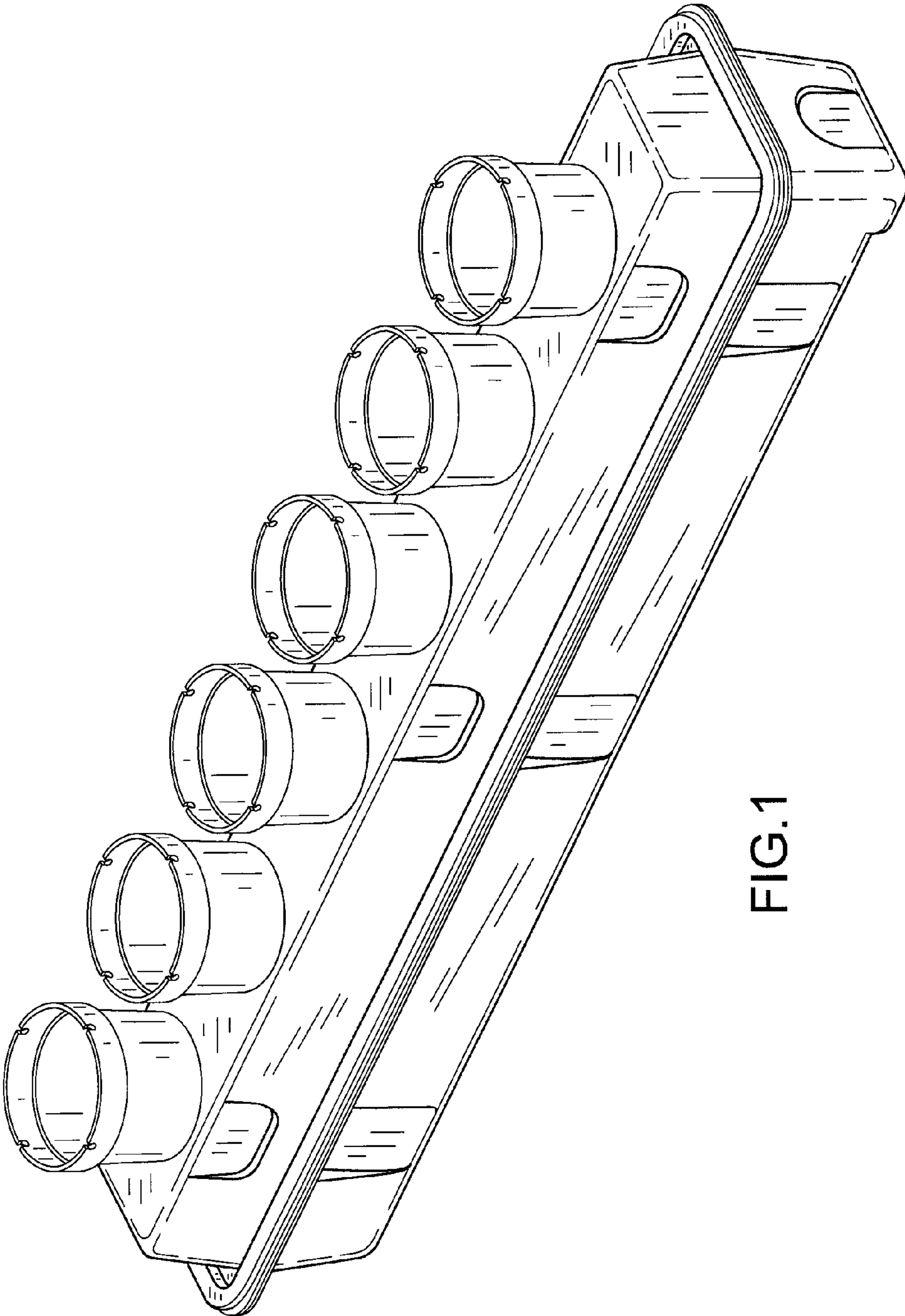


FIG.1

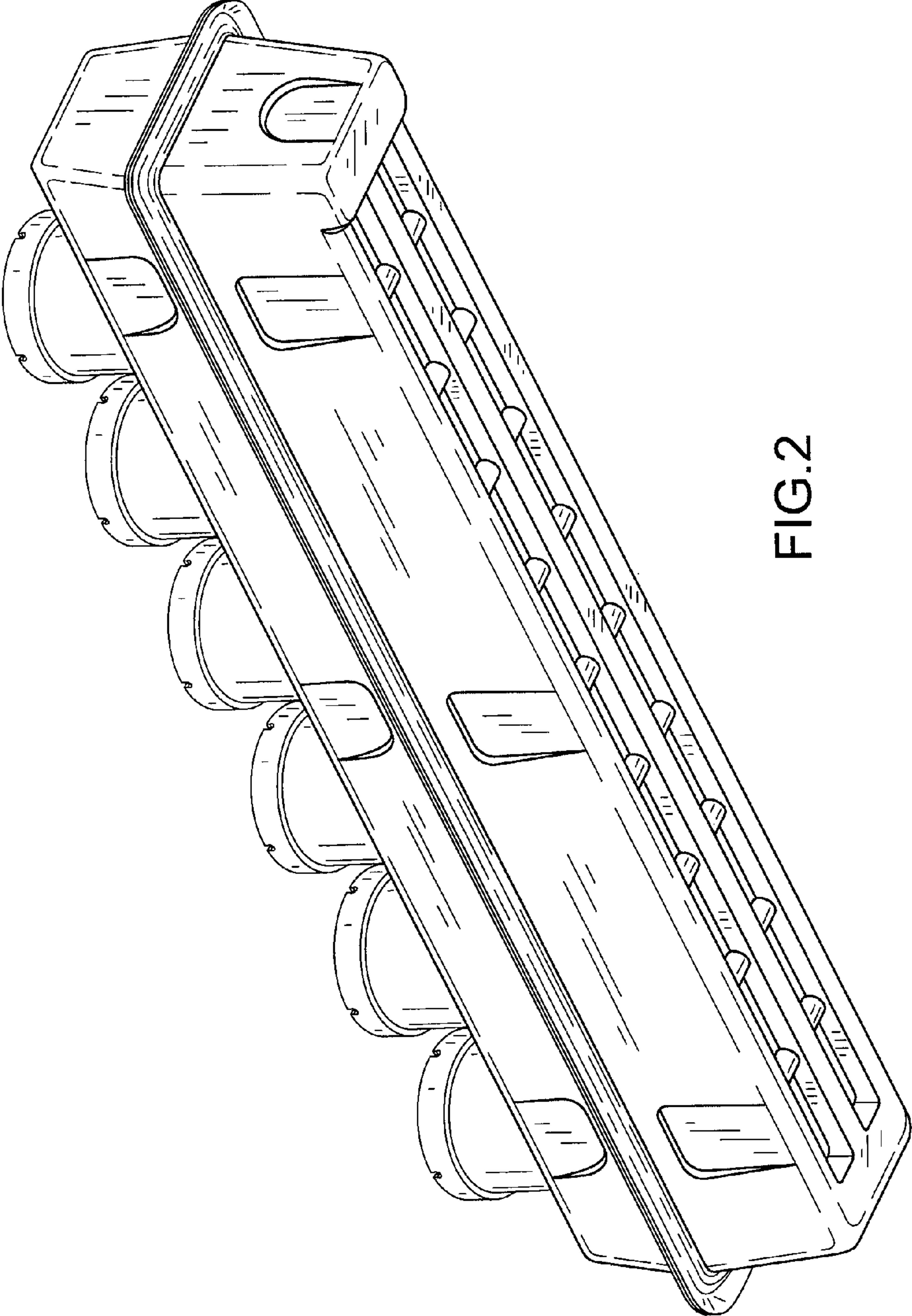


FIG.2

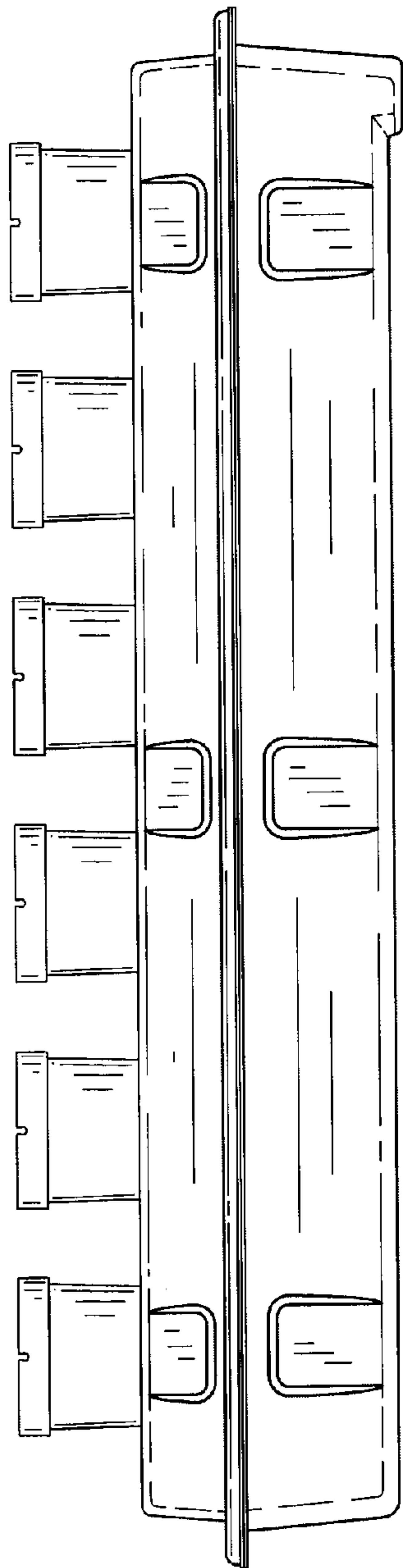


FIG.3

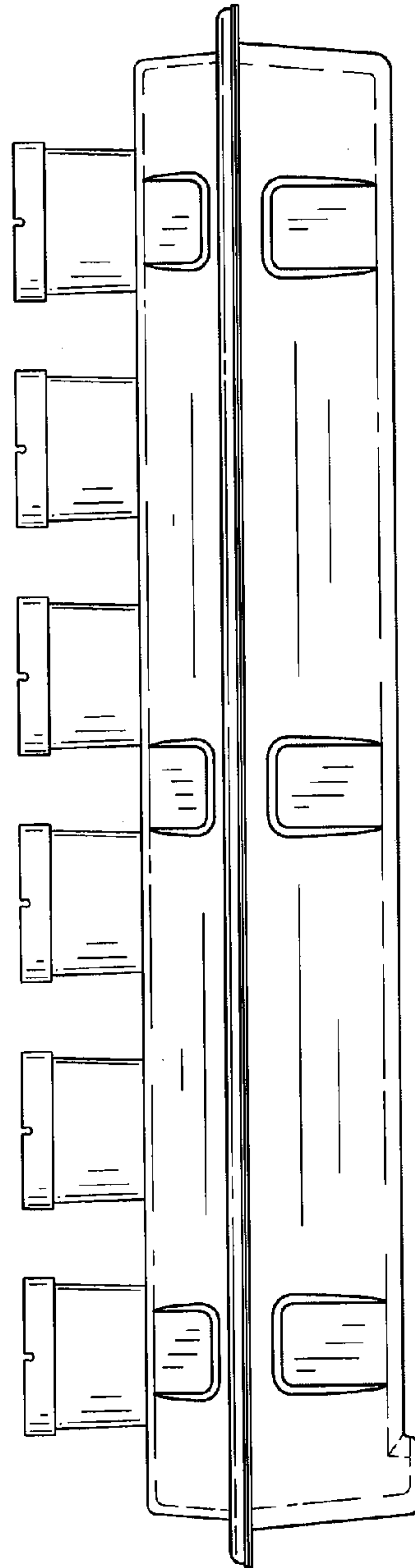


FIG.4

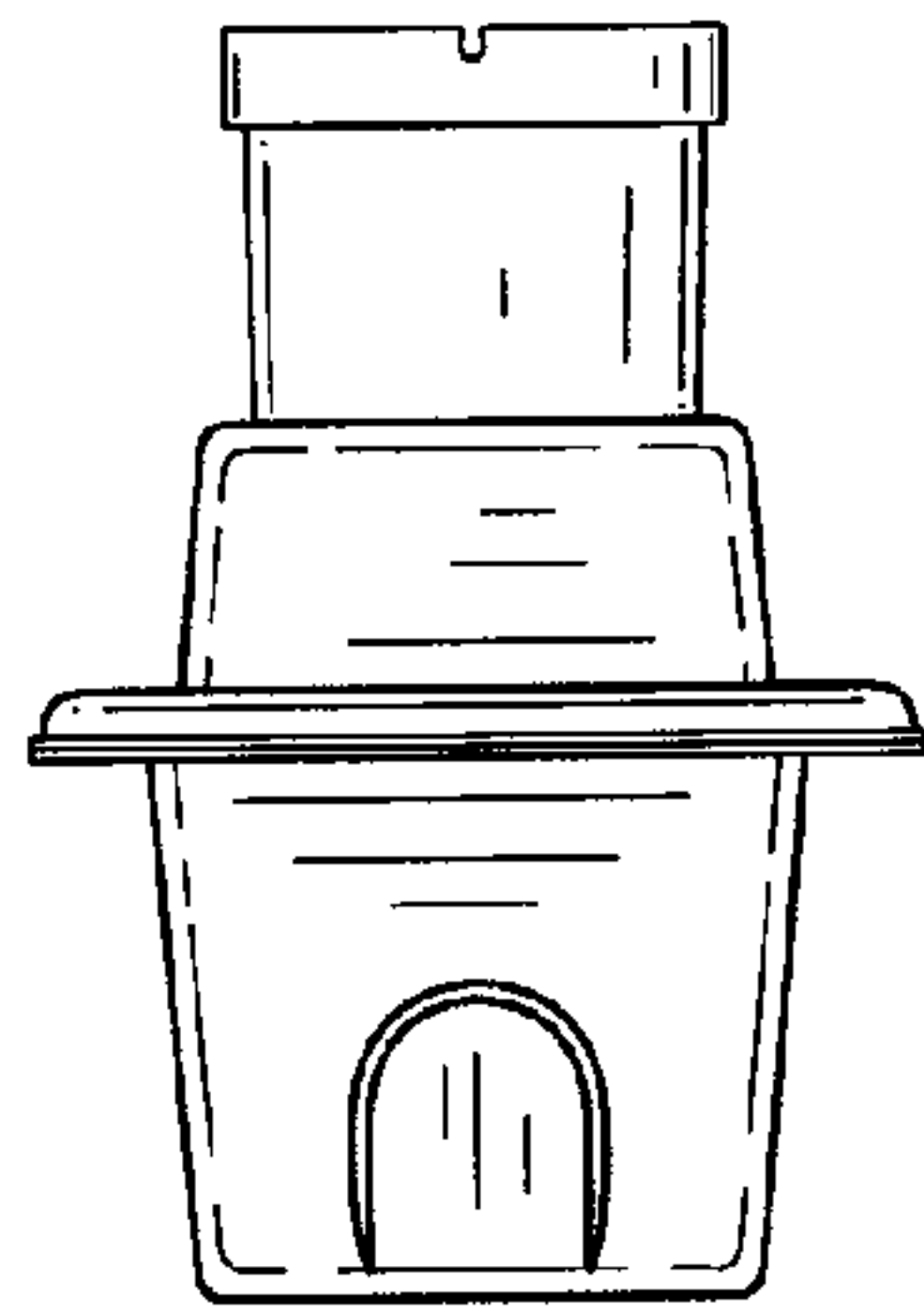


FIG.5

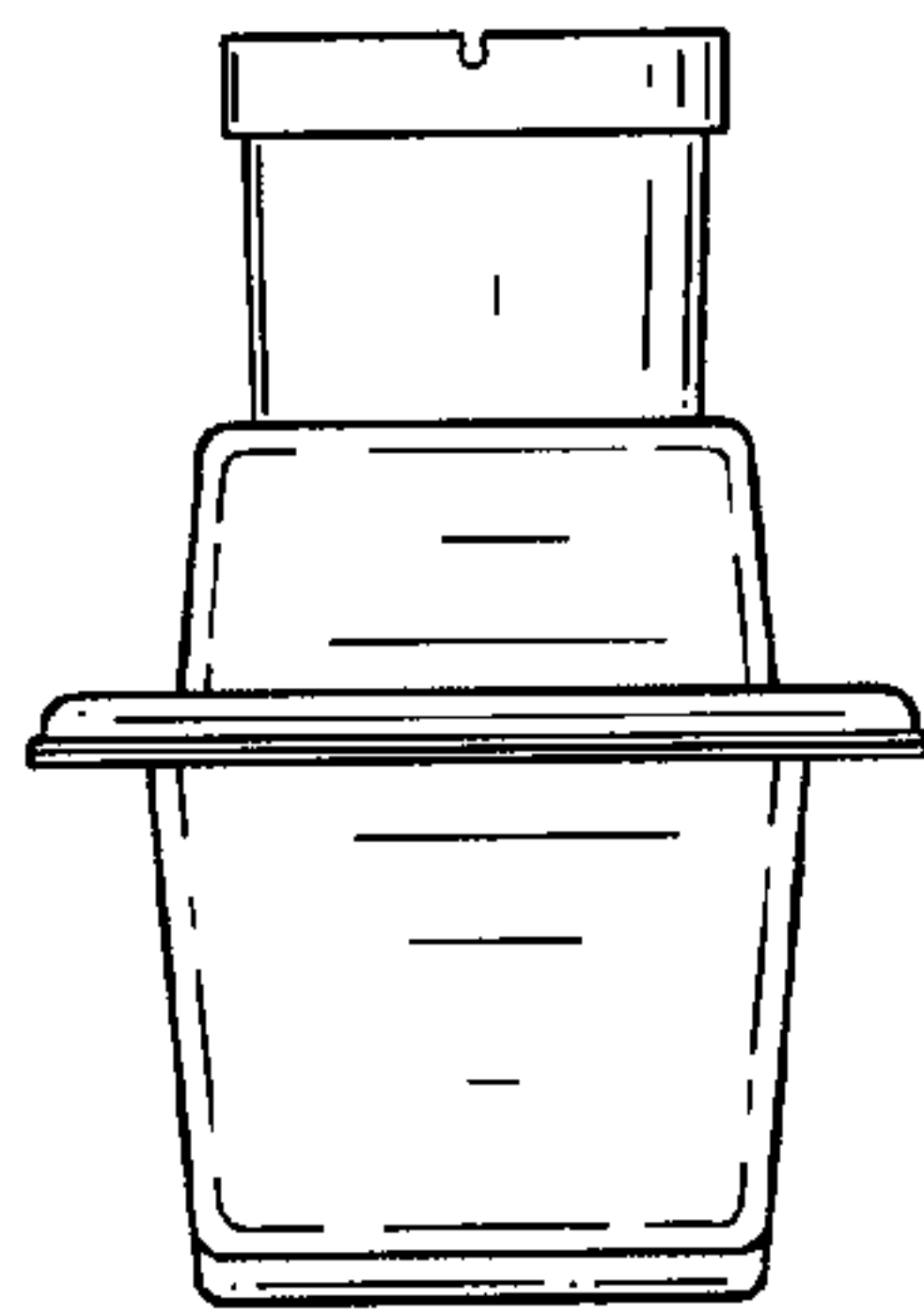


FIG.6

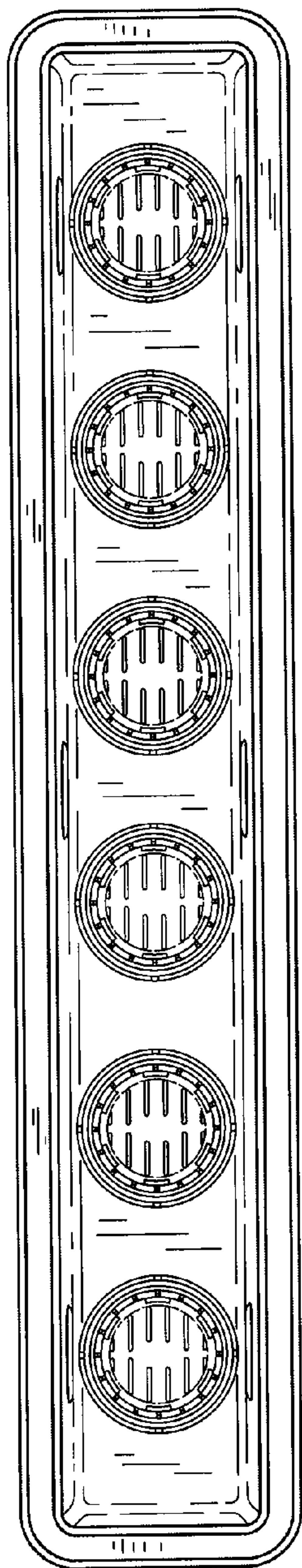


FIG. 7

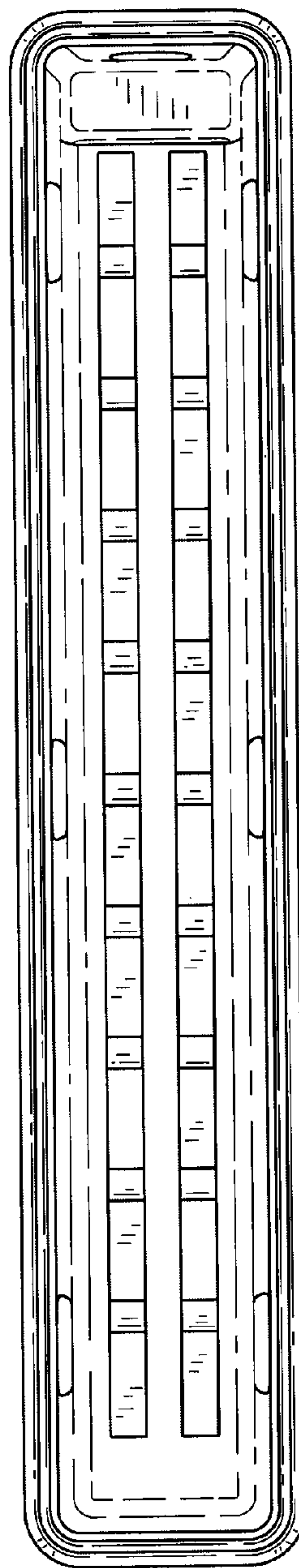


FIG. 8

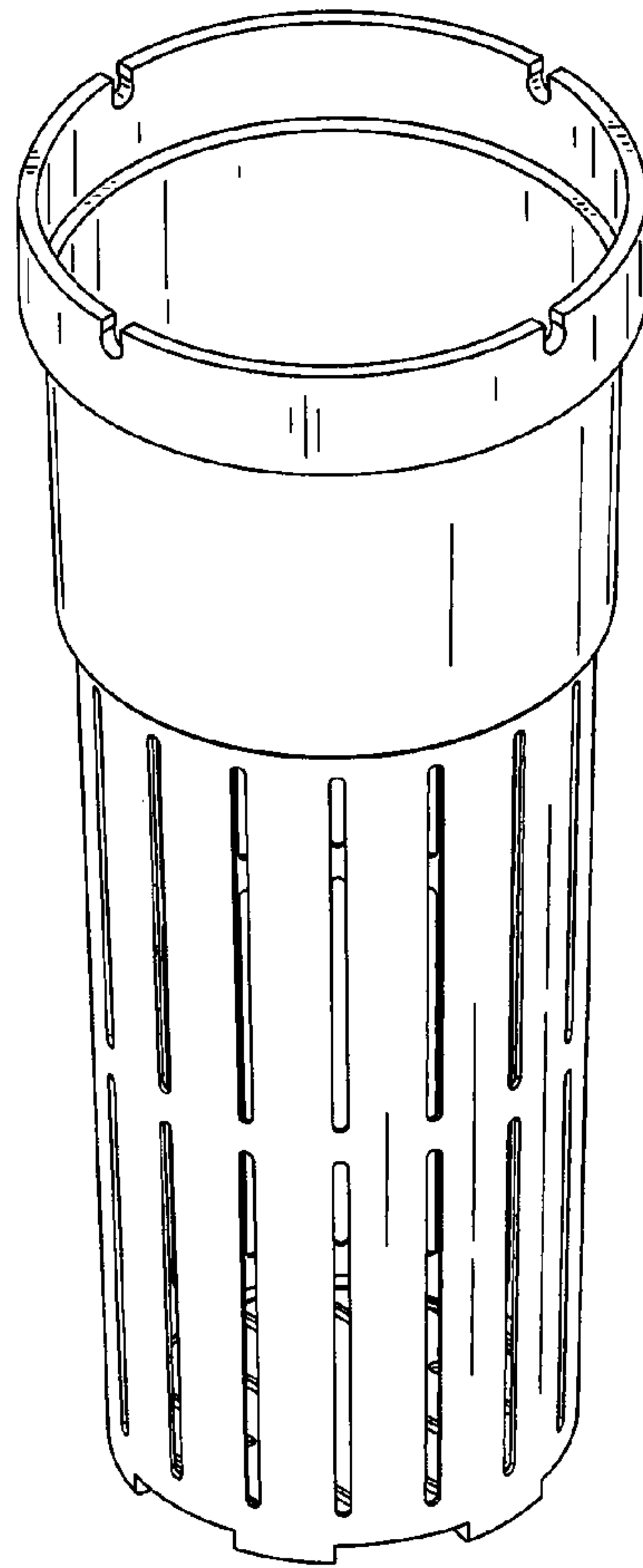


FIG.9

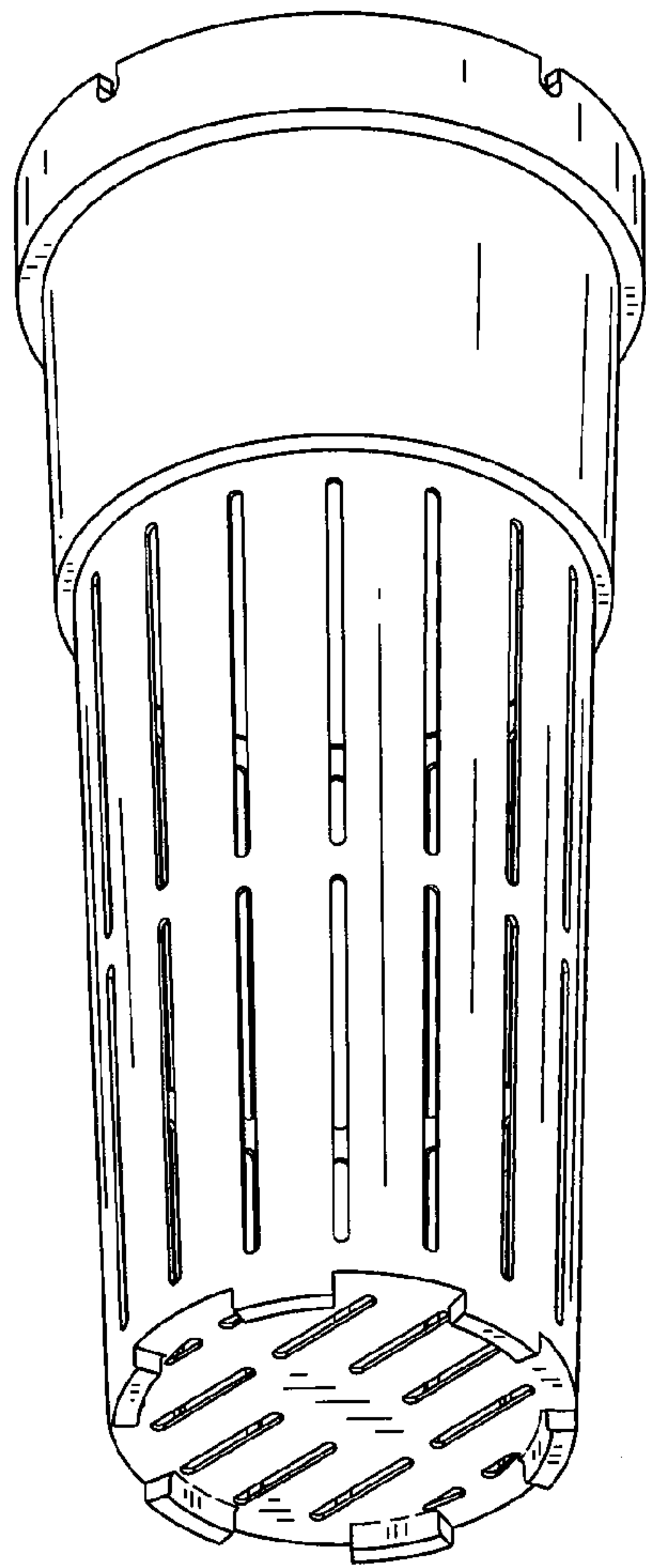


FIG.10

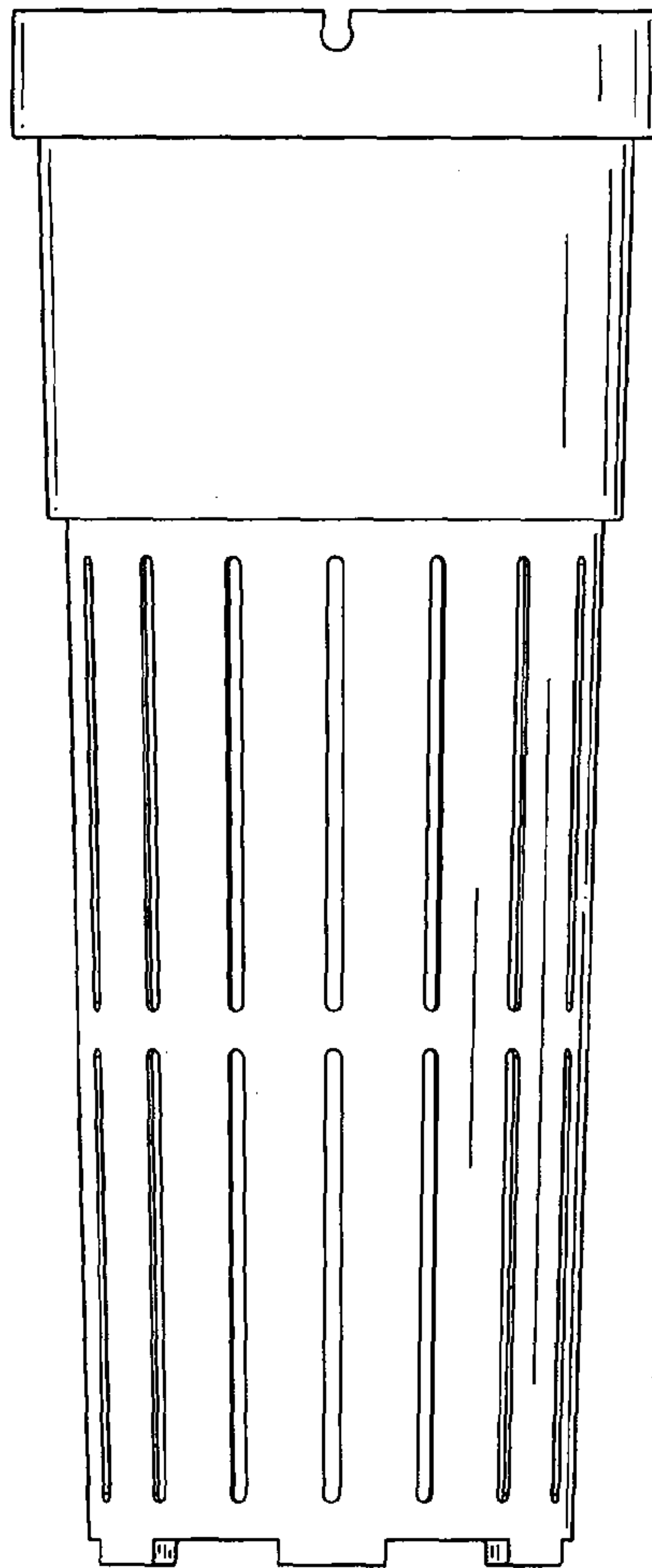


FIG. 11

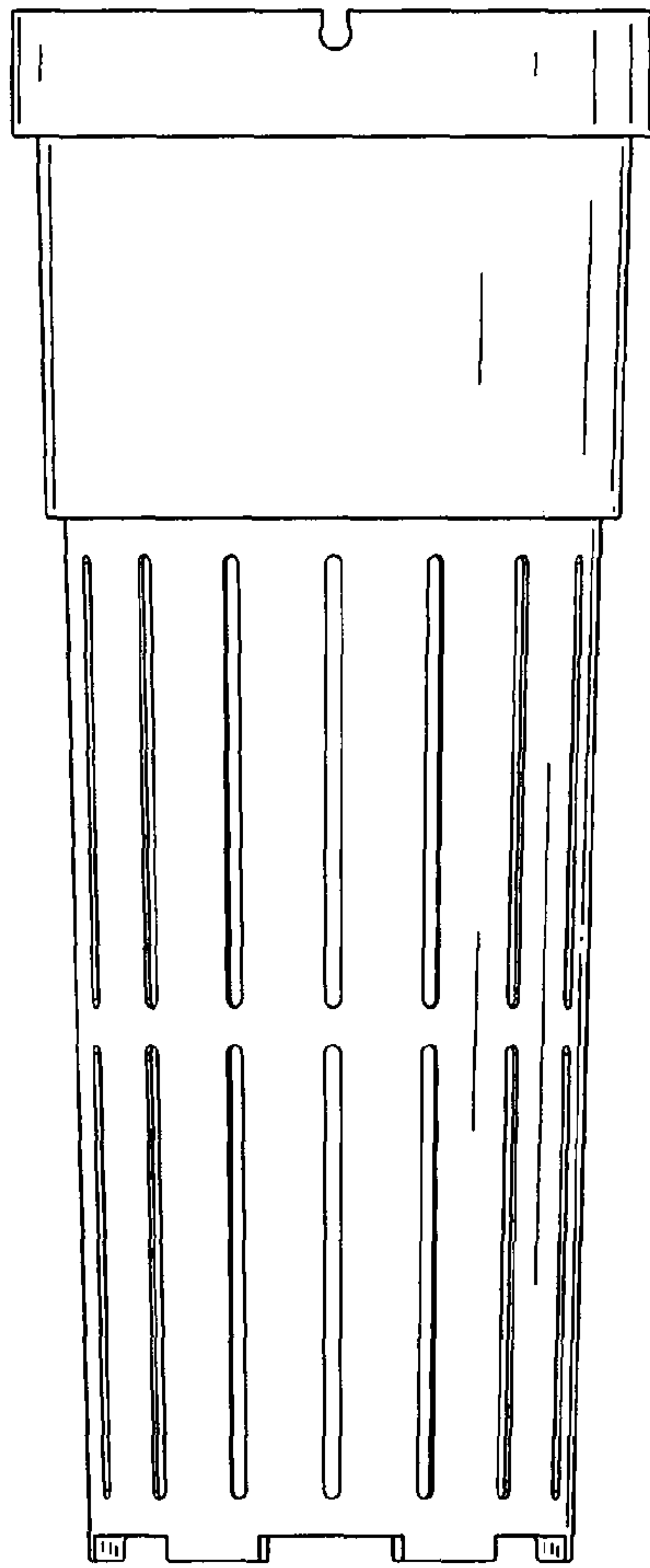


FIG.12

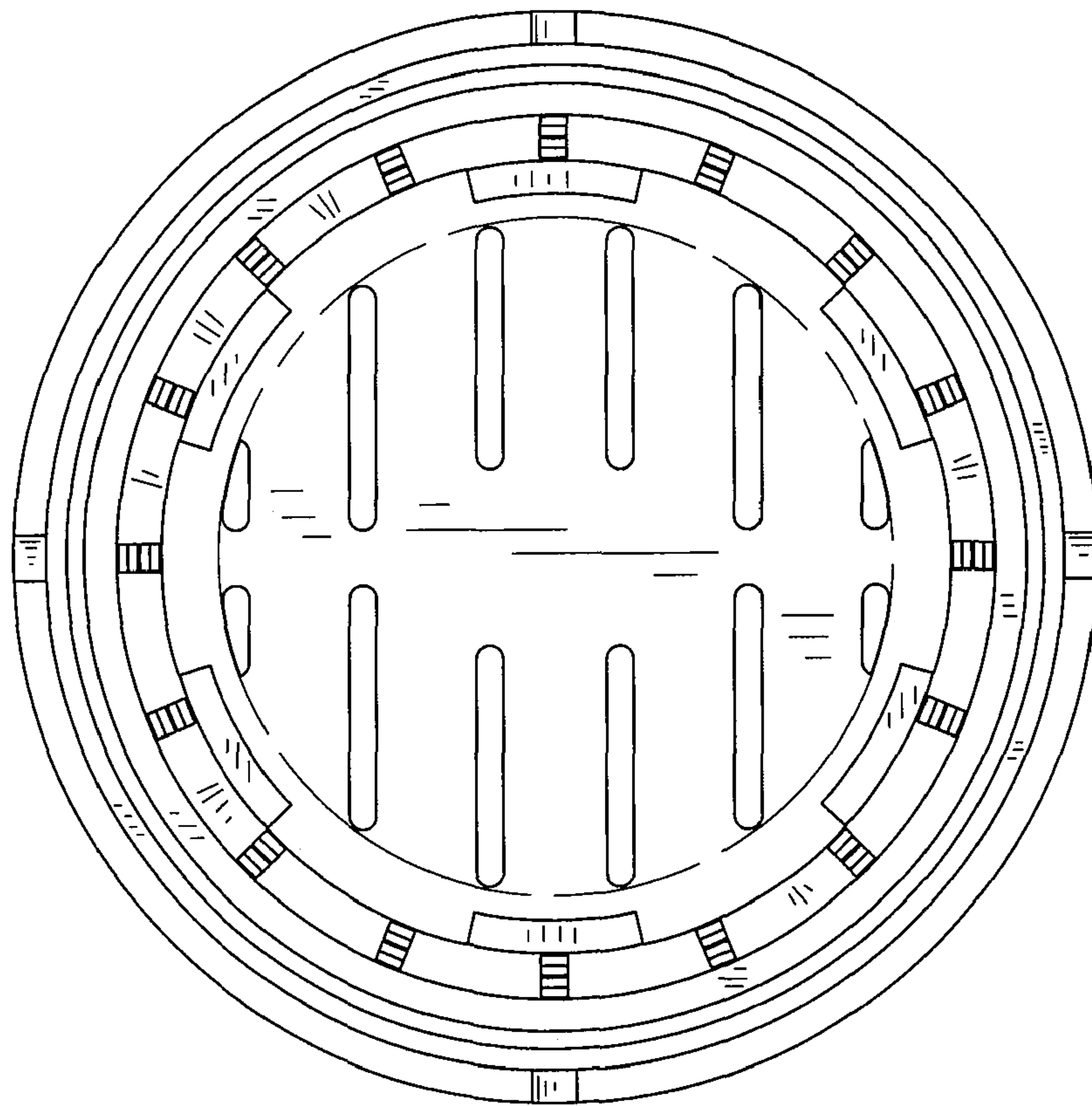


FIG. 13

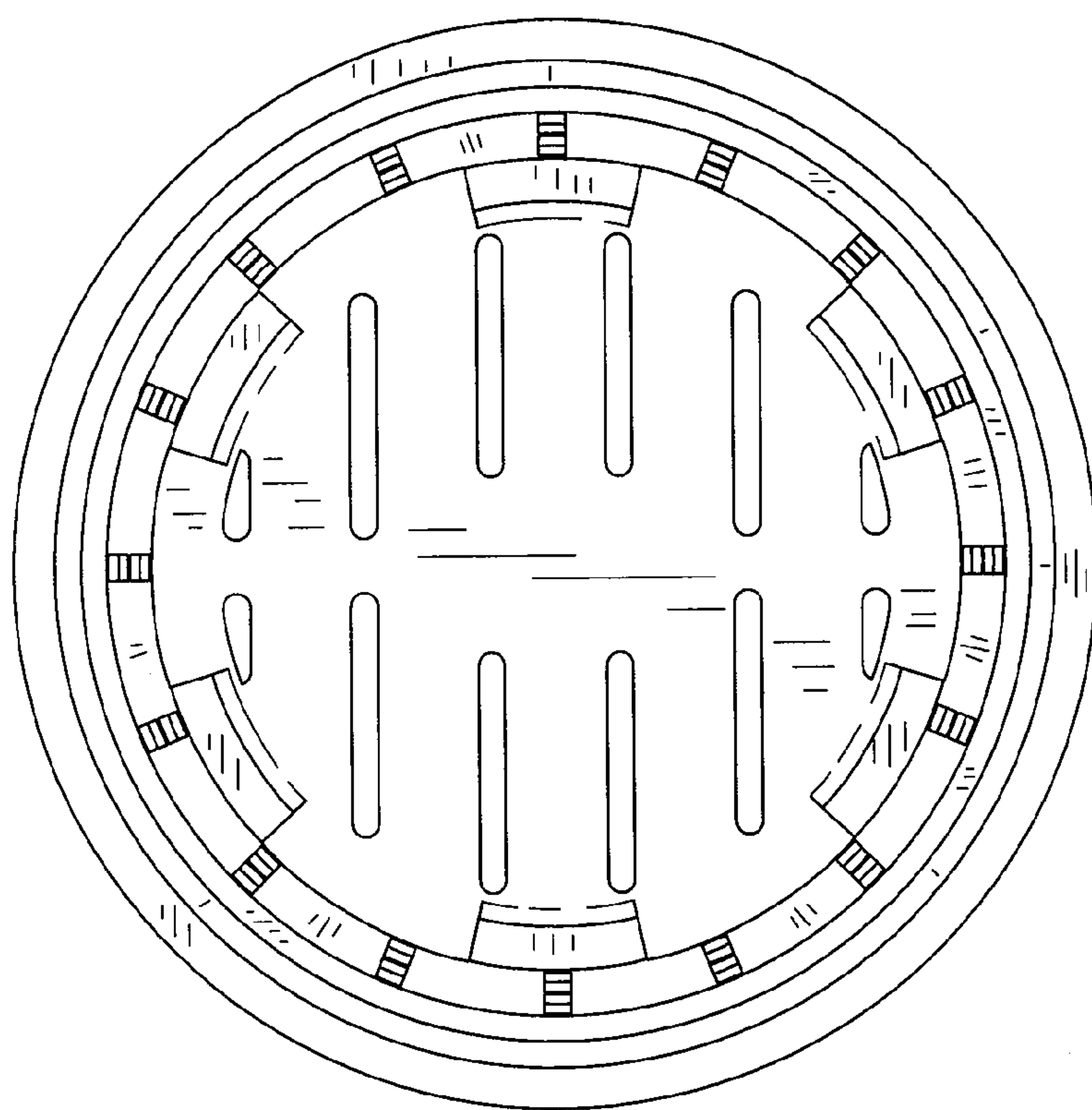


FIG.14

UNITED STATES PATENT AND TRADEMARK OFFICE
CERTIFICATE OF CORRECTION

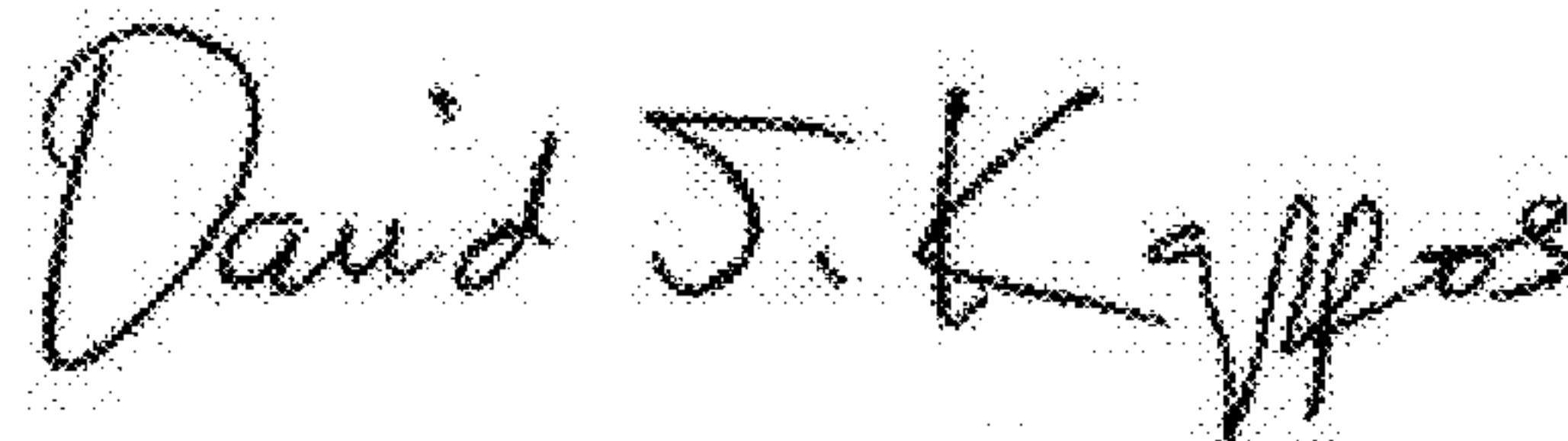
PATENT NO. : D645,779 S
APPLICATION NO. : 29/363620
DATED : September 27, 2011
INVENTOR(S) : Treg Bradley and Benjamin Wilson

Page 1 of 1

It is certified that error appears in the above-identified patent and that said Letters Patent is hereby corrected as shown below:

In Description, column 2, line 3, please delete "FIG. 2" and insert therefor --FIG. 10--.
In Description, column 2, line 4, please delete "FIG. 3" and insert therefor --FIG. 11--.
In Description, column 2, line 5, please delete "FIG. 4" and insert therefor --FIG. 12--.
In Description, column 2, line 6, please delete "FIG. 5" and insert therefor --FIG. 13--.
In Description, column 2, line 7, please delete "FIG. 6" and insert therefor --FIG. 14--.
In Description, column 2, line 8, please delete "FIG. 7" and insert therefor --FIG. 9--.
In Description, column 2, line 10, please delete "FIG. 8" and insert therefor --FIG. 2--.
In Description, column 2, line 11, please delete "FIG. 9" and insert therefor --FIG. 3--.
In Description, column 2, line 12, please delete "FIG. 10" and insert therefor --FIG. 4--.
In Description, column 2, line 13, please delete "FIG. 11" and insert therefor --FIG. 5--.
In Description, column 2, line 14, please delete "FIG. 12" and insert therefor --FIG. 6--.
In Description, column 2, line 15, please delete "FIG. 13" and insert therefor --FIG. 7--.
In Description, column 2, line 16, please delete "FIG. 14" and insert therefor --FIG. 8--.
In Description, column 2, line 17, please delete "7-14" and insert therefor --9-14--.

Signed and Sealed this
Twenty-second Day of November, 2011



David J. Kappos
Director of the United States Patent and Trademark Office