



US00D645778S

(12) **United States Design Patent**
Fakier

(10) **Patent No.:** **US D645,778 S**

(45) **Date of Patent:** **** Sep. 27, 2011**

(54) **DIAMOND**

(76) Inventor: **Gregory C. Fakier**, Houma, LA (US)

(**) Term: **14 Years**

(21) Appl. No.: **29/388,482**

(22) Filed: **Mar. 29, 2011**

Related U.S. Application Data

(60) Division of application No. 29/362,863, filed on Jun. 1, 2010, now Pat. No. Des. 635,050, which is a division of application No. 29/322,096, filed on Jul. 29, 2008, now Pat. No. Des. 616,786, which is a continuation-in-part of application No. 29/299,187, filed on Dec. 20, 2007, now Pat. No. Des. 573,916, which is a division of application No. 29/225,967, filed on Mar. 22, 2005, now Pat. No. Des. 558,636.

(51) **LOC (9) Cl.** **11-01**

(52) **U.S. Cl.** **D11/90**

(58) **Field of Classification Search** D11/1-2,
D11/26-29, 89-92; 63/26-28, 32
See application file for complete search history.

(56) **References Cited**

U.S. PATENT DOCUMENTS

6,029,474 A * 2/2000 Bunz 63/32
D440,902 S * 4/2001 Wolf D11/90
D478,528 S * 8/2003 Mehta et al. D11/90

D486,752 S * 2/2004 Namdar D11/90
6,745,596 B2 * 6/2004 Wueste 63/32
D587,617 S * 3/2009 Renner D11/89
D588,039 S * 3/2009 Renner D11/89
D596,981 S * 7/2009 Hodara D11/90
D616,328 S * 5/2010 So D11/90

* cited by examiner

Primary Examiner — Ralf Seifert

(74) *Attorney, Agent, or Firm* — Garvey, Smith, Nehrass & North, L.L.C.; Seth M. Nehrass; Vanessa M. D'Souza

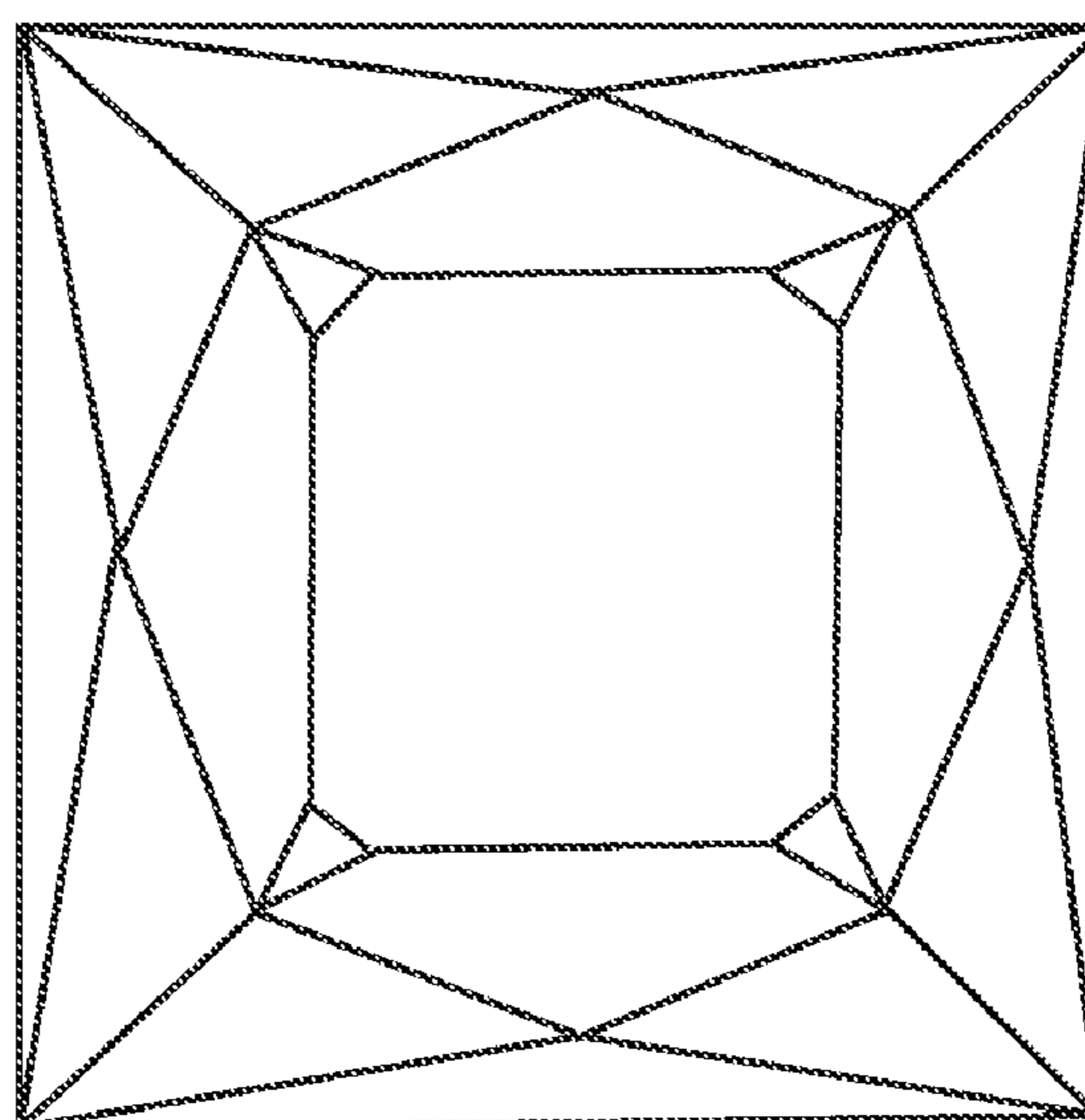
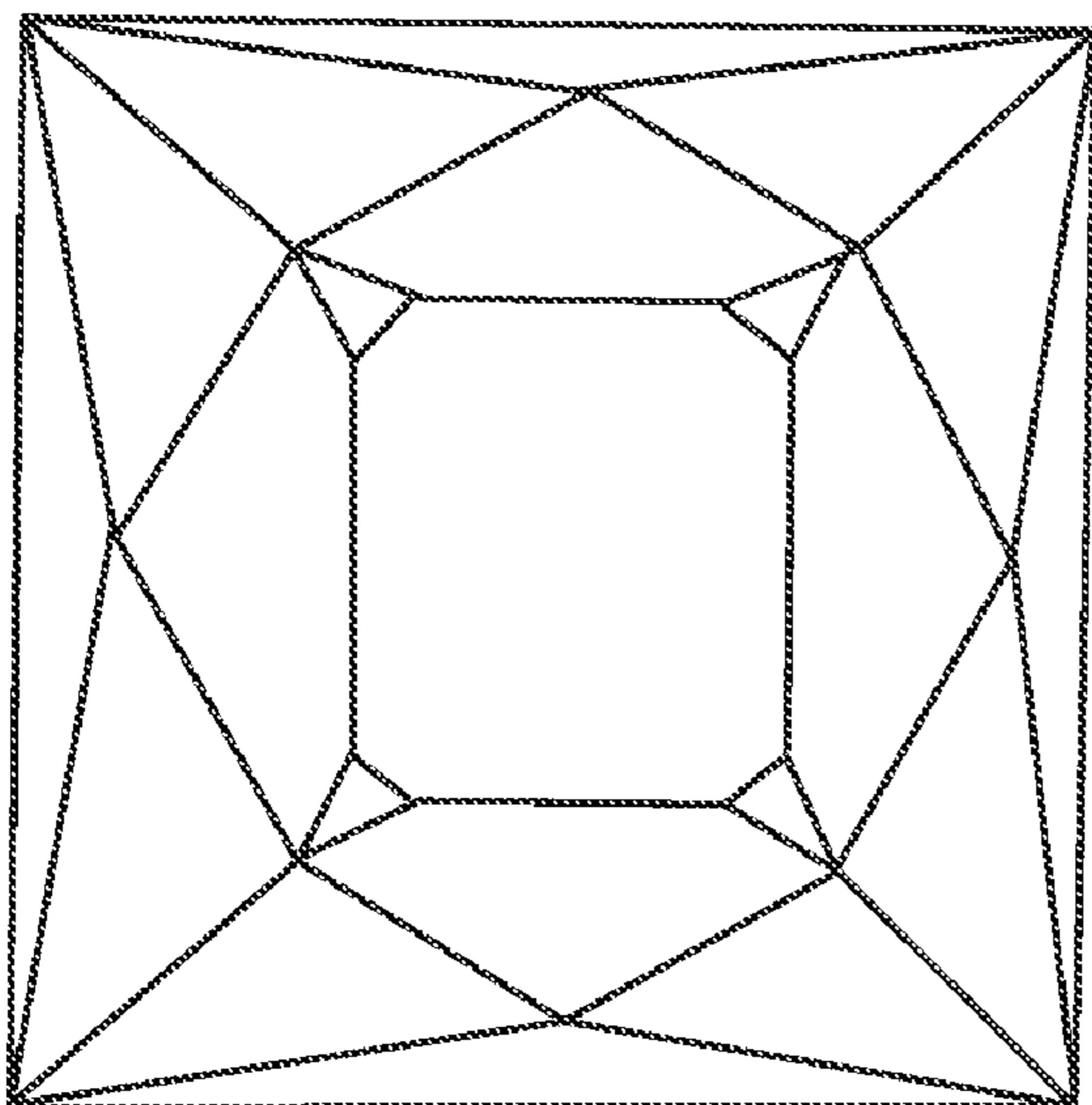
(57) **CLAIM**

The ornamental design for a diamond, as shown and described.

DESCRIPTION

FIG. 1 is a top plan view of a diamond showing my new design;
FIG. 2 is a point side view;
FIG. 3 is flat side view;
FIG. 4 is top plan view of a diamond showing the second embodiment of my new design;
FIG. 5 is a point side view of FIG. 4; and,
FIG. 6 is a flat side view of FIG. 4.

1 Claim, 1 Drawing Sheet



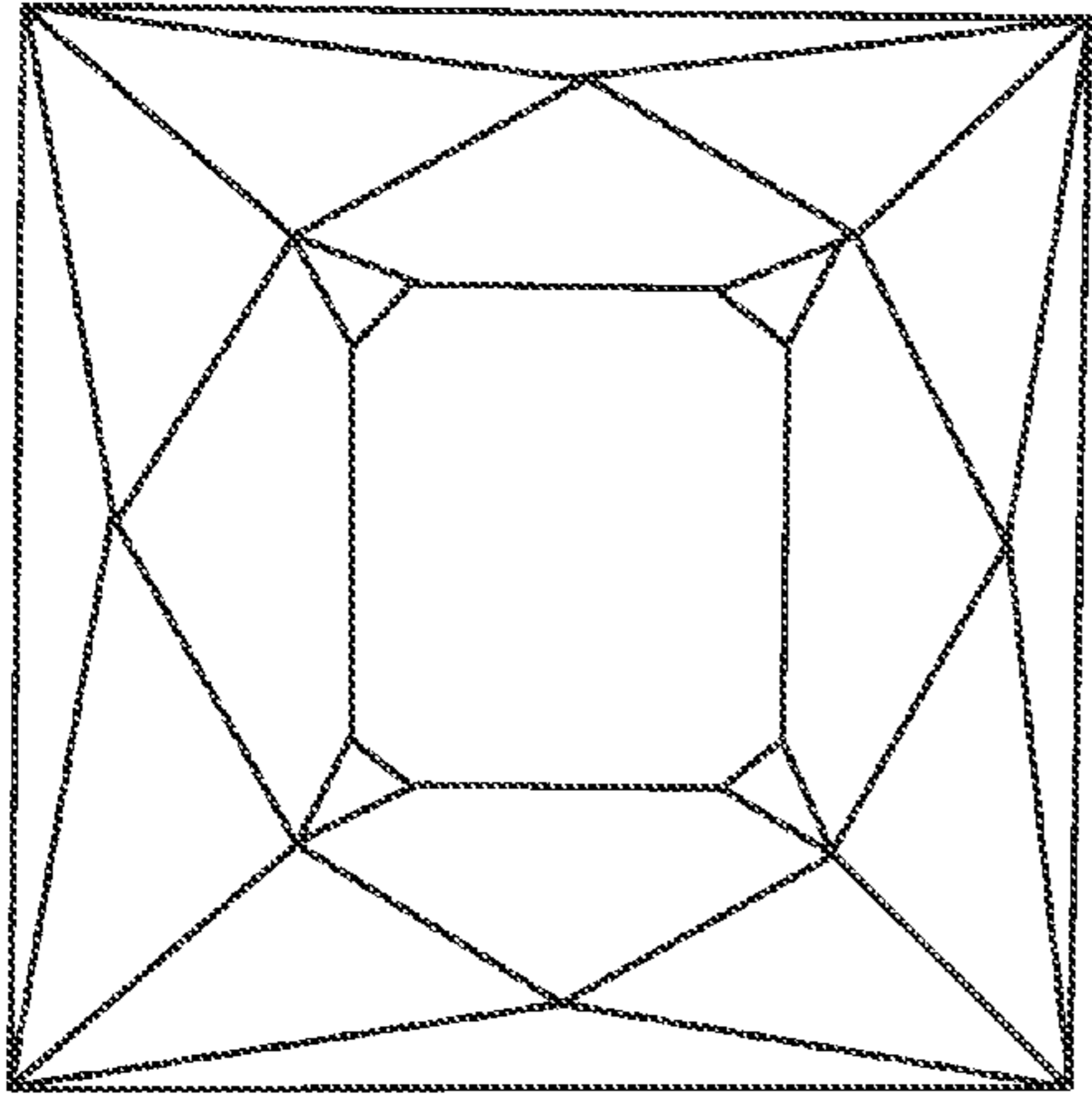


FIG. 1

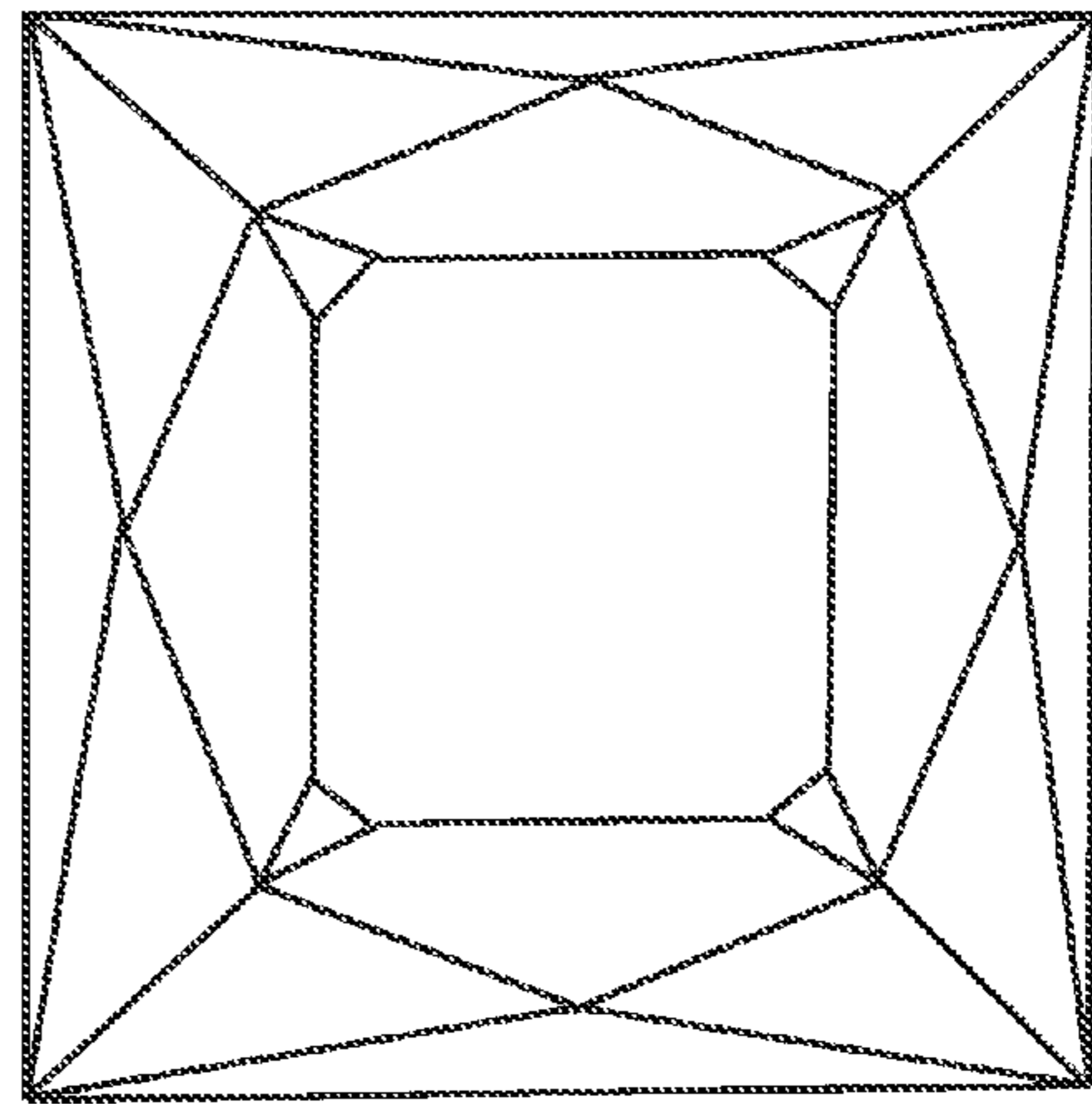


FIG. 4

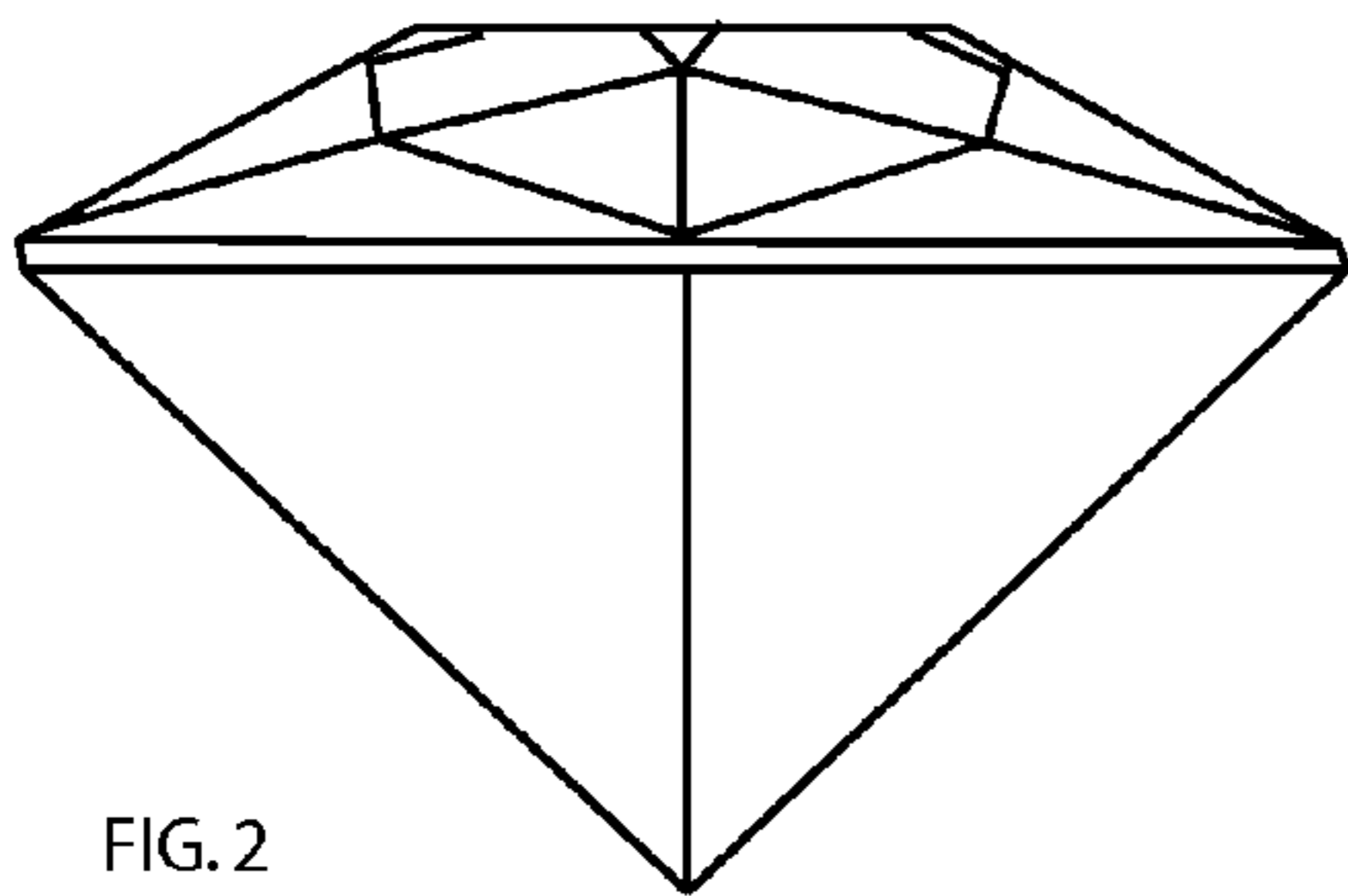


FIG. 2

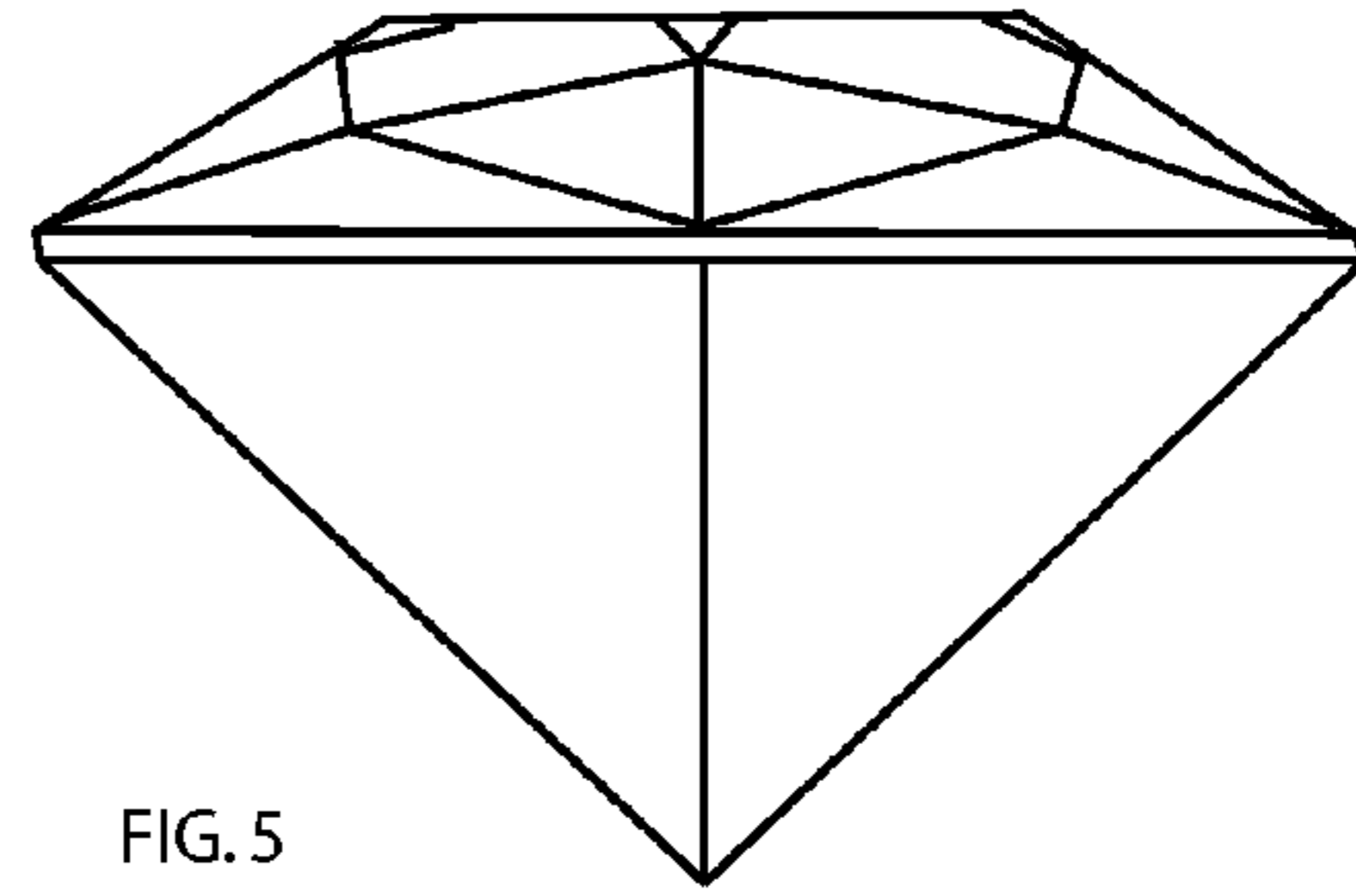


FIG. 5

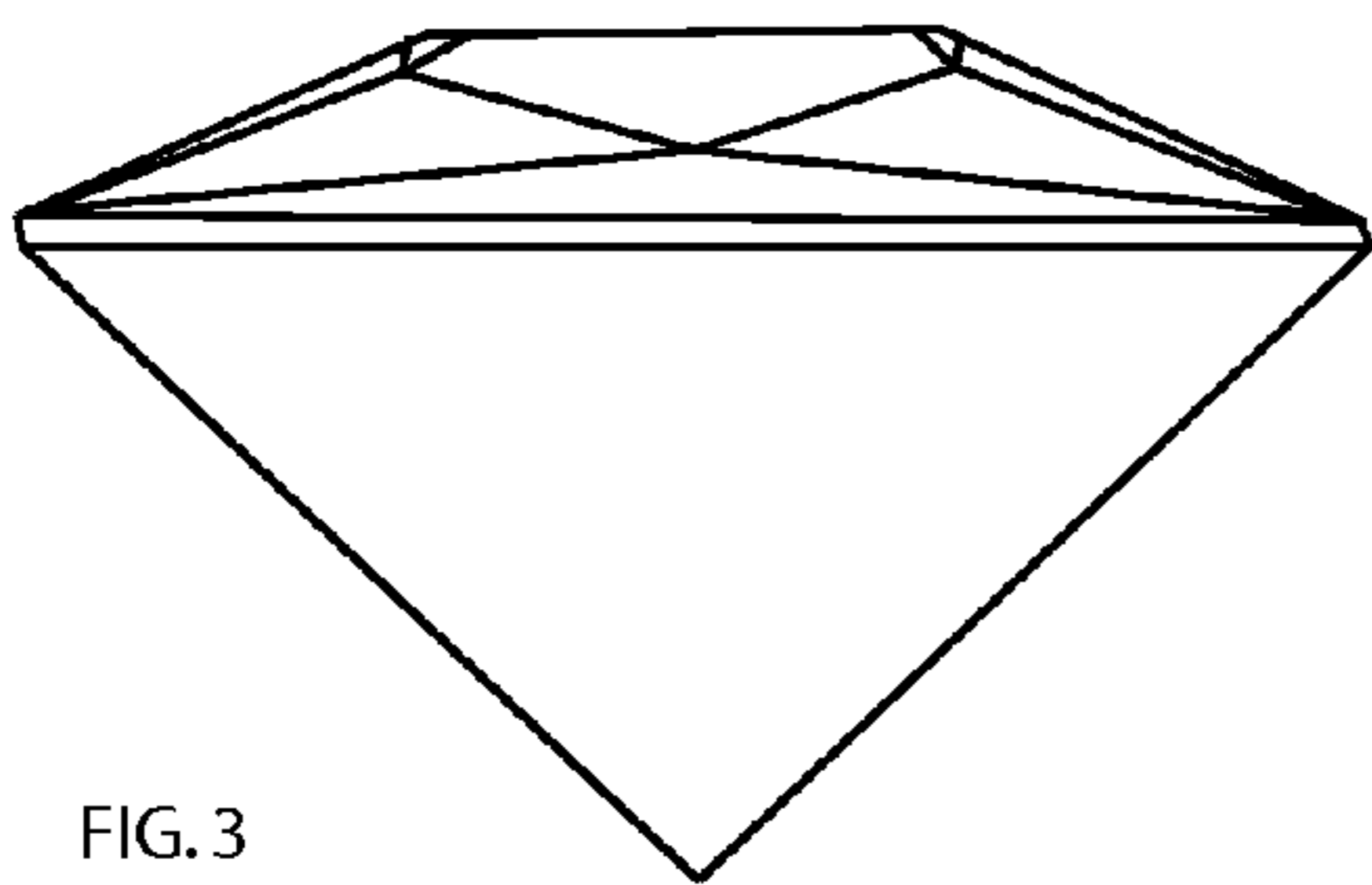


FIG. 3

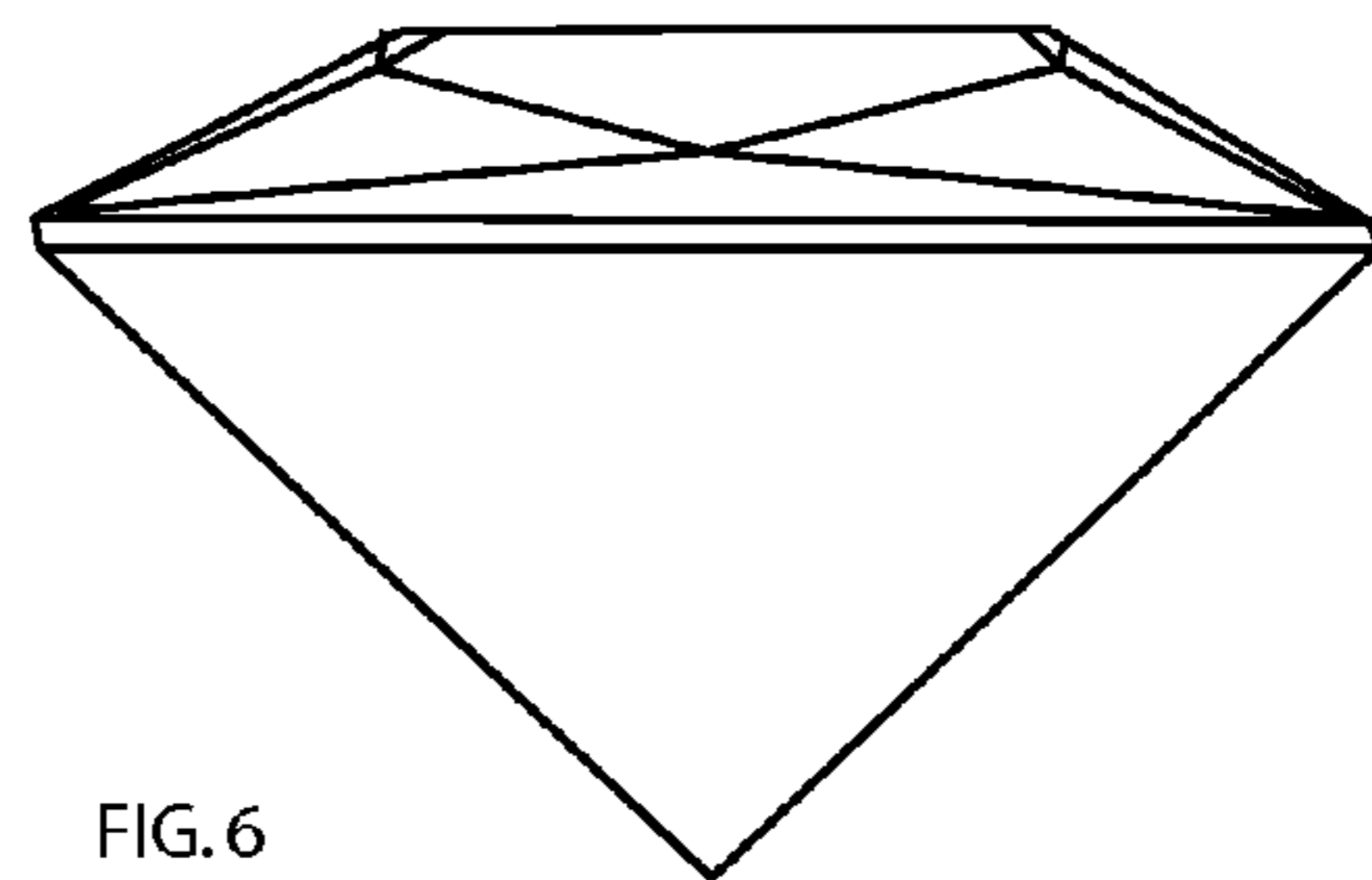


FIG. 6