



US00D645775S

(12) **United States Design Patent**
Adkins

(10) **Patent No.:** **US D645,775 S**

(45) **Date of Patent:** **** Sep. 27, 2011**

(54) **BRACELET**

(75) Inventor: **Mark Adkins**, East Brunswick, NJ (US)

(73) Assignee: **Lutte Licensing Group**, Columbus, OH (US)

(**) Term: **14 Years**

(21) Appl. No.: **29/388,006**

(22) Filed: **Mar. 23, 2011**

(51) **LOC (9) Cl.** **11-01**

(52) **U.S. Cl.** **D11/3**

(58) **Field of Classification Search** D11/1-25,
D11/26, 39; 63/12, 13, 14, 3, 3.1, 3.2, 4,
63/5.1, 5.2, 6; D10/30-32

See application file for complete search history.

(56) **References Cited**

U.S. PATENT DOCUMENTS

D148,183 S * 12/1947 Packales D11/2
D254,198 S * 2/1980 Hardy D11/4
D303,639 S * 9/1989 Wagner D11/4

D425,667 S * 5/2000 Quinn D28/73
D519,396 S * 4/2006 Migliorati D11/4
D591,633 S * 5/2009 Del Valle D11/3
D606,315 S * 12/2009 Mangano et al. D3/318
D632,202 S * 2/2011 Rodarmel D11/3

* cited by examiner

Primary Examiner — Cathron C Brooks

Assistant Examiner — Melanie Levy

(74) *Attorney, Agent, or Firm* — Rankin, Hill & Clark LLP

(57) **CLAIM**

The ornamental design for a bracelet, as shown and described.

DESCRIPTION

FIG. 1 is a top and left side perspective view of a bracelet showing my new design;

FIG. 2 is a top plan view, the bottom plan view being a mirror image thereof;

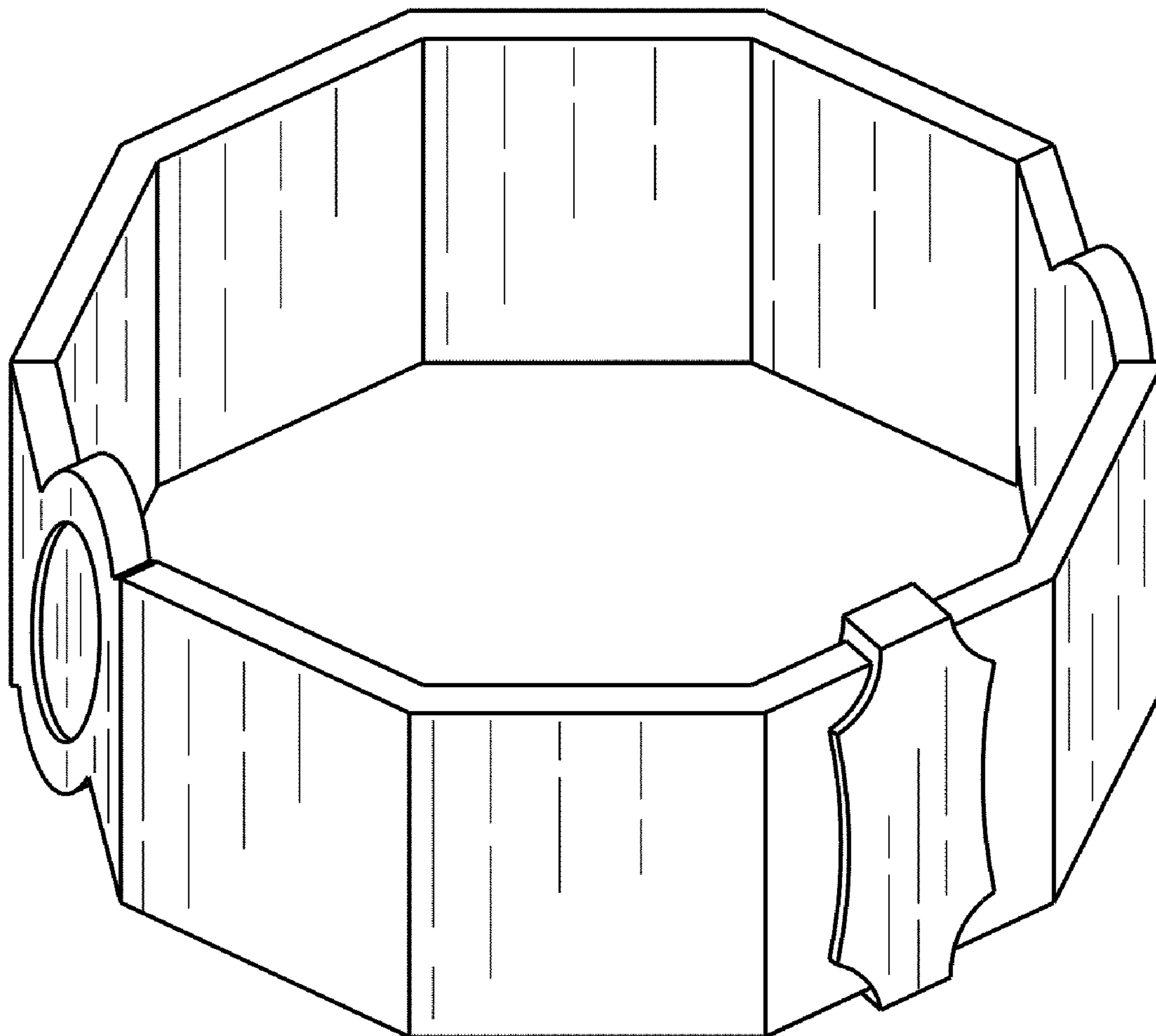
FIG. 3 is a front elevational view thereof;

FIG. 4 is a rear elevational view thereof;

FIG. 5 is a left side elevational view; and,

FIG. 6 is a right side elevational view.

1 Claim, 2 Drawing Sheets



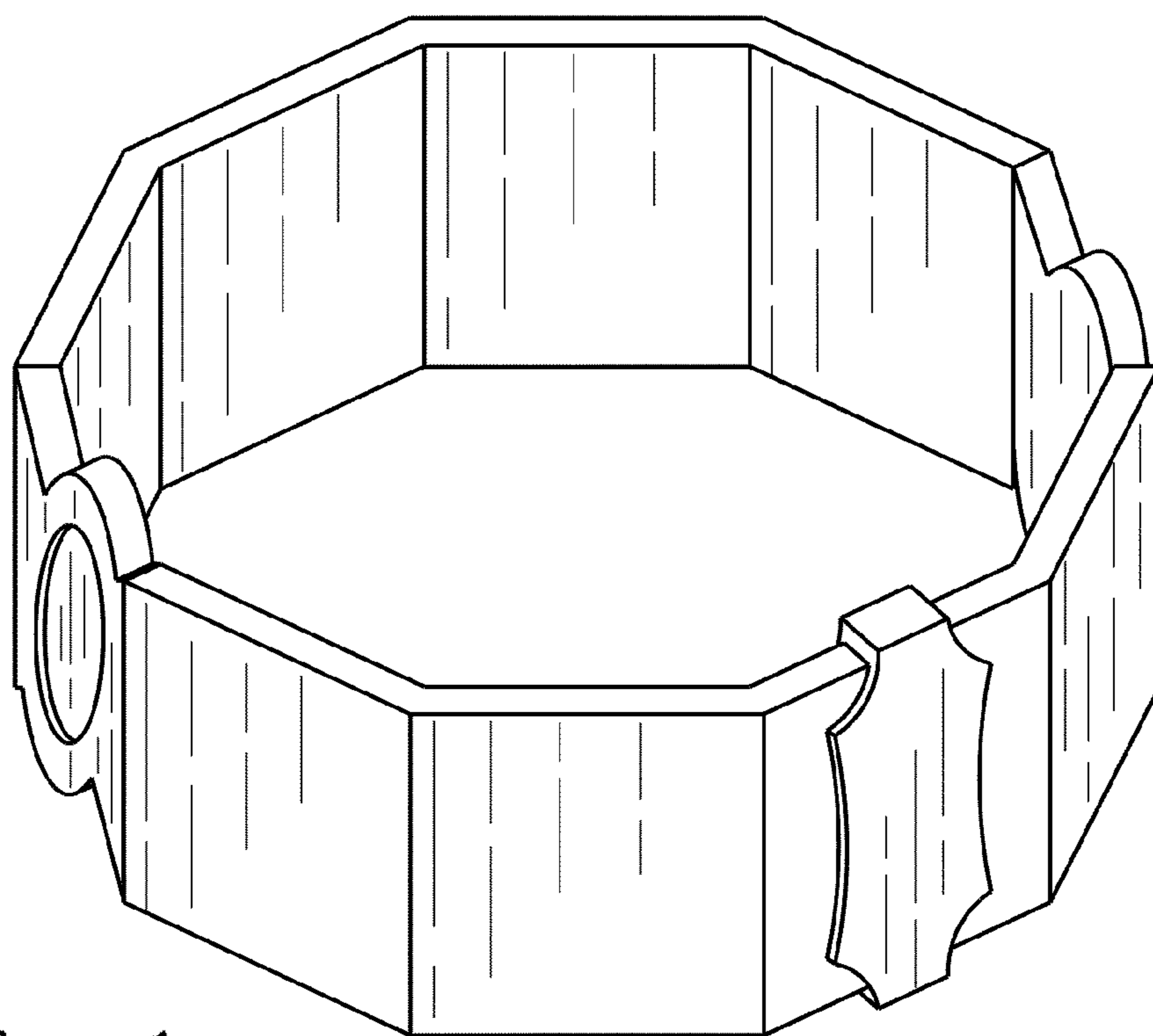


Fig. 1

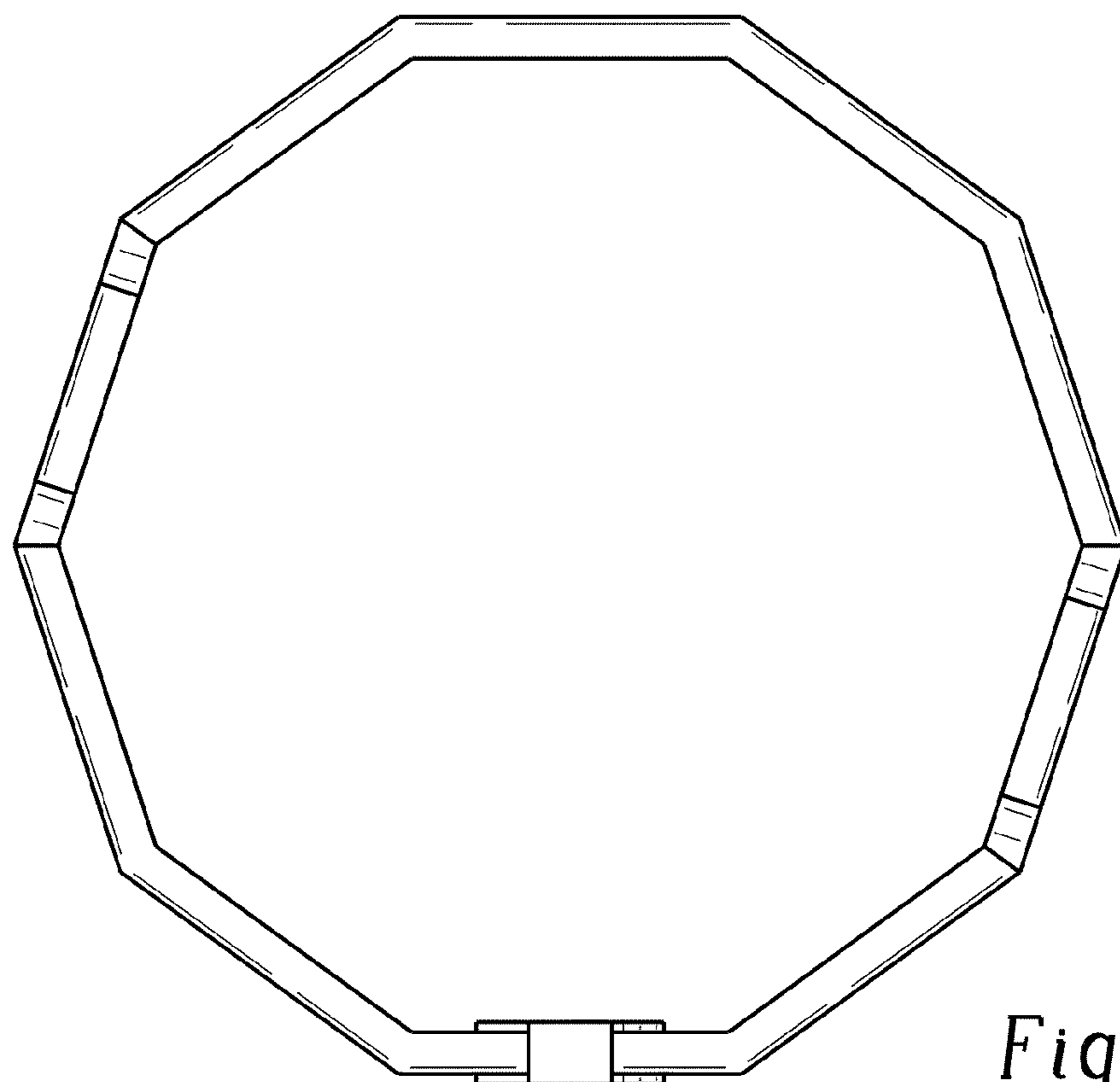


Fig. 2

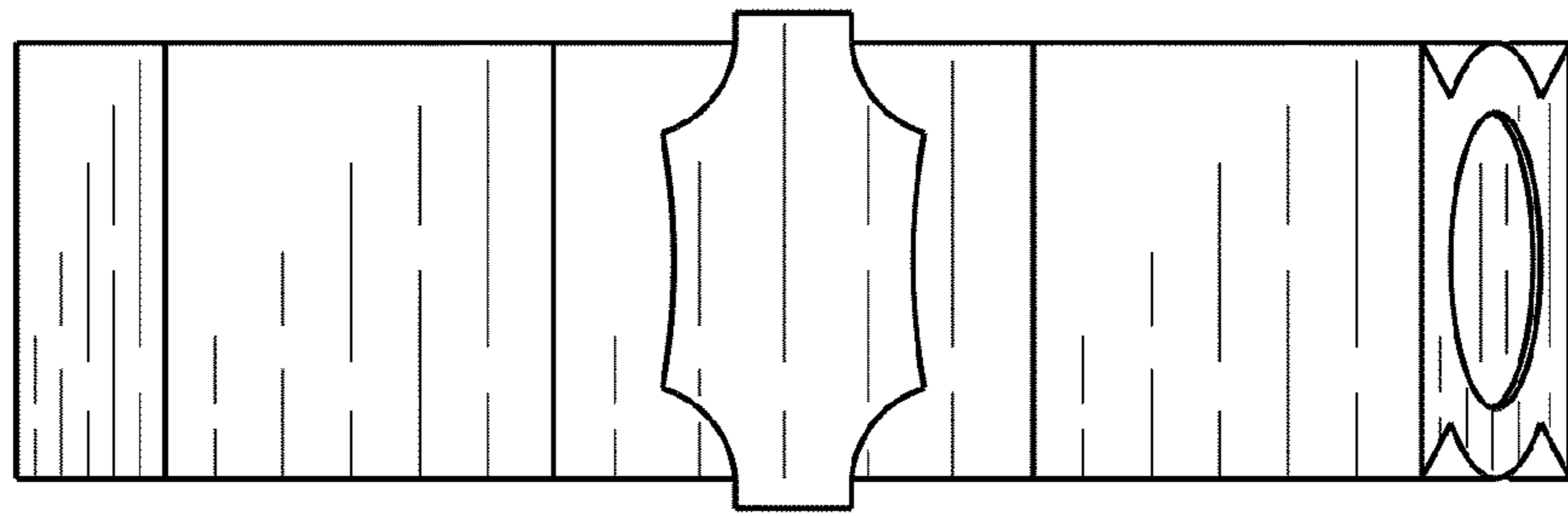


Fig. 3

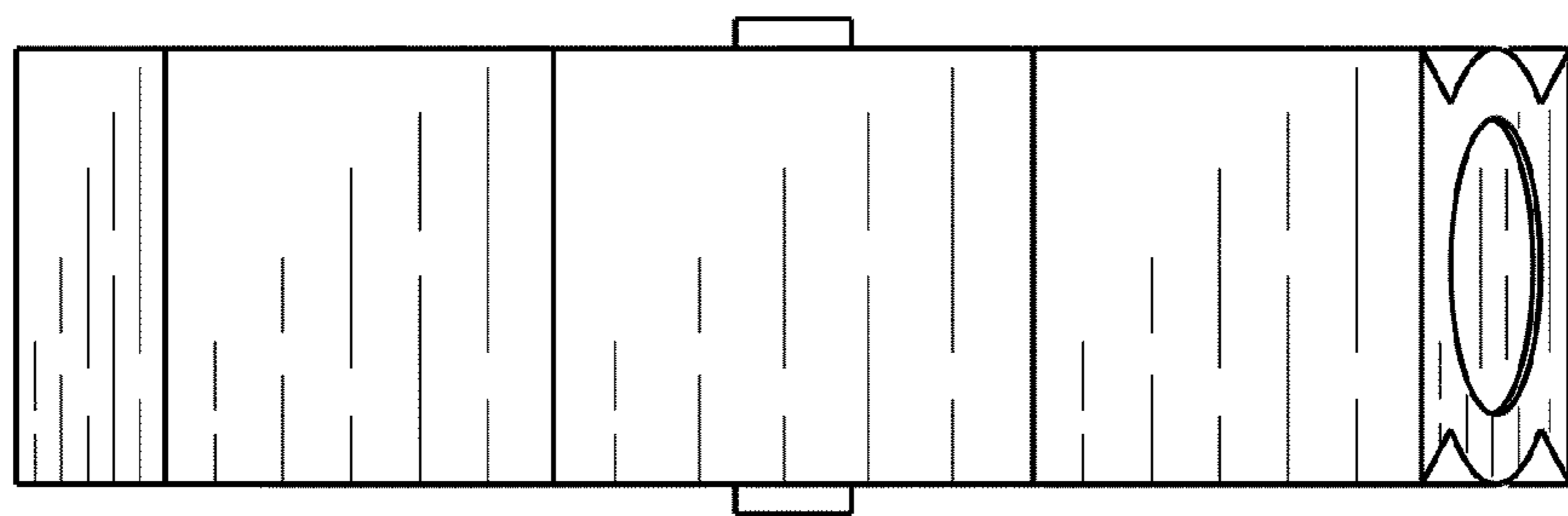


Fig. 4

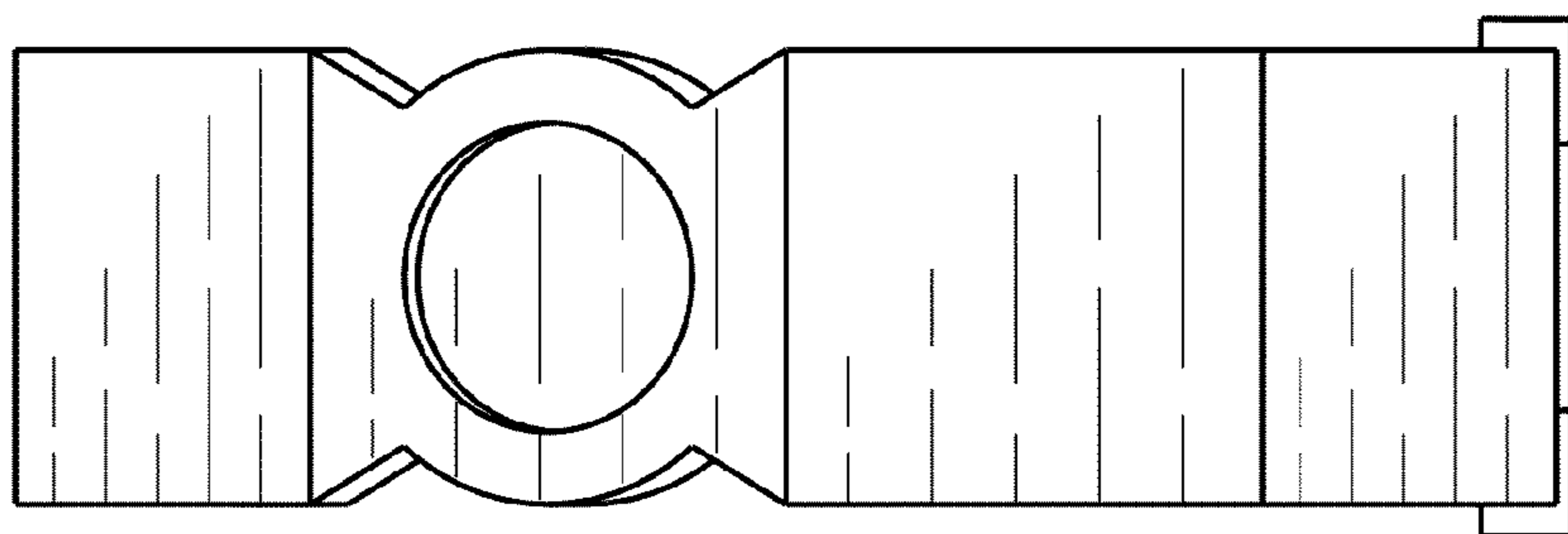


Fig. 5

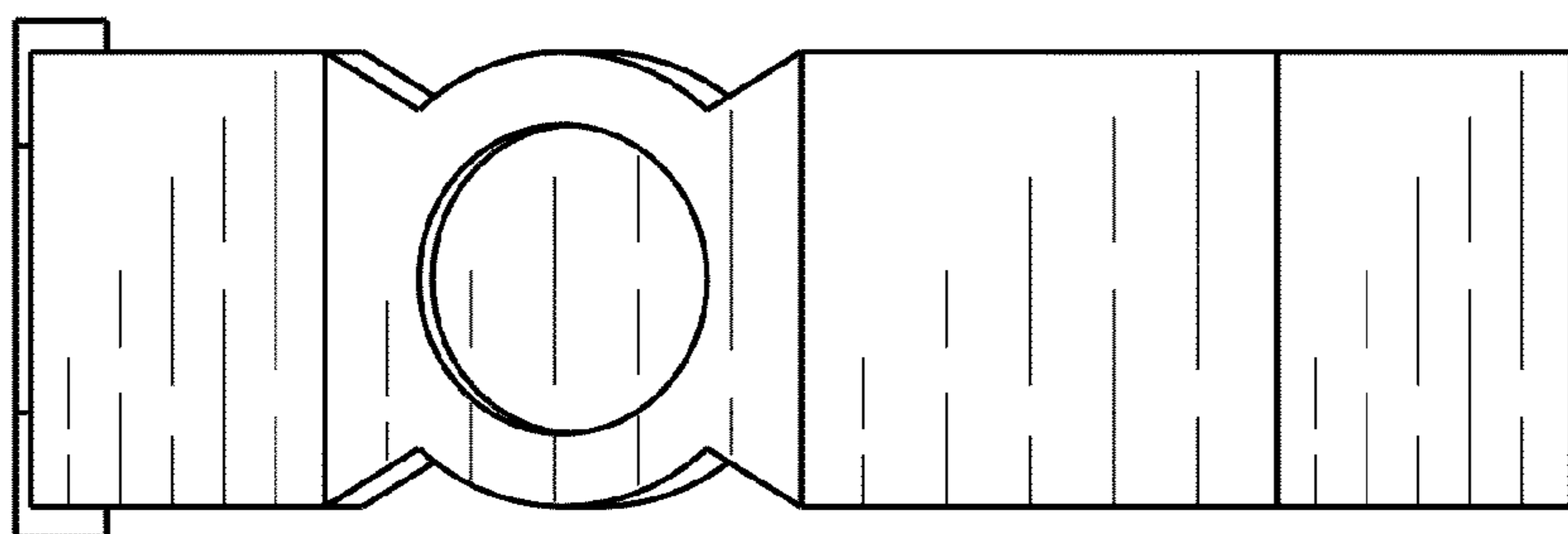


Fig. 6