



US00D645771S

(12) **United States Design Patent**
Shin et al.

(10) **Patent No.:** **US D645,771 S**

(45) **Date of Patent:** **** Sep. 27, 2011**

(54) **PORTABLE FINGERPRINT RECOGNITION APPARATUS**

(75) Inventors: **Yo-shik Shin**, Seoul (KR); **Geum-yong Kim**, Seoul (KR)

(73) Assignee: **UNION COMMUNITY Co., Ltd.**, Seoul (KR)

(**) Term: **14 Years**

(21) Appl. No.: **29/363,595**

(22) Filed: **Jun. 11, 2010**

(30) **Foreign Application Priority Data**

Dec. 17, 2009 (KR) 30-2009-0055561

(51) **LOC (9) Cl.** **10-05**

(52) **U.S. Cl.** **D10/106.1; D14/384**

(58) **Field of Classification Search** D10/104.1, D10/106.6; D14/140.5, 384; 235/382; 382/124
See application file for complete search history.

(56) **References Cited**

U.S. PATENT DOCUMENTS

| | | | | |
|-----------|------|--------|-----------------------|---------|
| D308,863 | S * | 6/1990 | Soren et al. | D14/384 |
| D397,683 | S * | 9/1998 | Sakamoto et al. | D14/384 |
| 5,960,100 | A * | 9/1999 | Hargrove | 382/124 |
| 6,111,977 | A * | 8/2000 | Scott et al. | 382/124 |
| D487,266 | S * | 3/2004 | Morimiya | D14/384 |
| 7,073,711 | B2 * | 7/2006 | Fernandez et al. | 235/382 |
| 7,181,053 | B2 * | 2/2007 | Wang et al. | 382/124 |

* cited by examiner

Primary Examiner — Caron D Veynar

Assistant Examiner — George D Kirschbaum

(74) *Attorney, Agent, or Firm* — Stein McEwen, LLP

(57) **CLAIM**

The ornamental design for a portable fingerprint recognition apparatus, as shown and described.

DESCRIPTION

FIG. 1 is a perspective view of a portable fingerprint recognition apparatus showing our new design;
 FIG. 2 is a front elevational view thereof;
 FIG. 3 is a rear elevational view thereof;
 FIG. 4 is a left side elevational view thereof;
 FIG. 5 is a right side elevational view thereof;
 FIG. 6 is a top plan view thereof;
 FIG. 7 is a bottom plan view thereof;
 FIG. 8 is a perspective view thereof in a condition that the upper cover thereof is opened upward and the inner window for recognition is exposed;
 FIG. 9 is a front elevational view thereof in a condition that the upper cover is opened;
 FIG. 10 is a rear elevational view thereof in a condition that the upper cover is opened;
 FIG. 11 is a left side elevational view thereof in a condition that the upper cover is opened;
 FIG. 12 is a right side elevational view thereof in a condition that the upper cover is opened;
 FIG. 13 is a top plan view thereof in a condition that the upper cover is opened; and,
 FIG. 14 is a bottom plan view thereof in a condition that the upper cover is opened.

1 Claim, 9 Drawing Sheets

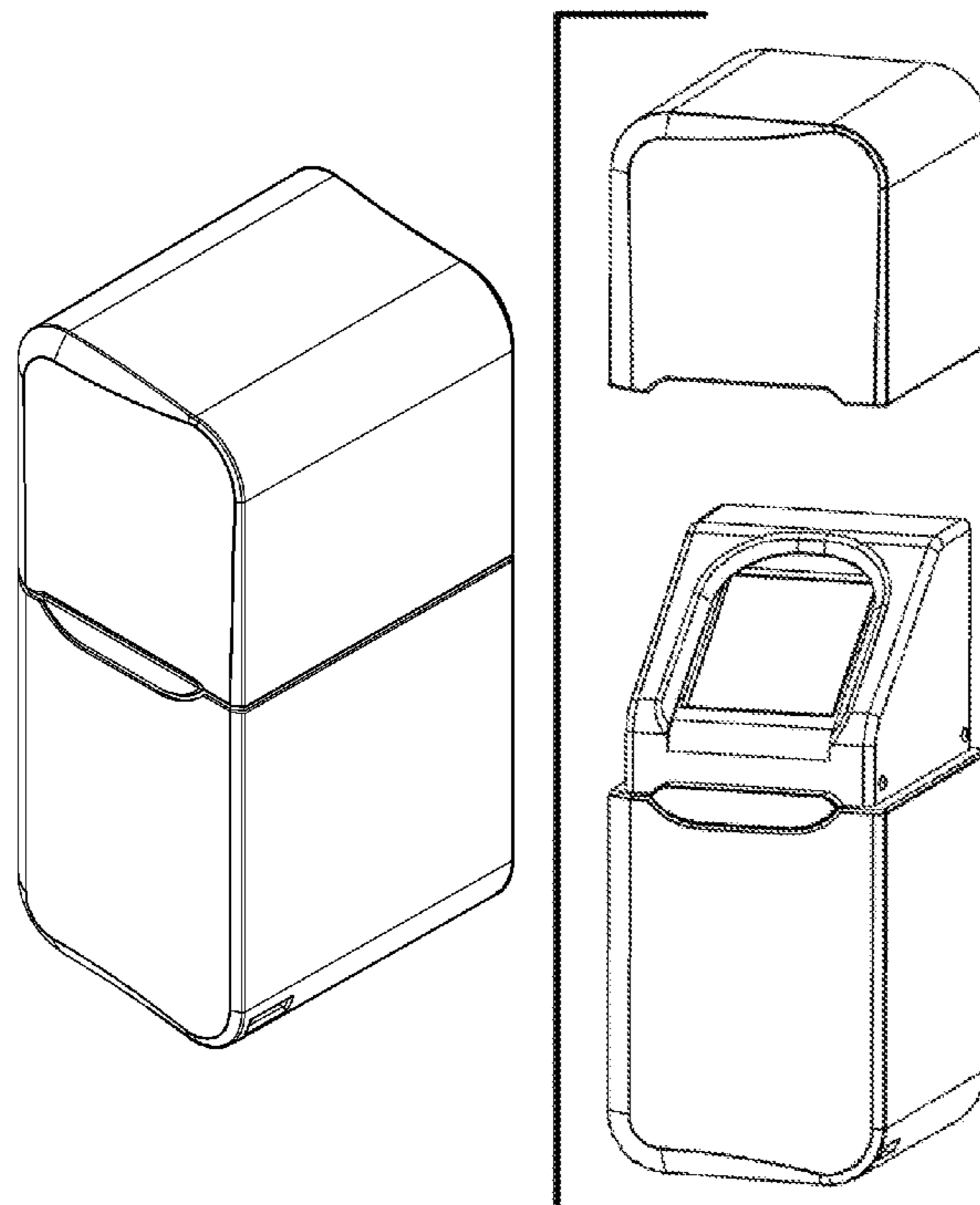


FIG. 1

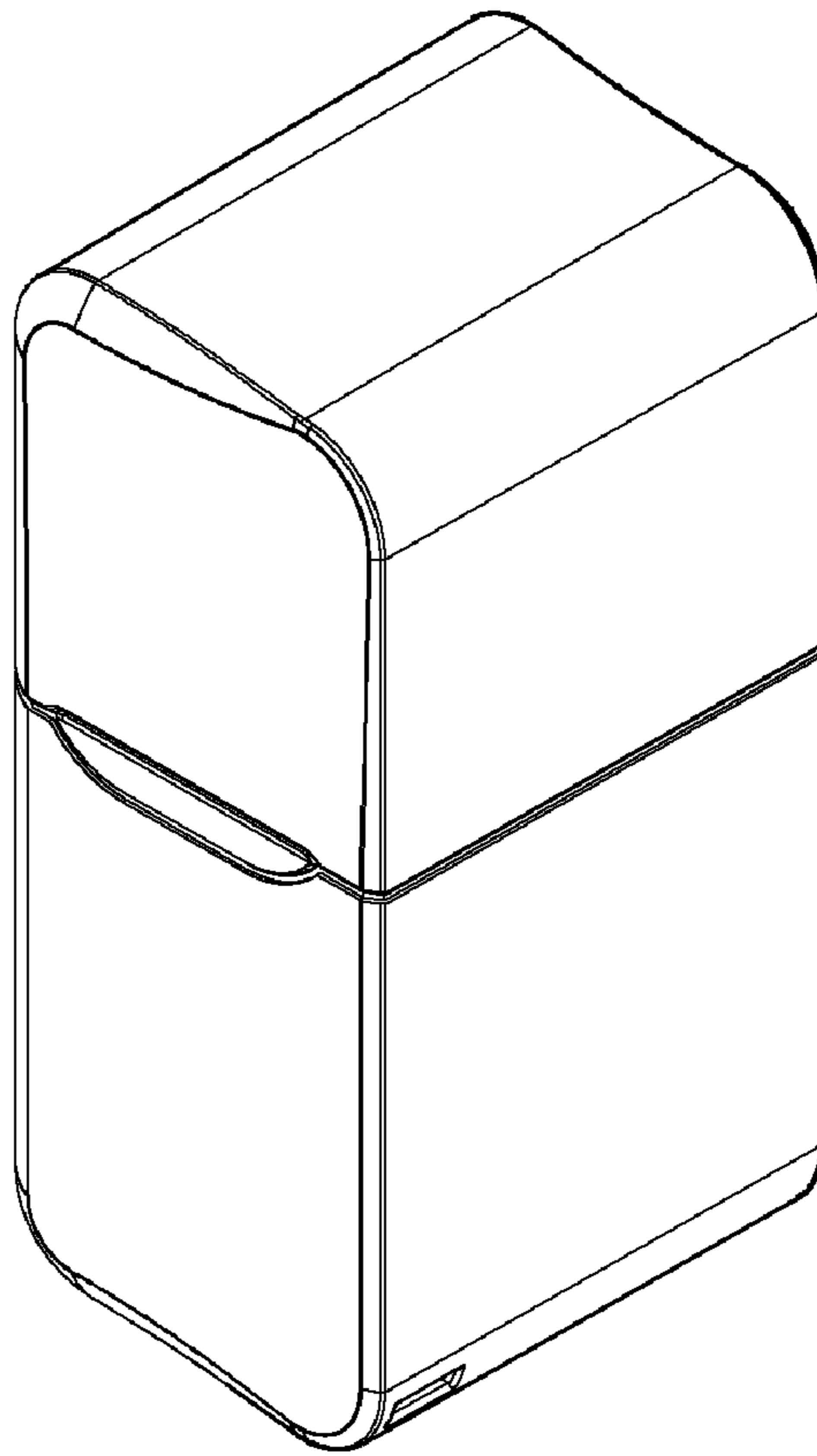


FIG. 2

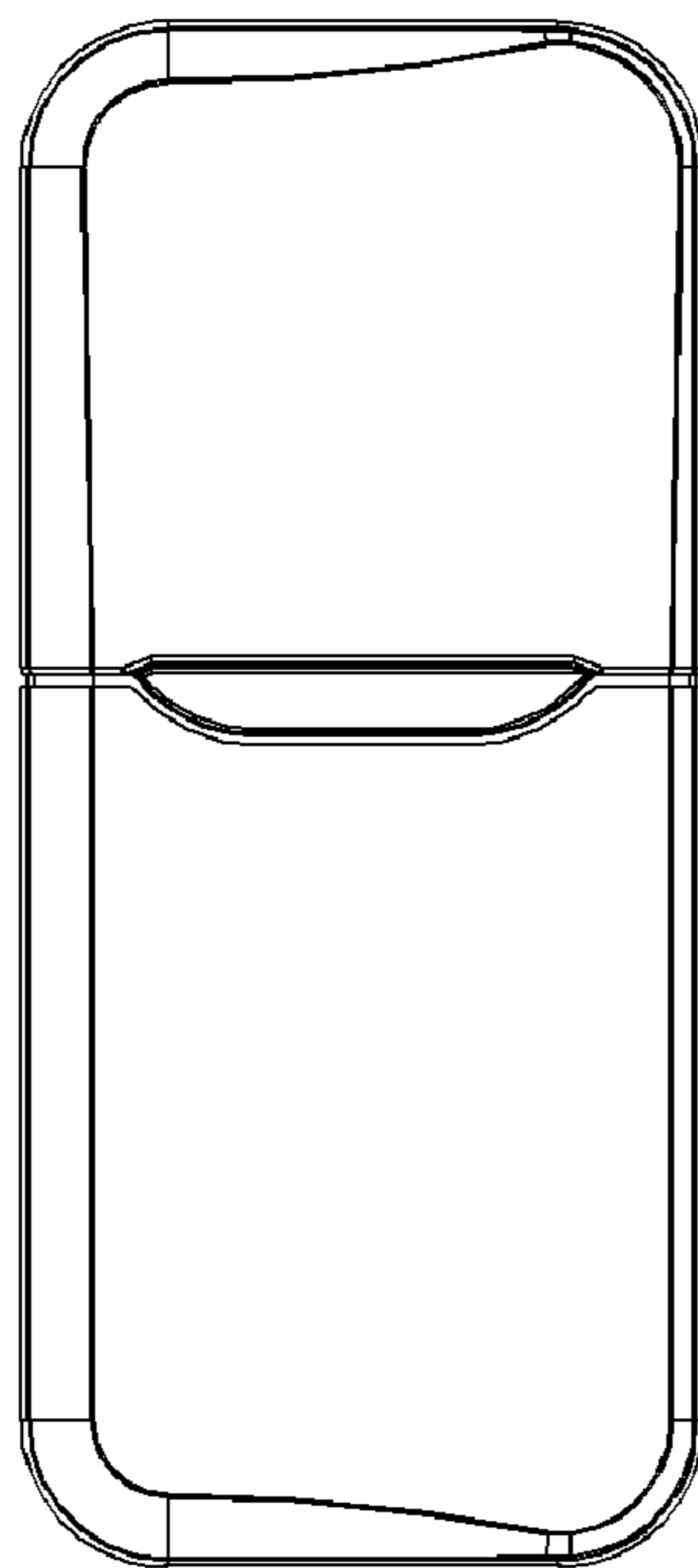


FIG. 3

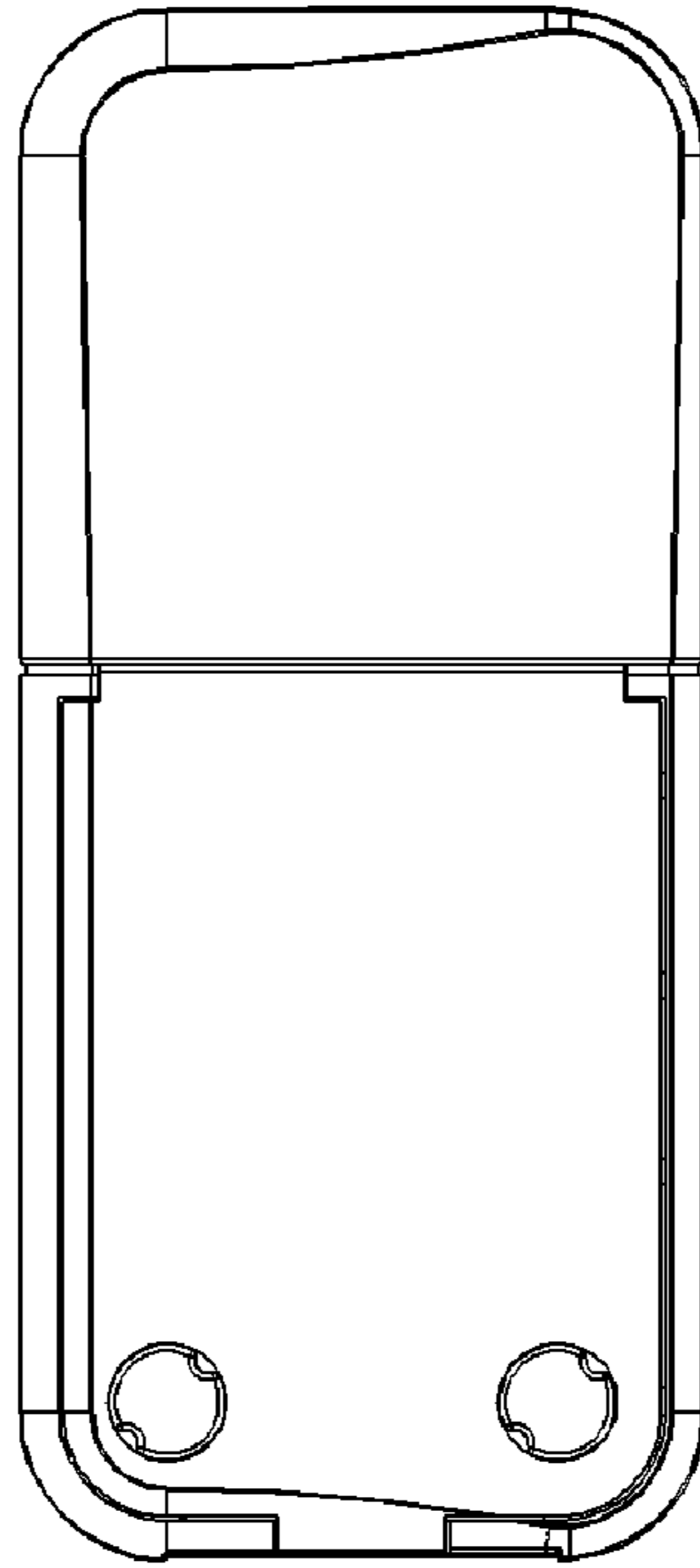


FIG. 4

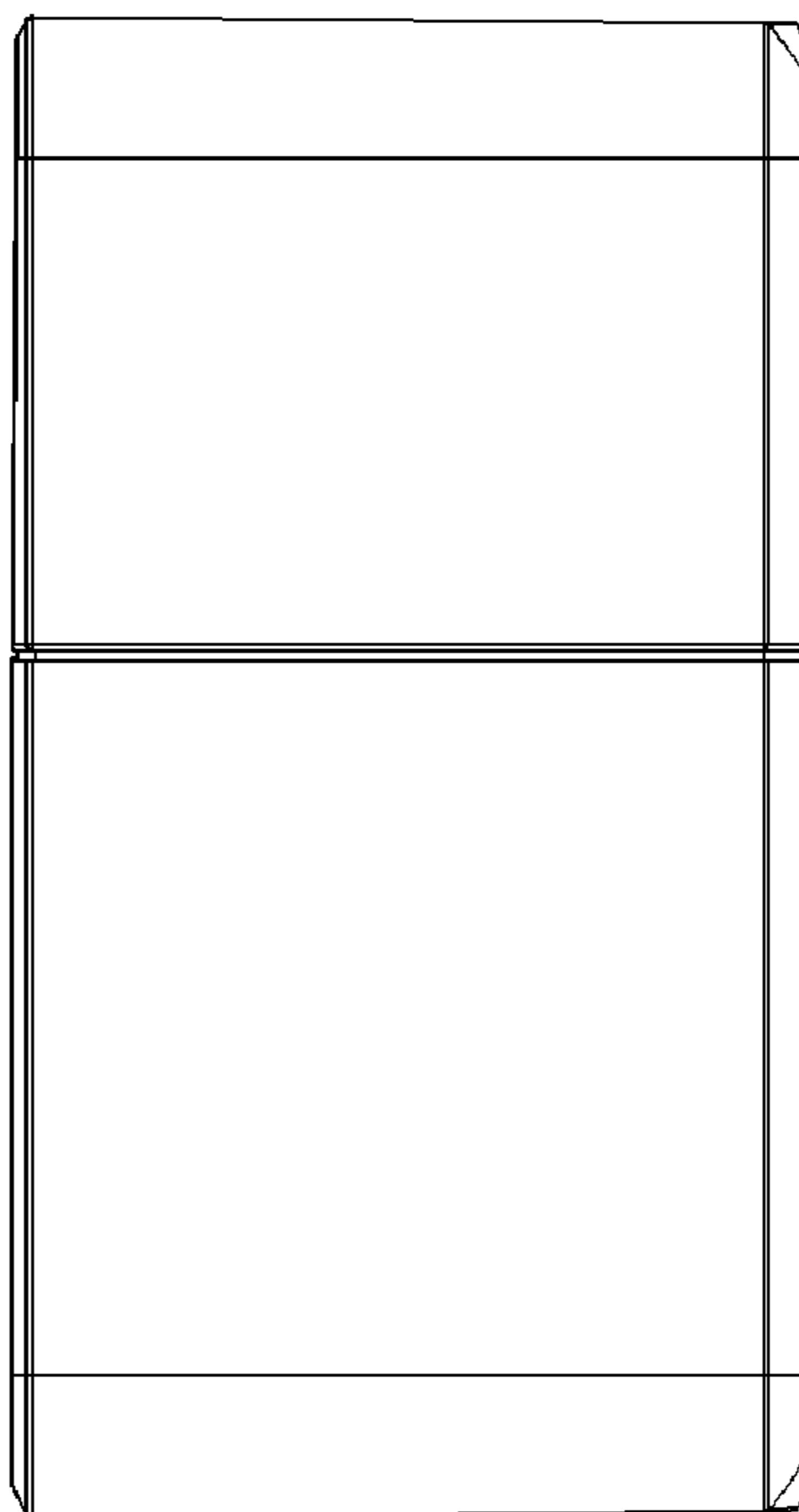


FIG. 5

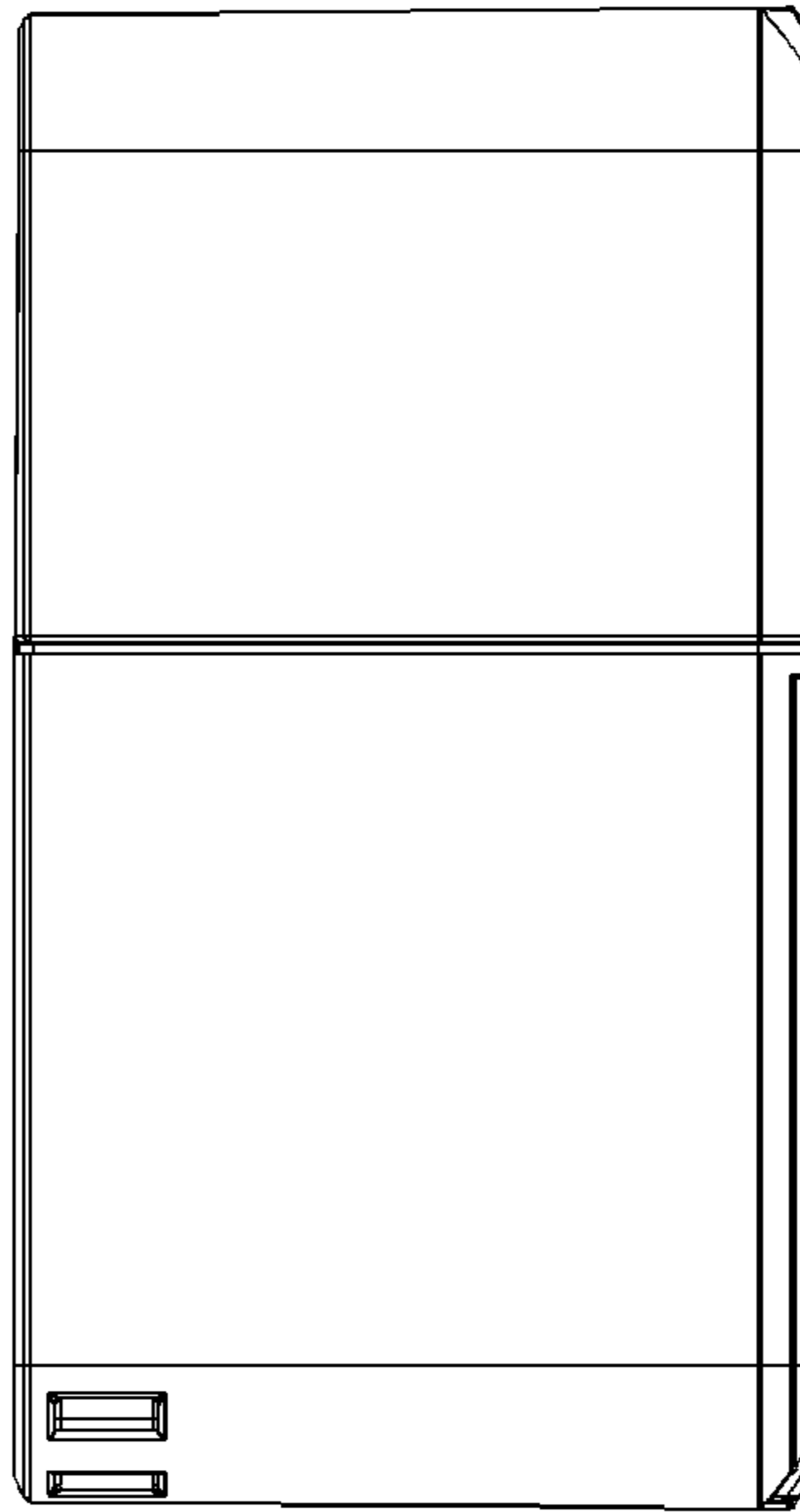


FIG. 6

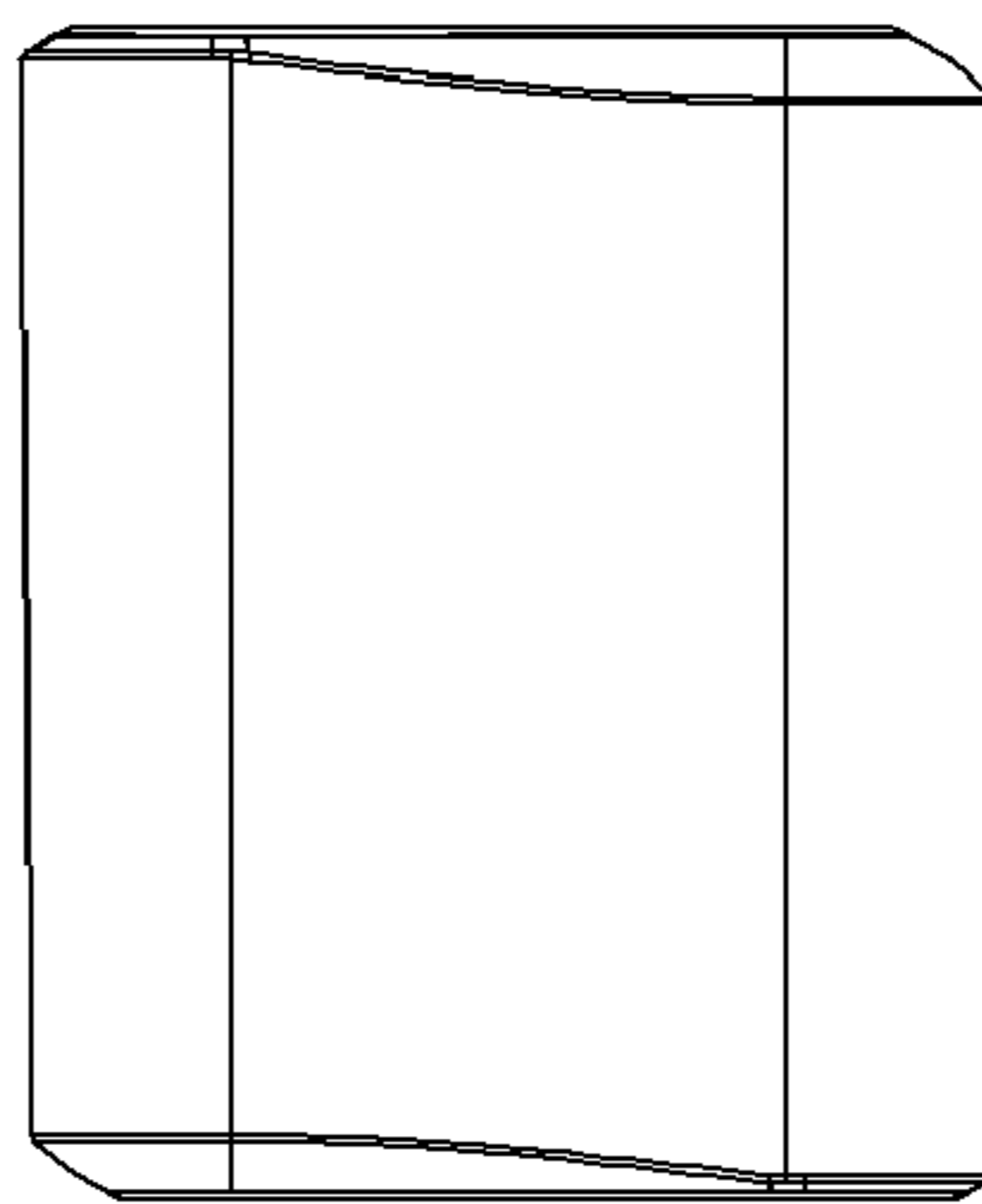


FIG. 7

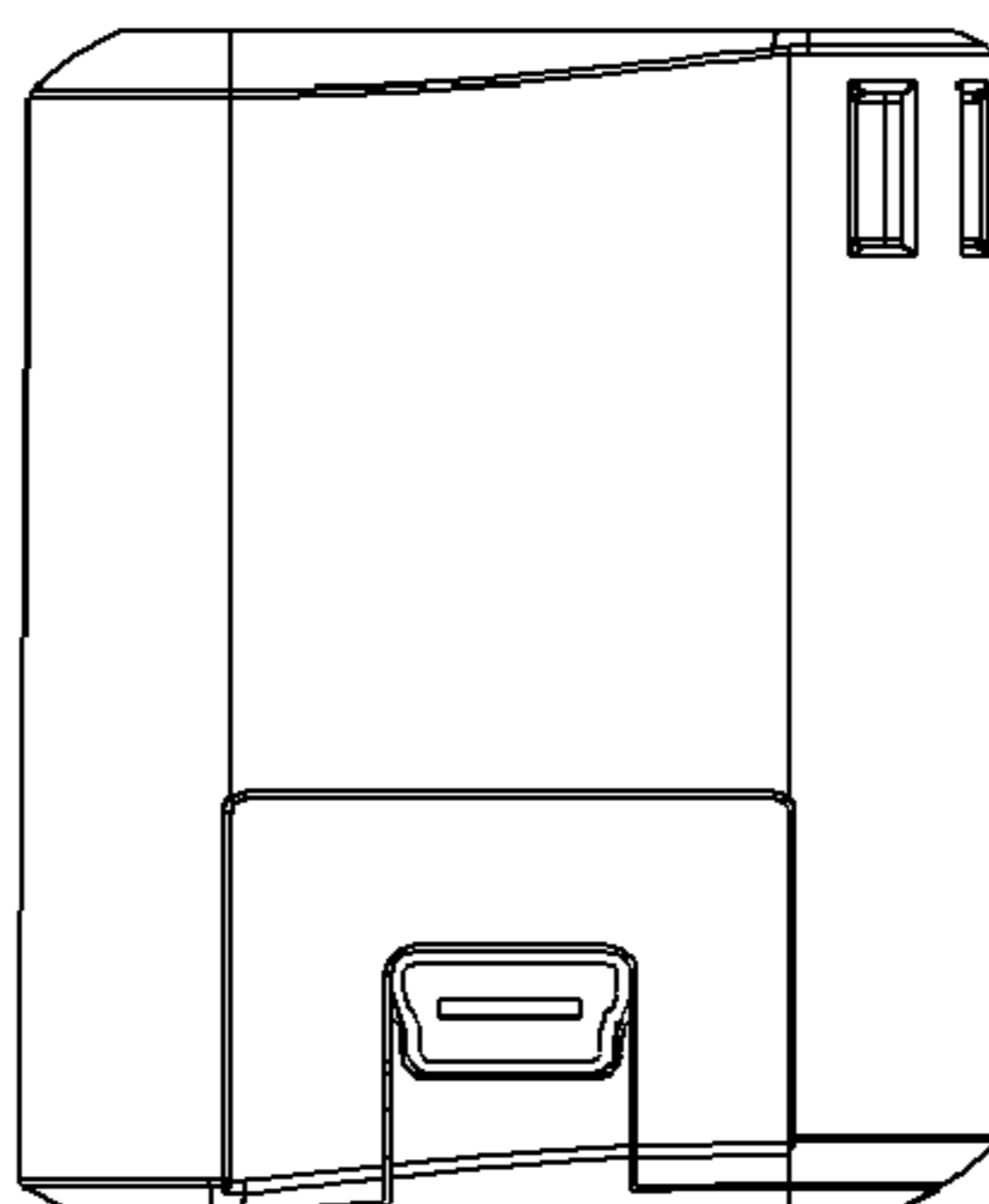


FIG. 8

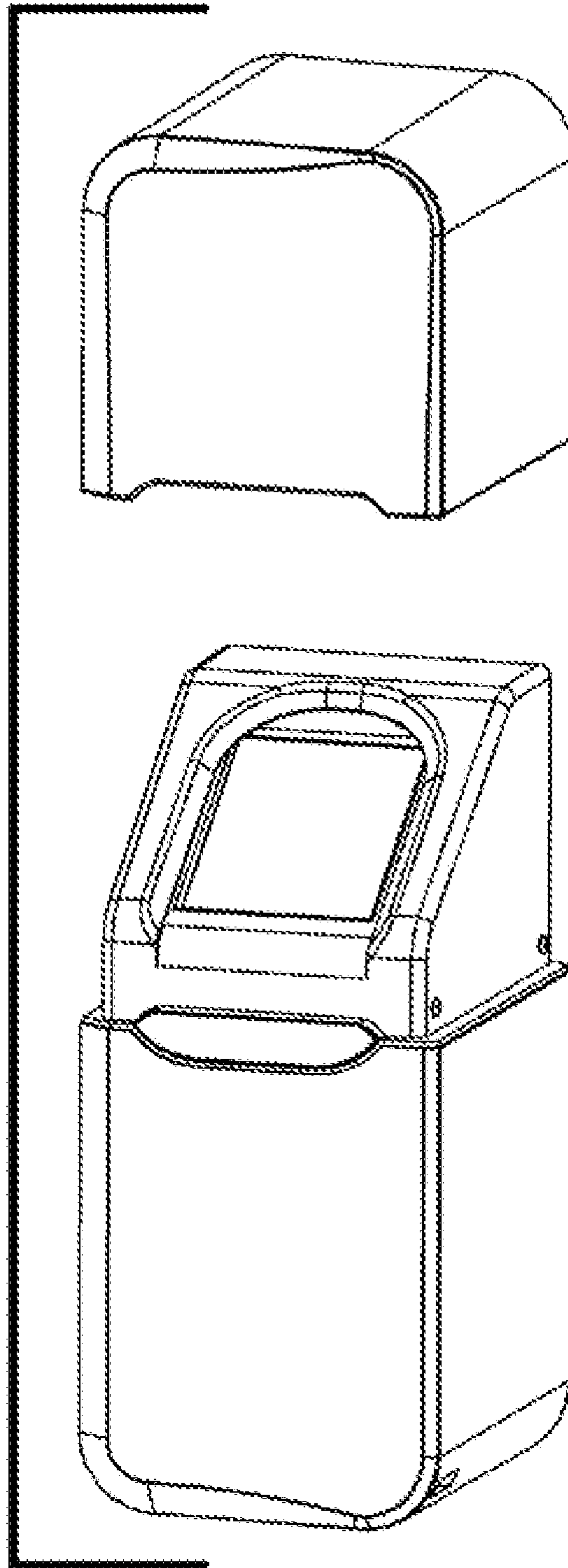


FIG. 9

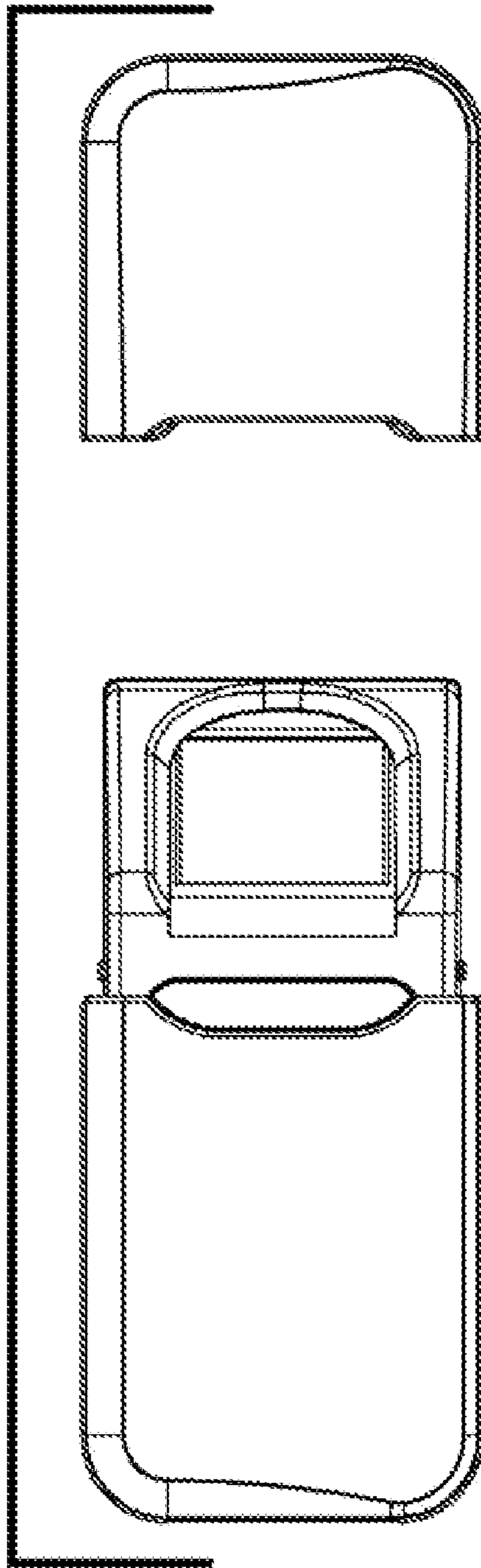


FIG. 10

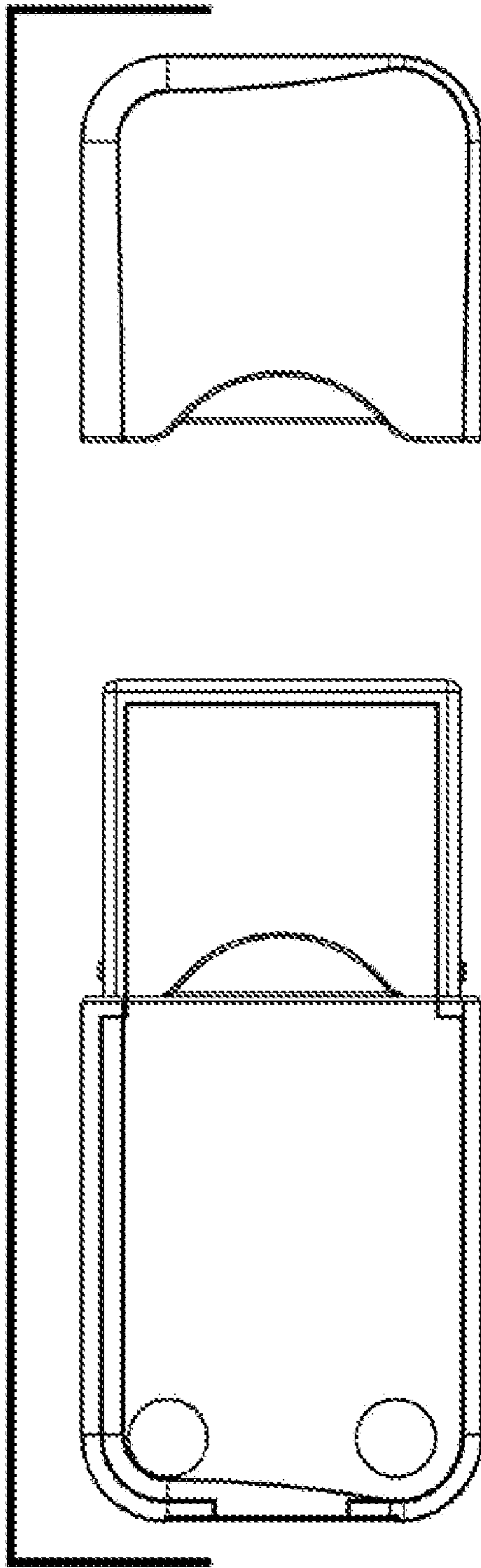


FIG. 11

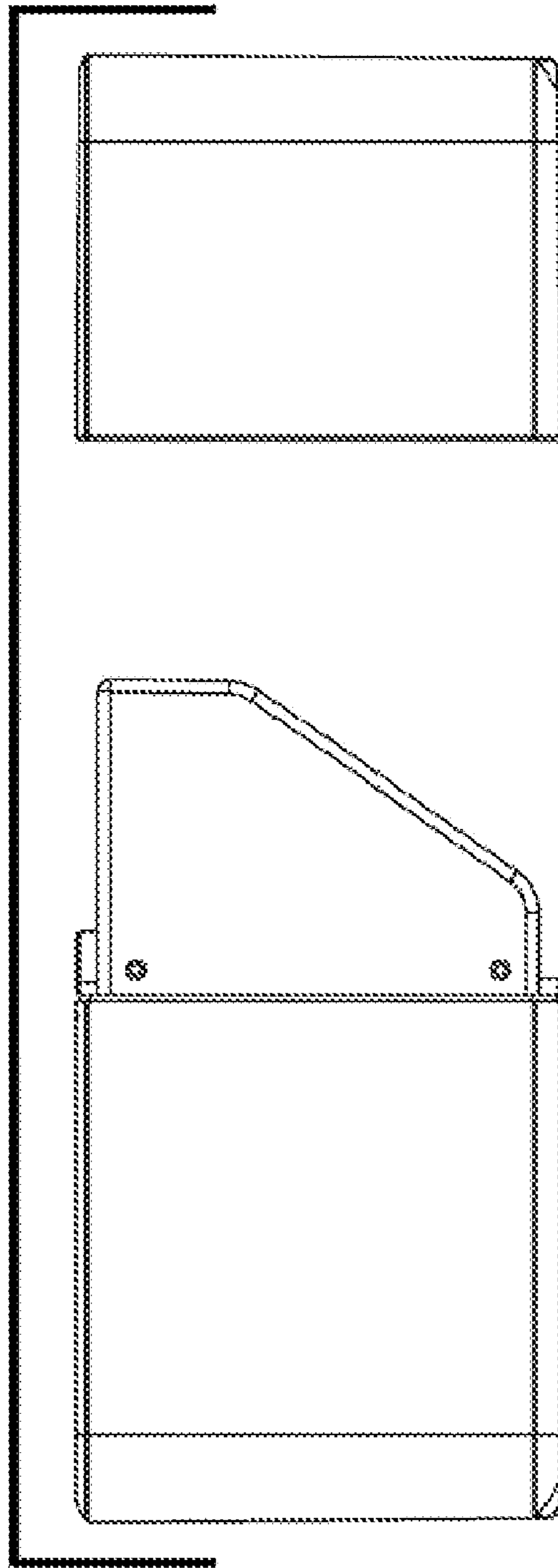


FIG. 12

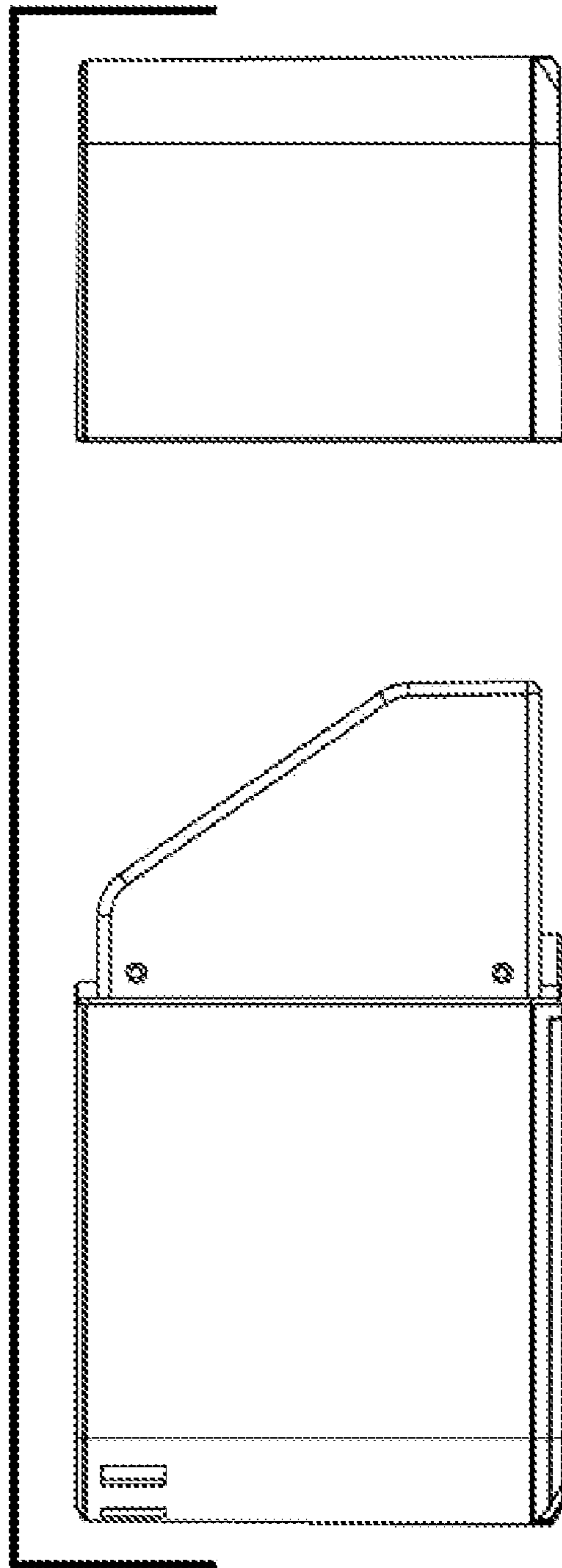


FIG. 13

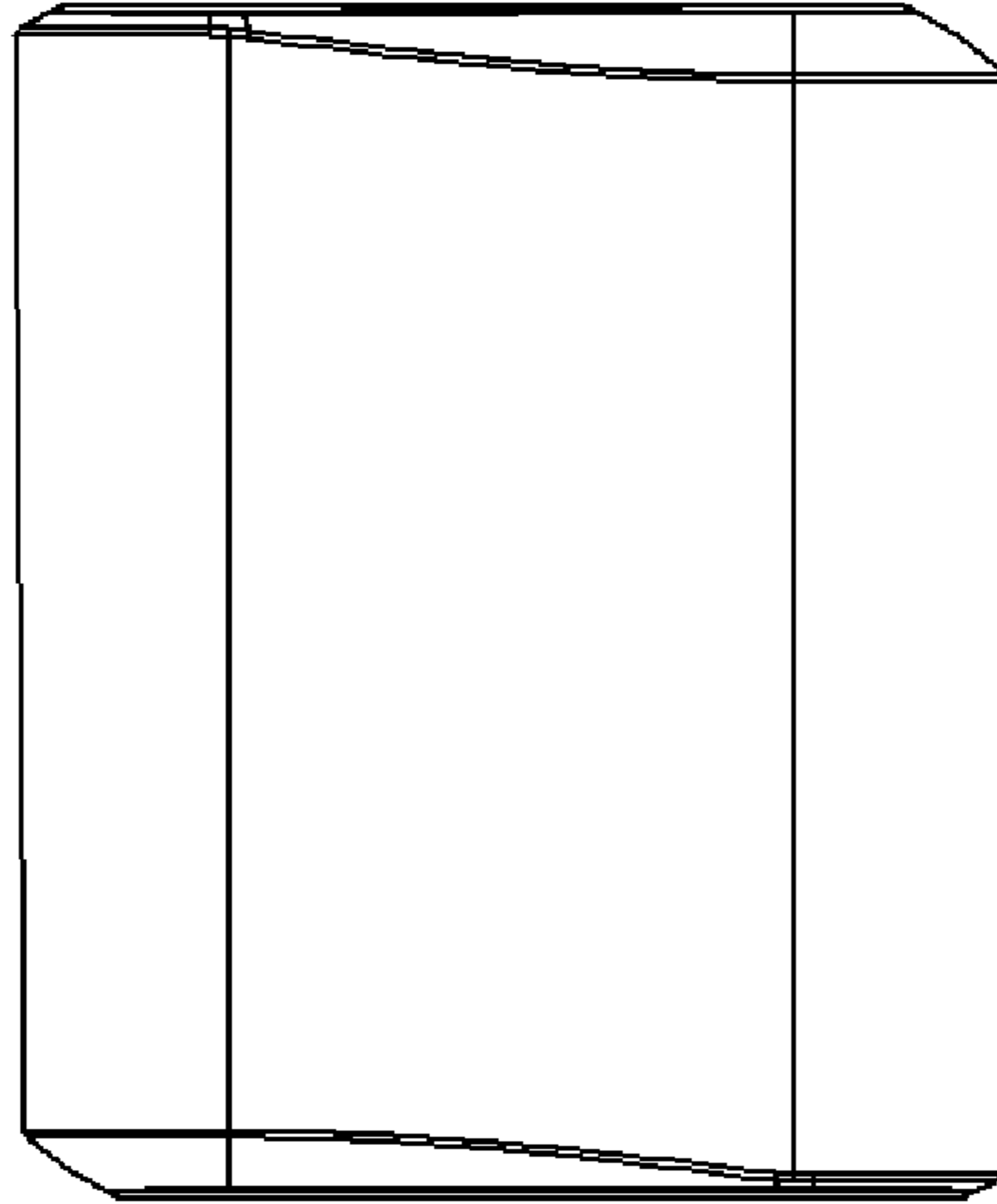


FIG. 14

