



US00D645770S

(12) **United States Design Patent**
Margalit et al.

(10) **Patent No.:** **US D645,770 S**
(45) **Date of Patent:** **** Sep. 27, 2011**

(54) **METER CASING**

(75) Inventors: **Shaul Margalit**, Tel Aviv (IL); **Nitzan Cohen**, Kiryat Tivon (IL); **Yoel Ben Moshe**, Ein Haemek (IL); **Jerry Potter**, Mansfield, TX (US)

(73) Assignee: **Arad Ltd.**, Dalia (IL)

(**) Term: **14 Years**

(21) Appl. No.: **29/363,436**

(22) Filed: **Jun. 9, 2010**

(51) **LOC (9) Cl.** **10-04**

(52) **U.S. Cl.** **D10/99**

(58) **Field of Classification Search** D10/99;
73/195-203, 264, 272 R-274, 276, 861.33,
73/861.77, 861.75, 861.79; 137/343; 241/205,
241/208

See application file for complete search history.

(56) **References Cited**

U.S. PATENT DOCUMENTS

2,738,672	A	3/1956	Smith et al.
3,067,612	A	12/1962	Smith
3,068,696	A	12/1962	Smith et al.
3,363,465	A	1/1968	Last
3,659,457	A	5/1972	Ostrowski
3,731,534	A	5/1973	Painley et al.
4,020,689	A	5/1977	Onoda et al.
4,391,139	A	7/1983	Sutherland et al.
4,478,440	A	10/1984	Koch et al.
4,614,122	A	9/1986	Graves
4,746,775	A	5/1988	Pena et al.

5,339,686	A	8/1994	DeJarlais et al.
5,913,447	A	6/1999	Carpenter
6,426,027	B1	7/2002	Scarborough, III et al.
D468,222	S	1/2003	Koch et al.
D472,835	S *	4/2003	Hendey D10/99
6,789,419	B2	9/2004	Hennebelle
7,143,645	B2	12/2006	Benson et al.
D559,717	S *	1/2008	Hendey D10/96
7,412,882	B2 *	8/2008	Lazar et al. 73/273
D582,814	S *	12/2008	Ball et al. D10/96
D583,692	S *	12/2008	Ball et al. D10/96
7,854,165	B2 *	12/2010	Ball et al. 73/201

* cited by examiner

Primary Examiner — Antoine D Davis

(74) *Attorney, Agent, or Firm* — The Webb Law Firm

(57) **CLAIM**

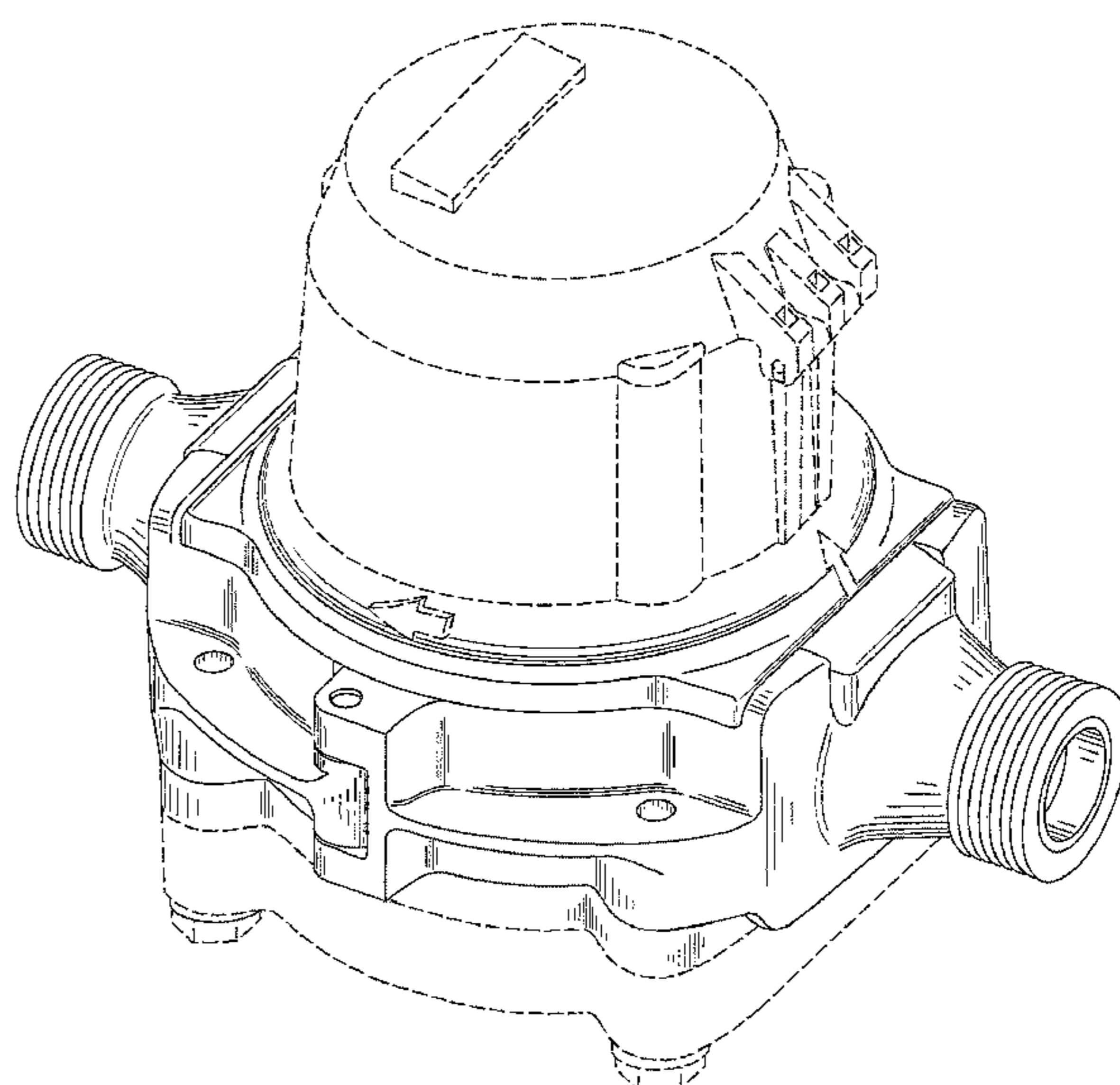
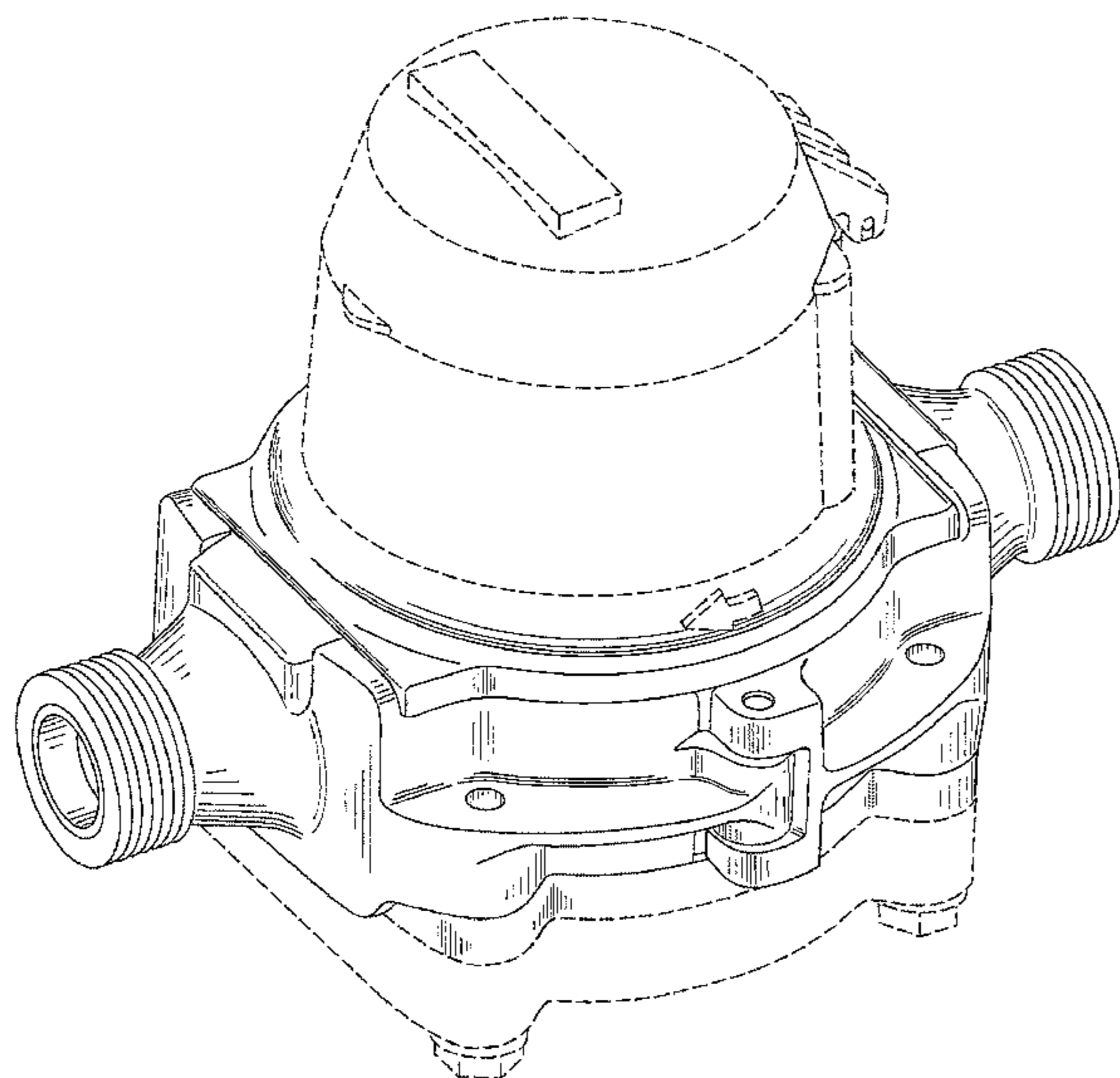
The ornamental design for a meter casing, as shown and described.

DESCRIPTION

FIG. 1 is an upper right front perspective view of a meter casing showing our new design;
FIG. 2 is an upper right rear perspective view thereof;
FIG. 3 is a lower left front perspective view thereof;
FIG. 4 is a rear side view thereof;
FIG. 5 is a front side view thereof;
FIG. 6 is a left side view thereof;
FIG. 7 is a right side view thereof;
FIG. 8 is a top plan view thereof; and,
FIG. 9 is a bottom view thereof.

The broken line showings of FIGS. 1-9 are environmental only and not part of the claimed design.

1 Claim, 8 Drawing Sheets



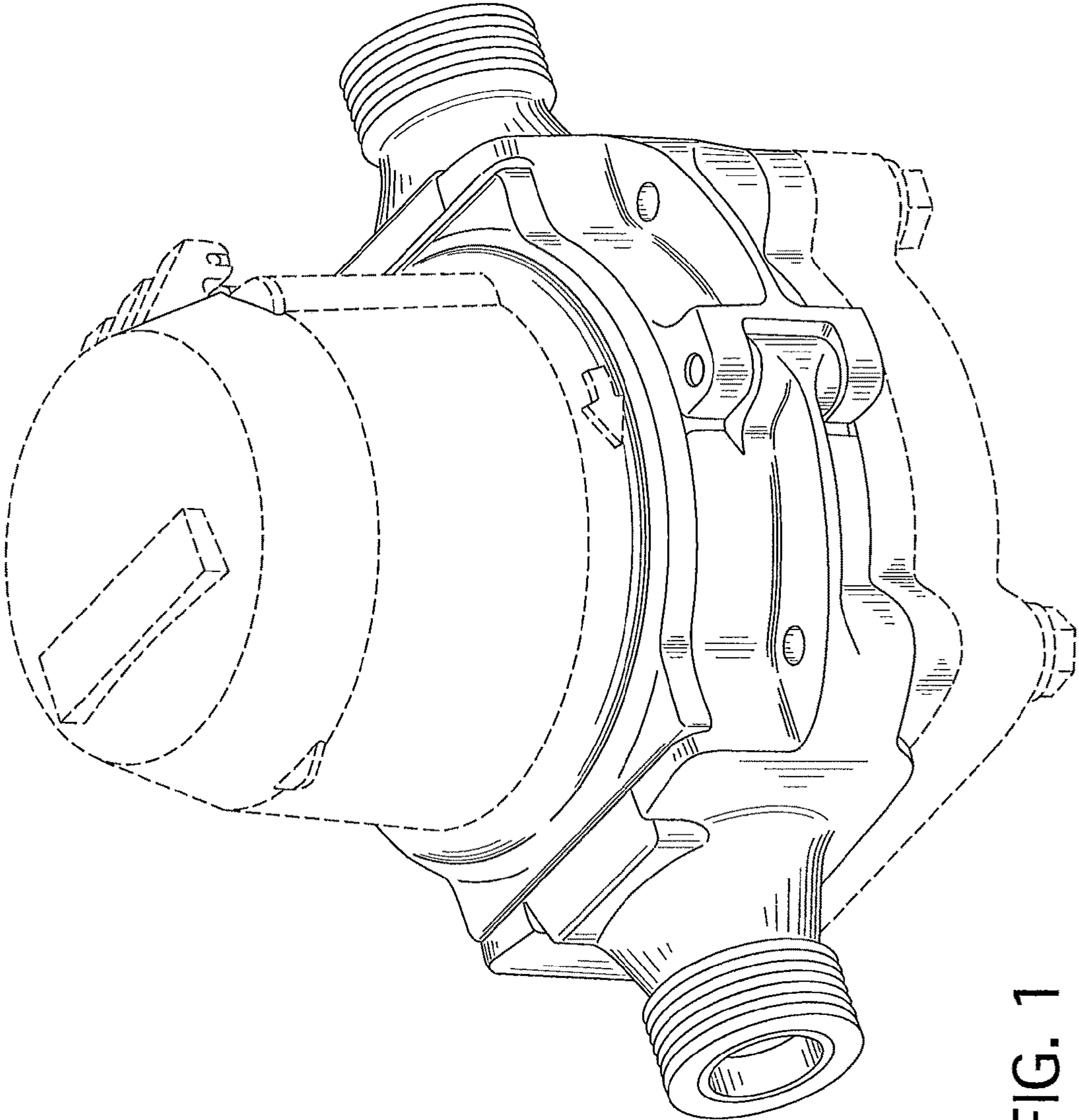


FIG. 1

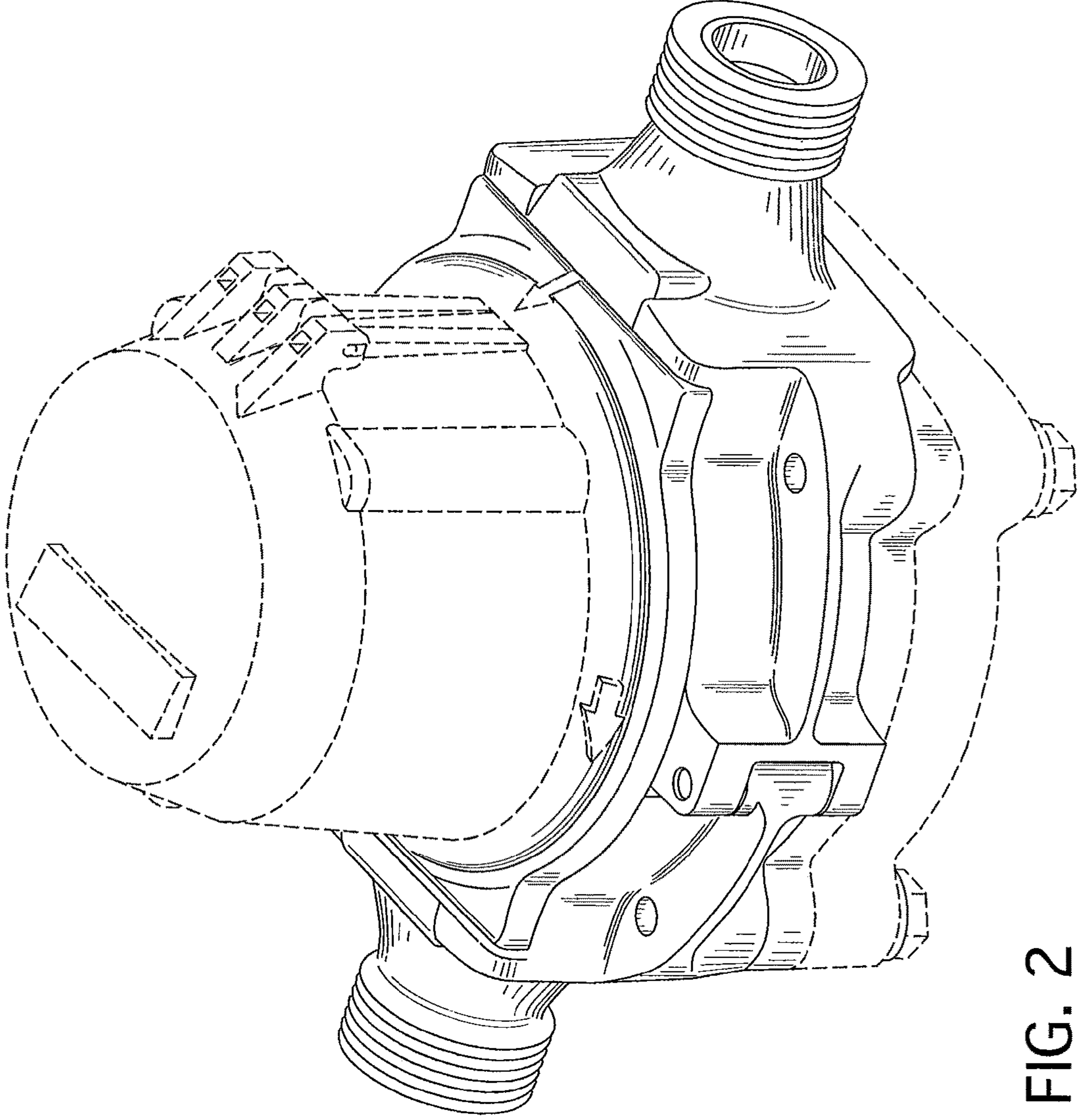


FIG. 2

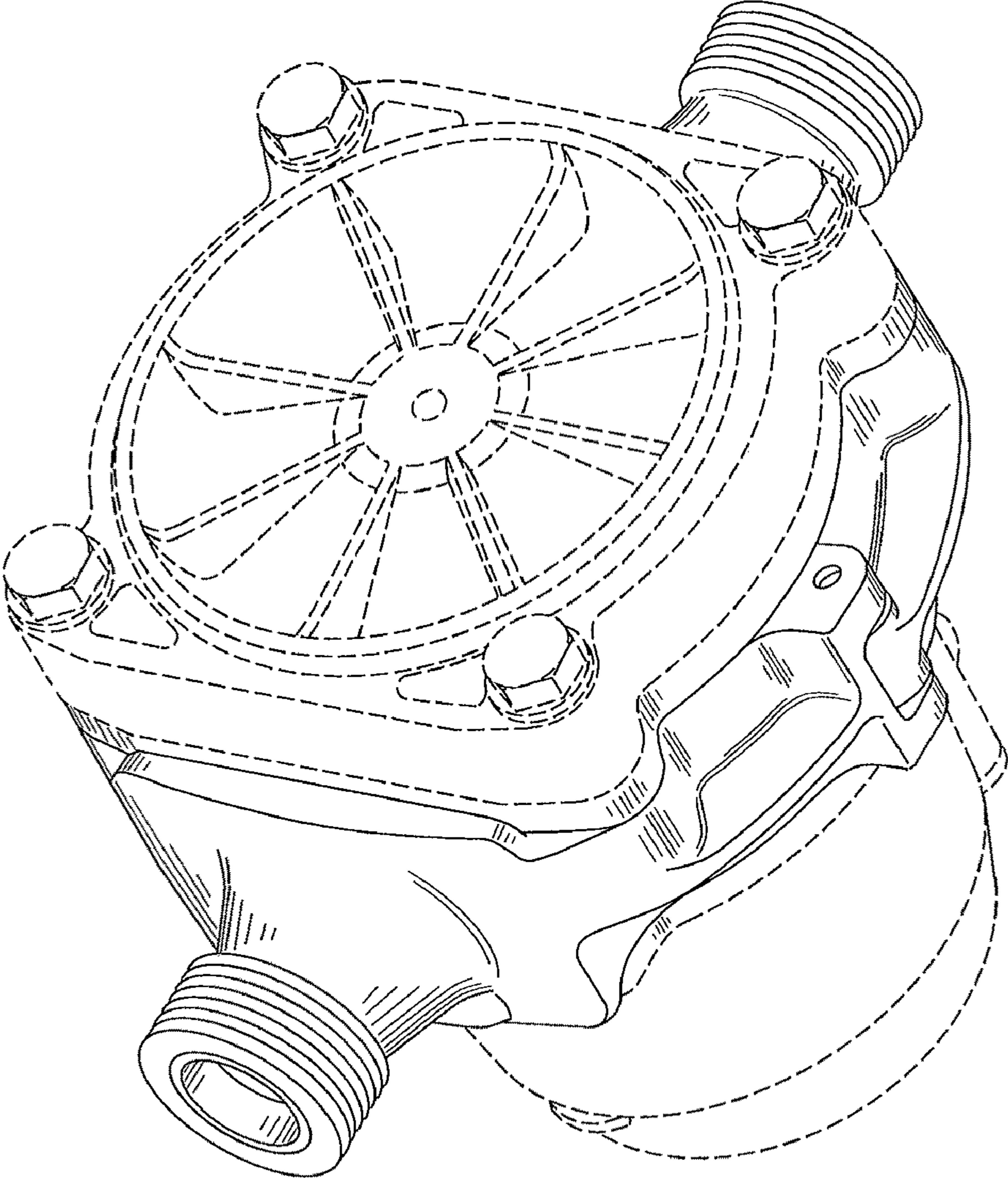


FIG. 3

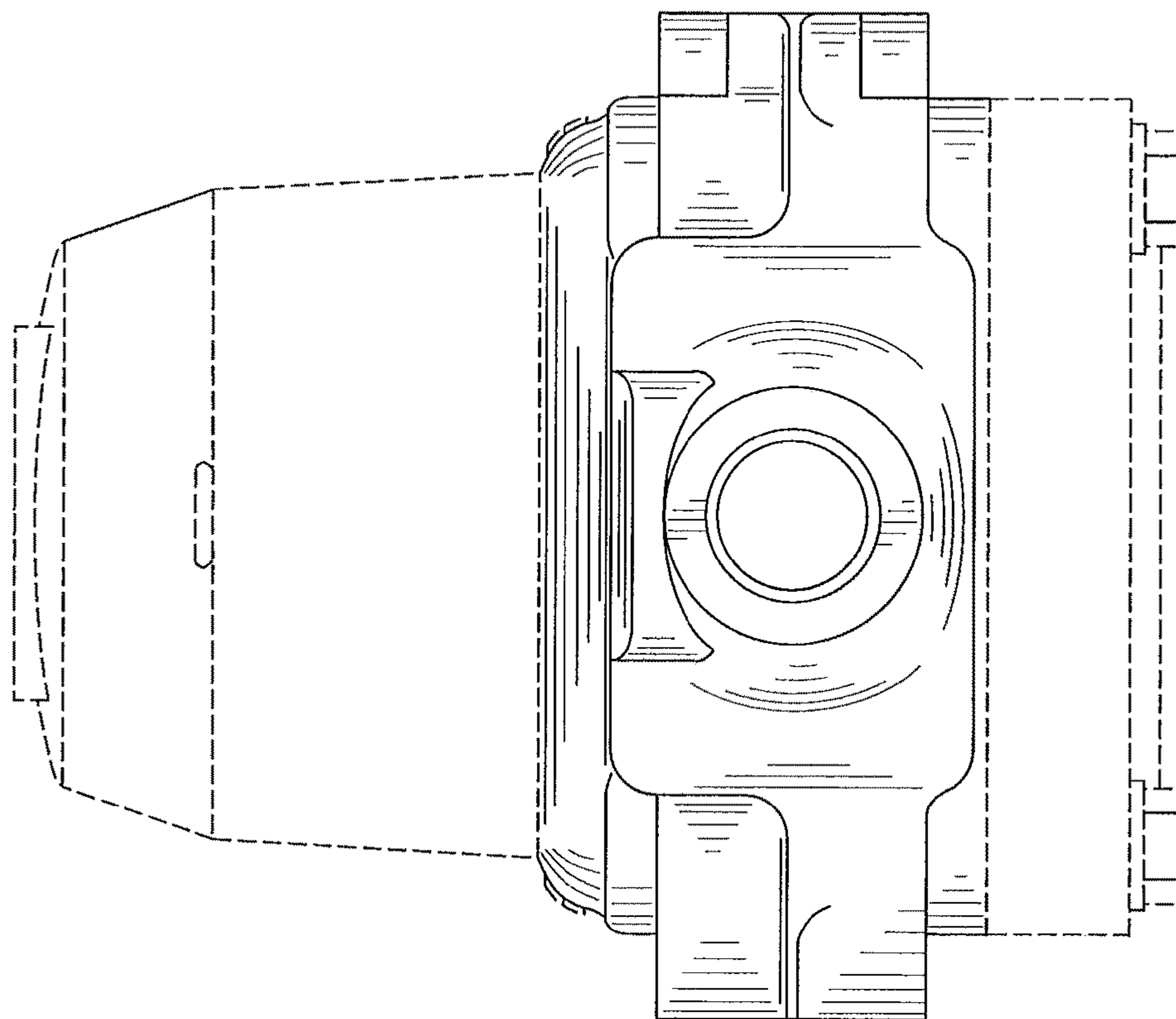


FIG. 5

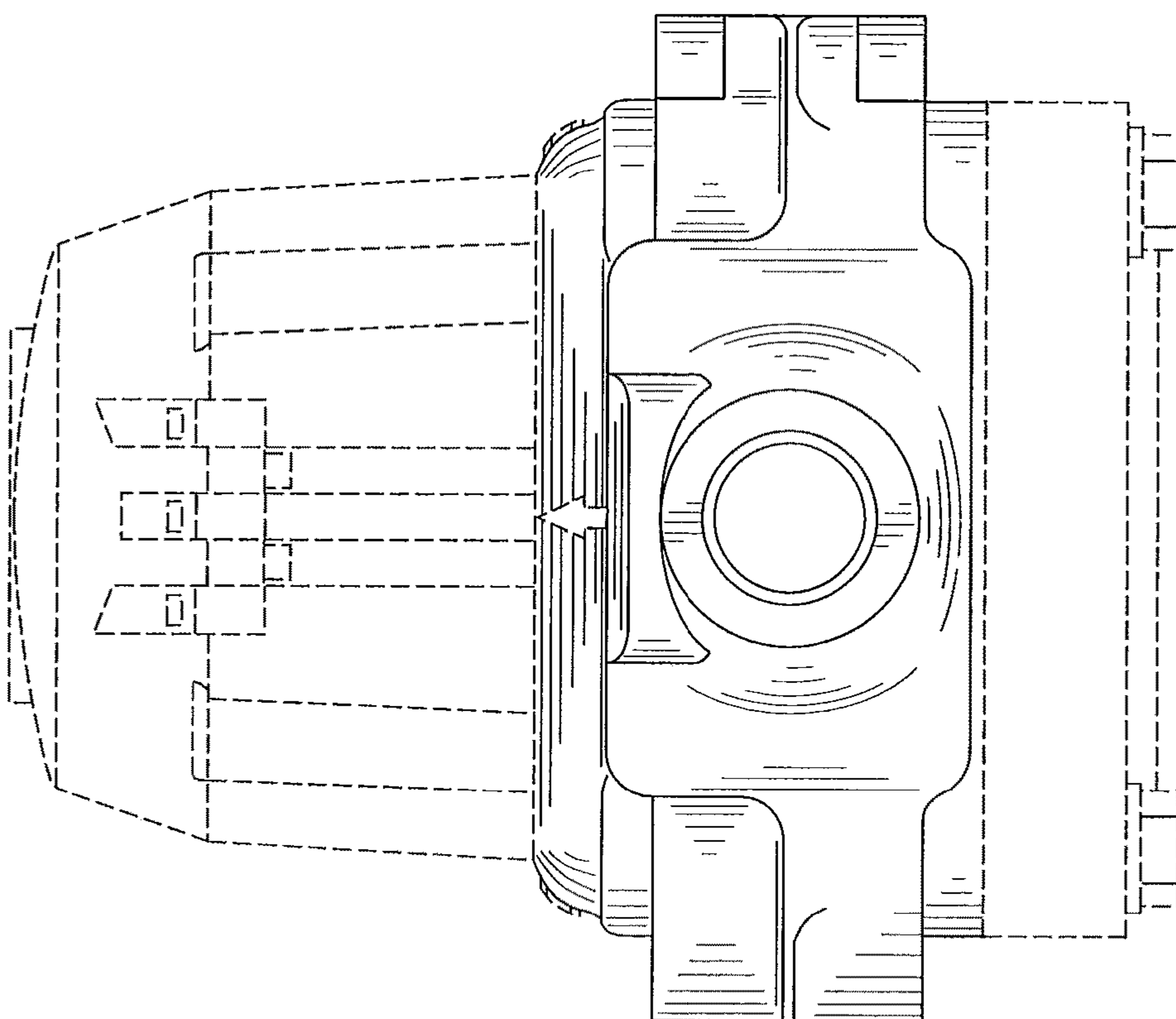


FIG. 4

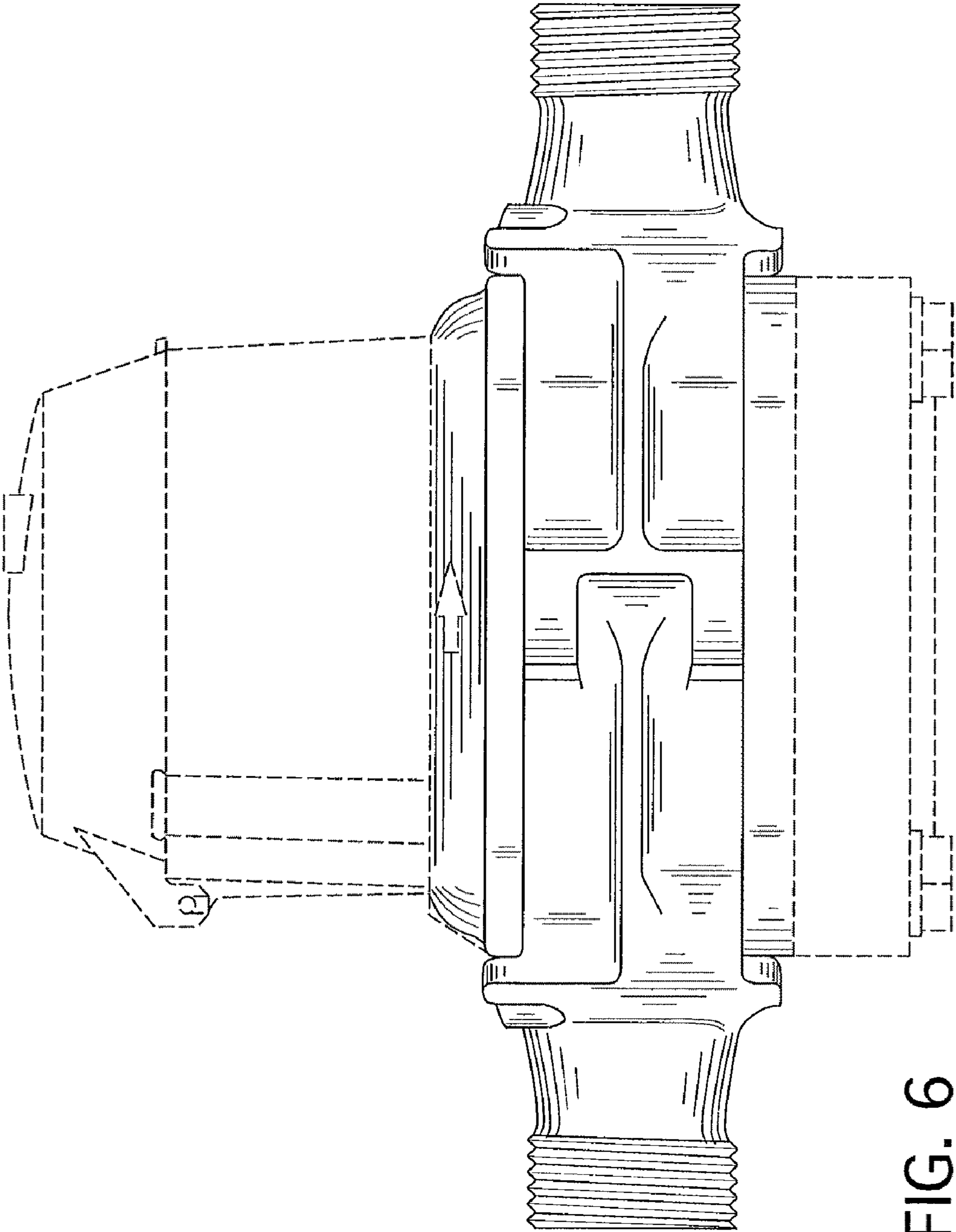


FIG. 6

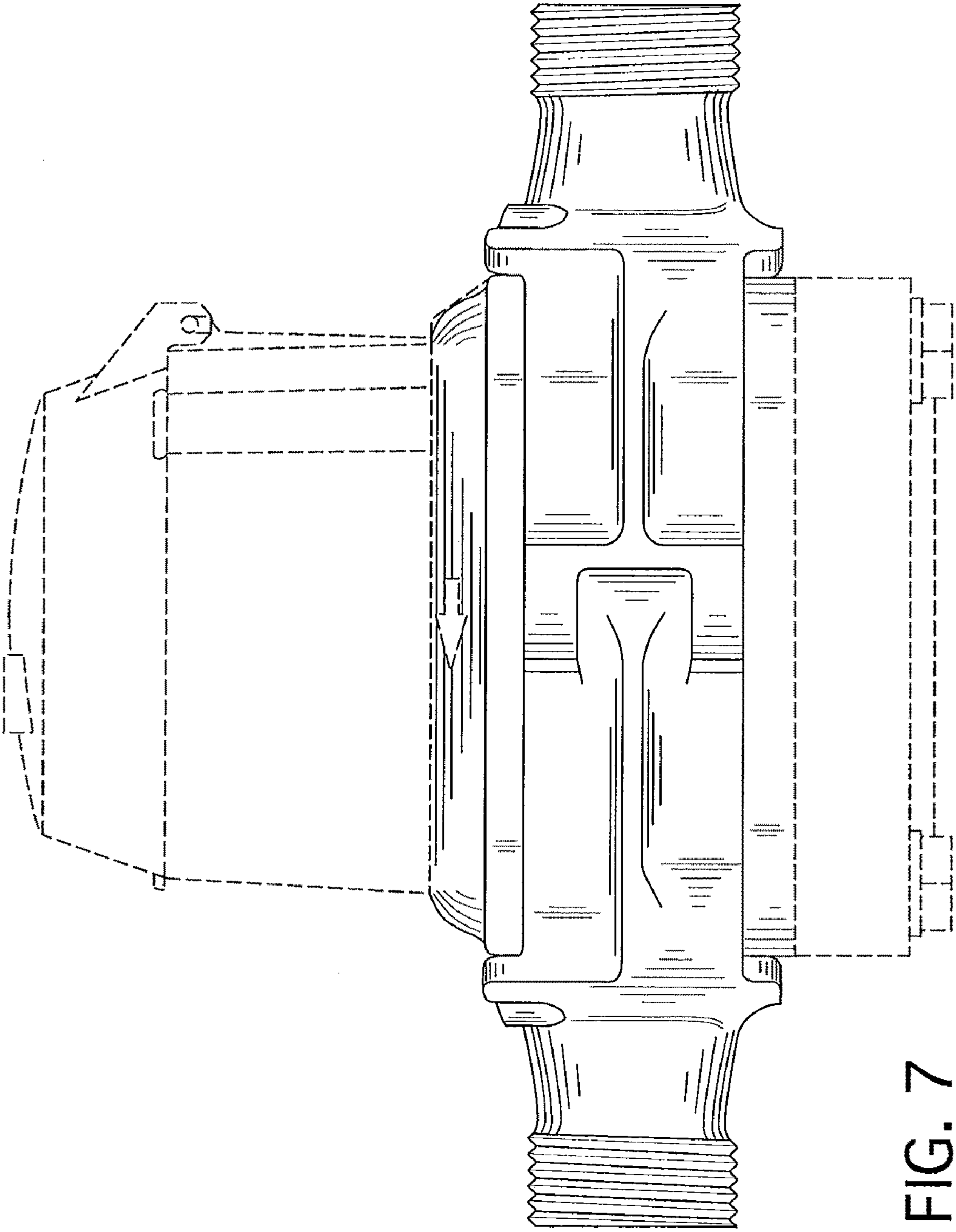


FIG. 7

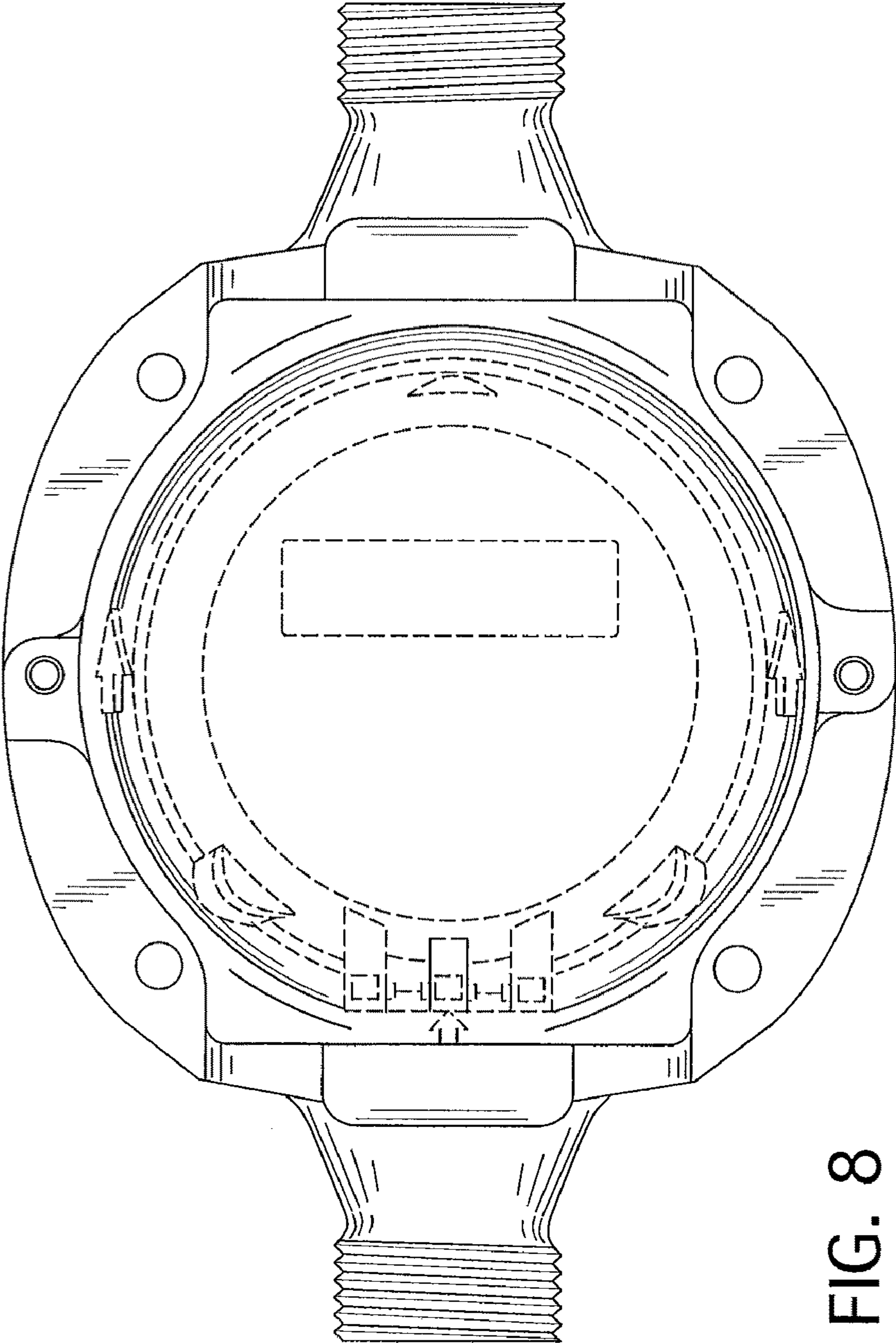


FIG. 8

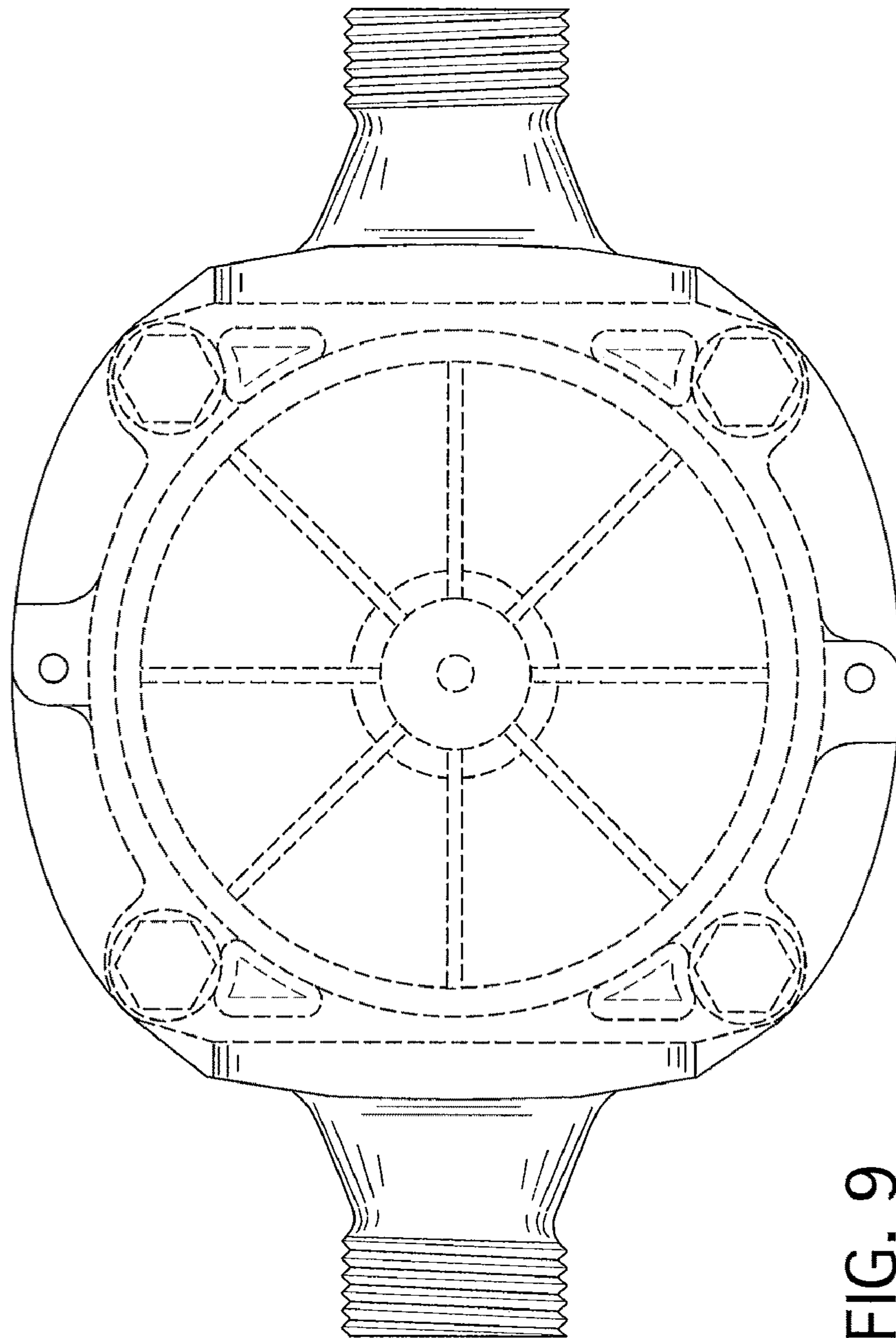


FIG. 9