



US00D645769S

(12) **United States Design Patent**  
**Wan**

(10) **Patent No.:** **US D645,769 S**  
(45) **Date of Patent:** **\*\* Sep. 27, 2011**

(54) **LIQUID SAMPLING AND DETECTING DEVICE**

(75) Inventor: **John Wan**, San Marino, CA (US)

(73) Assignee: **W.H.P.M. Bioresearch & Technology Co., Ltd.**, Beijing (CN)

(\*\*) Term: **14 Years**

(21) Appl. No.: **29/379,010**

(22) Filed: **Nov. 12, 2010**

(51) **LOC (9) Cl.** ..... **10-04**

(52) **U.S. Cl.** ..... **D10/94**

(58) **Field of Classification Search** ..... D10/78,  
D10/94; D24/216, 232, 234; 702/32, 19;  
600/300, 579; 455/569.2; 324/72.5, 110,  
324/114, 115, 149, 151 A, 158 F, 156, 556,  
324/133, 503, 543, 555, 66, 72, 754; 340/653,  
340/660, 635; 439/482; 422/63-83, 99,  
422/100, 58, 61, 82.05, 52, 404, 156, 561;  
423/43; 436/164, 166, 169, 605, 172, 180;  
356/246; 362/119; 435/14, 283.1, 287.1,  
435/4, 970, 30, 21, 7.5; 73/864.35, 863.52,  
73/864.63, 863.34, 864.65, 864, 864.51,  
73/864.62, 864.91

See application file for complete search history.

(56) **References Cited**

**U.S. PATENT DOCUMENTS**

D632,402 S \* 2/2011 Sattler et al. .... D24/224

**FOREIGN PATENT DOCUMENTS**

CN 201535772 U 7/2010

\* cited by examiner

*Primary Examiner* — Antoine D Davis

(74) *Attorney, Agent, or Firm* — Scully, Scott, Murphy & Presser, P.C.

(57) **CLAIM**

The ornamental design for a liquid sampling and detecting device, as shown.

**DESCRIPTION**

FIG. 1 is a perspective view of a liquid sampling and detecting device showing my new and ornamental design;

FIG. 2 is a front view thereof, the rear view being a mirror image thereof;

FIG. 3 is a top view thereof;

FIG. 4 is a bottom view thereof;

FIG. 5 is a side view thereof, an opposite side view being a mirror image thereof;

FIG. 6 is another perspective view, showing an alternative position of the liquid sampling and detecting device where a lid of the device is open;

FIG. 7 is a front view thereof, the rear view being a mirror image thereof;

FIG. 8 is a top view thereof;

FIG. 9 is a bottom view thereof;

FIG. 10 is a side view thereof, an opposite side view being a mirror-image thereof;

FIG. 11 is a perspective view of a transparent bottle of the device;

FIG. 12 is a front view of the bottle, the rear view being a mirror image thereof;

FIG. 13 is a top view thereof, the bottom view being a mirror image thereof;

FIG. 14 is a side view thereof, the opposite side view being a mirror-image thereof;

FIG. 15 is another perspective view, showing an alternative position of the bottle where the lid of the bottle is open;

FIG. 16 is a front view of the bottle, the rear view being a mirror image thereof;

FIG. 17 is a top view thereof, the bottom view being a mirror image thereof;

FIG. 18 is a side view thereof, the opposite side view being a mirror image thereof;

FIG. 19 is a perspective view of the transparent lid;

FIG. 20 is a rear view of the lid, the front view being a mirror image thereof;

FIG. 21 is a side view of the lid, the opposite side view being a mirror image thereof;

FIG. 22 is a perspective view of an insert of the device;

FIG. 23 is a front view thereof;

FIG. 24 is a rear view thereof;

FIG. 25 is a top view thereof;

FIG. 26 is a bottom view thereof;

FIG. 27 is a side view thereof, the opposite side view being a mirror image thereof;

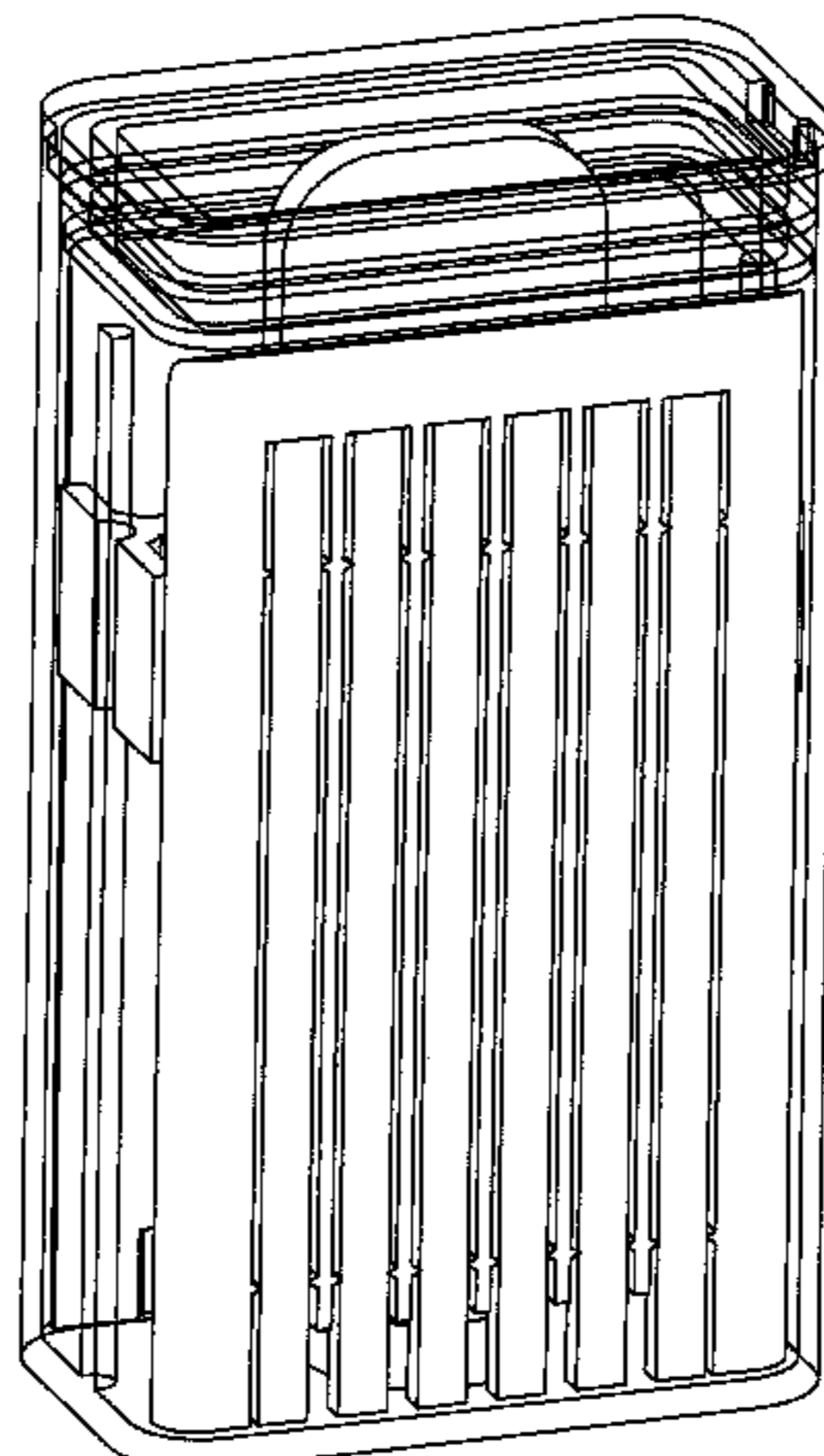
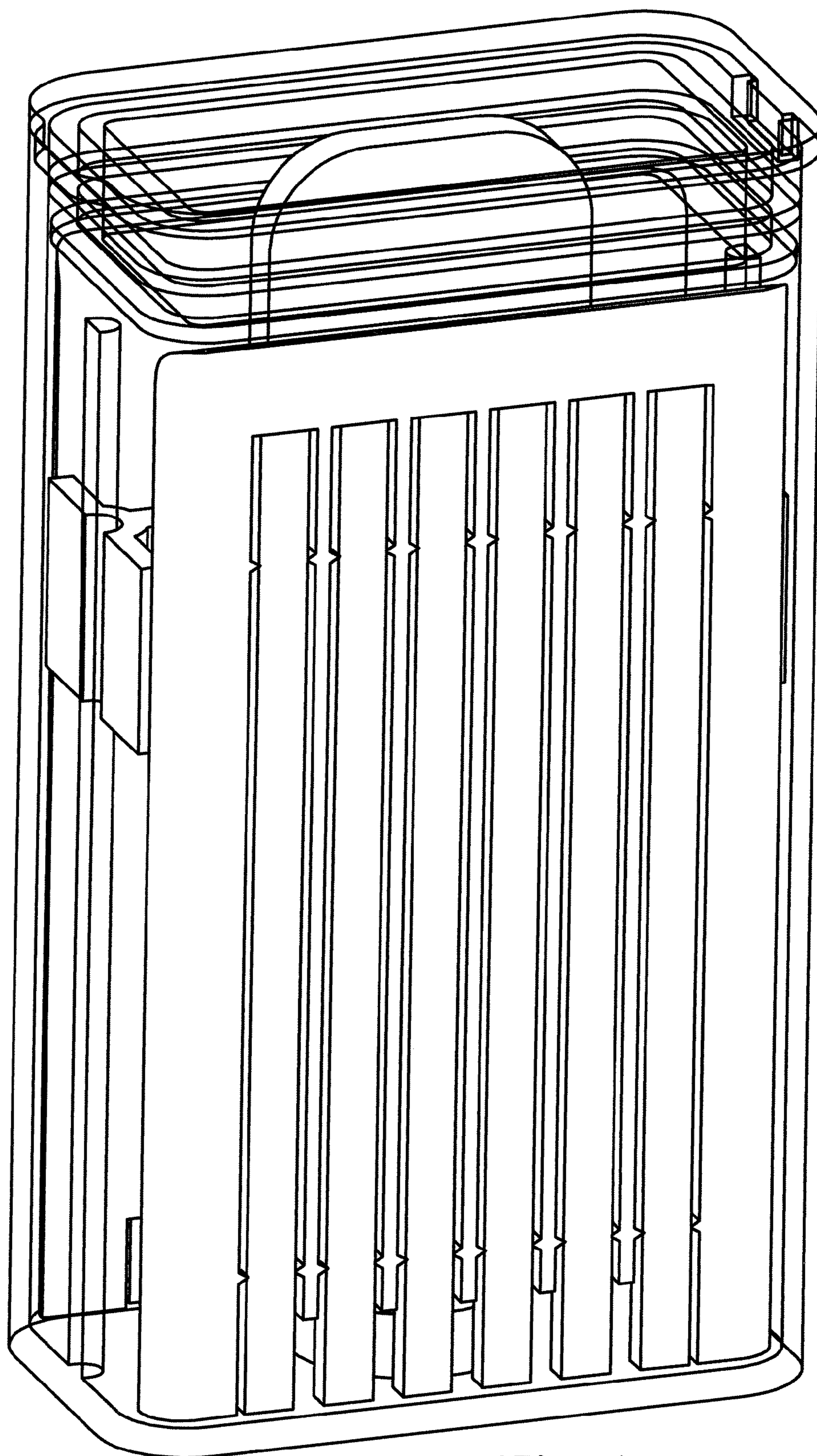


FIG. 28 is a section view along Lines 28-28 in FIG. 22;  
FIG. 29 is another perspective view of the insert with testing strips mounted therein;  
FIG. 30 is a rear view thereof;  
FIG. 31 is a top view thereof;  
FIG. 32 is a bottom view thereof;  
FIG. 33 is a side view thereof, the opposite side view being a mirror image thereof;

FIG. 34 is a perspective view of a handle of the device;  
FIG. 35 is a front view thereof, the rear view being a mirror image thereof;  
FIG. 36 is a top view of thereof;  
FIG. 37 is a bottom view thereof; and,  
FIG. 38 is a side view thereof, the opposite side view being a mirror image thereof.

**1 Claim, 38 Drawing Sheets**



**Fig. 1**



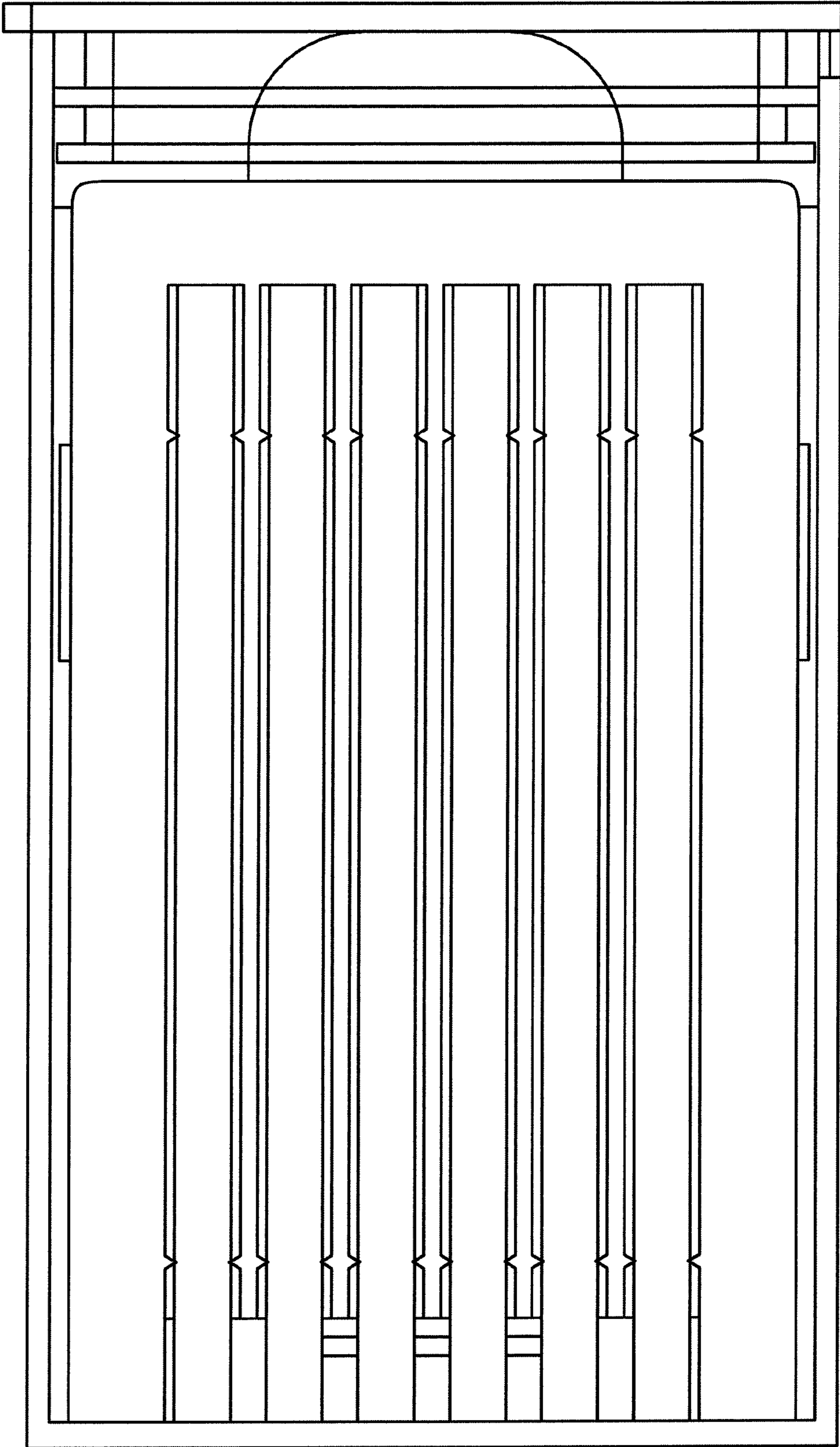


Fig. 2

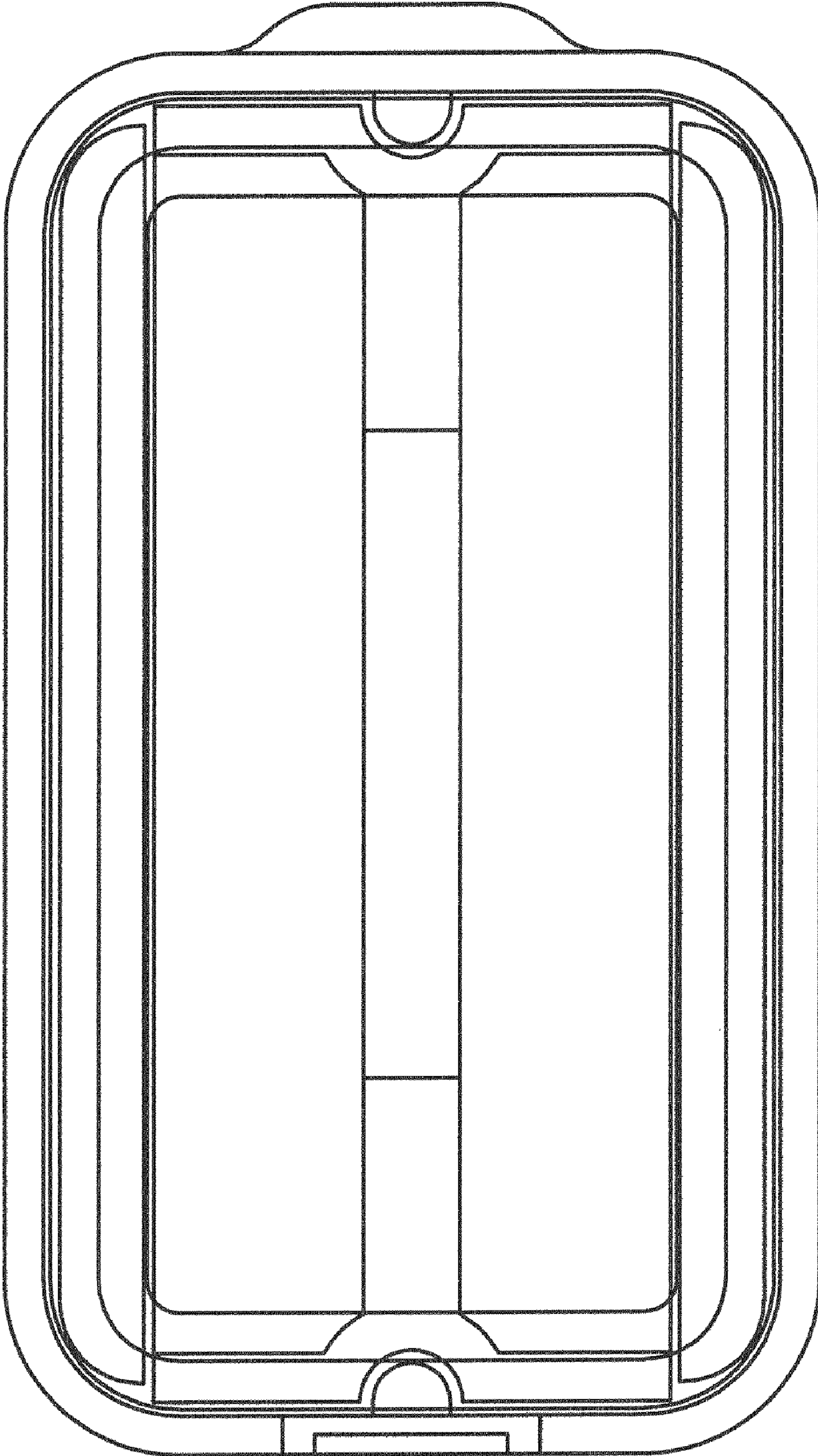


Fig. 3



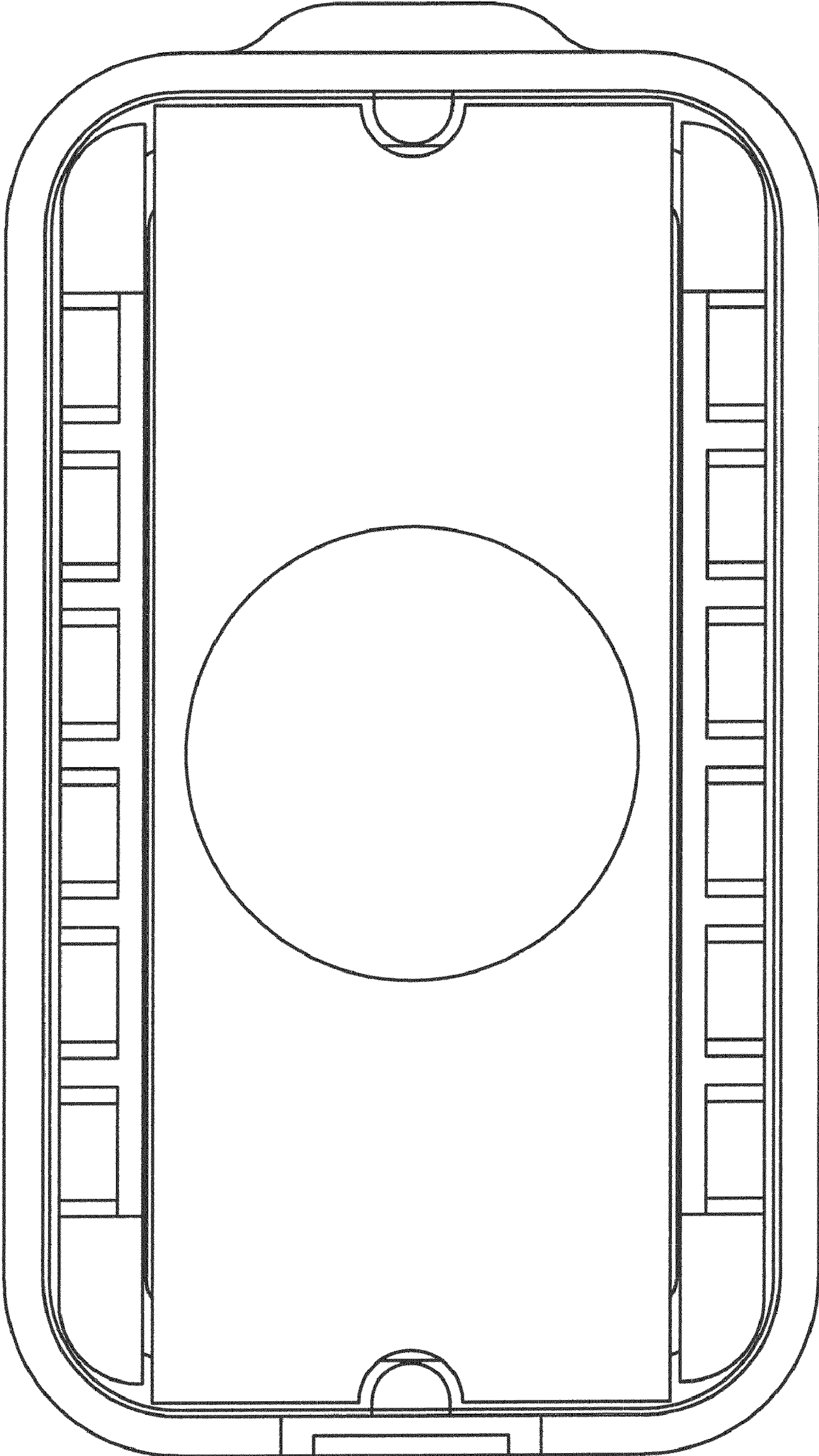
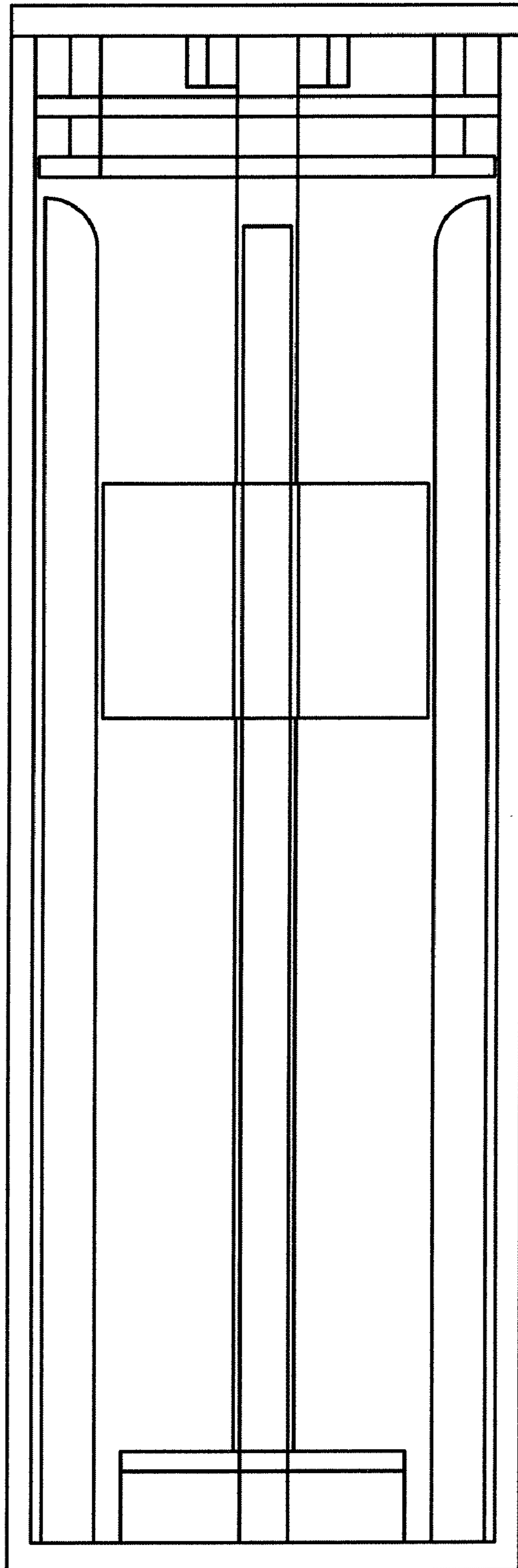


Fig. 4



**Fig. 5**

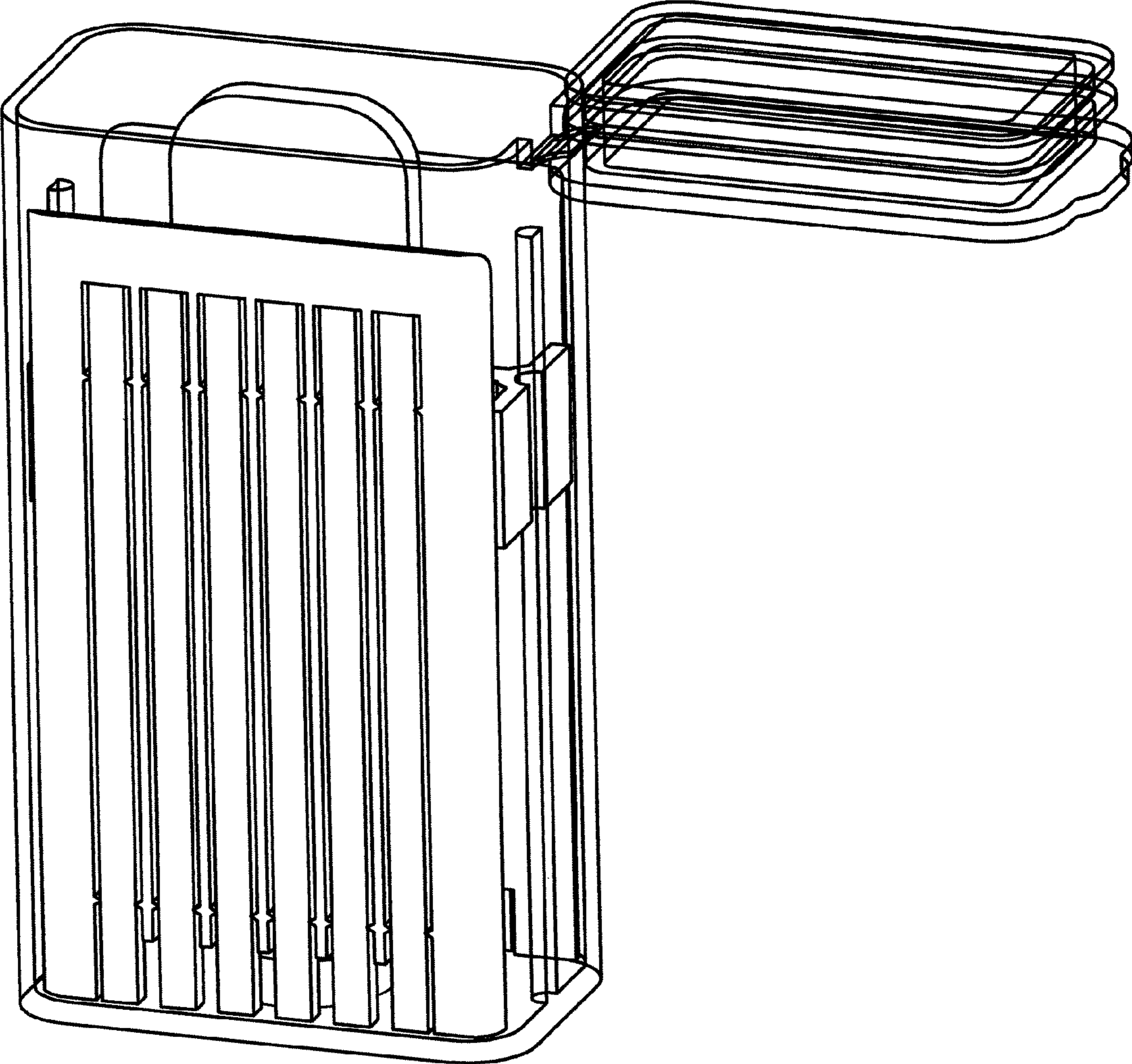
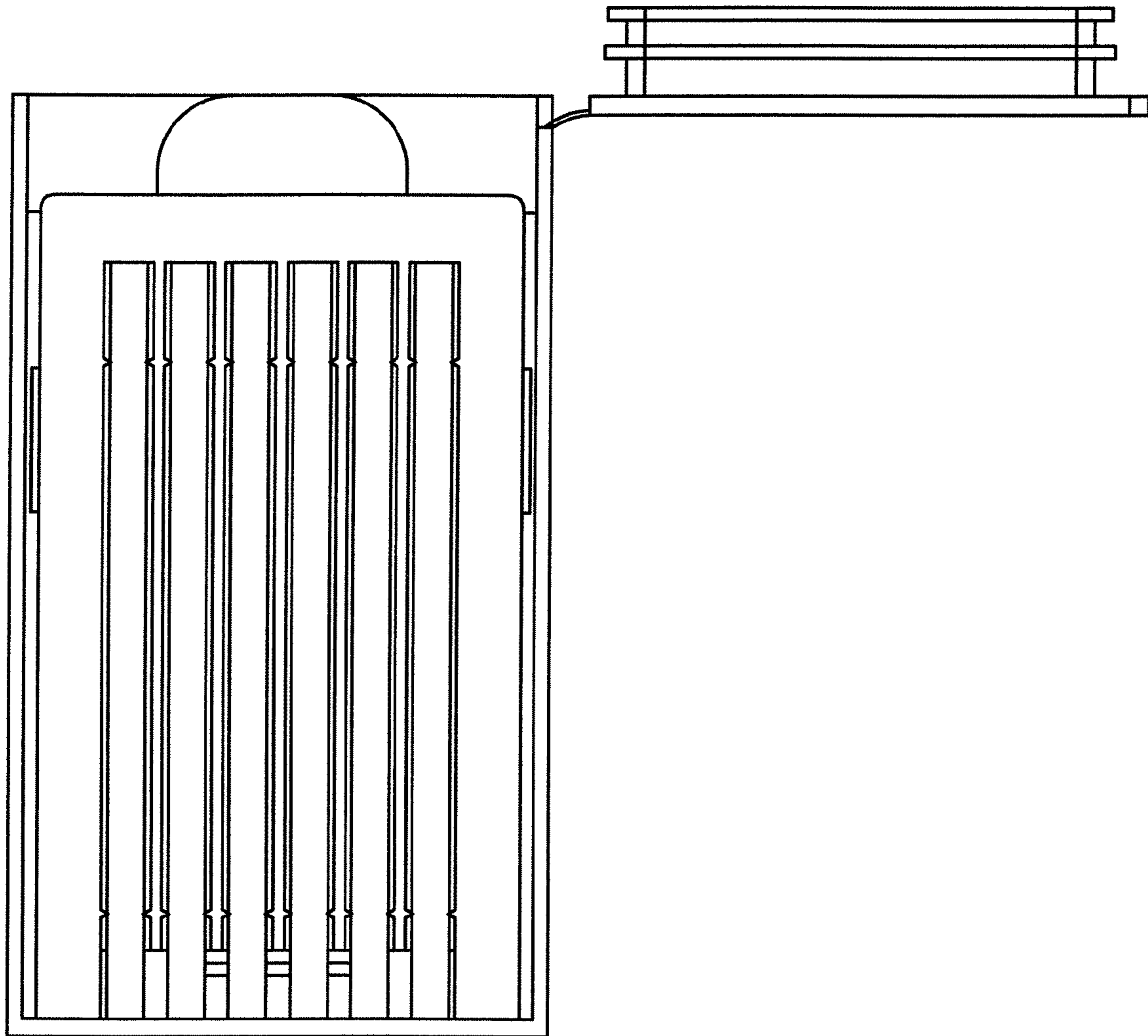


Fig. 6





**Fig. 7**

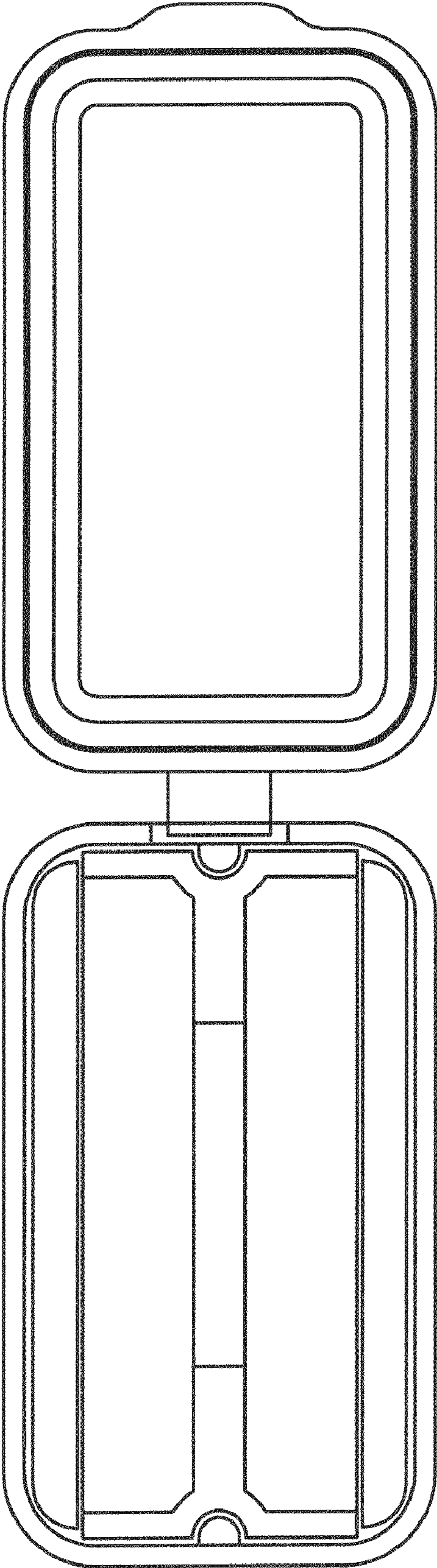


Fig. 8

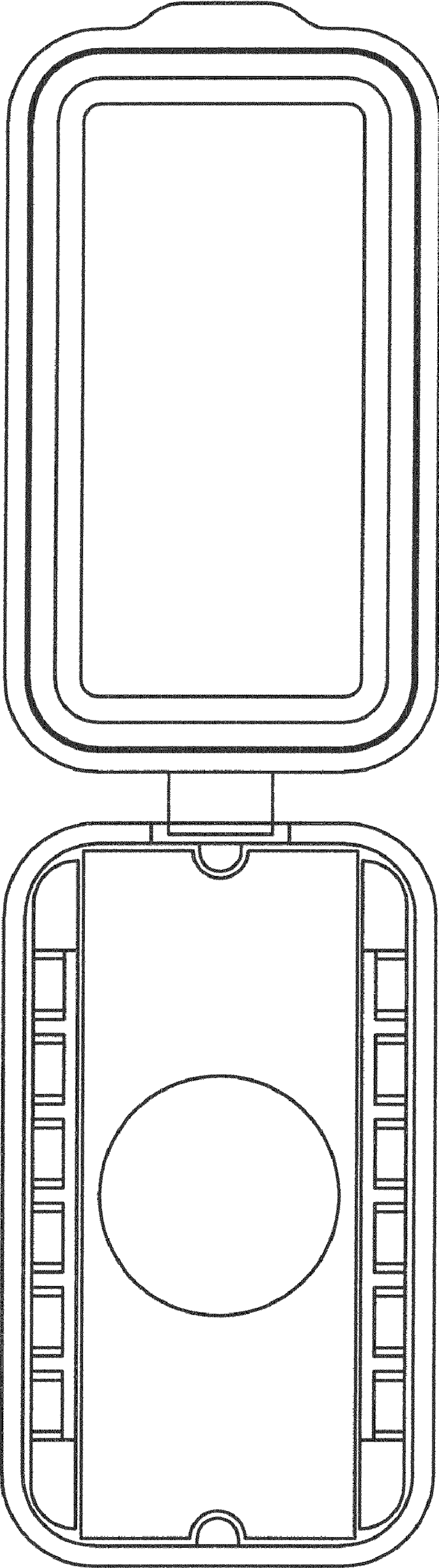
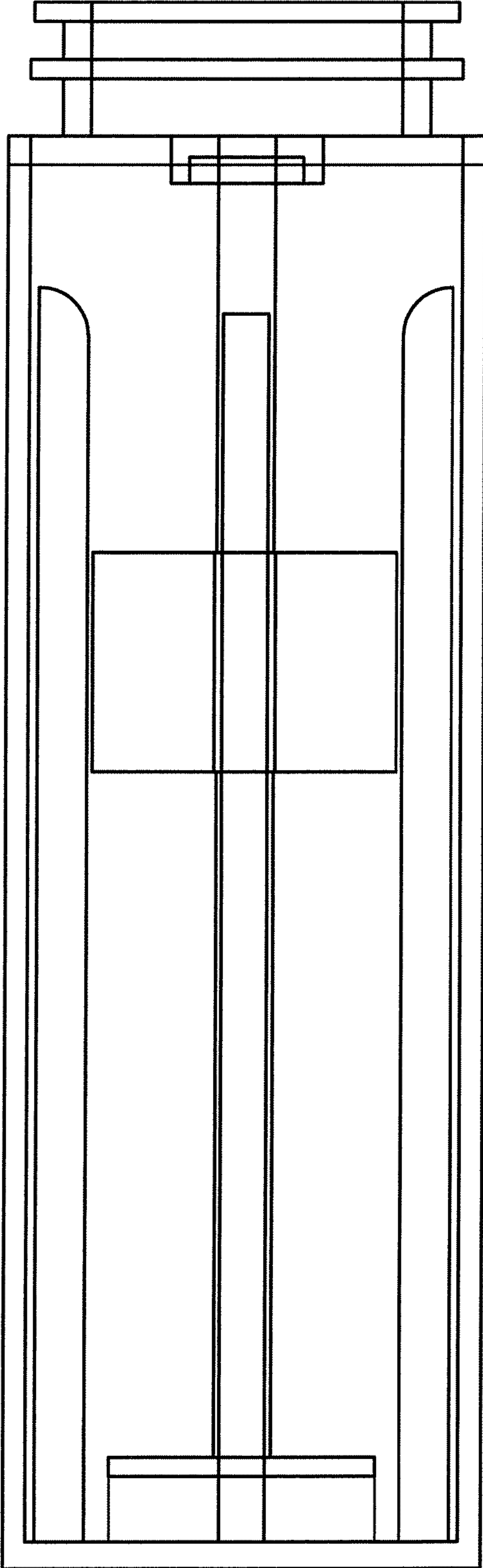
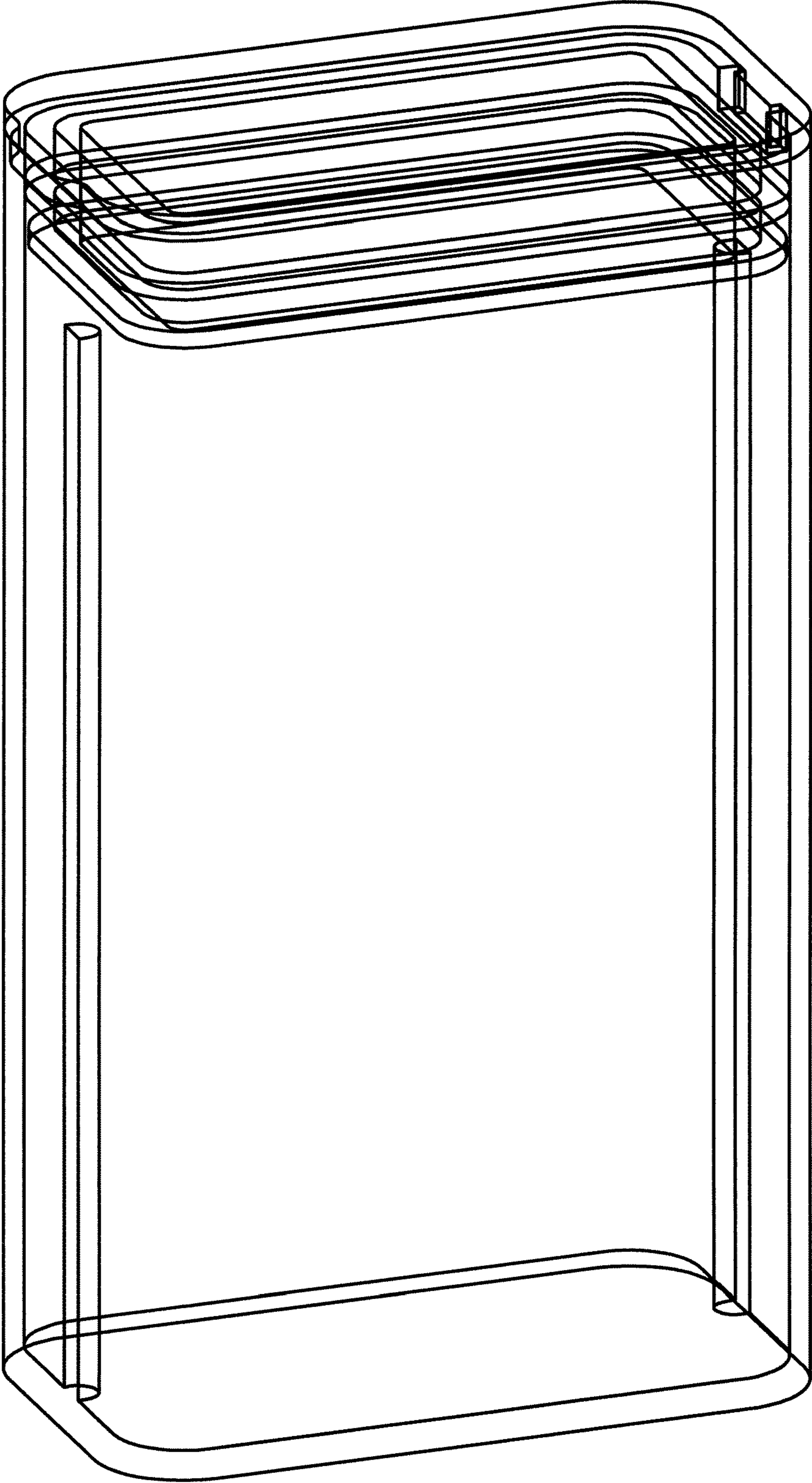


Fig. 9

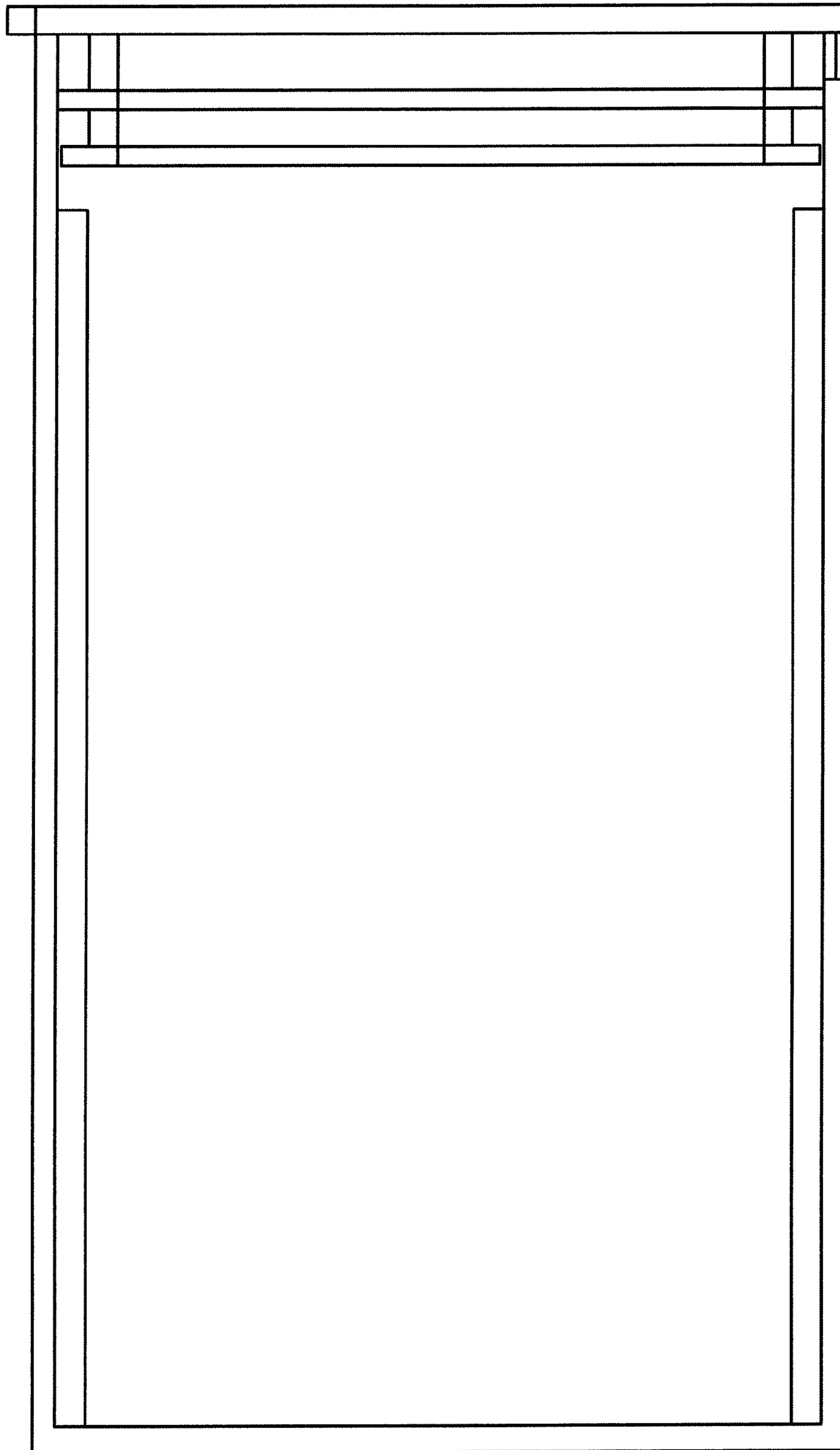




**Fig. 10**

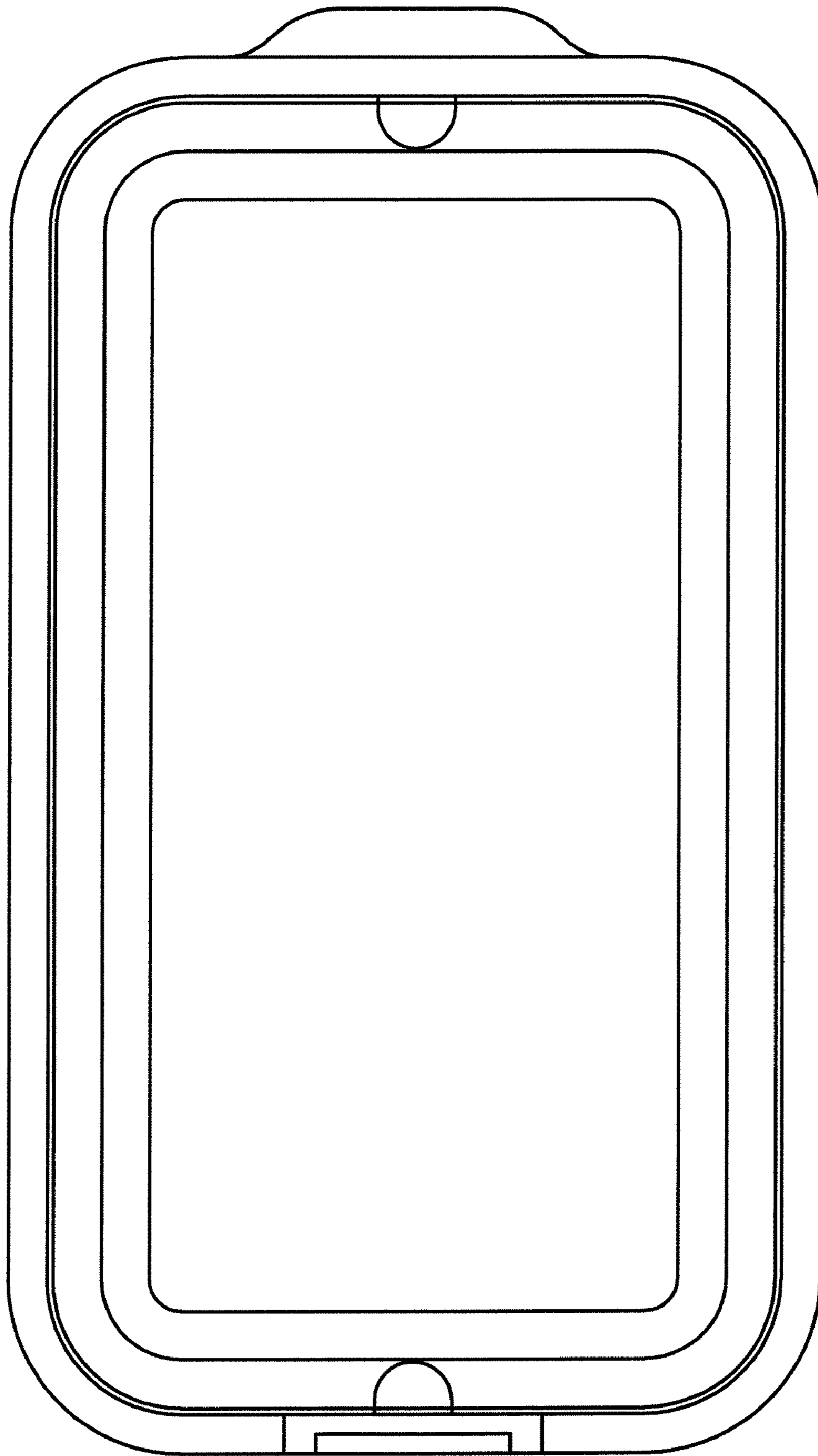


**Fig. 11**



**Fig. 12**





**Fig. 13**

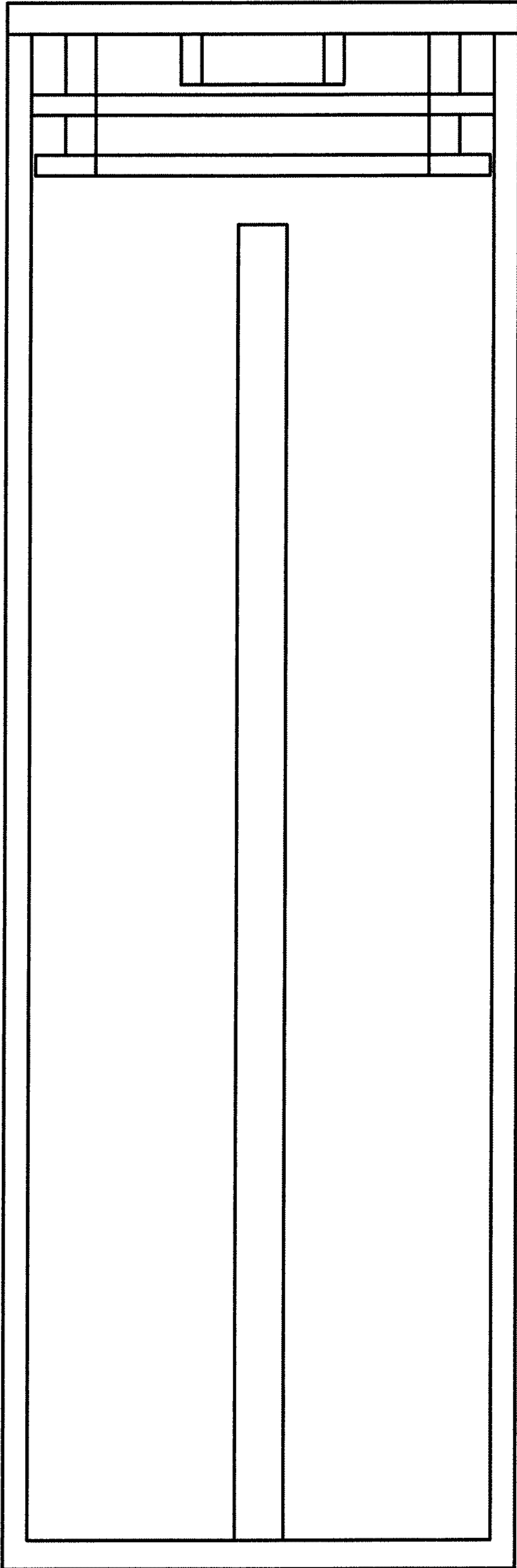


Fig. 14

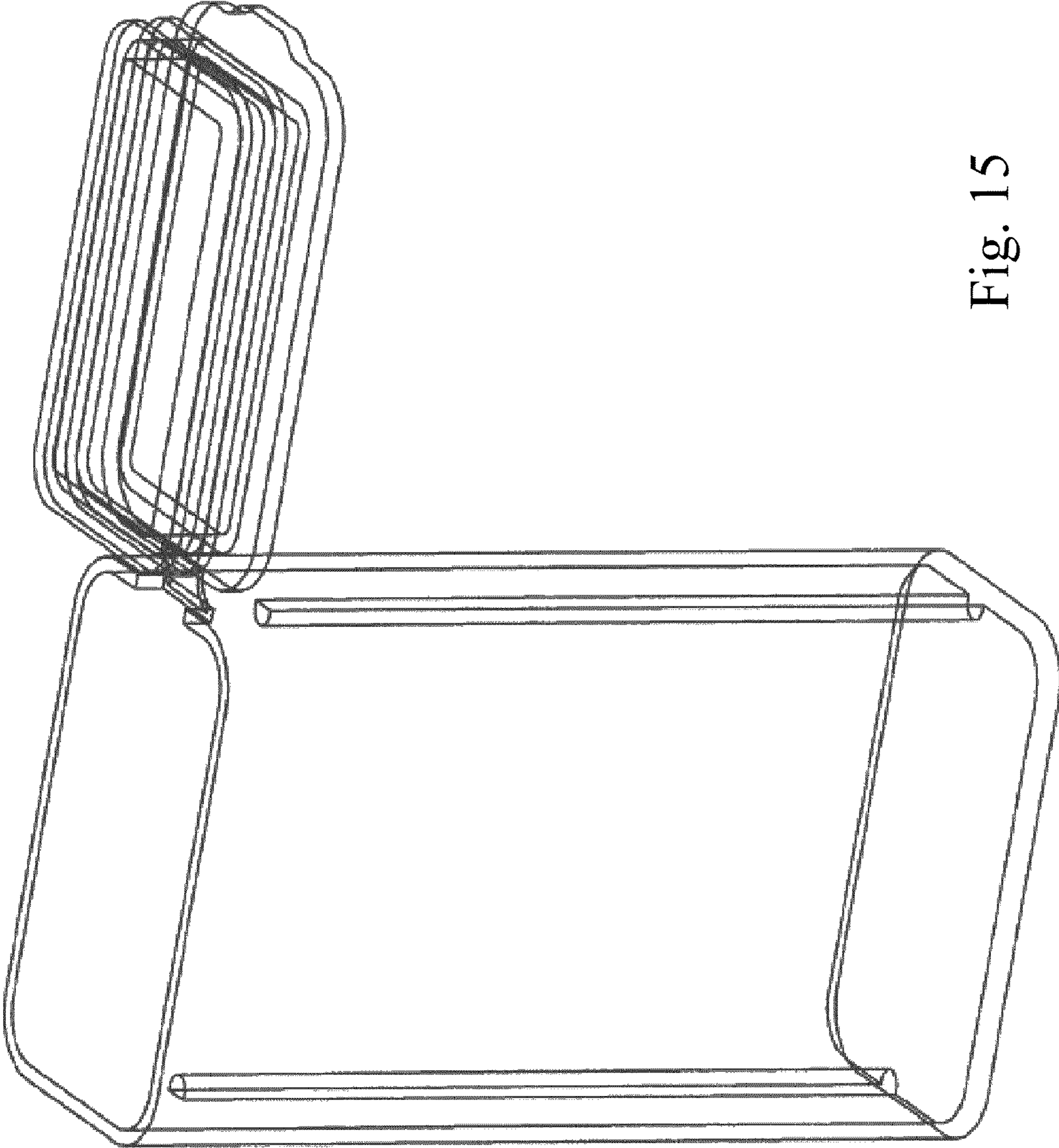
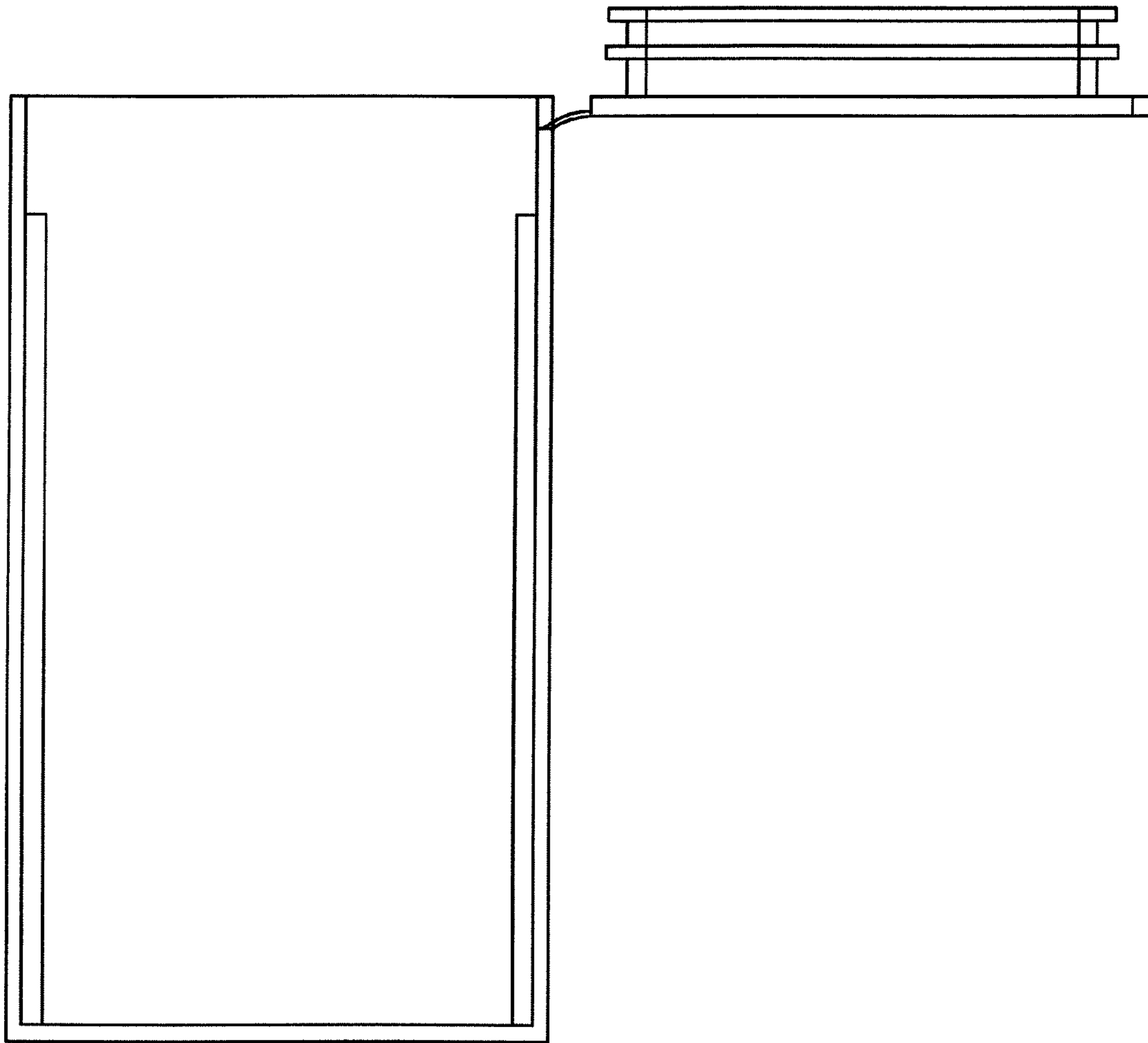


Fig. 15





**Fig. 16**

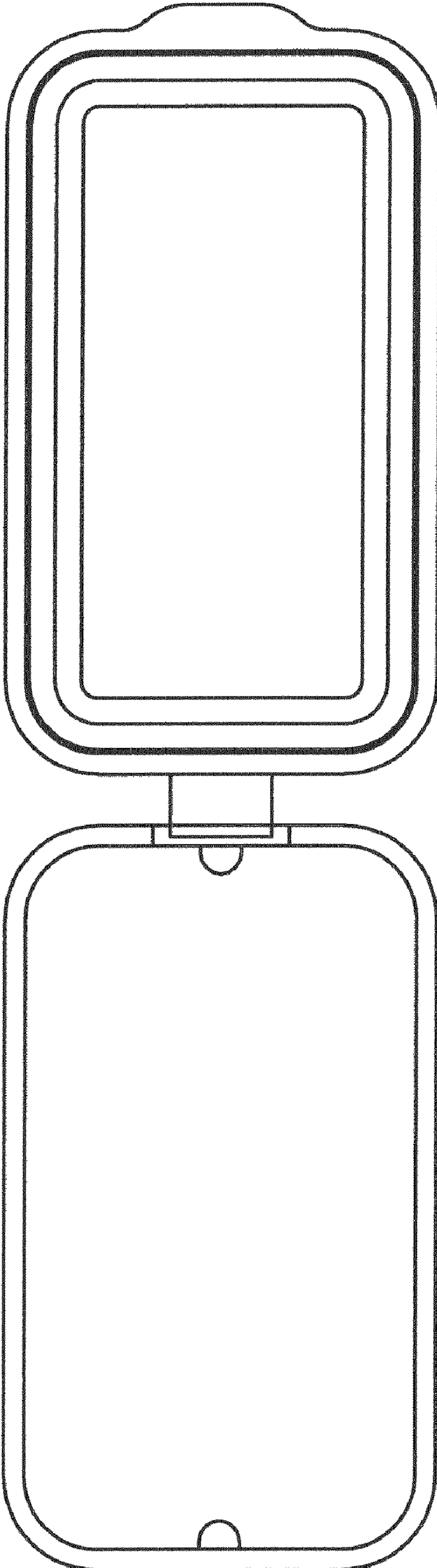
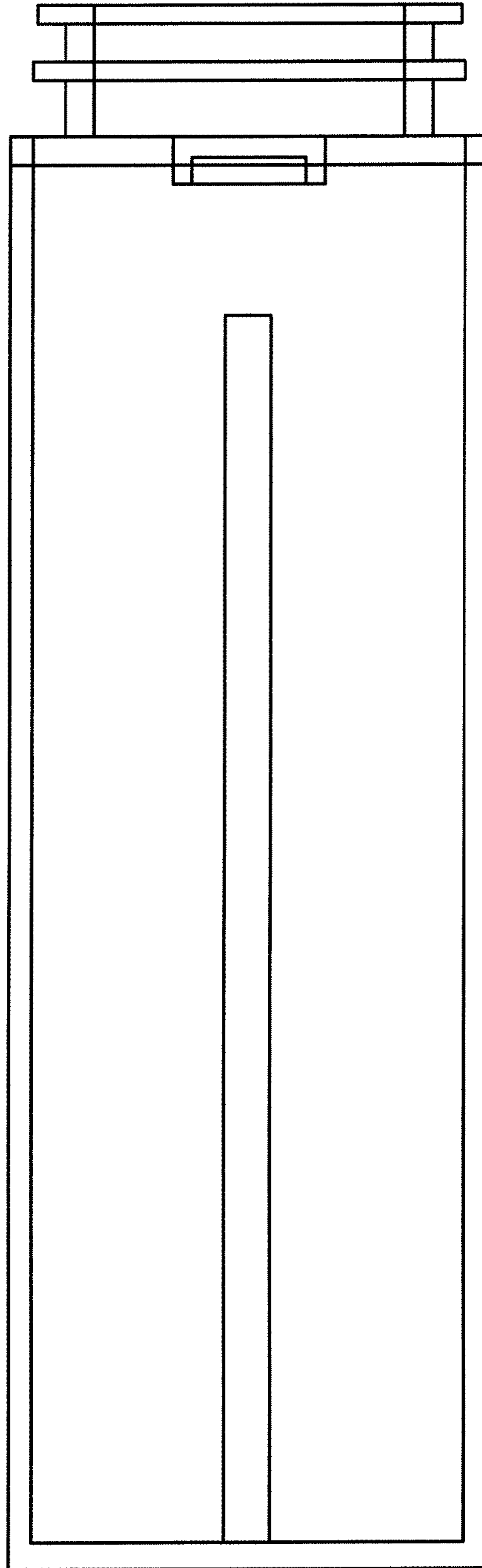


Fig. 17



**Fig. 18**



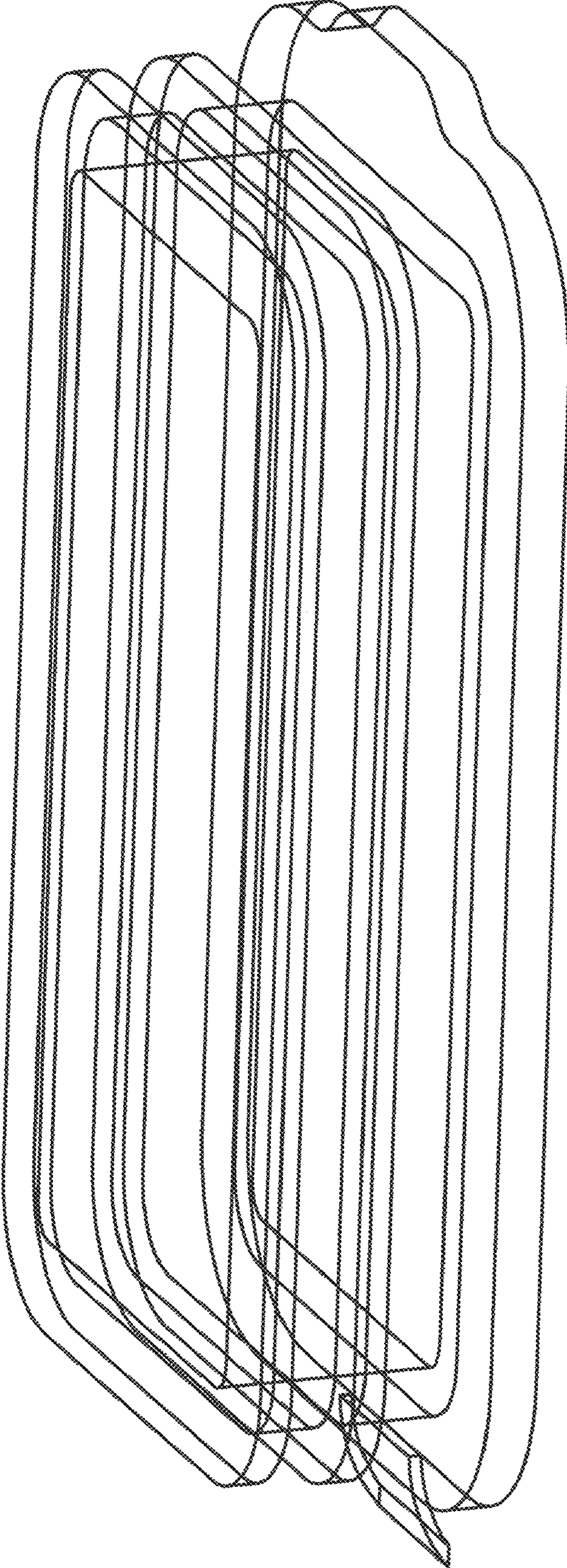


Fig. 19

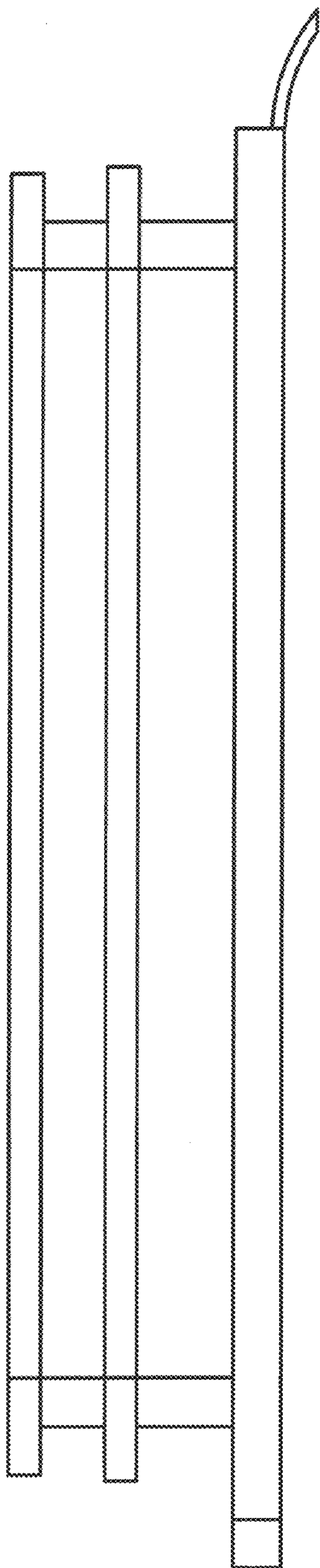
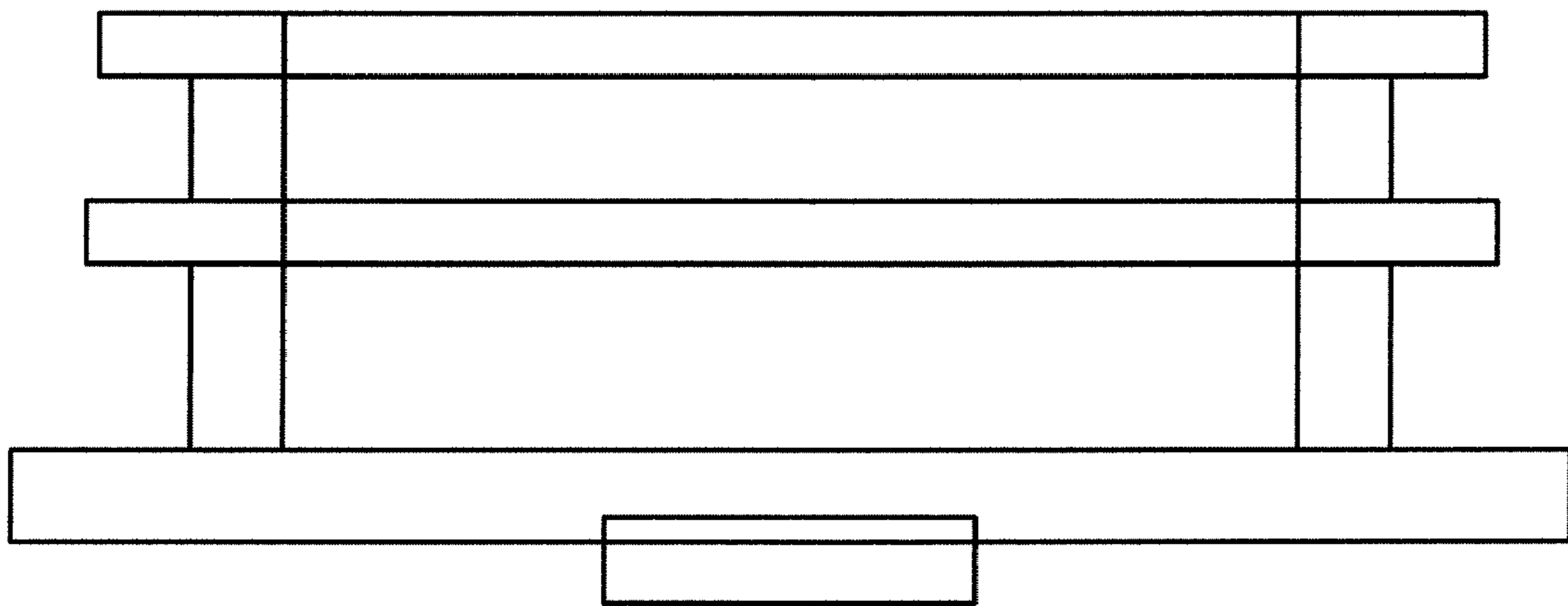
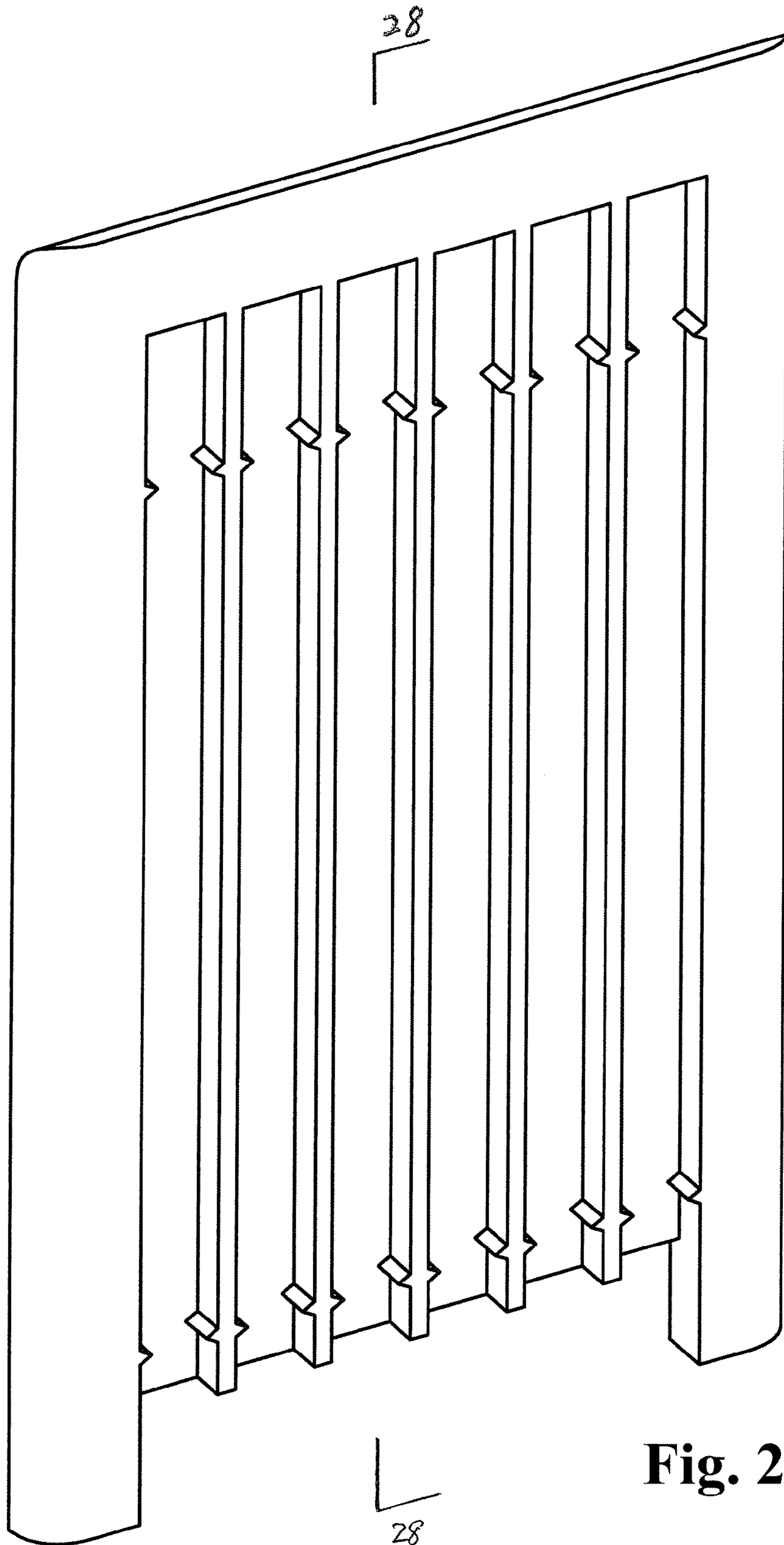


Fig. 20

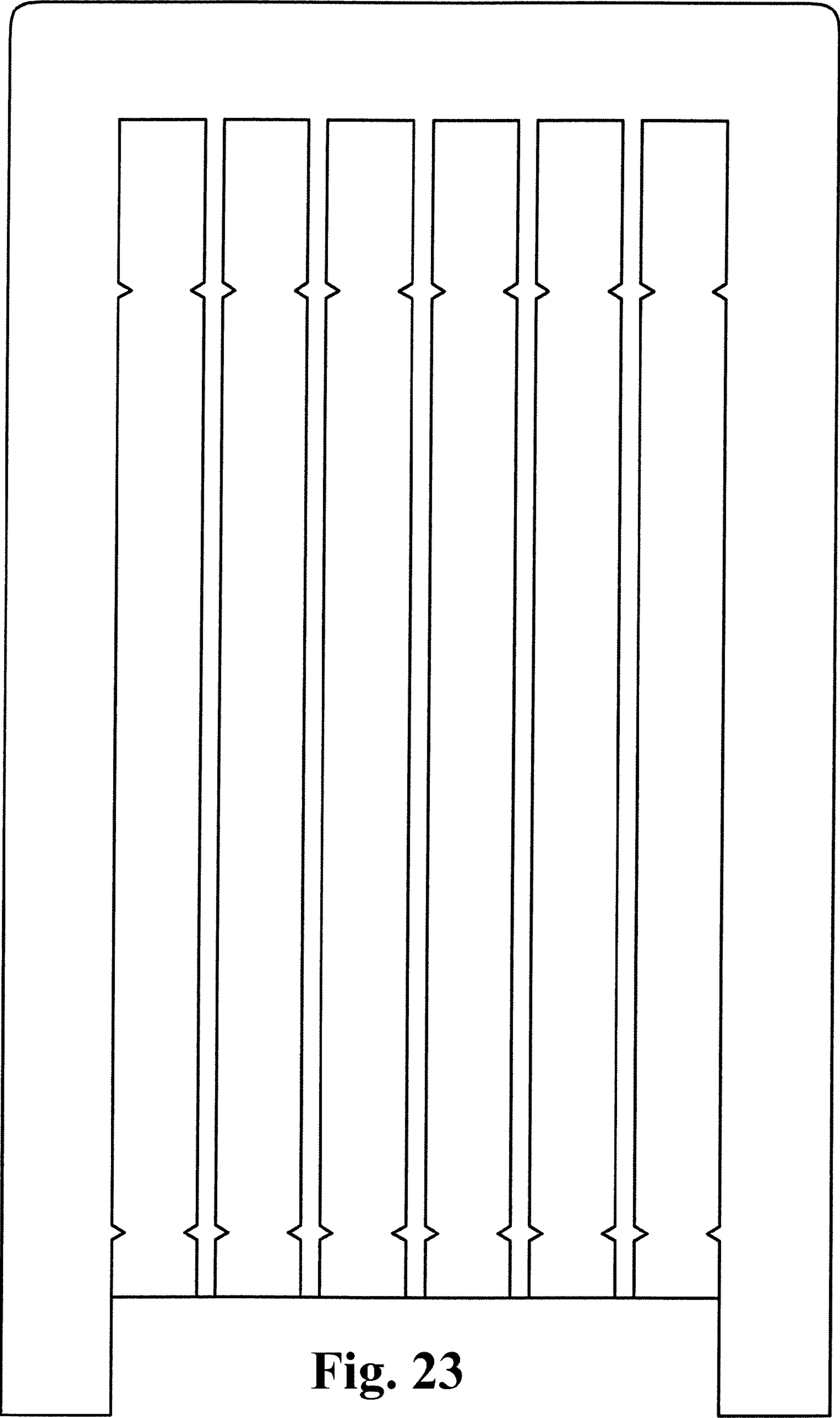


**Fig. 21**

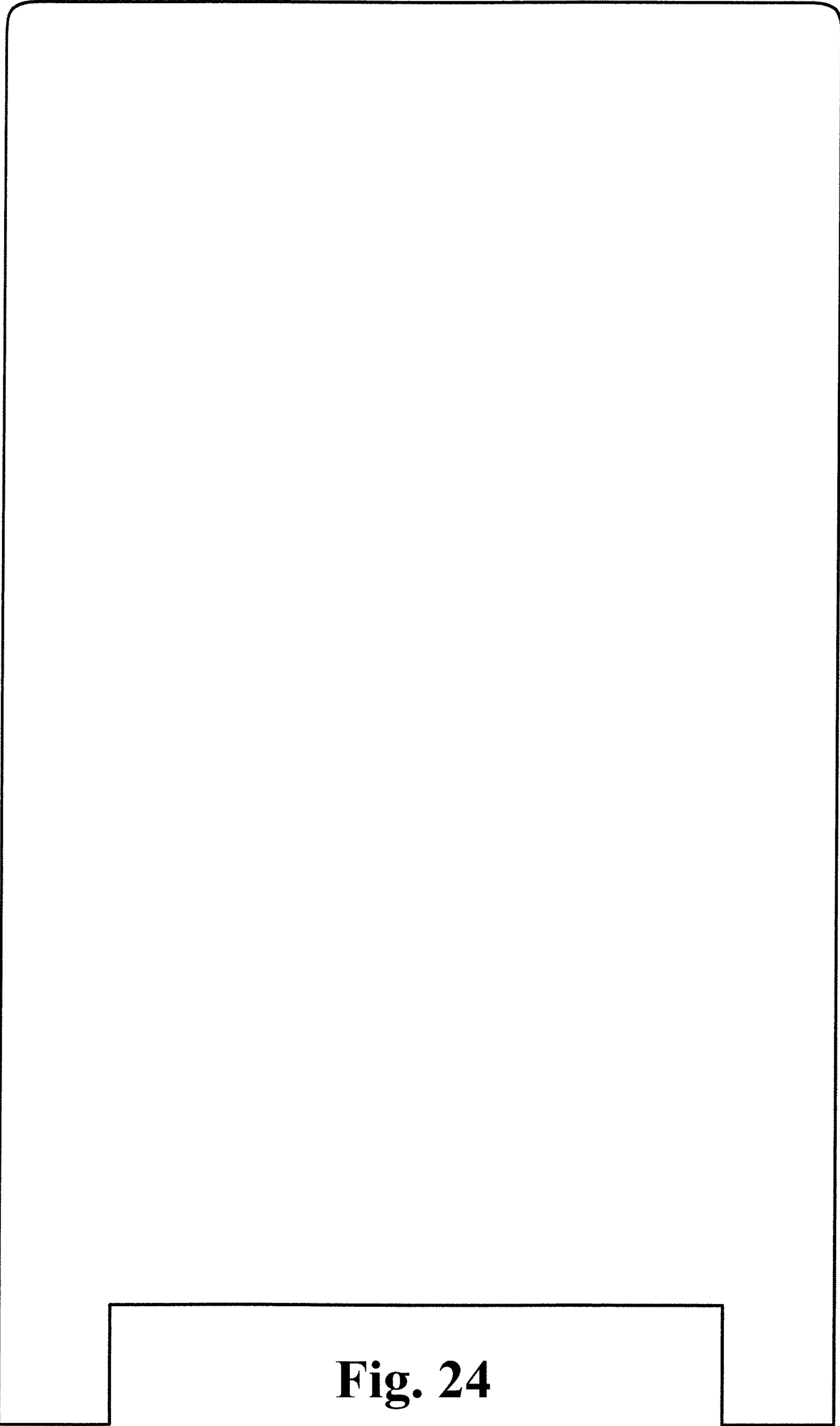




**Fig. 22**



**Fig. 23**



**Fig. 24**



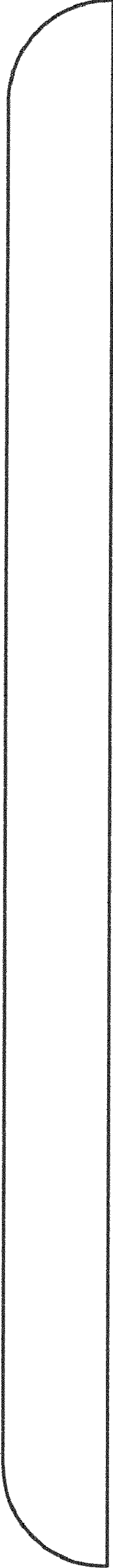


Fig. 25

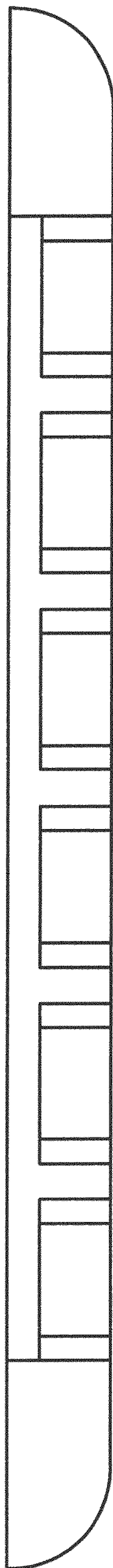
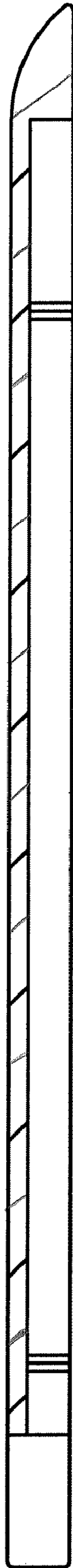


Fig. 26

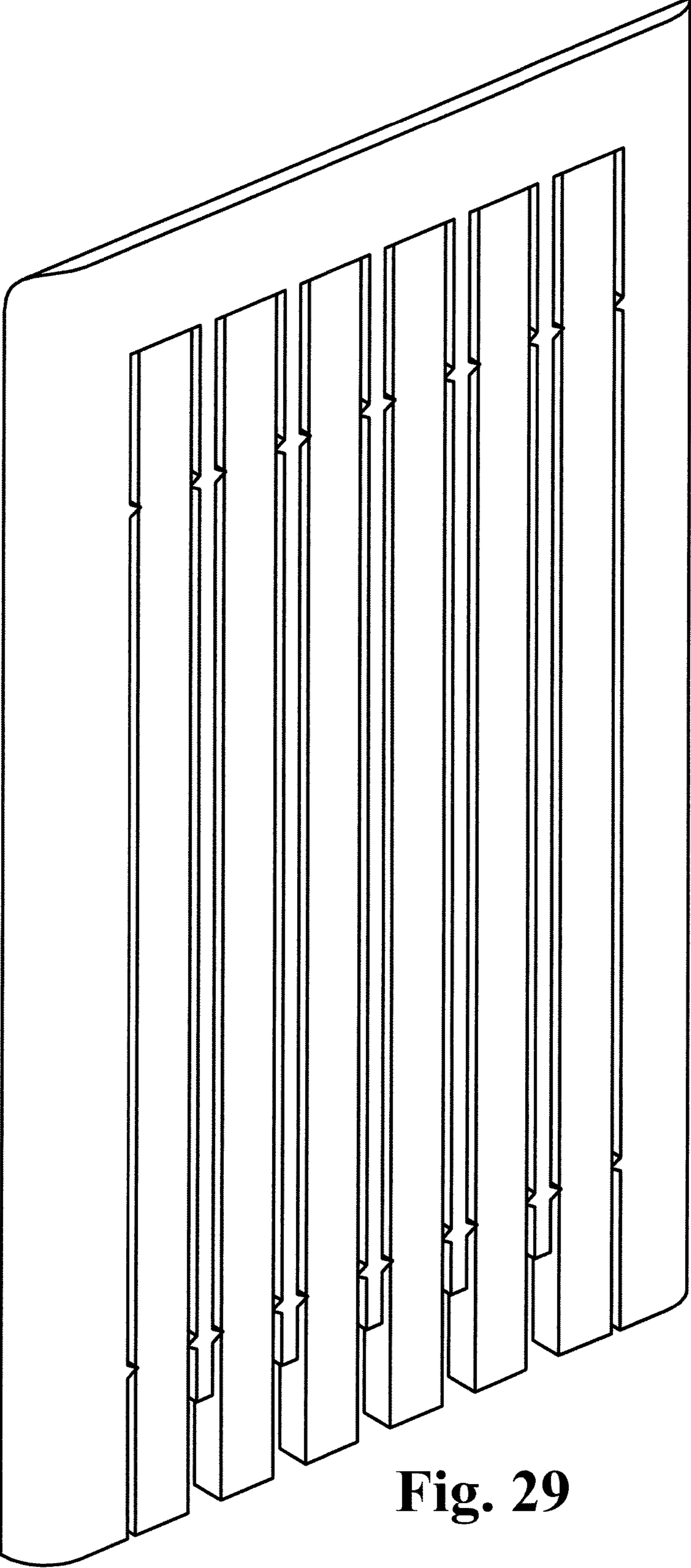


**Fig. 27**

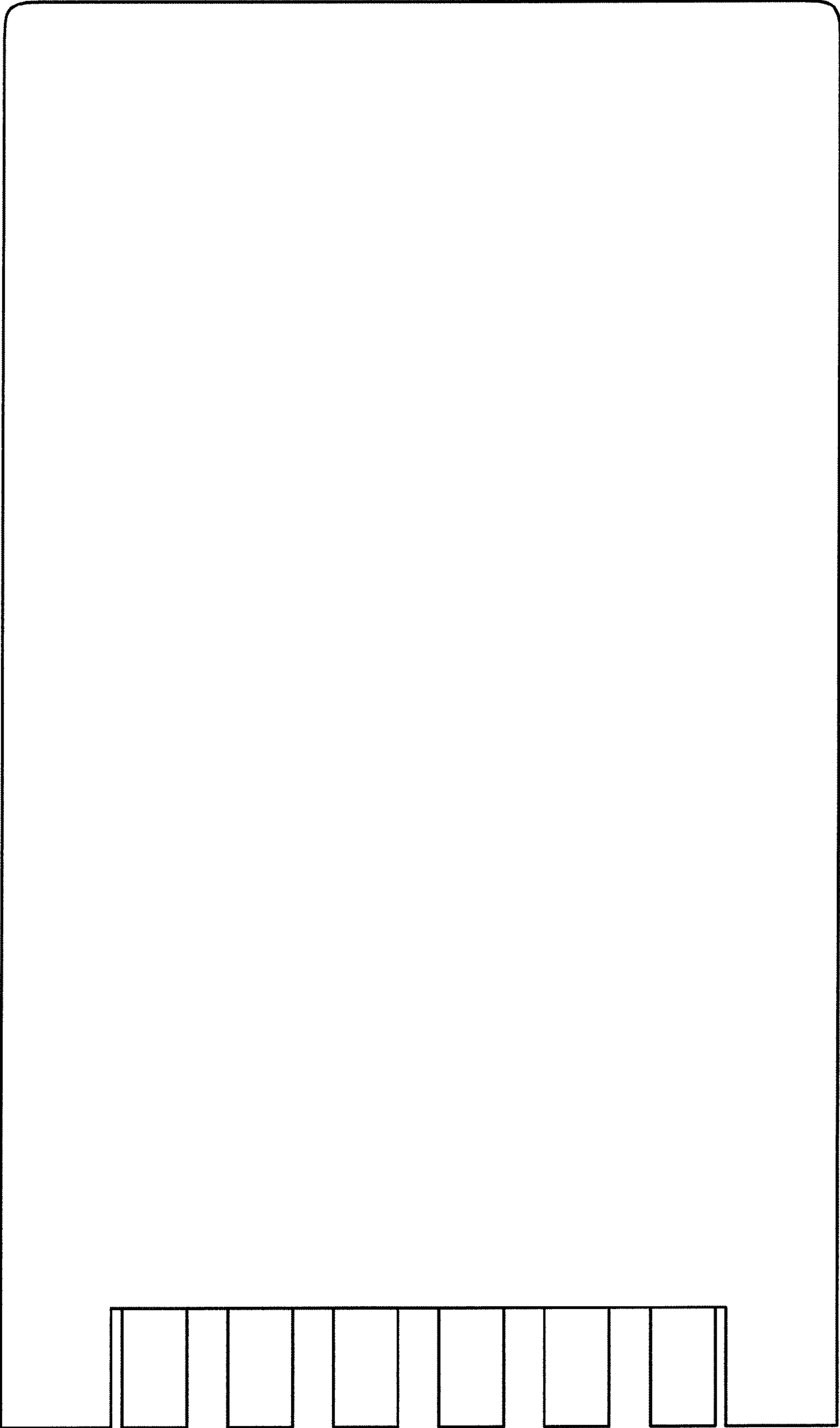




**Fig. 28**



**Fig. 29**



**Fig. 30**



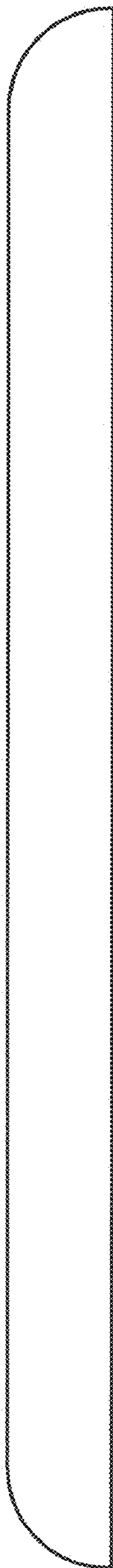


Fig. 31

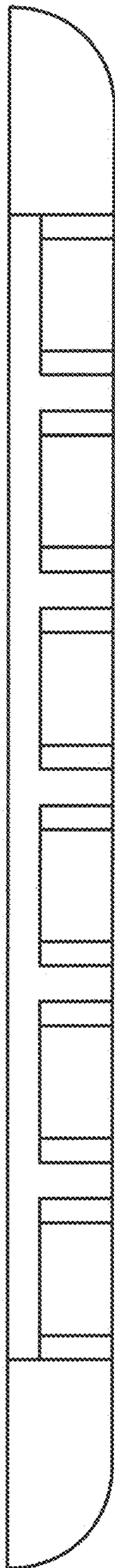
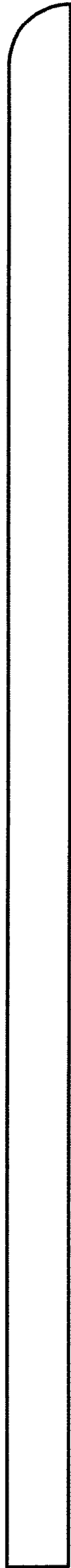
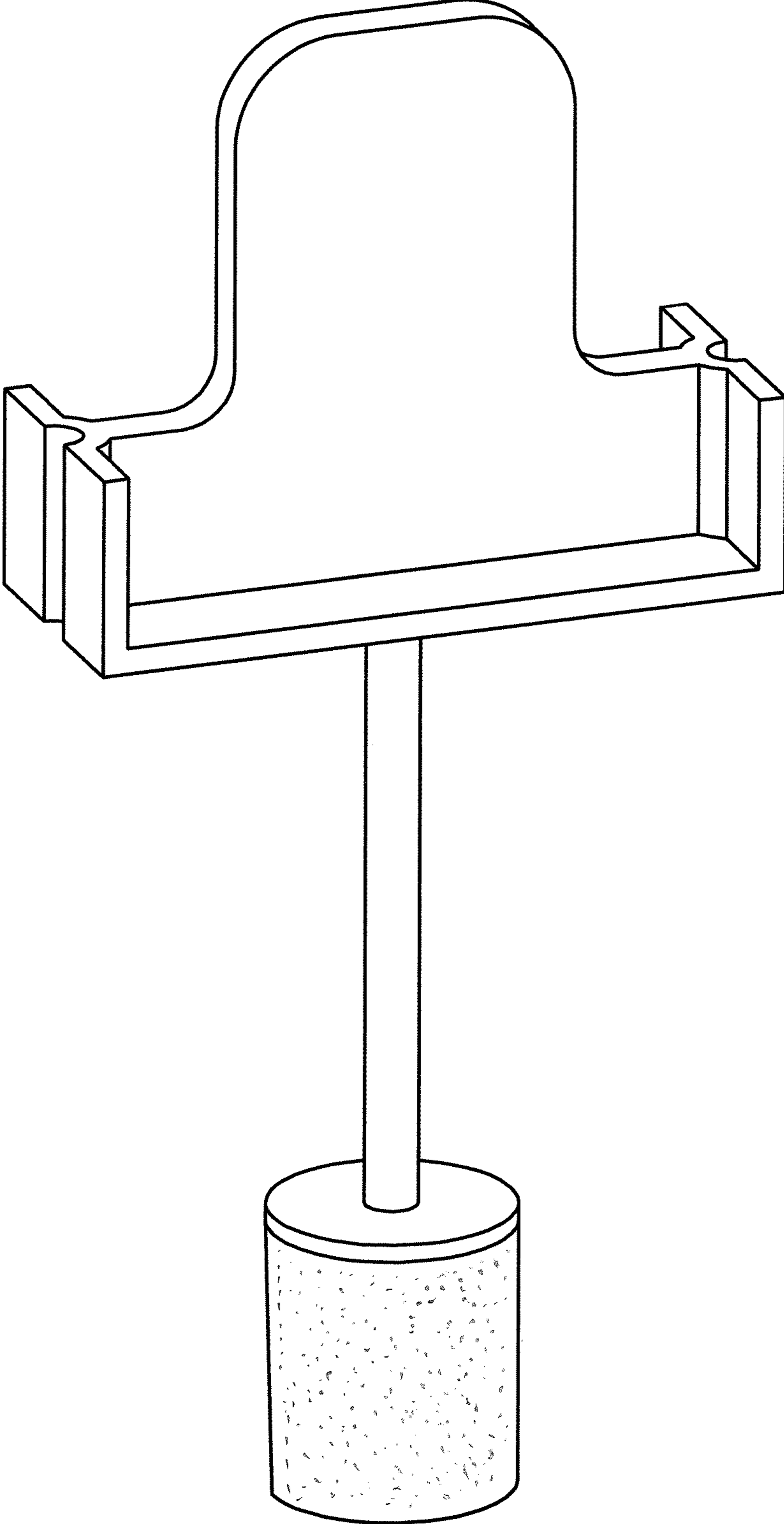


Fig. 32

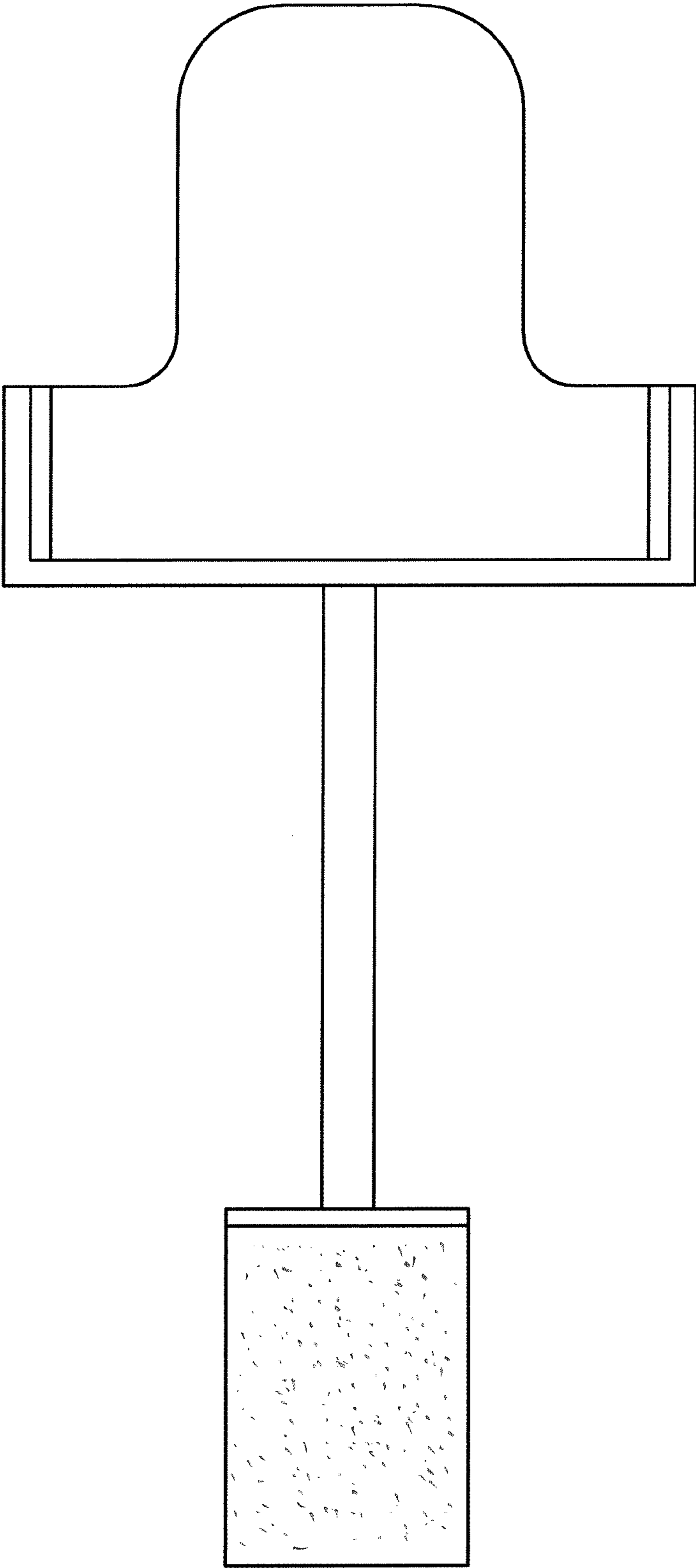


**Fig. 33**





**Fig. 34**



**Fig. 35**

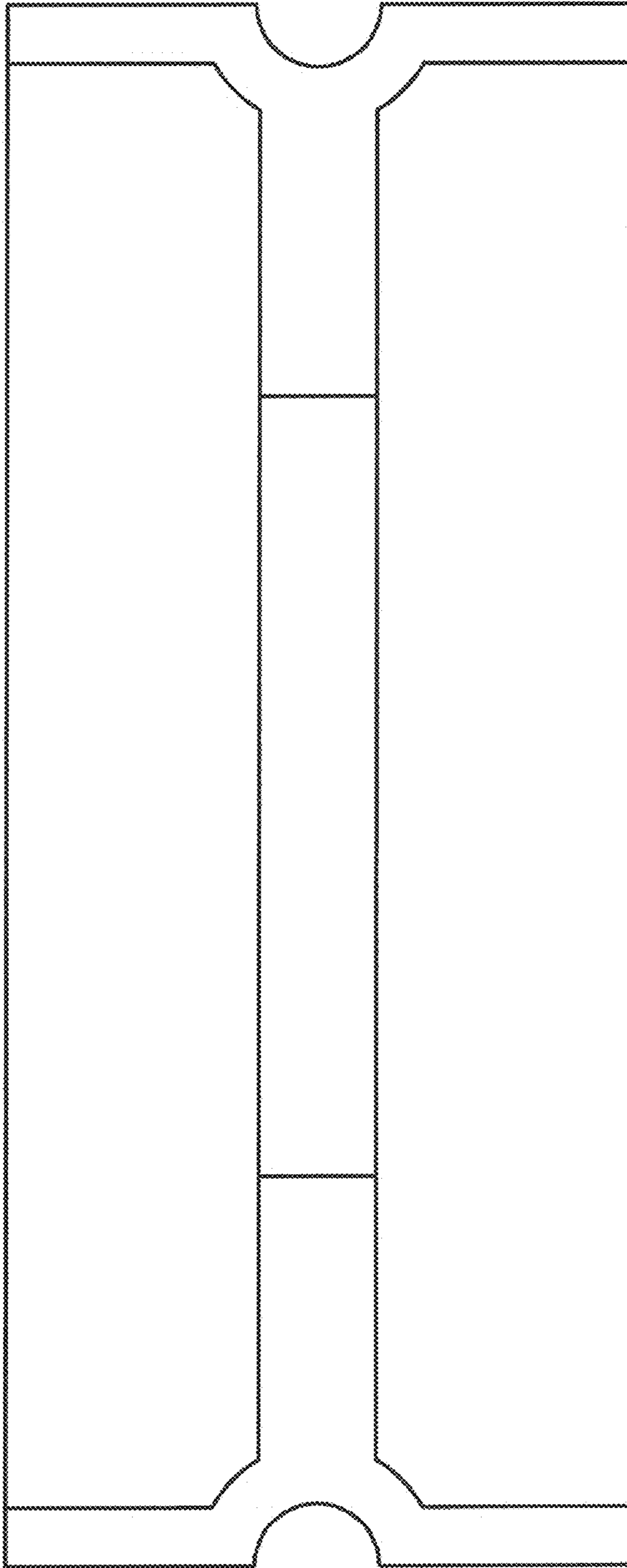


Fig. 36

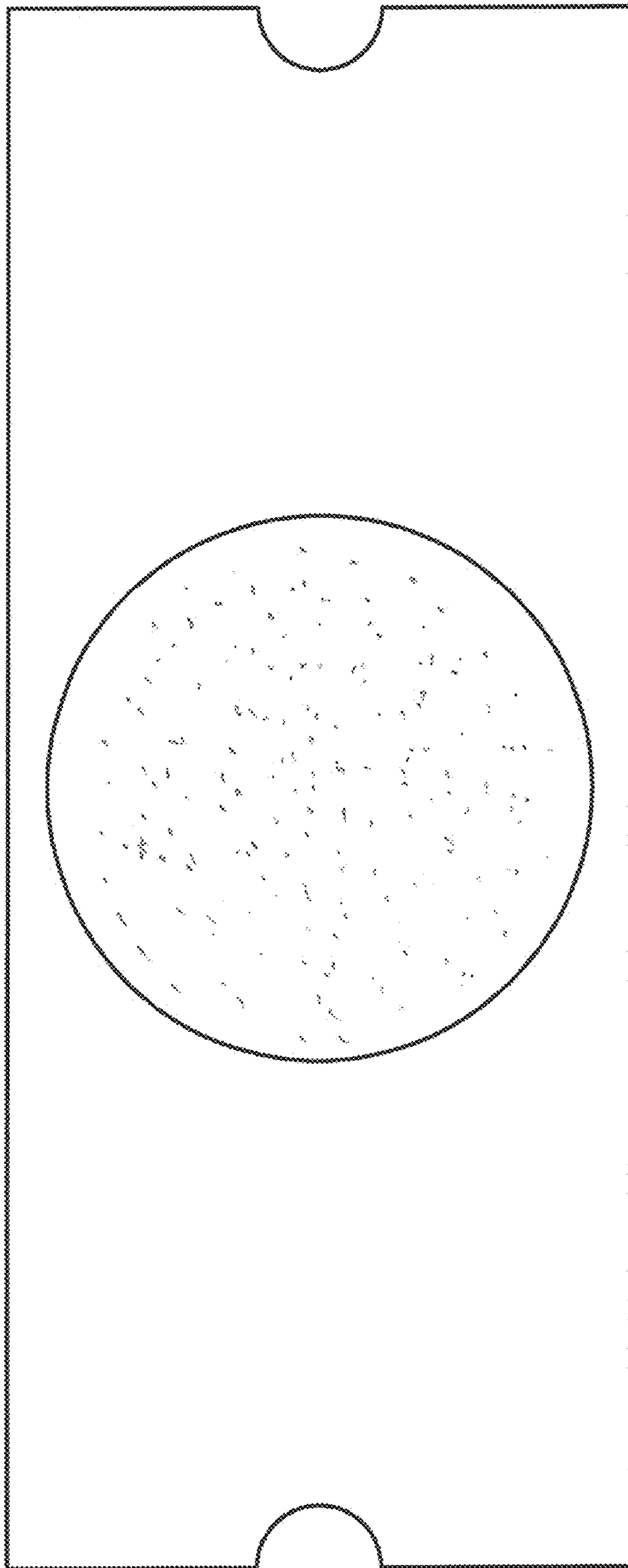
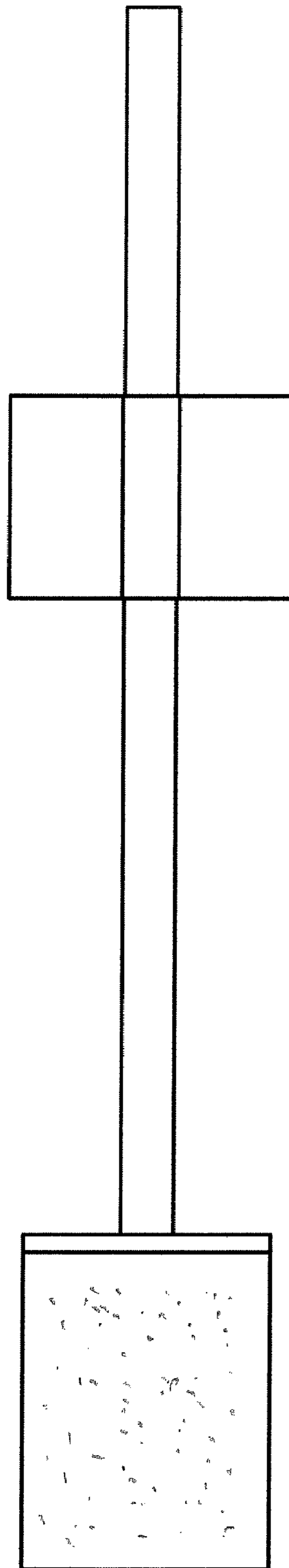


Fig. 37





**Fig. 38**