



US00D645766S

(12) **United States Design Patent**
Bertucci

(10) **Patent No.:** **US D645,766 S**

(45) **Date of Patent:** **** Sep. 27, 2011**

(54) **WATCH CASING**

(76) Inventor: **Michael H. Bertucci**, Gurnee, IL (US)

(**) Term: **14 Years**

(21) Appl. No.: **29/386,295**

(22) Filed: **Feb. 28, 2011**

(51) **LOC (9) Cl.** **10-02**

(52) **U.S. Cl.** **D10/38**

(58) **Field of Classification Search** D10/30-39;
368/276, 281, 282, 285

See application file for complete search history.

(56) **References Cited**

U.S. PATENT DOCUMENTS

D195,421	S	*	6/1963	Huguenin	D10/39
3,740,944	A	*	6/1973	Chopard	368/281
3,901,023	A	*	8/1975	Uebelhardt	368/281
D251,055	S	*	2/1979	Sulek	D10/38
D326,419	S	*	5/1992	Bulgari	D10/39
D327,851	S	*	7/1992	Besson	D10/39
5,226,023	A	*	7/1993	Grimm	368/223
D358,776	S	*	5/1995	Pandel	D10/30
D415,694	S	*	10/1999	Fichter	D10/30
D436,044	S	*	1/2001	Subilia	D10/30
D438,472	S	*	3/2001	Fichter	D10/39
6,570,823	B1	*	5/2003	Gilomen et al.	368/113
D488,724	S	*	4/2004	Bertucci	D10/30
D519,388	S	*	4/2006	Calvani	D10/30
D551,095	S	*	9/2007	Monachon	D10/32
D559,123	S	*	1/2008	Modolo	D10/32
D569,276	S	*	5/2008	Scheufele	D10/39
D590,274	S	*	4/2009	Monachon	D10/31

D590,727	S	*	4/2009	Wei	D10/38
D608,223	S	*	1/2010	Salanitro	D10/38
D609,586	S	*	2/2010	Bertucci	D10/38
D624,443	S	*	9/2010	Cerrato	D10/38
D632,979	S	*	2/2011	Chastaingt	D10/38

* cited by examiner

Primary Examiner — Lucy Lieberman

(74) *Attorney, Agent, or Firm* — Clark Hill PLC

(57) **CLAIM**

I claim the ornamental design for a watch casing, as shown and described.

DESCRIPTION

FIG. 1 is a perspective view of the watch casing according to my design;

FIG. 2 is a top plan view of the watch casing according to my design;

FIG. 3 is a bottom plan view of the watch casing according to my design;

FIG. 4 is a right side view of the watch casing according to my design;

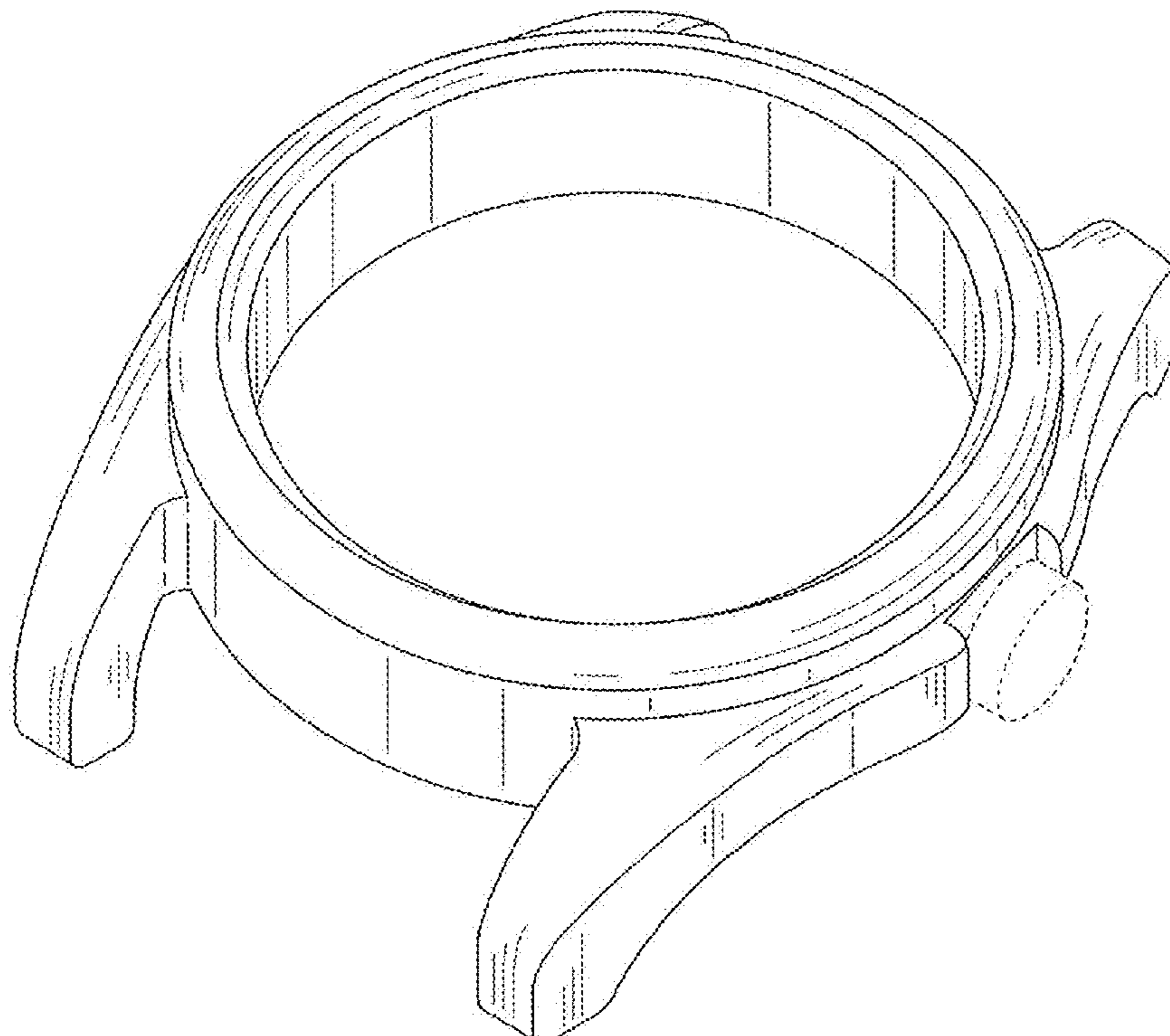
FIG. 5 is a left side view of the watch casing according to my design;

FIG. 6 is a front elevation view of the watch casing according to my design; and,

FIG. 7 is a back elevation view of the watch casing according to my design.

The broken line showing in FIGS. 1-4, 6 and 7 of the watch casing is for illustrative purposes only and forms no part of the claimed design.

1 Claim, 4 Drawing Sheets



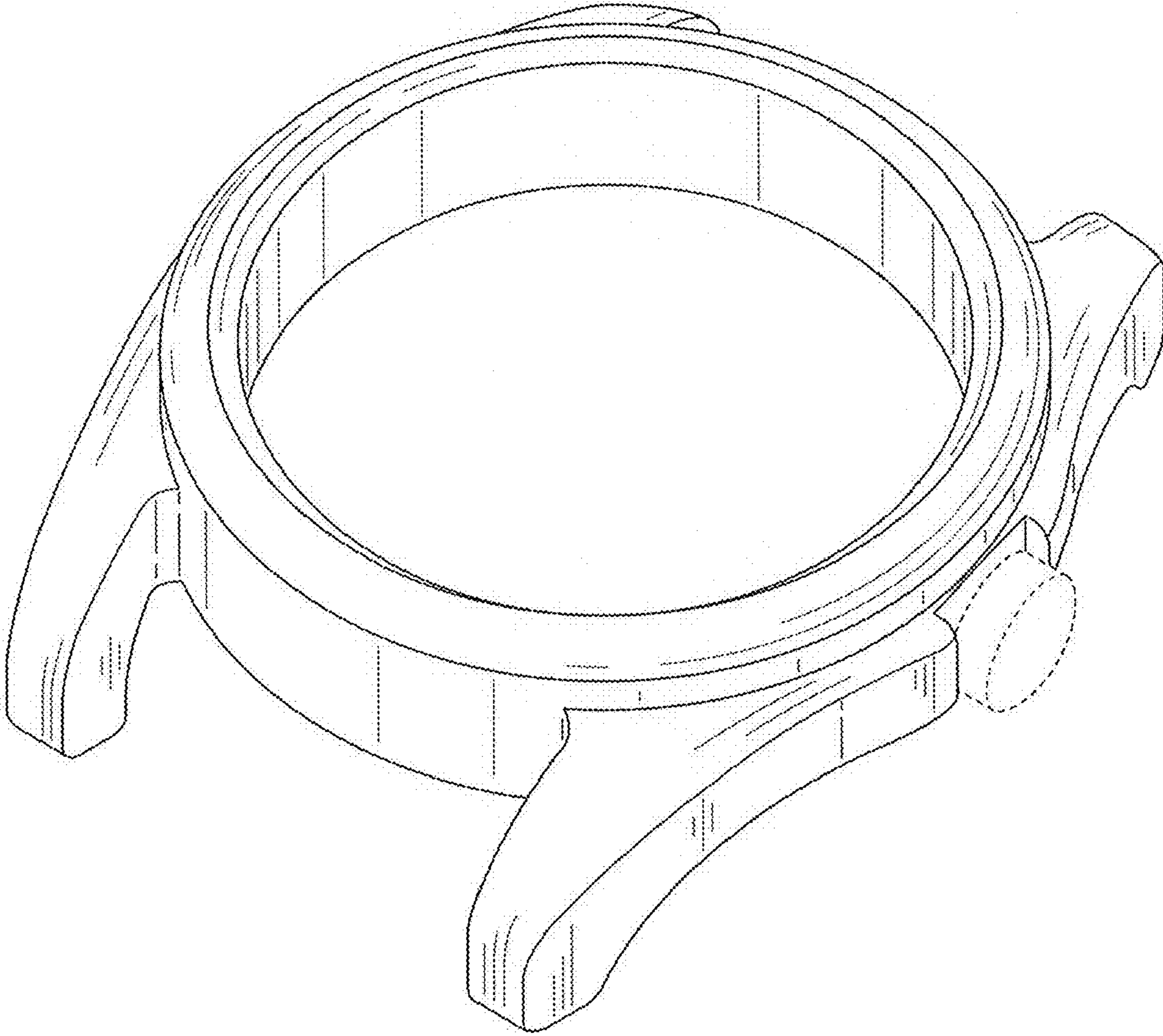


FIG. 1

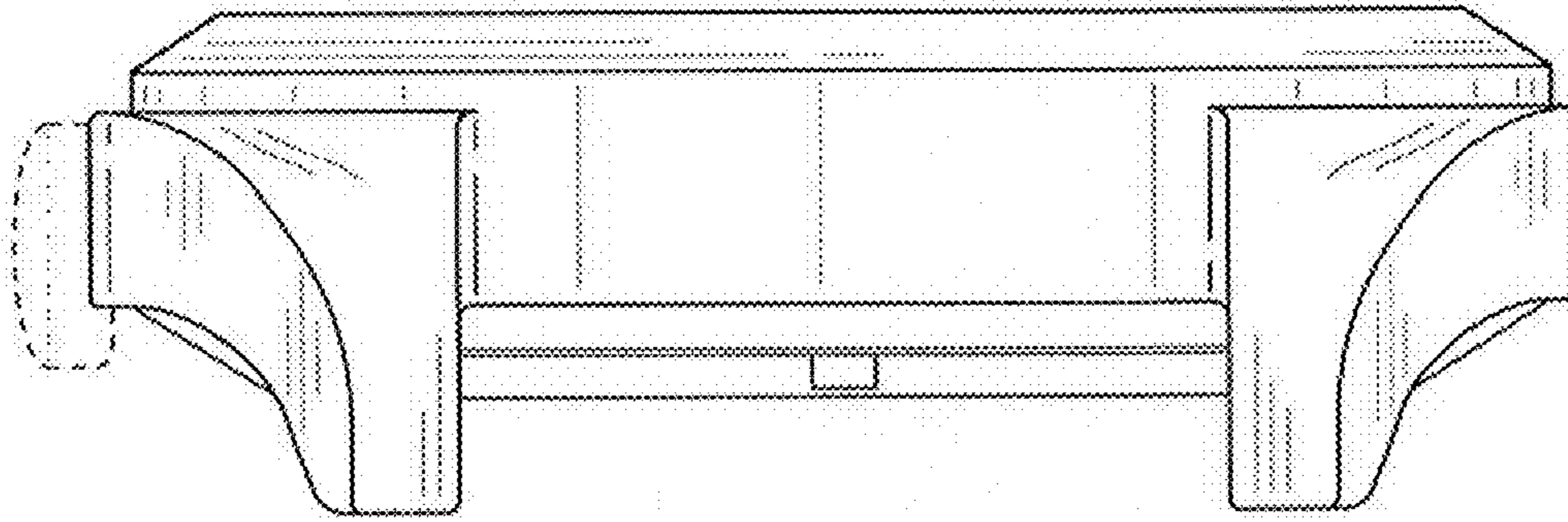


FIG. 2

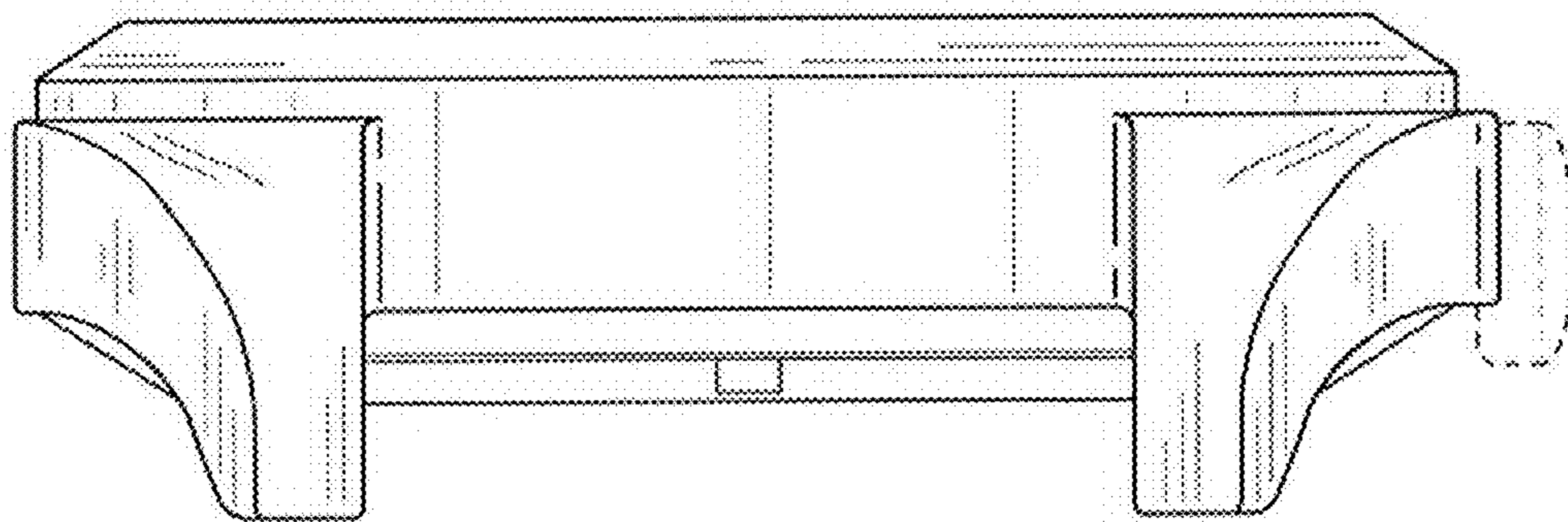


FIG. 3

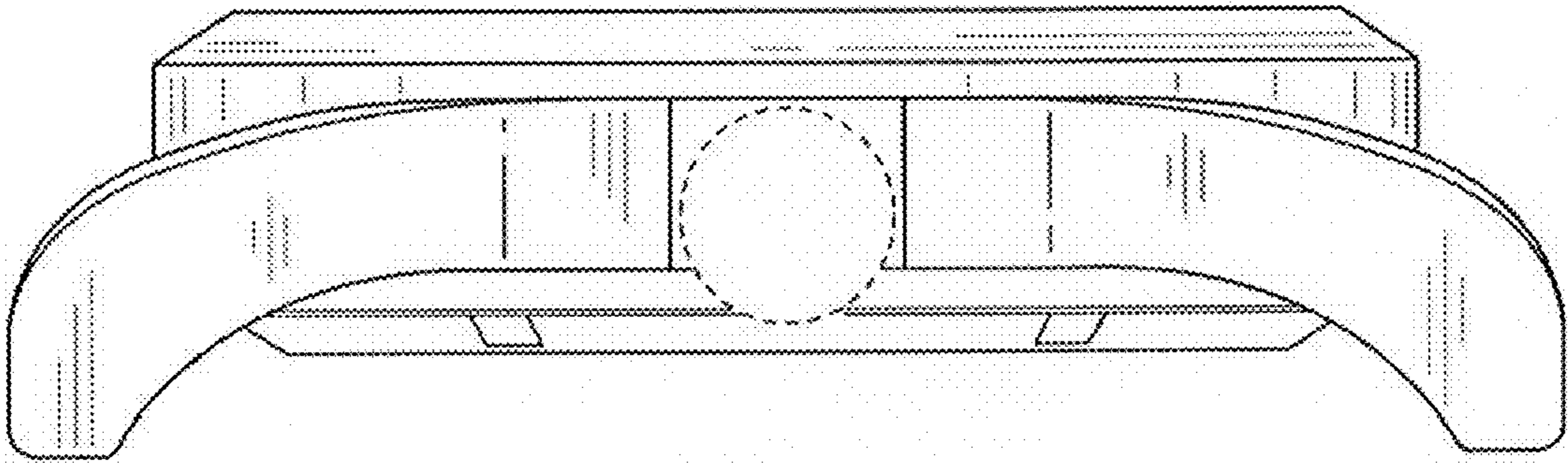


FIG. 4

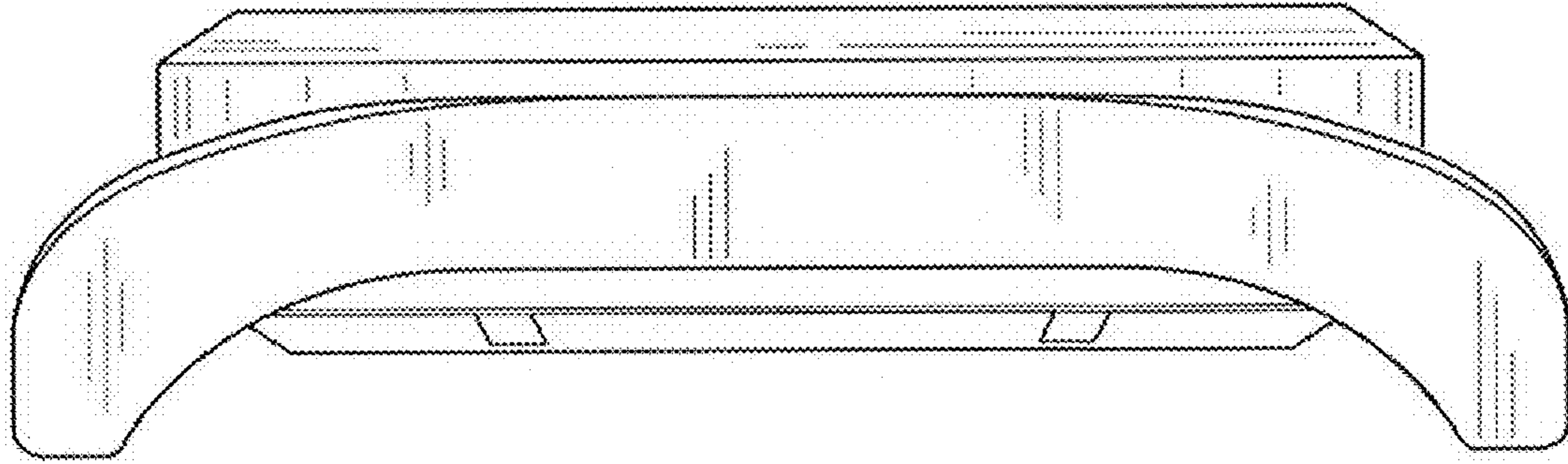


FIG. 5

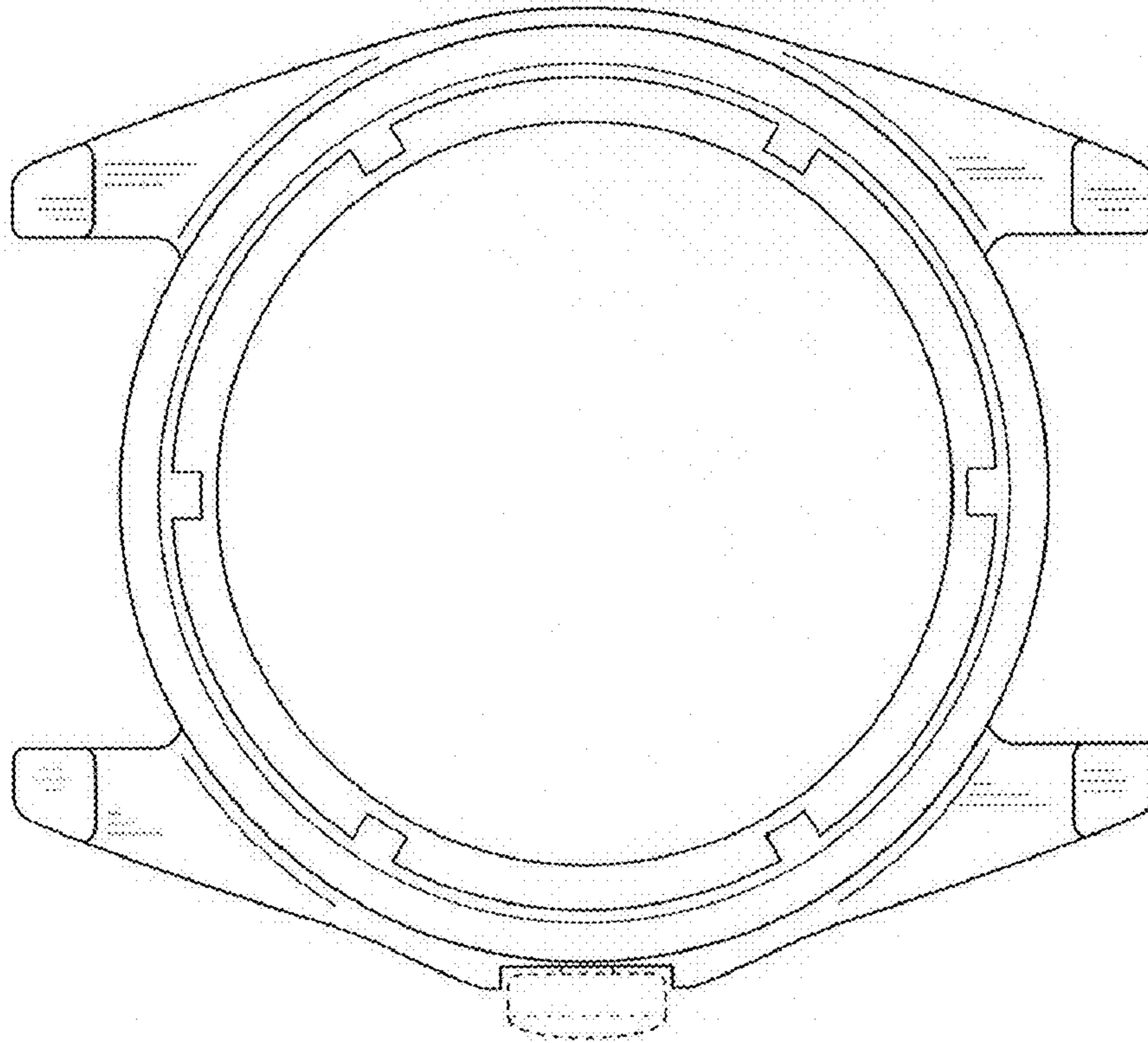


FIG. 7

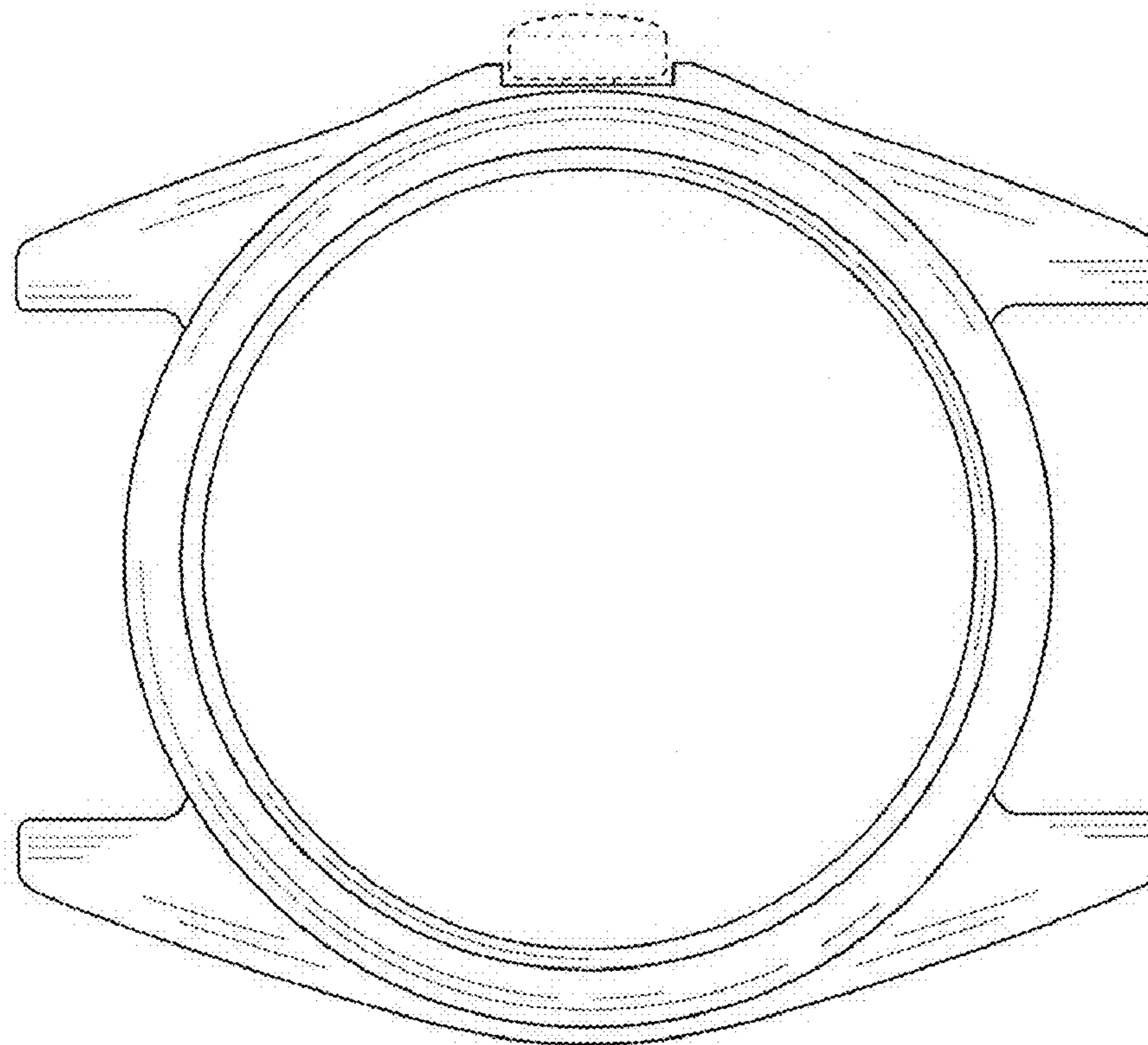


FIG. 6