



US00D645764S

(12) **United States Design Patent**
Mathis et al.

(10) **Patent No.:** **US D645,764 S**
(45) **Date of Patent:** **** Sep. 27, 2011**

(54) **CONTAINER**

(75) Inventors: **Rick Mathis**, Nashville, TN (US); **Matt Stewart**, Nashville, TN (US); **Laura Dunkley**, Murfreesboro, TN (US); **Bill Buckles**, Columbia, TN (US); **David Seibert**, Brentwood, TN (US); **Cossy Pachares**, Franklin, TN (US); **Antonio B. Soria**, Wesley Chapel, FL (US); **Robert Kryger**, Lakeland, FL (US); **Wesley Beck**, Lakeland, FL (US); **Matthew Muller**, Lakeland, FL (US)

(73) Assignee: **Lifeway Christian Resources of the Southern Baptist Covention**, Nashville, TN (US)

(**) Term: **14 Years**

(21) Appl. No.: **29/372,896**

(22) Filed: **Jan. 31, 2011**

(51) **LOC (9) Cl.** **09-03**

(52) **U.S. Cl.** **D9/737; D9/424; D9/429**

(58) **Field of Classification Search** D9/414,
D9/415, 418, 420, 422, 423, 424, 425, 759,
D9/737, 761, 756; D7/602, 538, 629; D3/294;
229/406, 904; 206/495, 776, 806, 459.5,
206/44 R, 45.31, 45.34, 461, 469, 471; 220/287,
220/835, 839, 23.83, 500, 556, 557, 662,
220/669, 675, 23.2, 23.8, 376, 377, 380,
220/521, 657

See application file for complete search history.

(56) **References Cited**

U.S. PATENT DOCUMENTS

1,082,710	A	12/1913	Tangjerd
1,949,285	A	2/1934	Porter
D140,393	S	2/1945	Lindblad
3,261,494	A	7/1966	Walker, Jr.
3,514,029	A	5/1970	Powell
3,743,520	A	7/1973	Croner
3,796,813	A	3/1974	Kurland

D238,329	S	1/1976	Davis	
4,163,065	A	7/1979	Cilek	
4,264,007	A	4/1981	Hunt	
4,324,338	A	4/1982	Beall	
4,416,370	A	11/1983	Beall	
D273,765	S	* 5/1984	Cillario D9/761
D279,865	S	7/1985	McKee	
D291,659	S	9/1987	Powell	
D294,459	S	* 3/1988	Wendel D9/732
D299,085	S	* 12/1988	Martinez D3/264
D303,311	S	9/1989	Vezerian	
D304,514	S	11/1989	Vezerian	
4,923,702	A	5/1990	Powell	
D335,382	S	5/1993	O'Brien	
5,246,106	A	9/1993	Johnson	
5,271,496	A	12/1993	Cain	
D358,028	S	* 5/1995	Abrams et al. D3/264
5,456,351	A	10/1995	Johnson	
D371,678	S	* 7/1996	Borghorst et al. D3/264
5,584,388	A	12/1996	Johnson	
5,746,312	A	5/1998	Johnson	

(Continued)

Primary Examiner — Mark Goodwin

(74) *Attorney, Agent, or Firm* — Edward D. Lanquist, Jr.;
Matthew C. Cox

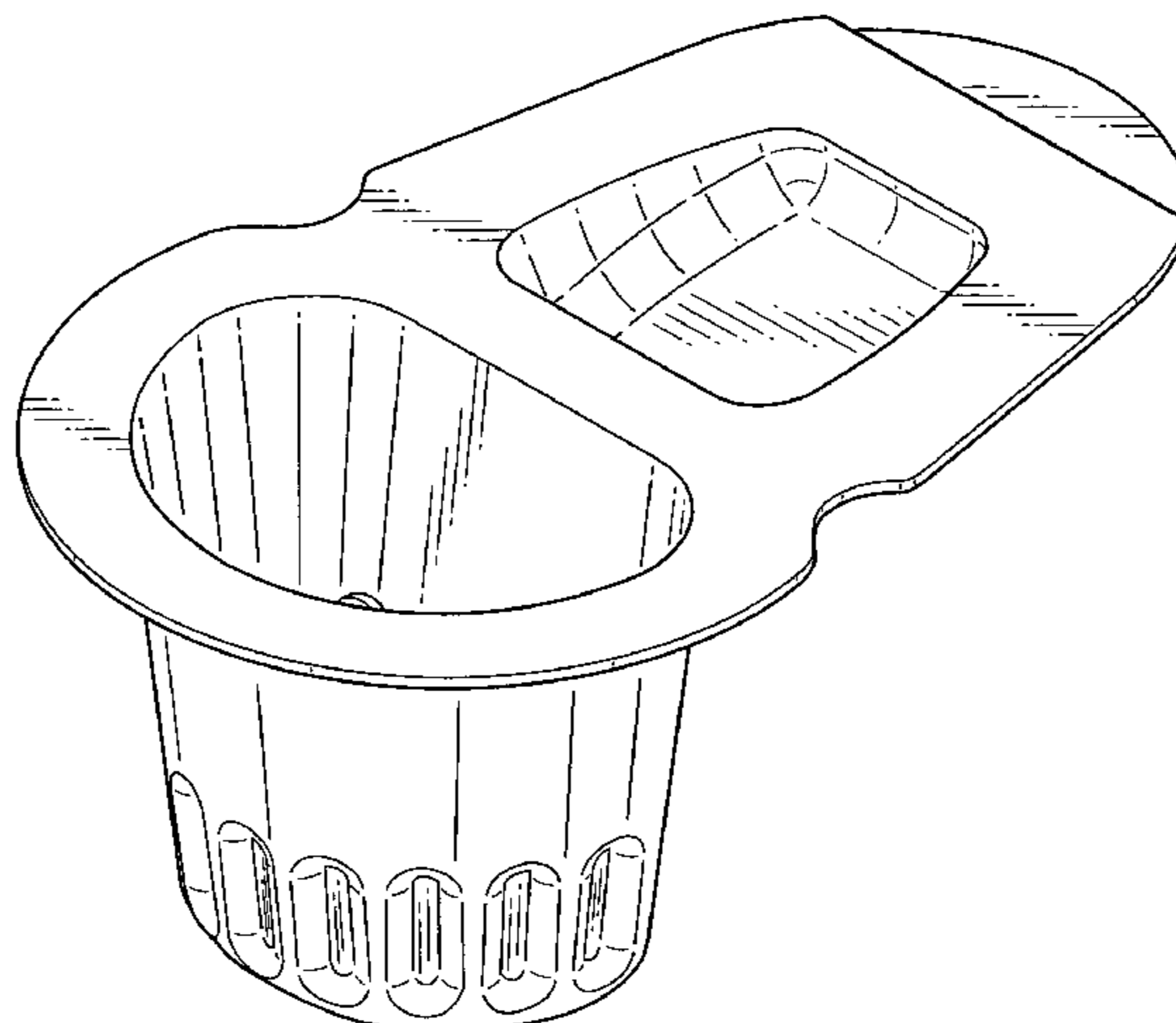
(57) **CLAIM**

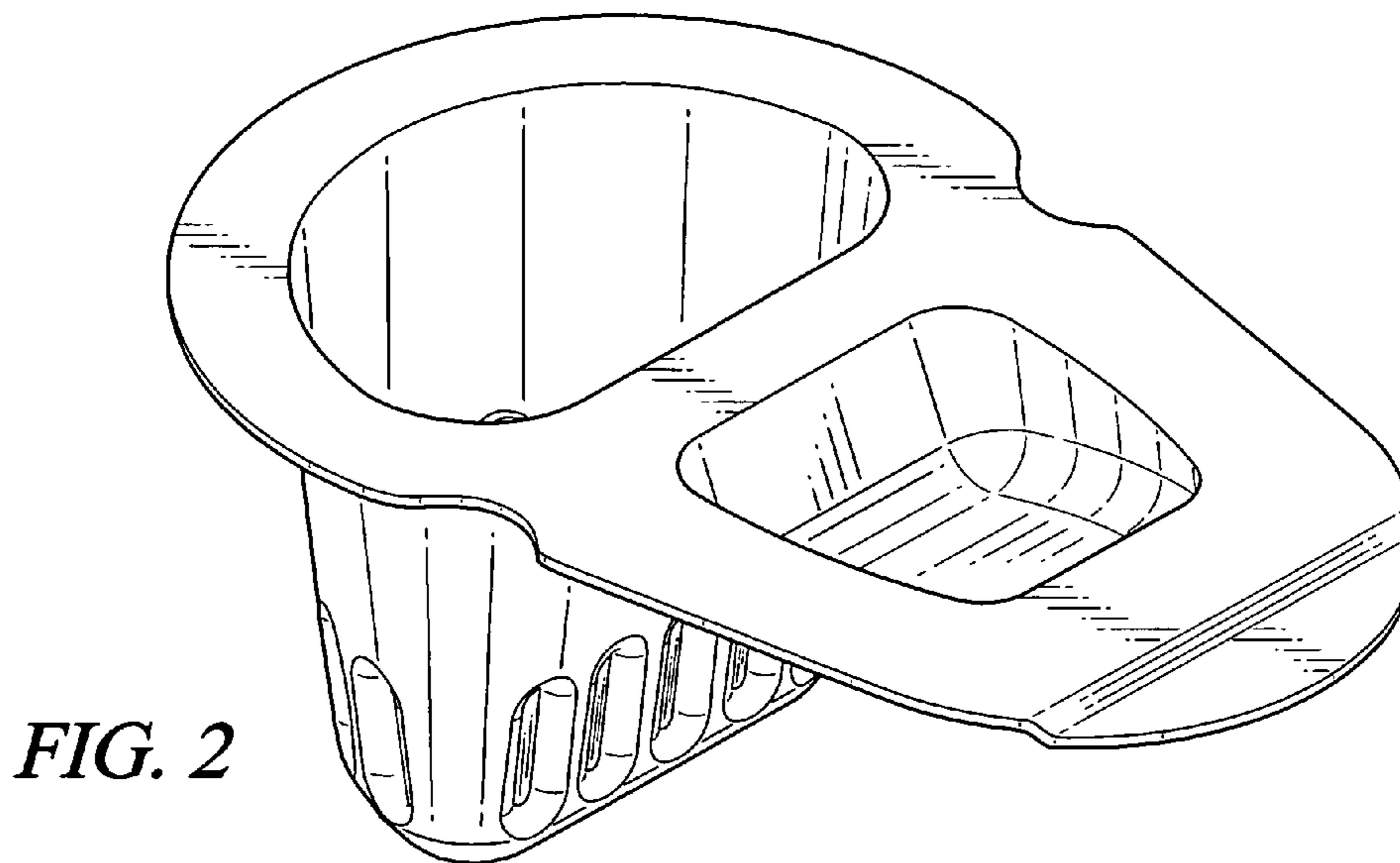
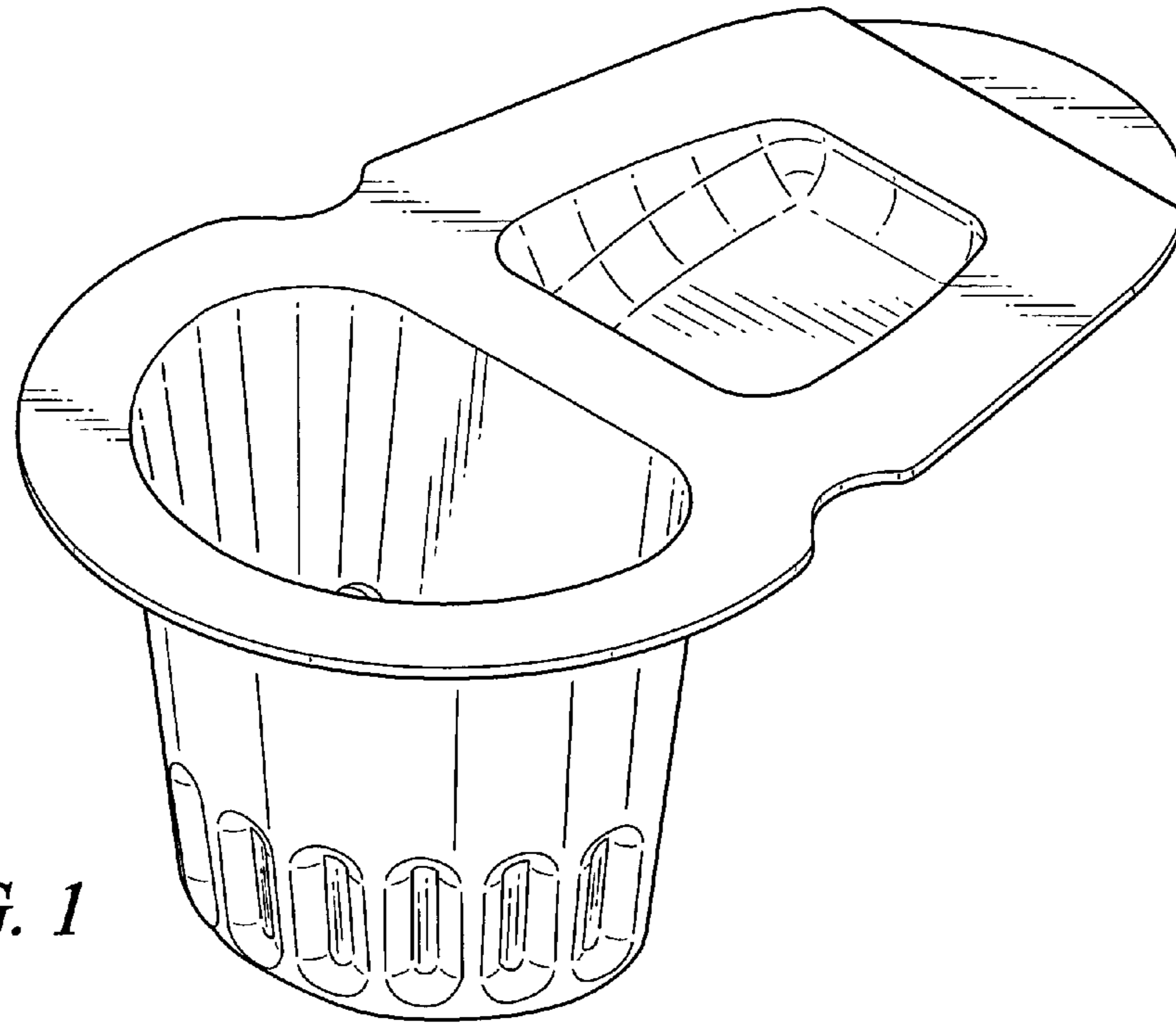
The ornamental design for a container, as shown and described.

DESCRIPTION

FIG. 1 is a top front perspective view of a container showing our new design.
FIG. 2 is a top side perspective view thereof.
FIG. 3 is a top plan view thereof.
FIG. 4 is a bottom plan view thereof.
FIG. 5 is a rear view thereof.
FIG. 6 is a front view thereof.
FIG. 7 is a side view thereof, the opposite side being a mirror image thereof; and,
FIG. 8 is a cross sectional view thereof taken along line 8-8 in FIG. 3.

1 Claim, 4 Drawing Sheets





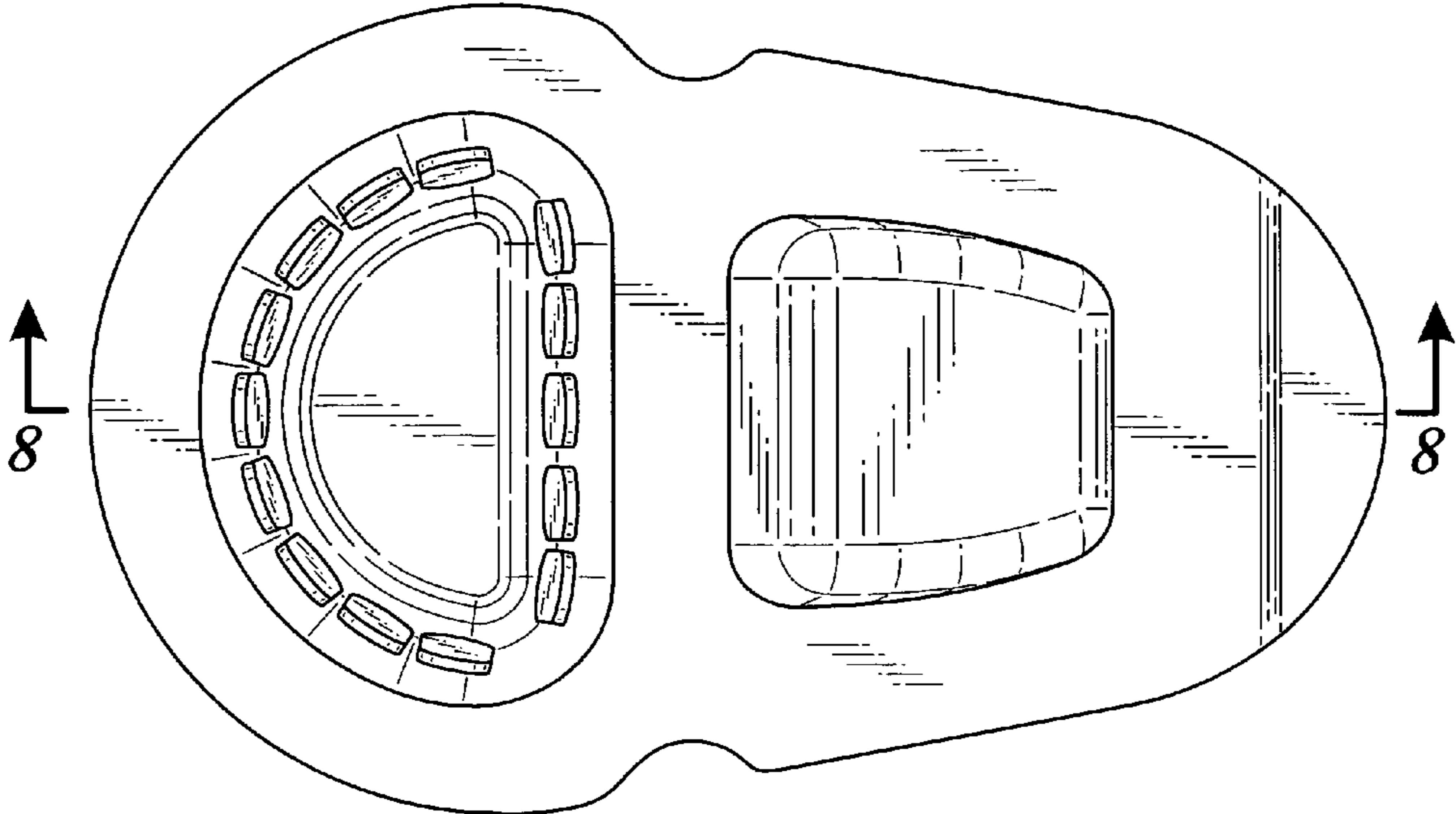


FIG. 3

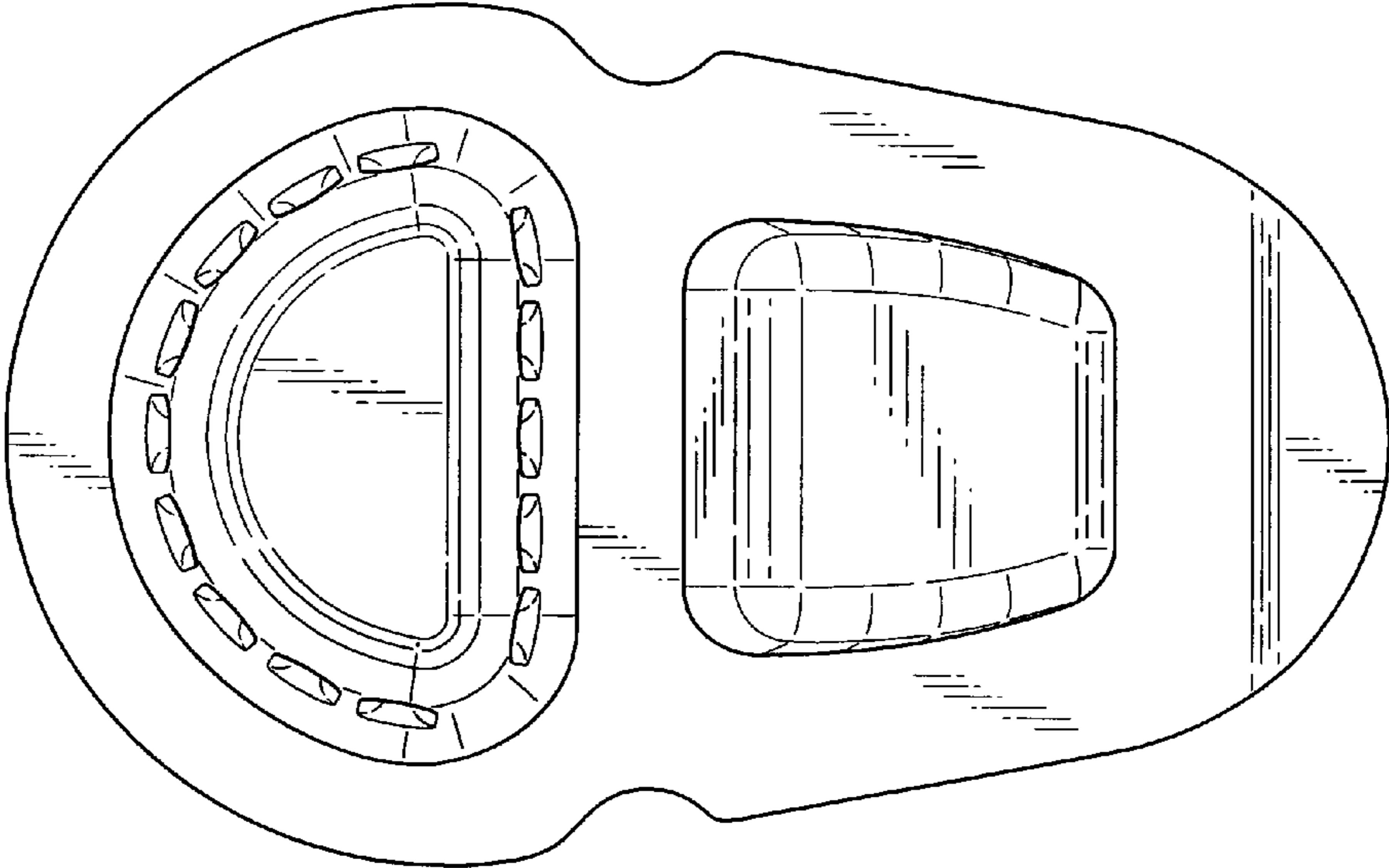


FIG. 4

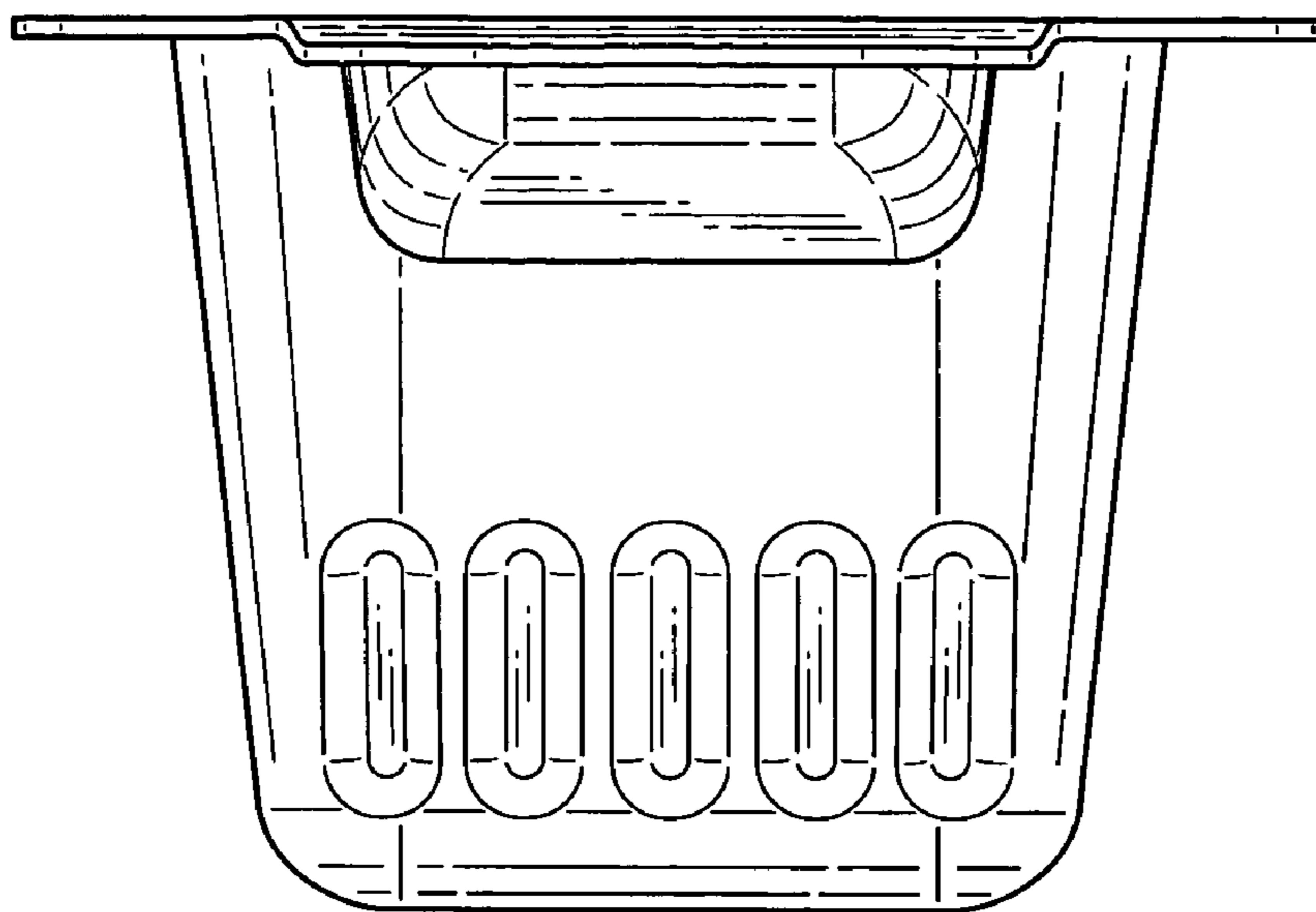


FIG. 5

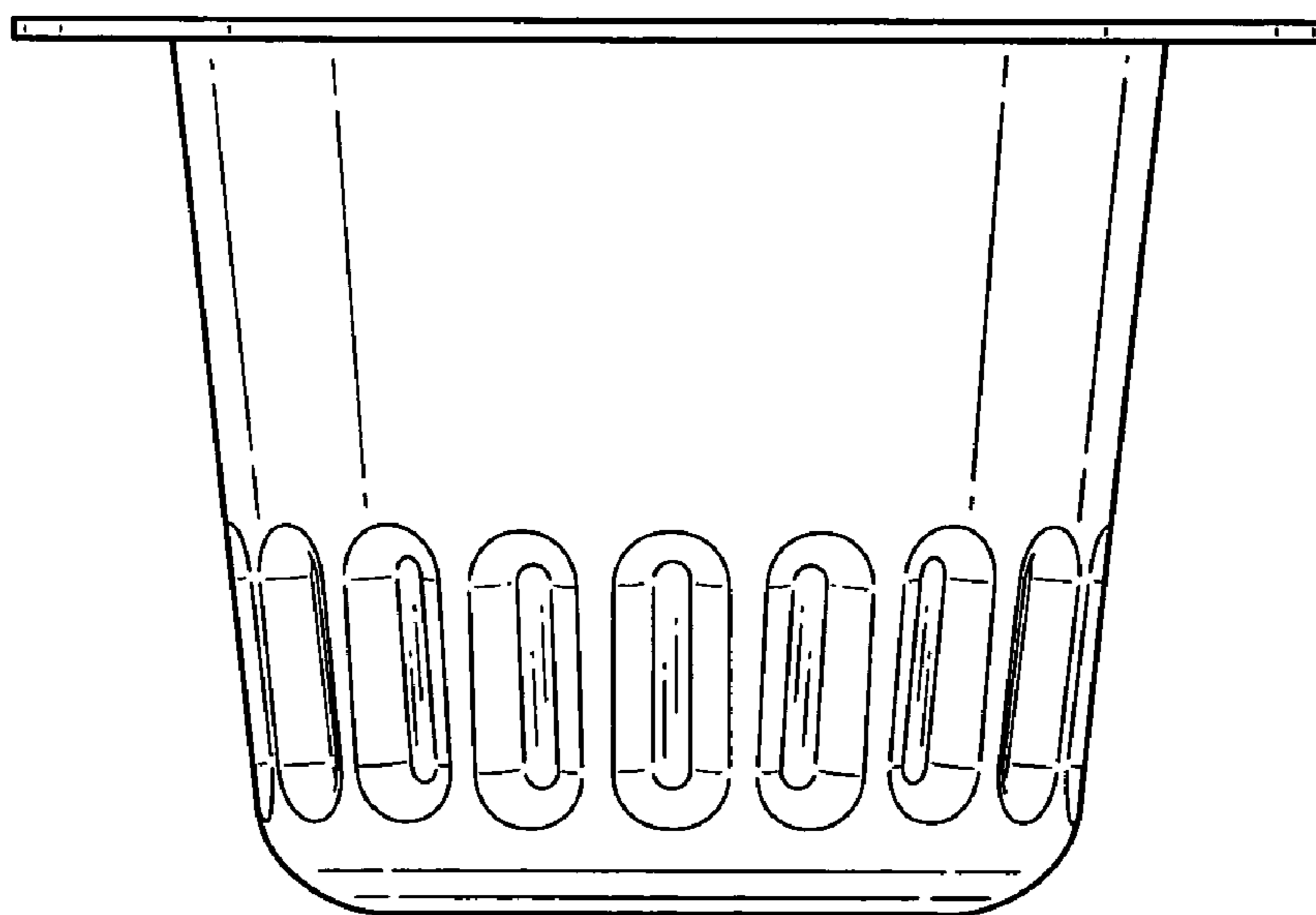


FIG. 6

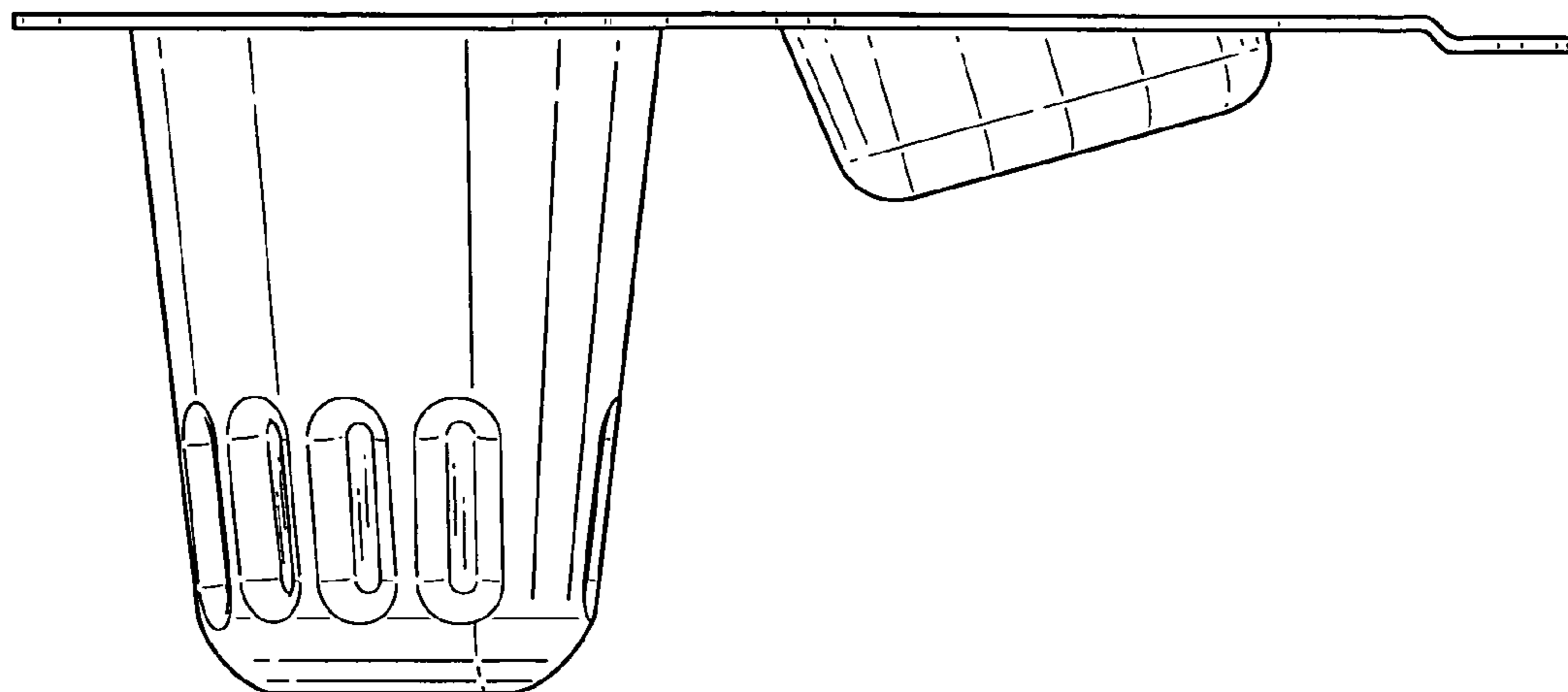


FIG. 7

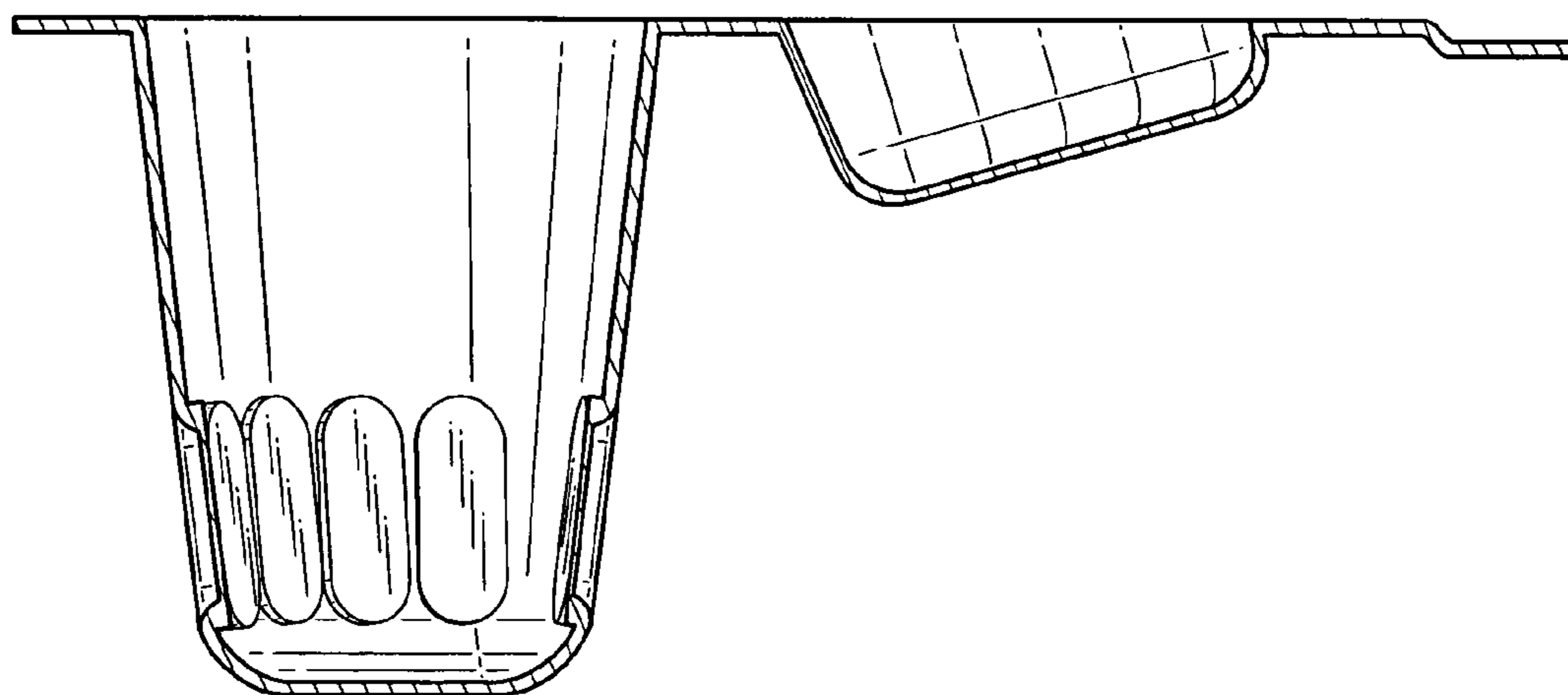


FIG. 8