



US00D645763S

(12) **United States Design Patent**  
**Lee**

(10) **Patent No.:** **US D645,763 S**

(45) **Date of Patent:** **\*\* Sep. 27, 2011**

- (54) **CONTAINER WITH APPLICATOR**
- (75) Inventor: **Peggy Lee**, Brooklyn, NY (US)
- (73) Assignee: **L'Oreal S.A.**, Paris (FR)
- (\*\*) Term: **14 Years**
- (21) Appl. No.: **29/364,715**
- (22) Filed: **Jun. 28, 2010**

D480,633 S \* 10/2003 Miranda ..... D9/504  
 D510,139 S \* 9/2005 Gilad et al. .... D24/186  
 D516,923 S \* 3/2006 Moore ..... D9/682  
 D562,699 S \* 2/2008 Green et al. .... D9/726

\* cited by examiner

*Primary Examiner* — Thomas Johannes

(74) *Attorney, Agent, or Firm* — Oblon, Spivak, McClelland, Maier & Neustadt, L.L.P.

**Related U.S. Application Data**

- (62) Division of application No. 29/351,046, filed on Nov. 30, 2009, now Pat. No. Des. 618,561.
- (51) **LOC (9) Cl.** ..... **09-01**
- (52) **U.S. Cl.** ..... **D9/725**
- (58) **Field of Classification Search** ..... D9/500,  
 D9/502–504, 519, 529, 549, 557, 558, 682,  
 D9/686–691, 694, 723–729, 900; 220/660–662,  
 220/669, 675; 206/219, 220, 221, 216, 217,  
 206/223; 215/379–383; D28/76, 78, 91,  
 D28/91.1; D24/222–224  
 See application file for complete search history.

(57) **CLAIM**

The ornamental design for container with applicator, as shown and described.

**DESCRIPTION**

FIG. 1 is a perspective view of a container with applicator showing my new design;  
 FIG. 2 is a front elevation view thereof;  
 FIG. 3 is a rear elevation view thereof;  
 FIG. 4 is a right side elevation view thereof;  
 FIG. 5 is a left side elevation view thereof;  
 FIG. 6 is a top plan elevation view thereof; and,  
 FIG. 7 is a bottom plan view thereof.

The broken lines shown throughout these figures show unclaimed subject matter only and form no part of the claimed design.

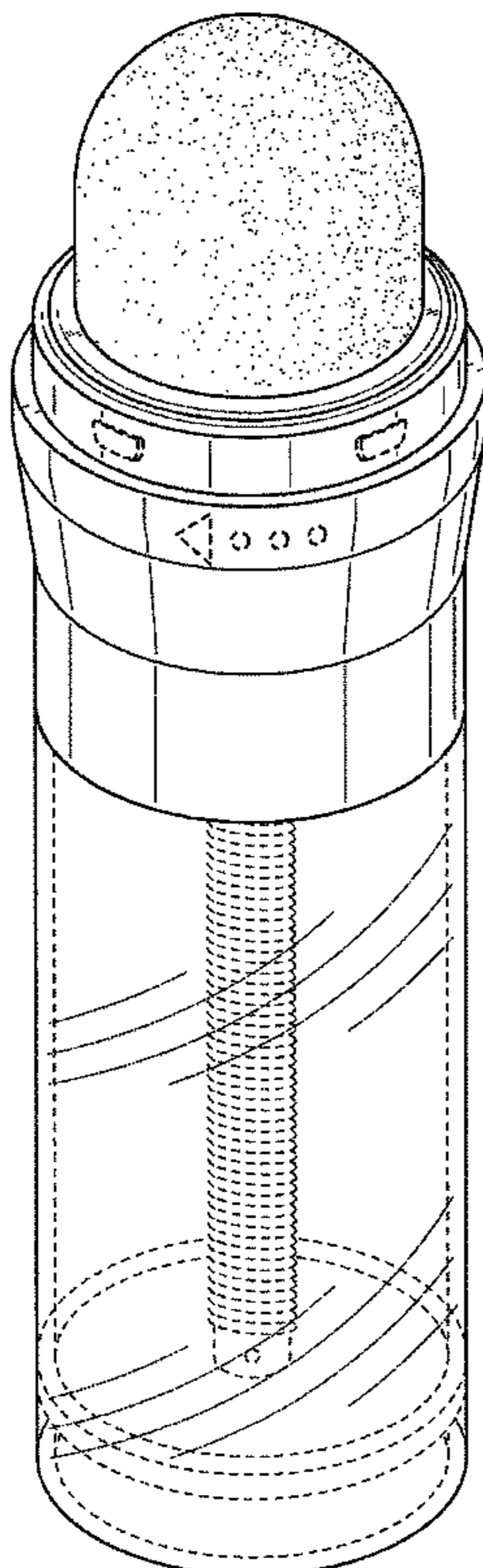
The stipple shading shown on the claimed applicator in the figures depicts a porous surface.

(56) **References Cited**

**U.S. PATENT DOCUMENTS**

- D240,711 S \* 7/1976 Angleman et al ..... D9/726
- D253,394 S \* 11/1979 Berghahn et al. .... D9/726
- D413,799 S \* 9/1999 Schlatter ..... D9/727
- D438,297 S \* 2/2001 Audebourg ..... D23/366

**1 Claim, 6 Drawing Sheets**



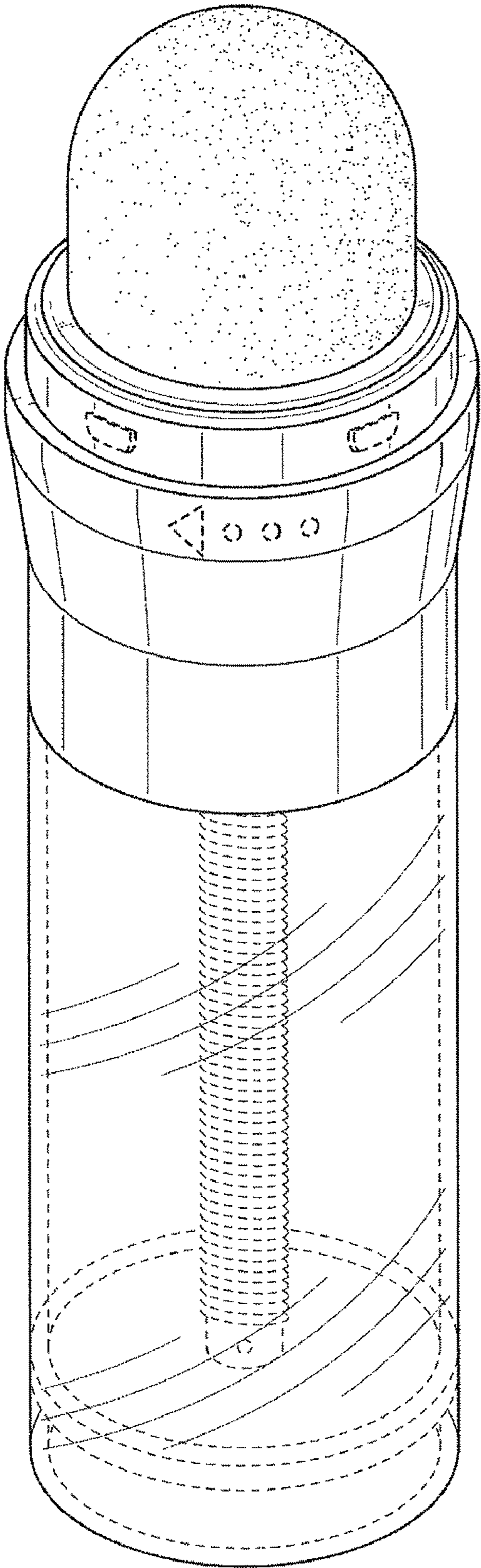


FIG. 1

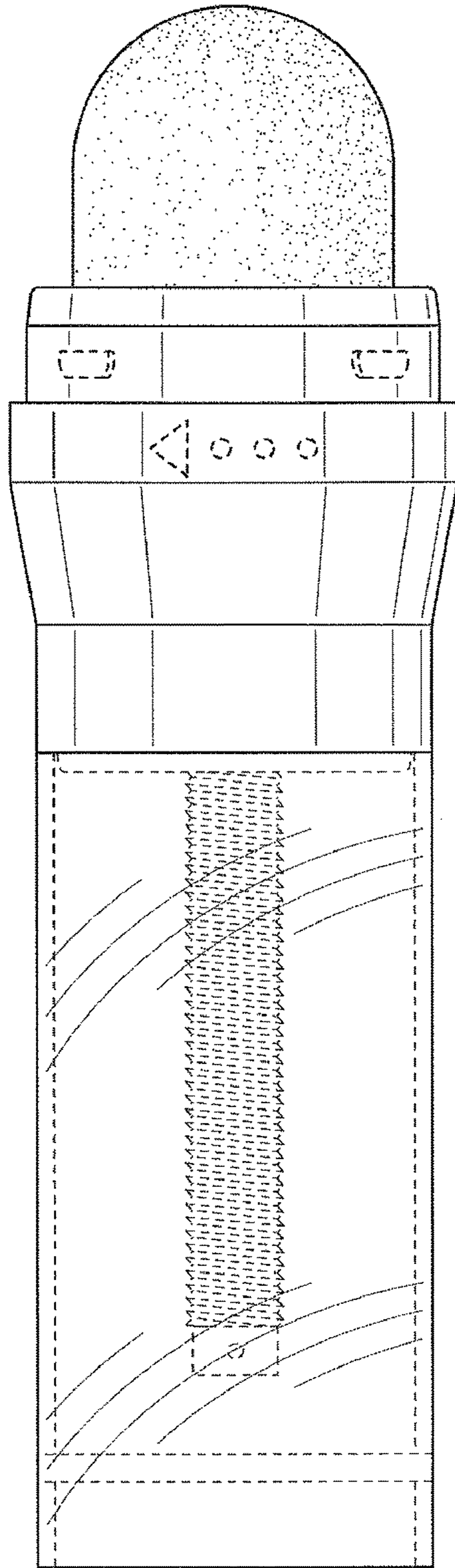


FIG. 2

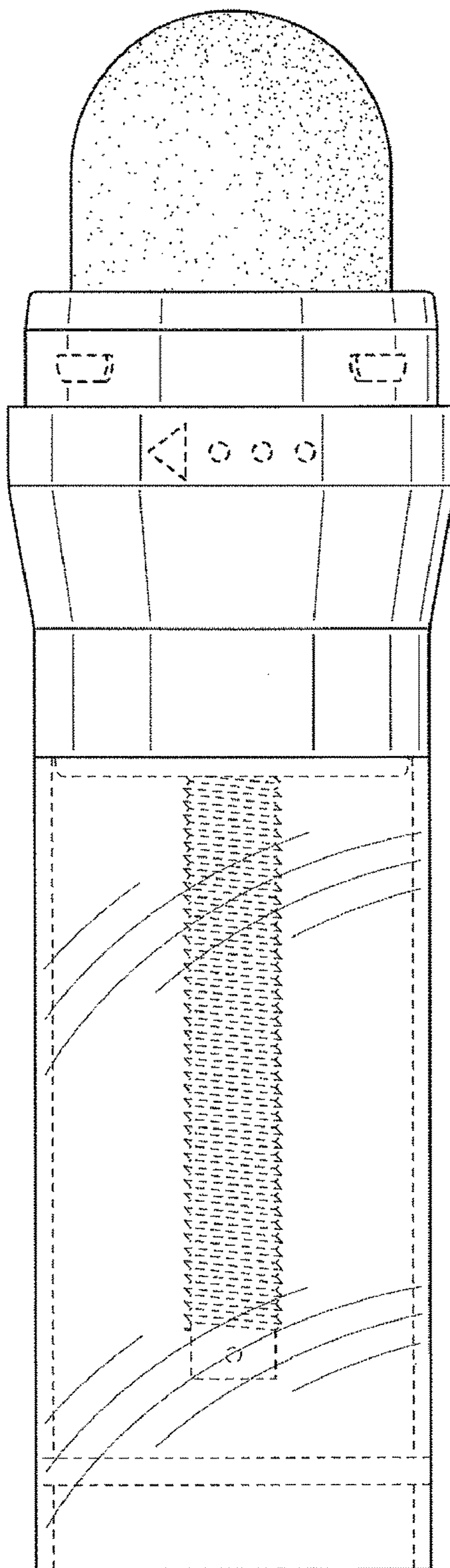


FIG. 3

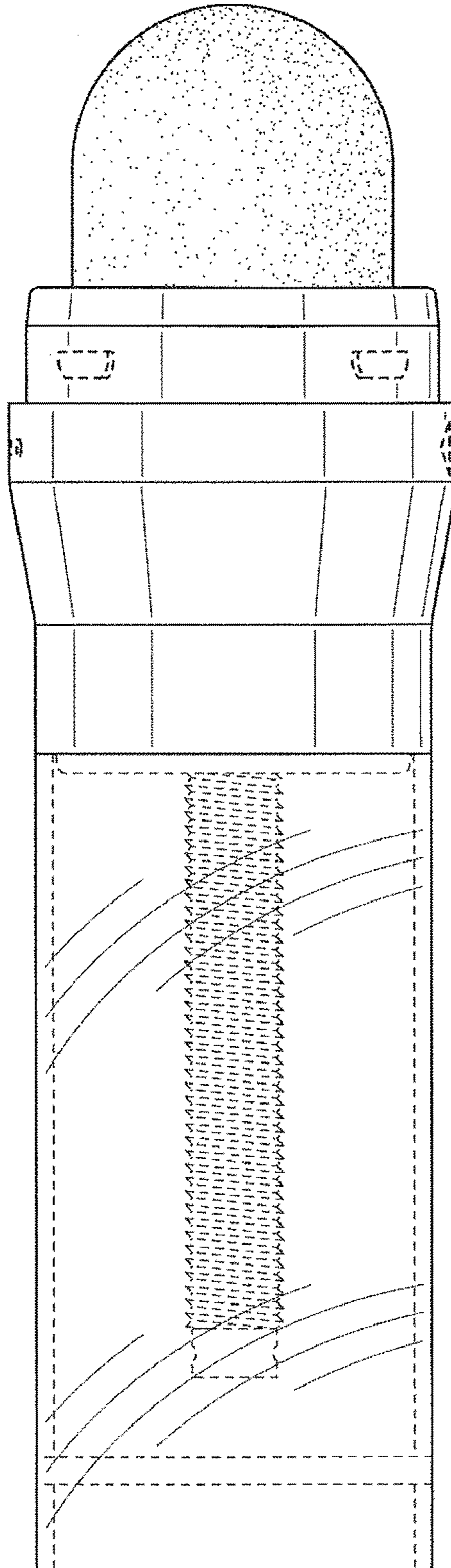


FIG. 4

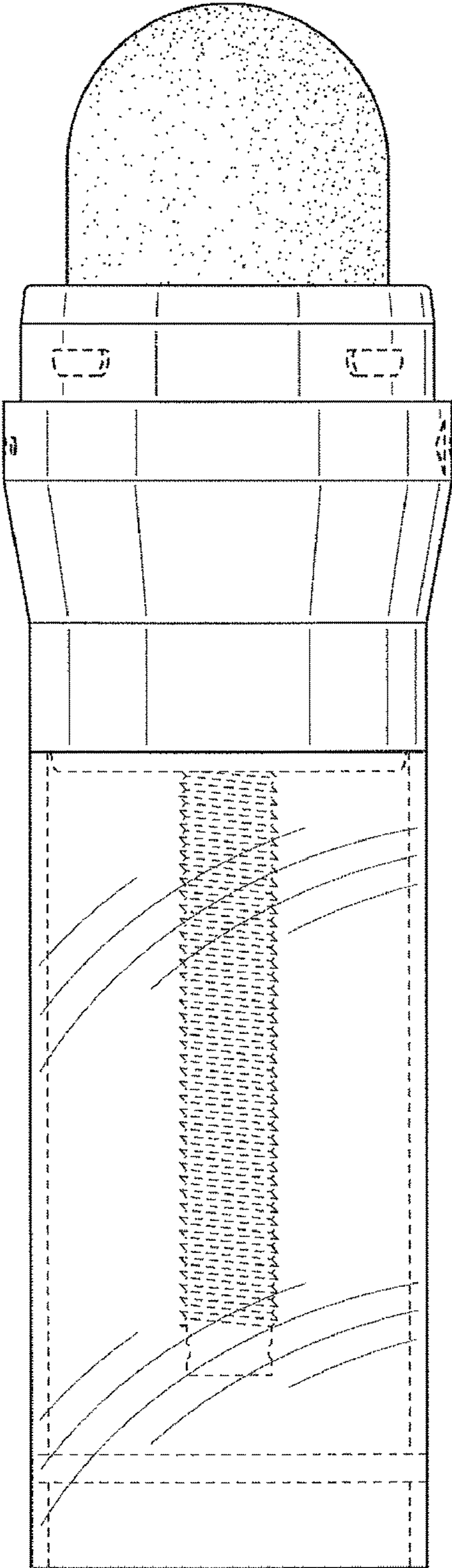


FIG. 5

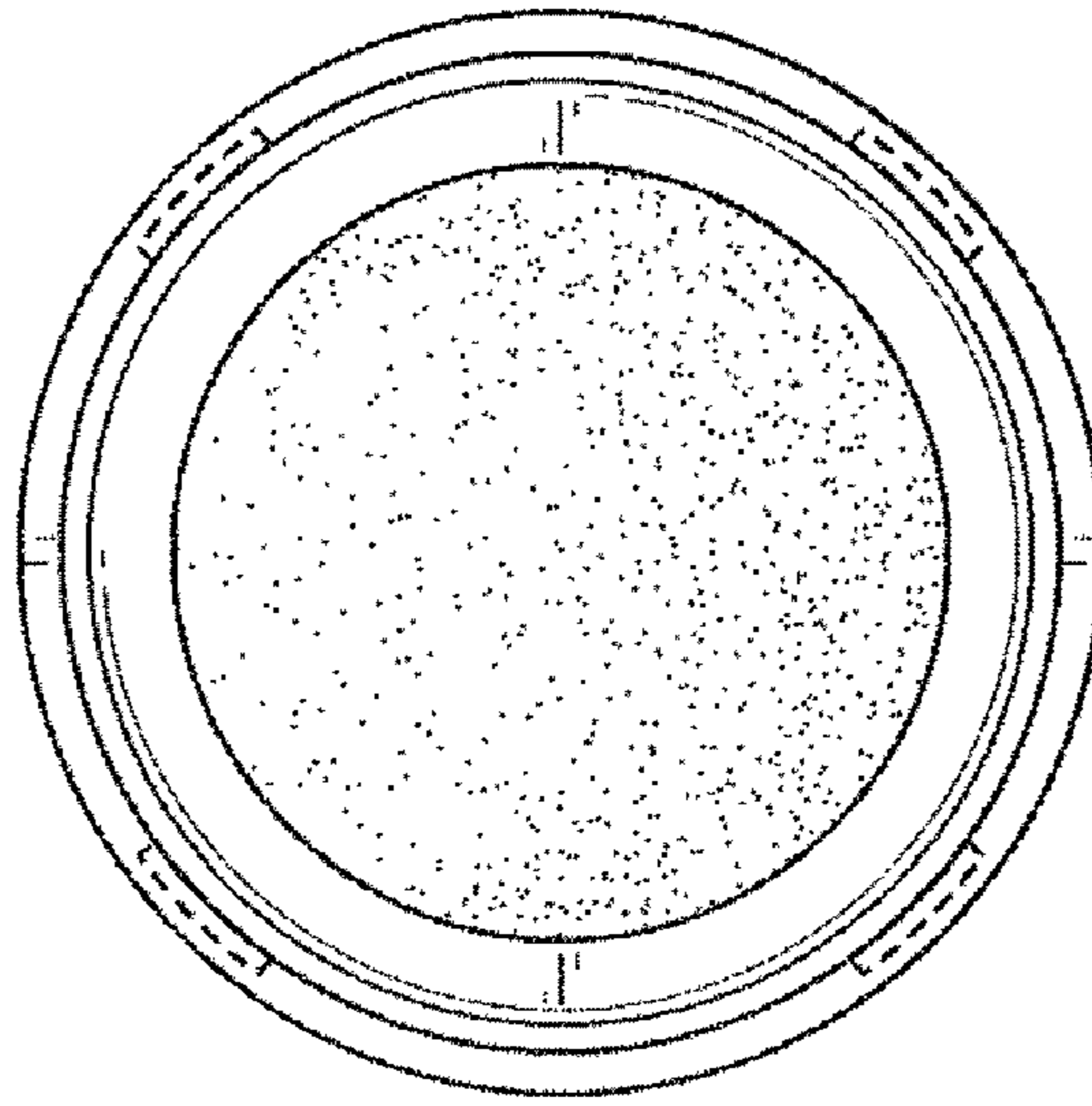


FIG. 6

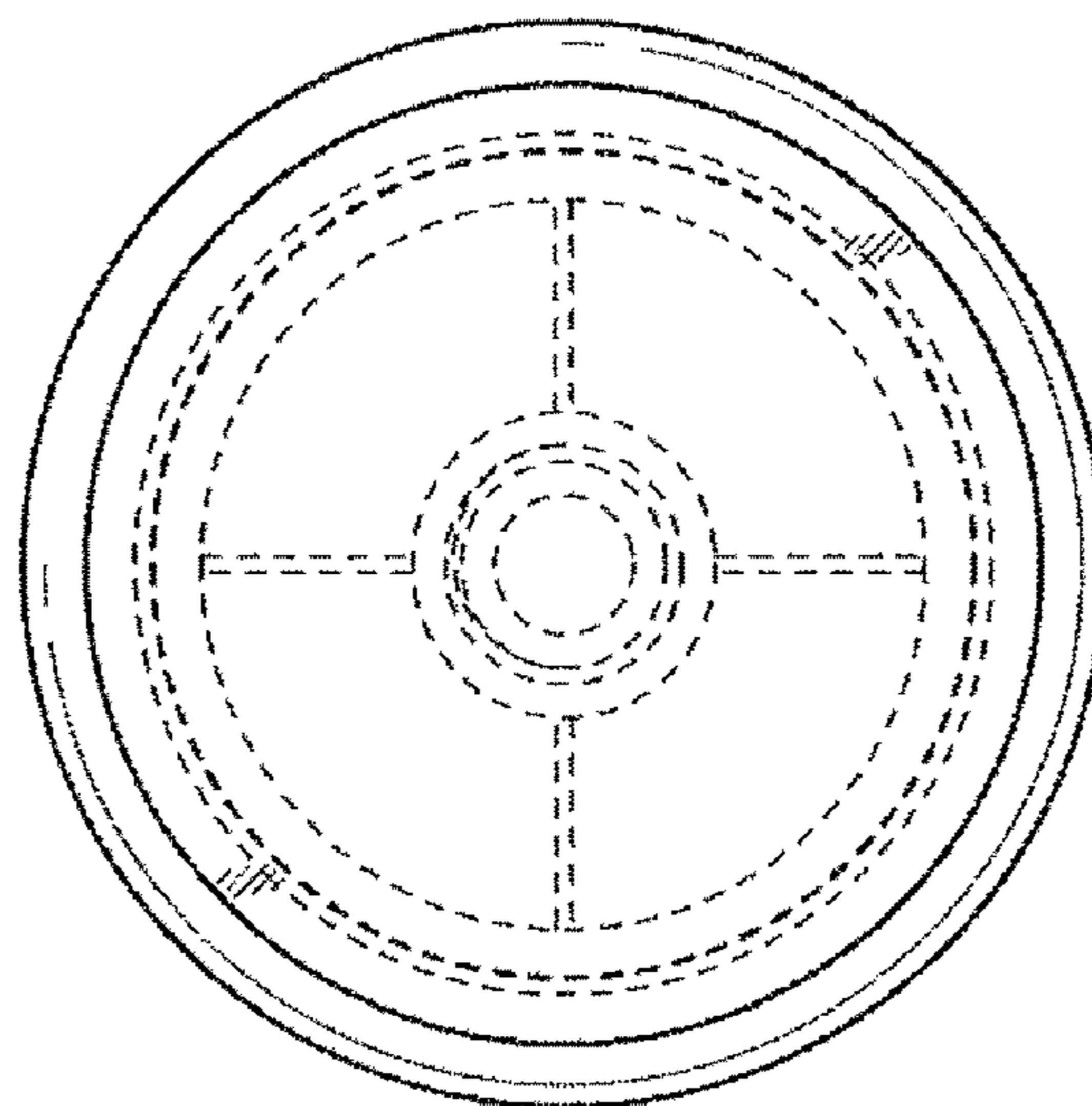


FIG. 7