



US00D645762S

(12) **United States Design Patent**
Hong et al.

(10) **Patent No.:** **US D645,762 S**

(45) **Date of Patent:** **** Sep. 27, 2011**

(54) **FLEXIBLE BEVERAGE CONTAINER**

(75) Inventors: **Sehee Hong**, Los Angeles, CA (US);
Robert Whyte, Los Angeles, CA (US)

(73) Assignee: **Good Time Beverages, LLC**, Downey,
CA (US)

(**) Term: **14 Years**

(21) Appl. No.: **29/391,566**

(22) Filed: **May 10, 2011**

(51) **LOC (9) Cl.** **09-05**

(52) **U.S. Cl.** **D9/710**

(58) **Field of Classification Search** D9/702-714,
D9/434-435, 522, 696; D7/319, 522, 531;
215/385; 206/822; 383/61.1, 80-81, 104,
383/901, 63, 103, 203; 222/92, 107
See application file for complete search history.

(56) **References Cited**

U.S. PATENT DOCUMENTS

D318,611 S *	7/1991	Sherman	D9/710
D410,838 S *	6/1999	Berman	D9/710
D462,897 S *	9/2002	Amundson	D9/710
D463,738 S *	10/2002	Jones	D9/710
D465,726 S *	11/2002	Tet	D9/708
D488,717 S *	4/2004	Scharnweber	D9/710
D537,732 S *	3/2007	Rosen	D9/707

D588,001 S *	3/2009	Sato	D9/434
D597,856 S *	8/2009	Sherrill et al.	D9/708
D628,902 S *	12/2010	Schroeder et al.	D9/710
D639,185 S *	6/2011	Hung	D9/709

* cited by examiner

Primary Examiner — Caron D Veynar

Assistant Examiner — Abraham Bahta

(74) *Attorney, Agent, or Firm* — Michael Fedrick; Loza & Loza, LLP

(57) **CLAIM**

The ornamental design for a flexible beverage container, as shown and described.

DESCRIPTION

FIG. 1 is a perspective view of the flexible beverage container of the present invention;

FIG. 2 is a side view thereof;

FIG. 3 is a rear view thereof;

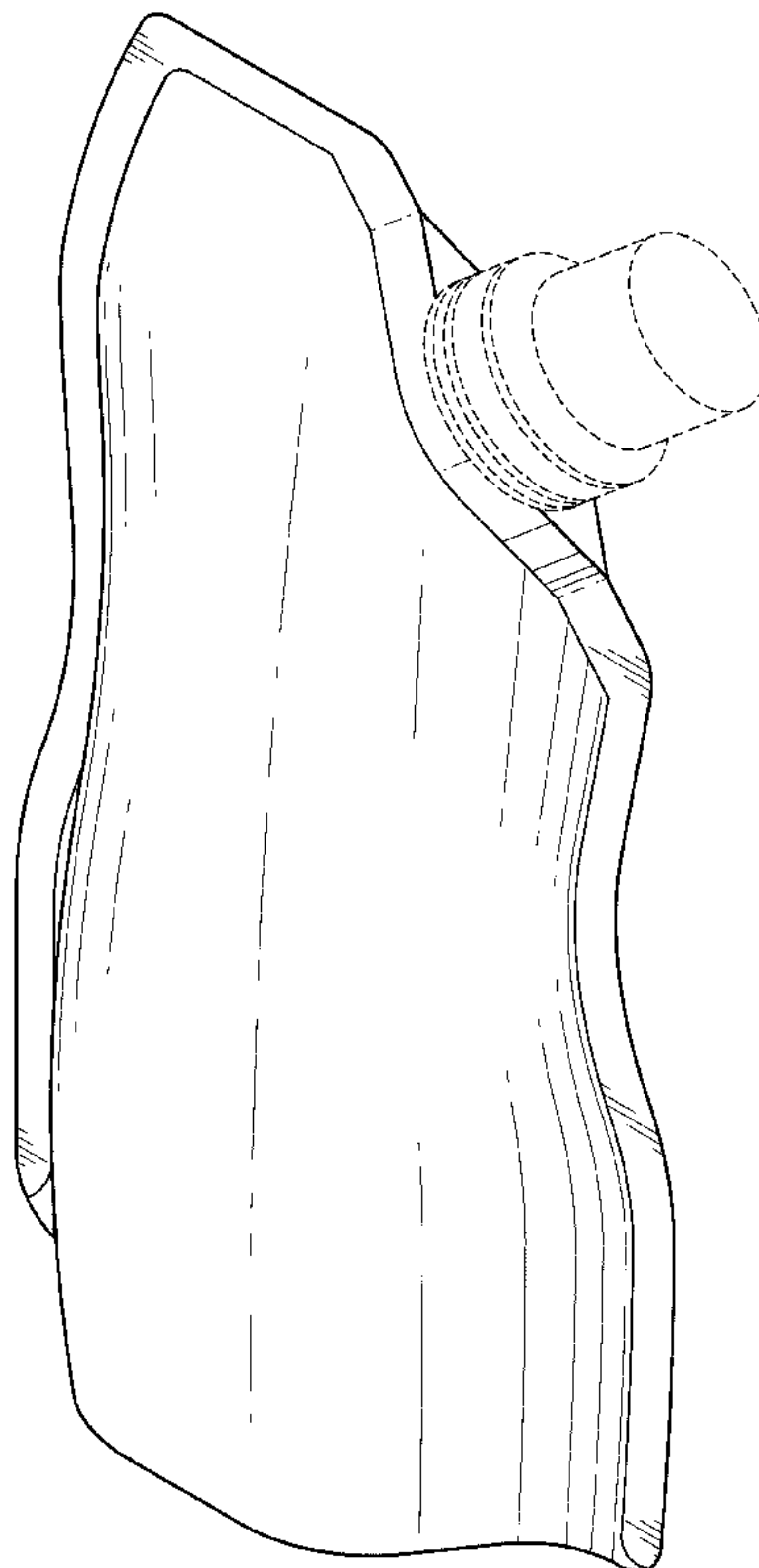
FIG. 4 is a front view thereof;

FIG. 5 is a top view thereof; and,

FIG. 6 is a bottom view thereof.

The broken line showing of portions of the flexible beverage container is included for the purpose of illustrating environmental structure and forms no part of the claimed design.

1 Claim, 6 Drawing Sheets



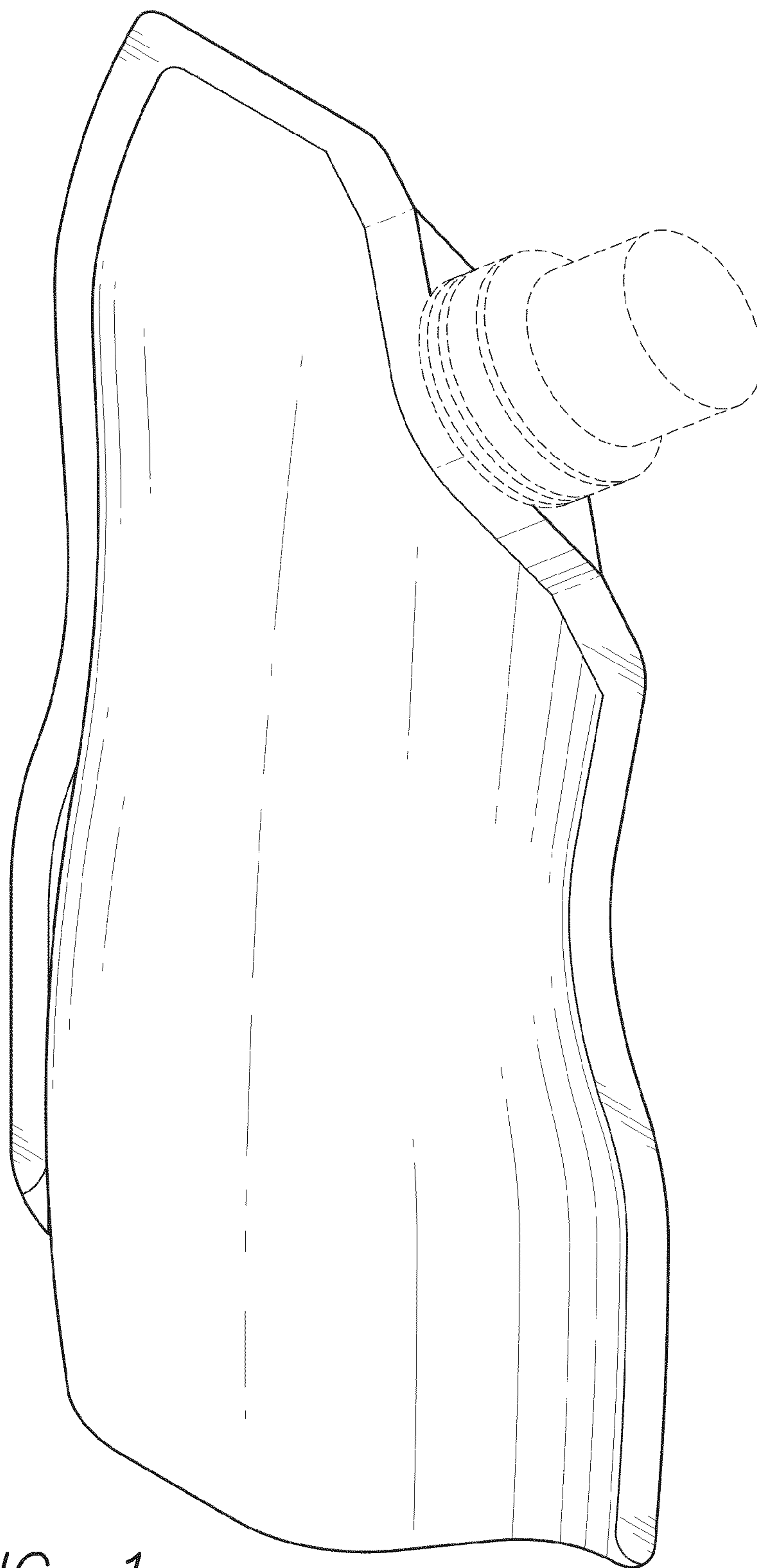


FIG. 1

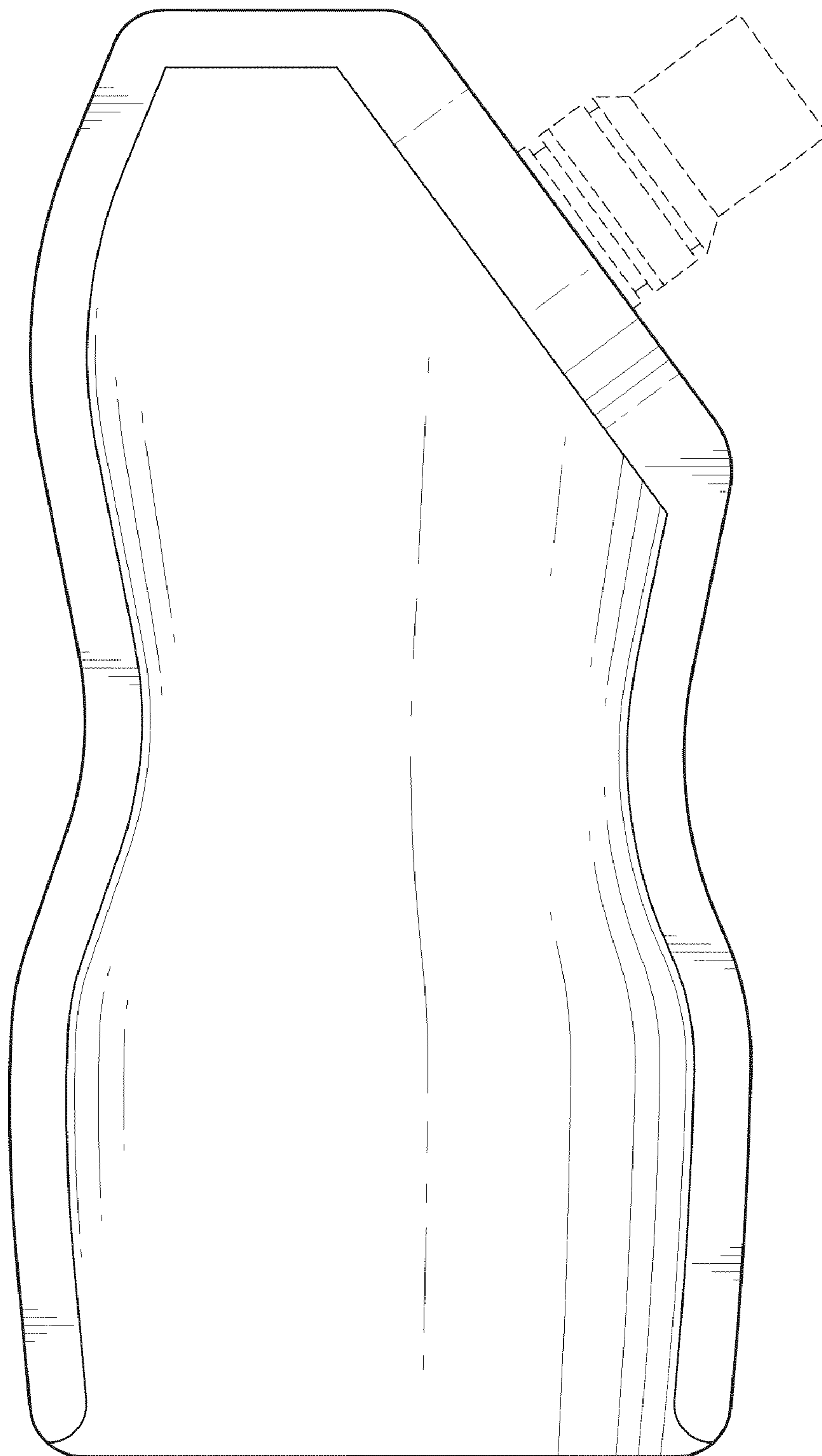


FIG. 2

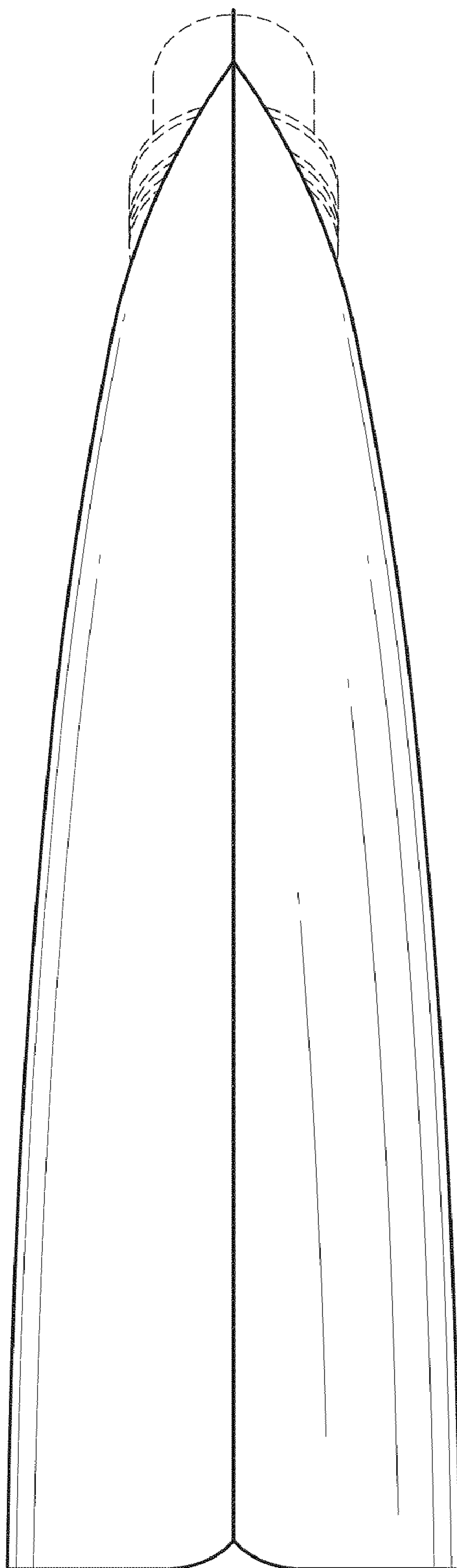


FIG. 3

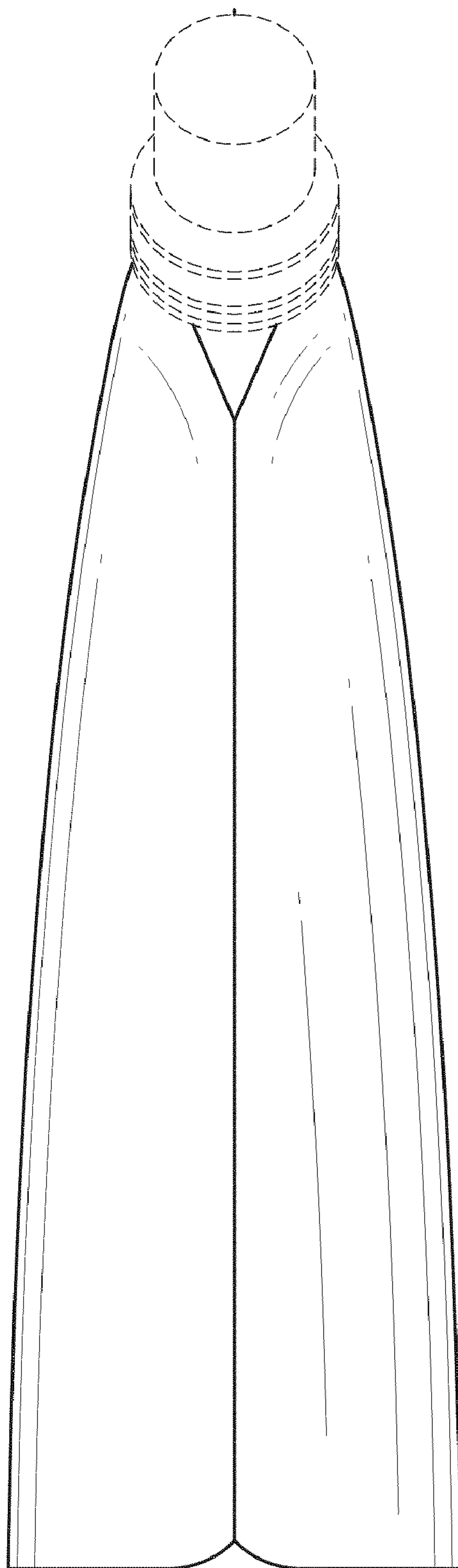


FIG. 4

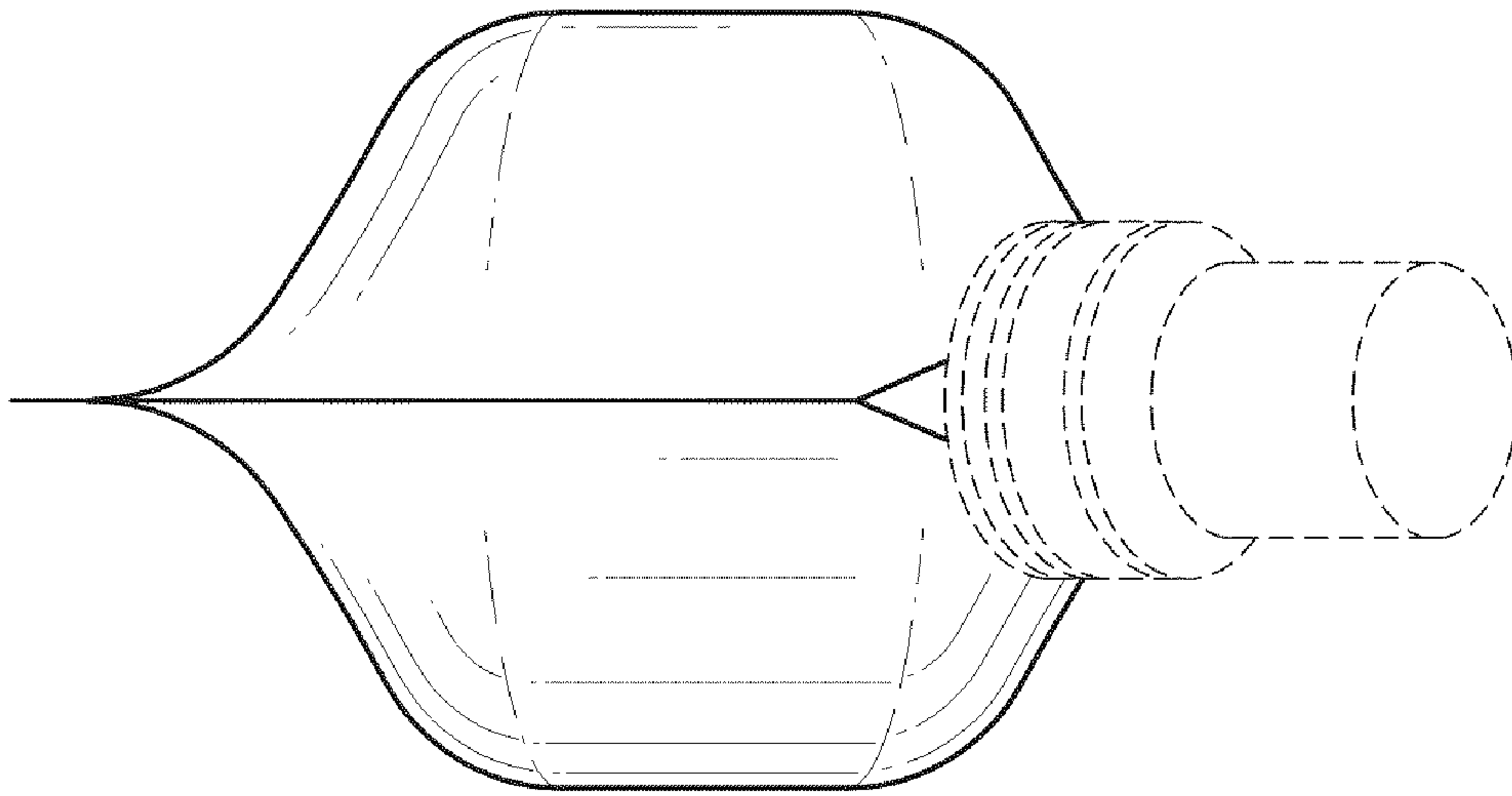


FIG. 5

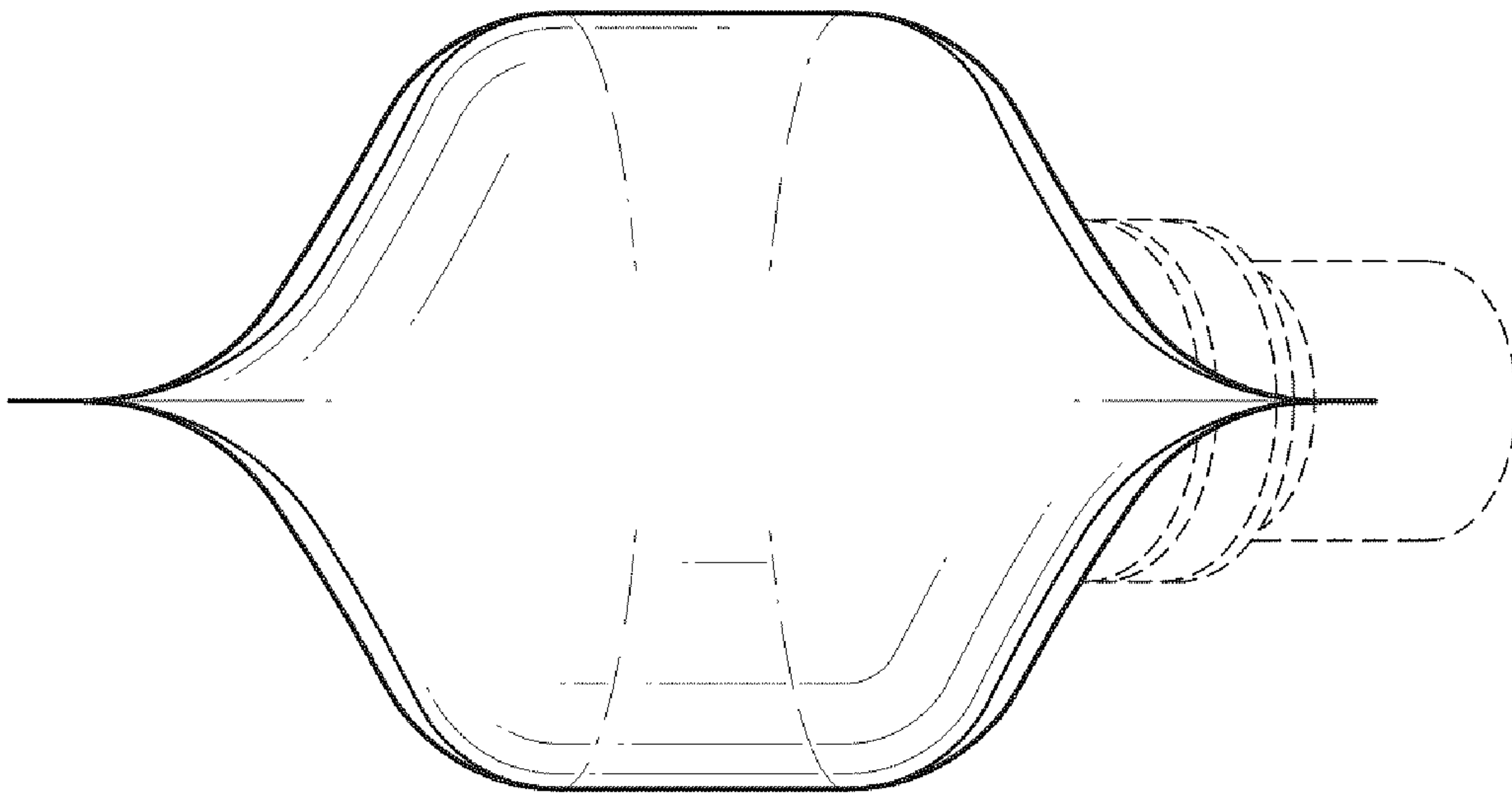


FIG. 6