

US00D645752S

(12) **United States Design Patent**
True et al.

(10) **Patent No.:** **US D645,752 S**
(45) **Date of Patent:** **** Sep. 27, 2011**

(54) **PACKAGE**

(75) Inventors: **B. Todd True**, Maplewood, NJ (US);
David Hu, South Plainfield, NJ (US)

(73) Assignee: **J&J Consumer Companies, Inc.**,
Skillman, NJ (US)

(**) Term: **14 Years**

(21) Appl. No.: **29/336,043**

(22) Filed: **Apr. 27, 2009**

(51) **LOC (9) Cl.** **09-01**

(52) **U.S. Cl.** **D9/516**

(58) **Field of Classification Search** D9/516,

D9/529-530, 537, 539-540, 542-543, 549-551,

D9/558, 563, 564, 571-575, 435, 446-447,

D9/449, 454; 215/306, 382-385; 220/375,

220/810, 660, 669, 675

See application file for complete search history.

(56) **References Cited**

U.S. PATENT DOCUMENTS

- 1,835,252 A * 12/1931 West
- D244,176 S 5/1977 Pardo
- D273,940 S 5/1984 Soos et al.
- D302,792 S * 8/1989 Dinand D9/529
- D304,550 S 11/1989 Demarest
- D305,301 S 1/1990 Gutkowski
- D343,358 S 1/1994 Lay et al.
- D347,389 S 5/1994 Crawford
- D349,058 S 7/1994 Farce
- D352,458 S 11/1994 Gray
- D363,225 S 10/1995 Kudo
- D363,431 S 10/1995 Mansau
- D380,389 S * 7/1997 Crawford D9/542
- D382,803 S 8/1997 Gavin
- D386,085 S 11/1997 Green
- D398,238 S 9/1998 Bertolini et al.
- D408,290 S * 4/1999 Verdura et al. D9/543
- D415,031 S 10/1999 Mahlmann
- D424,944 S 5/2000 Mohary et al.
- D429,645 S 8/2000 Erckelbout et al.

- D447,953 S 9/2001 Brynestad et al.
- D450,252 S * 11/2001 Crawford D9/560
- D461,718 S 8/2002 Brozell
- D481,639 S * 11/2003 Crawford D9/542
- D484,418 S 12/2003 Diete
- D486,741 S * 2/2004 Houghton D9/542
- D486,742 S * 2/2004 Houghton D9/542
- D495,604 S * 9/2004 Lund et al. D9/542
- D496,283 S * 9/2004 Busa, Jr. D9/542
- D497,108 S * 10/2004 Lund et al. D9/542
- D498,680 S * 11/2004 Cleary D9/542
- D506,390 S 6/2005 Bakic
- D510,029 S 9/2005 Marcot

(Continued)

FOREIGN PATENT DOCUMENTS

AT 293908 B * 10/1971

(Continued)

Primary Examiner — Ian Simmons

Assistant Examiner — Dana L Sipos

(74) *Attorney, Agent, or Firm* — Karen G. Horowitz

(57) **CLAIM**

The ornamental design for a package, as shown and described.

DESCRIPTION

FIG. 1 is a top, front, right side perspective view of a package showing our new design;

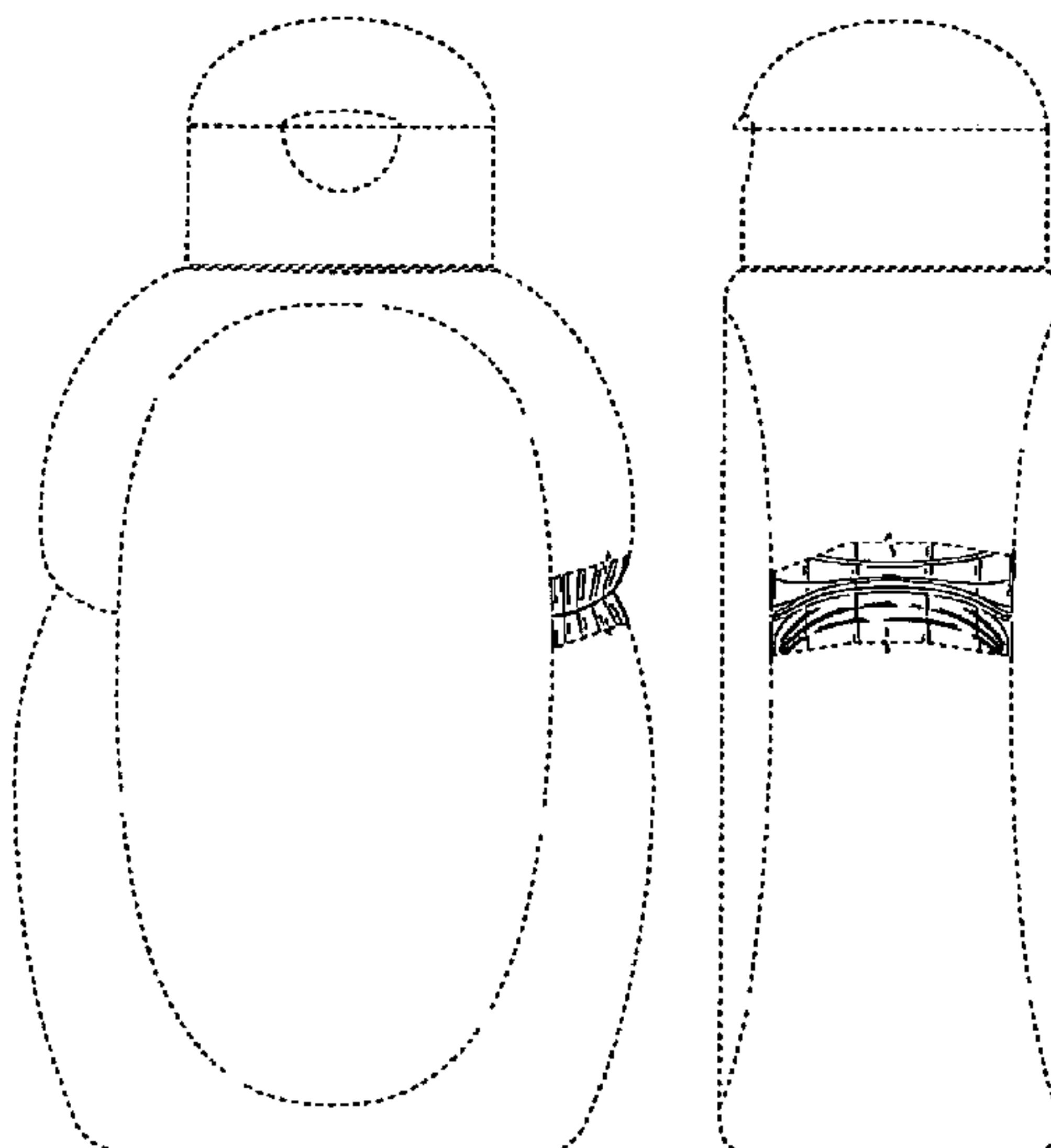
FIG. 2 is a front elevation view thereof, the rear elevation view of the claimed portion of the package being a mirror image;

FIG. 3 is a right side elevation view thereof; and,

FIG. 4 is a bottom, front, right side perspective view thereof.

The broken lines are for the purpose of illustrating environmental package structure on which the claimed package feature may be provided and which forms no part of the claimed design. The broken line with a kinked break is for the purpose of illustrating the boundary of the claimed region and thereby delineating the claimed from unclaimed portions.

1 Claim, 4 Drawing Sheets



US D645,752 S

Page 2

U.S. PATENT DOCUMENTS

D514,945 S * 2/2006 Busa et al. D9/542
D522,372 S * 6/2006 Wang et al. D9/542
D527,640 S 9/2006 Cummings et al.
D533,074 S 12/2006 Mongeon et al.
D537,342 S 2/2007 Smith et al.
D537,355 S * 2/2007 Brauner et al. D9/563
D541,661 S * 5/2007 Wang et al. D9/542
D543,115 S 5/2007 Flurer et al.
D550,092 S * 9/2007 Wang et al. D9/542
D551,084 S * 9/2007 Kottbauer D9/563
D558,576 S 1/2008 Zigmans
D566,566 S * 4/2008 Abadinsky D9/542
D574,246 S 8/2008 Russell et al.
D576,038 S 9/2008 Mazurkiewicz et al.
D576,489 S 9/2008 Mazurkiewicz et al.
D603,704 S * 11/2009 Jost et al. D9/449
D605,526 S * 12/2009 Dorn D9/600
D609,576 S * 2/2010 Kuzma et al. D9/570

2002/0104820 A1* 8/2002 Hong et al.
2003/0015491 A1* 1/2003 Melrose et al.
2007/0199916 A1* 8/2007 Denner et al.

FOREIGN PATENT DOCUMENTS

DE 1432147 * 2/1969
GB 2331069 * 5/1999
JP D1077555 7/2000
JP D1209862 6/2004
KR 300487471 4/2008
RU 000239637-0002 * 10/2004
TW D215396 11/1981
TW D118639 5/1995
WO 0189938 * 11/2001
WO 2005067419 * 7/2005
WO 2007025251 * 3/2007
WO 2007050330 * 5/2007

* cited by examiner

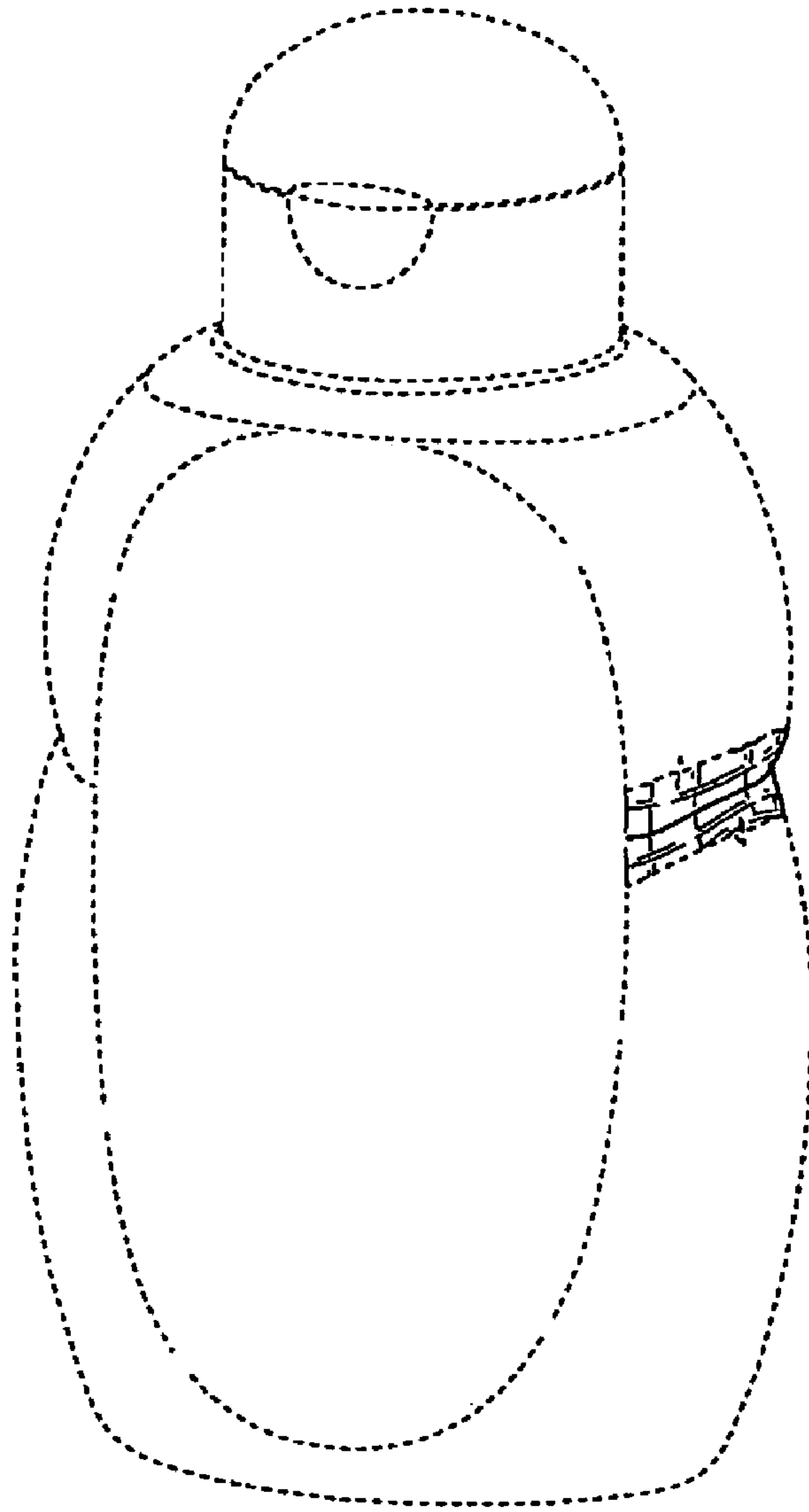


Fig. 1

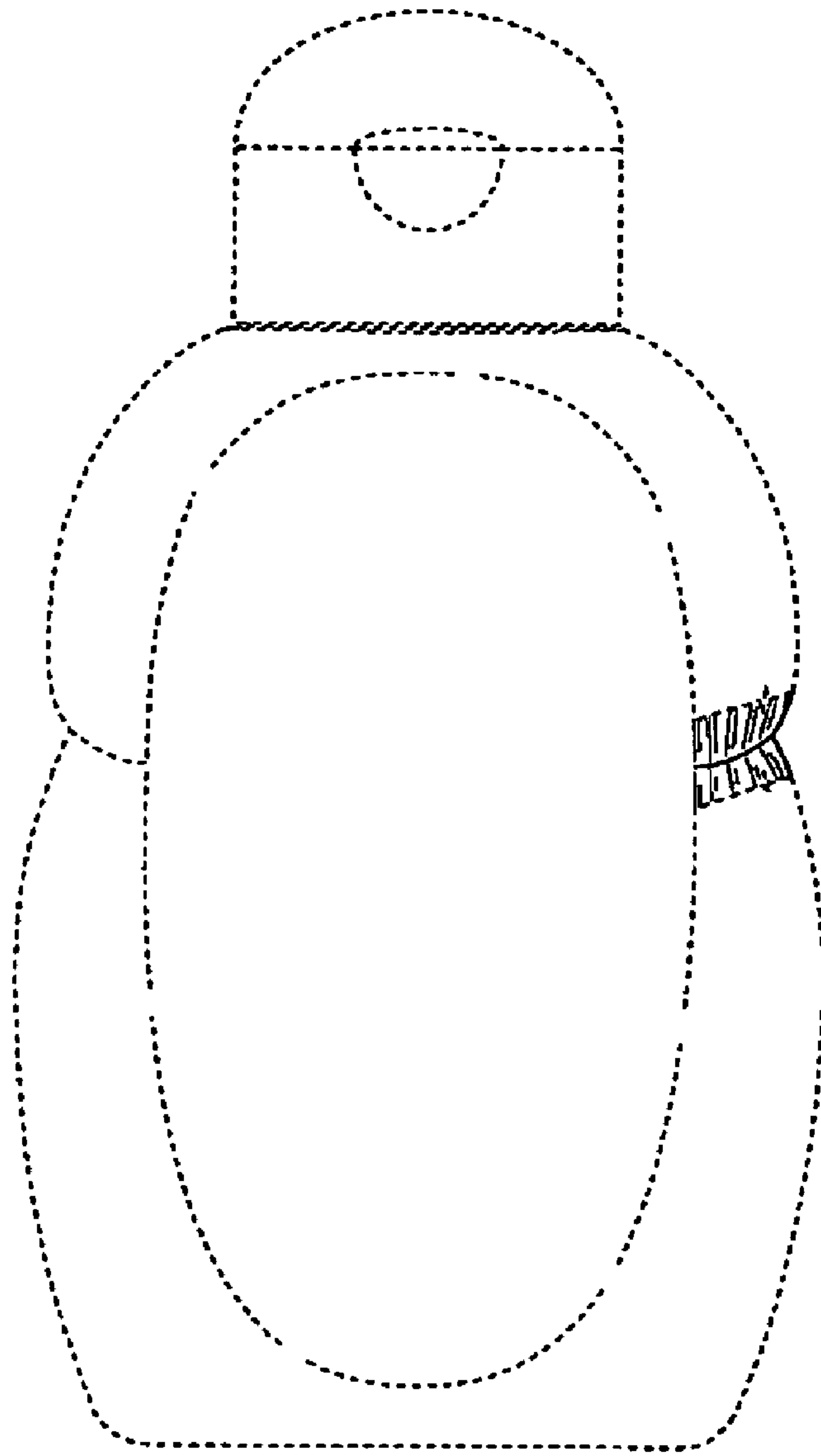


Fig. 2

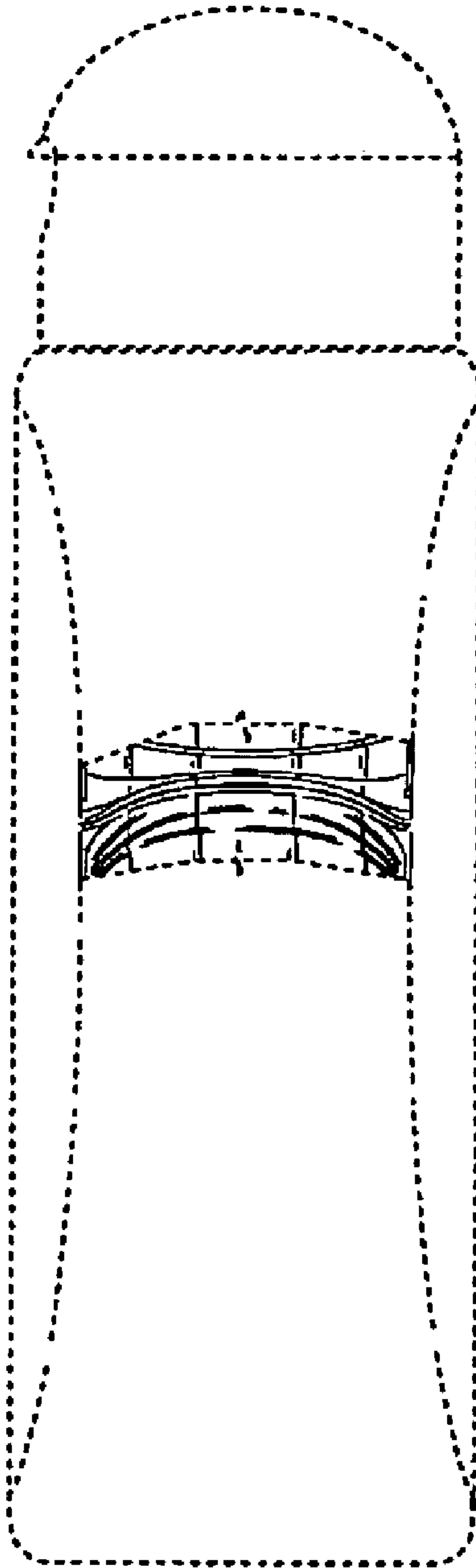


Fig. 3

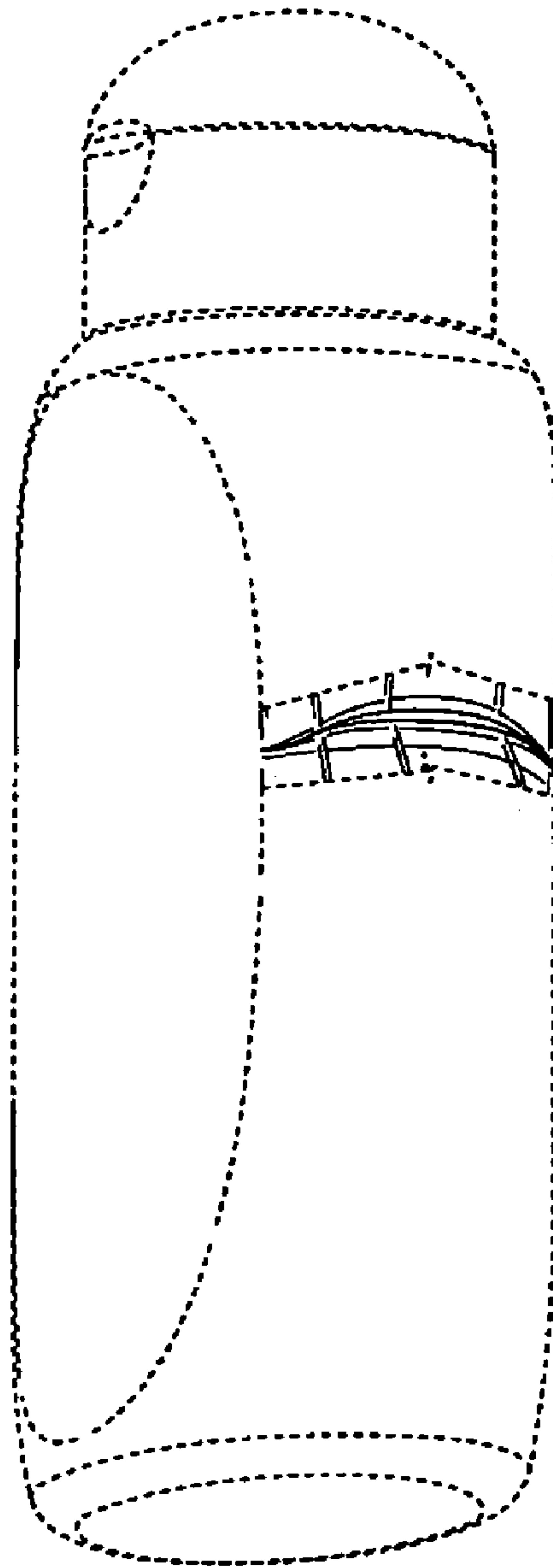


Fig. 4