



US00D645750S

(12) **United States Design Patent**
Lee

(10) **Patent No.:** **US D645,750 S**
(45) **Date of Patent:** **** Sep. 27, 2011**

(54) **COSMETIC CONTAINER**

(75) Inventor: **Hyunju Lee**, Seoul (KR)

(73) Assignee: **Amorepacific Corporation**, Seoul (KR)

(**) Term: **14 Years**

(21) Appl. No.: **29/380,028**

(22) Filed: **Nov. 29, 2010**

(30) **Foreign Application Priority Data**

May 31, 2010 (KR) 30-2010-0023788

(51) **LOC (9) Cl.** **09-01**

(52) **U.S. Cl.** **D9/504; D9/445; D9/454**

(58) **Field of Classification Search** D9/500,
D9/502-505, 516, 529, 549, 551-552, 558,
D9/574-575, 454, 447, 449; 215/379, 382-384;
220/660, 662, 669, 675
See application file for complete search history.

(56) **References Cited**

U.S. PATENT DOCUMENTS

D269,316 S *	6/1983	Conti	D7/591
D285,657 S *	9/1986	Poore	D9/734
D324,997 S *	3/1992	Jones	D9/529
D339,986 S *	10/1993	Garouste et al.	D9/529
D484,644 S *	12/2003	Noh	D28/76
D485,017 S *	1/2004	Noh	D28/76
D503,829 S *	4/2005	Tanii et al.	D28/76

D503,830 S *	4/2005	Tanii et al.	D28/76
D522,695 S *	6/2006	Desdoigts	D28/82
D561,943 S *	2/2008	Desdoigts	D28/82
D572,592 S *	7/2008	Chang	D9/504
D595,578 S *	7/2009	Del Tedesco Zamberlan	D9/504
		et al.	D9/504
D630,949 S *	1/2011	Lim	D9/690
D634,638 S *	3/2011	L'Abbate	D9/529
D634,639 S *	3/2011	L'Abbate	D9/529

* cited by examiner

Primary Examiner — Ian Simmons

Assistant Examiner — Dana L Sipos

(74) *Attorney, Agent, or Firm* — Maxon IP LLC; Justin H. Kim

(57) **CLAIM**

The ornamental design for a cosmetic container, as shown and described.

DESCRIPTION

FIG. 1 is a perspective view of a cosmetic container; FIG. 2 is a front view of the cosmetic container of FIG. 1; FIG. 3 is a rear view of the cosmetic container of FIG. 1; FIG. 4 is a left-side view of the cosmetic container of FIG. 1; FIG. 5 is a right-side view of the cosmetic container of FIG. 1; FIG. 6 is a top plan view of the cosmetic container of FIG. 1; FIG. 7 is a bottom plan view of the cosmetic container of FIG. 1; and, FIG. 8 is an exploded perspective view of the cosmetic container of FIG. 1.

1 Claim, 5 Drawing Sheets

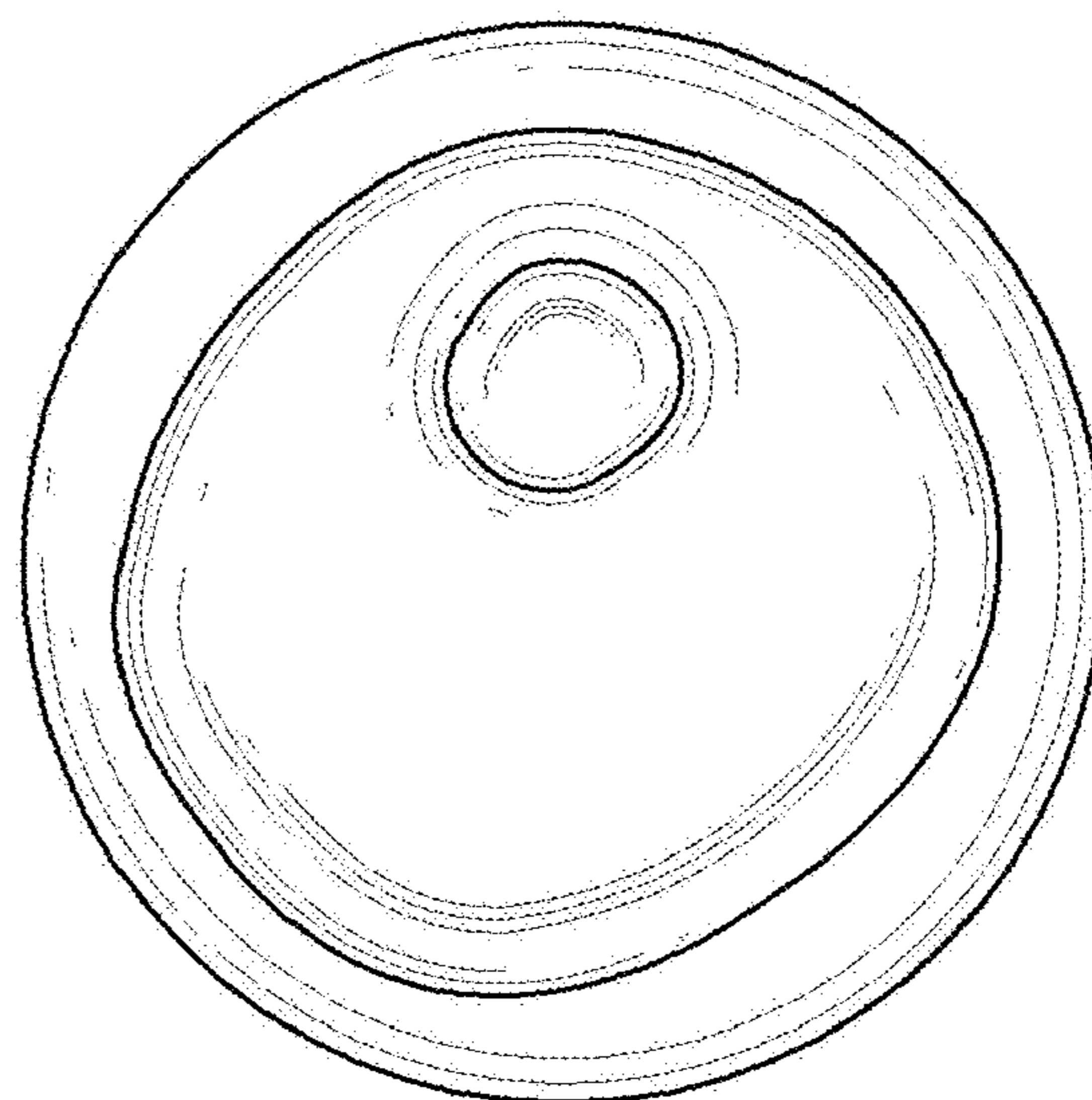
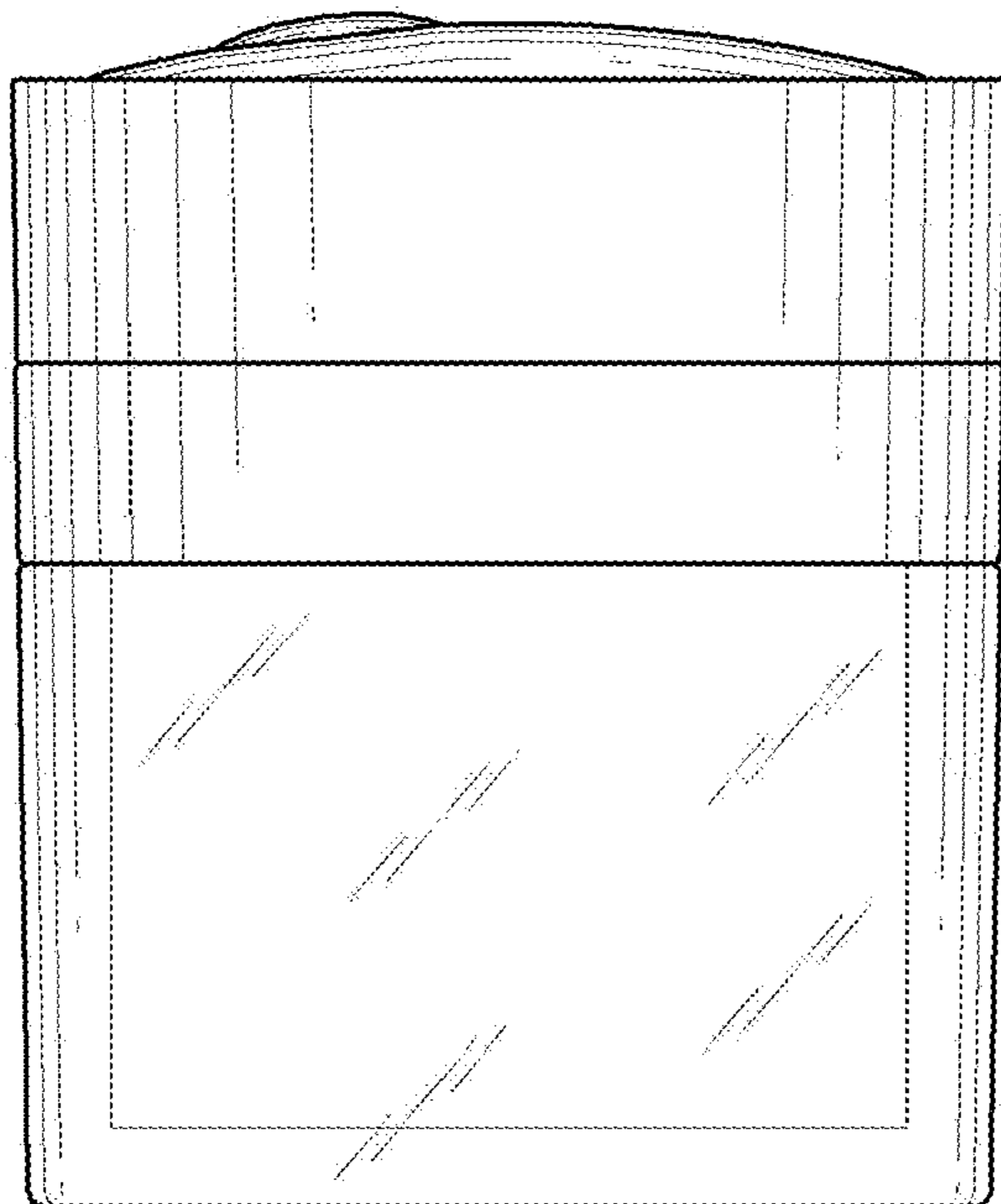


FIG. 1

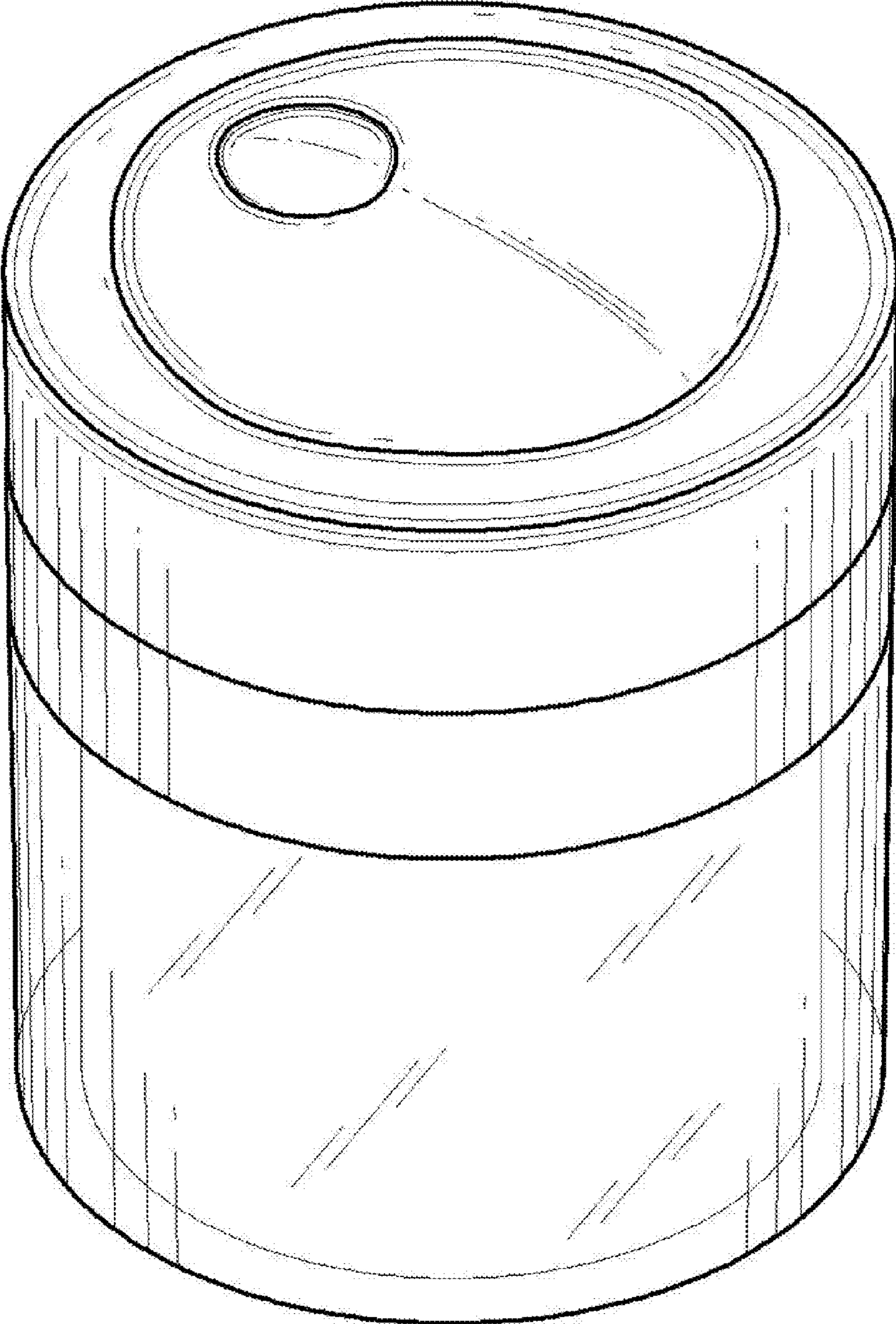


FIG.2

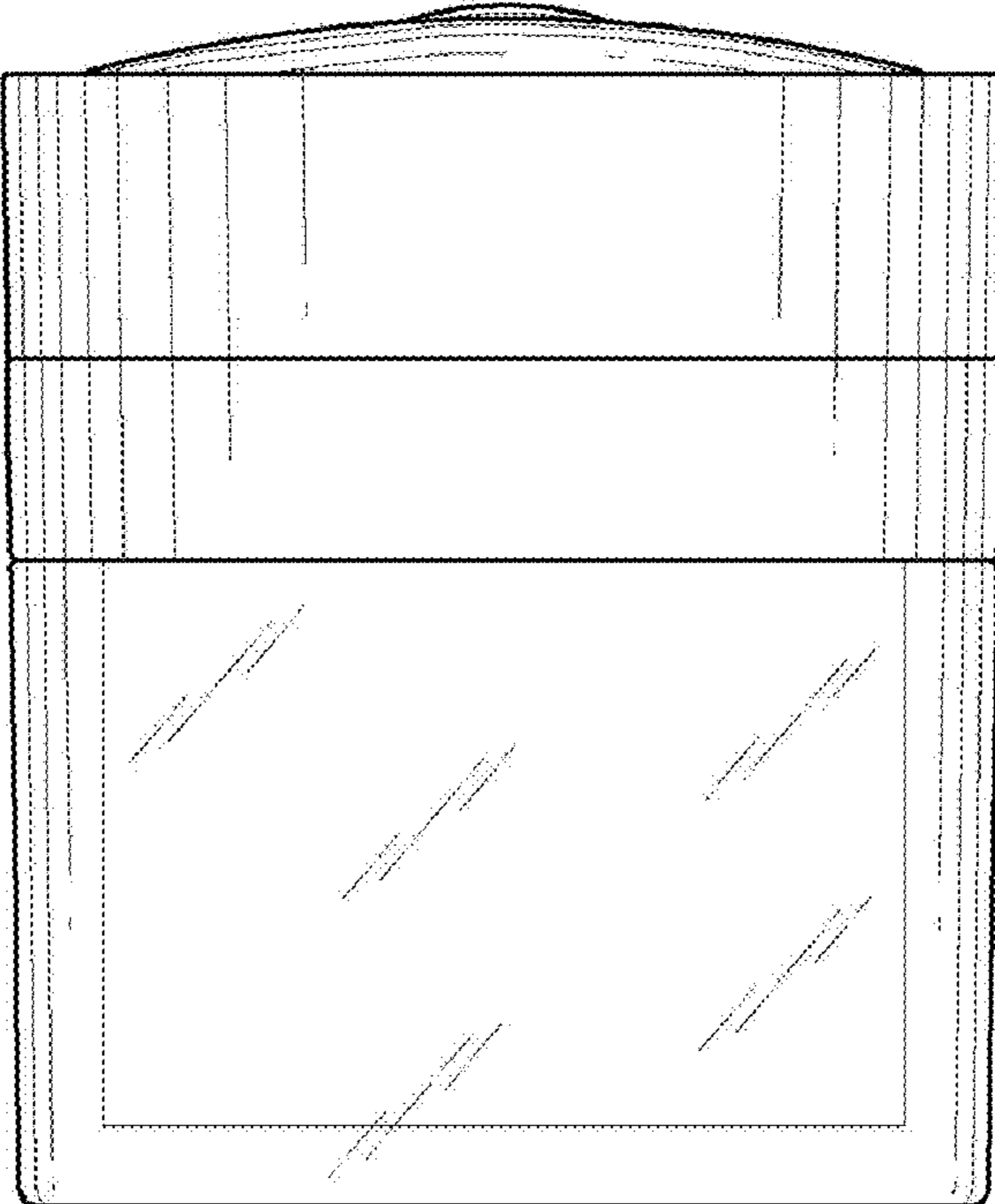


FIG.3

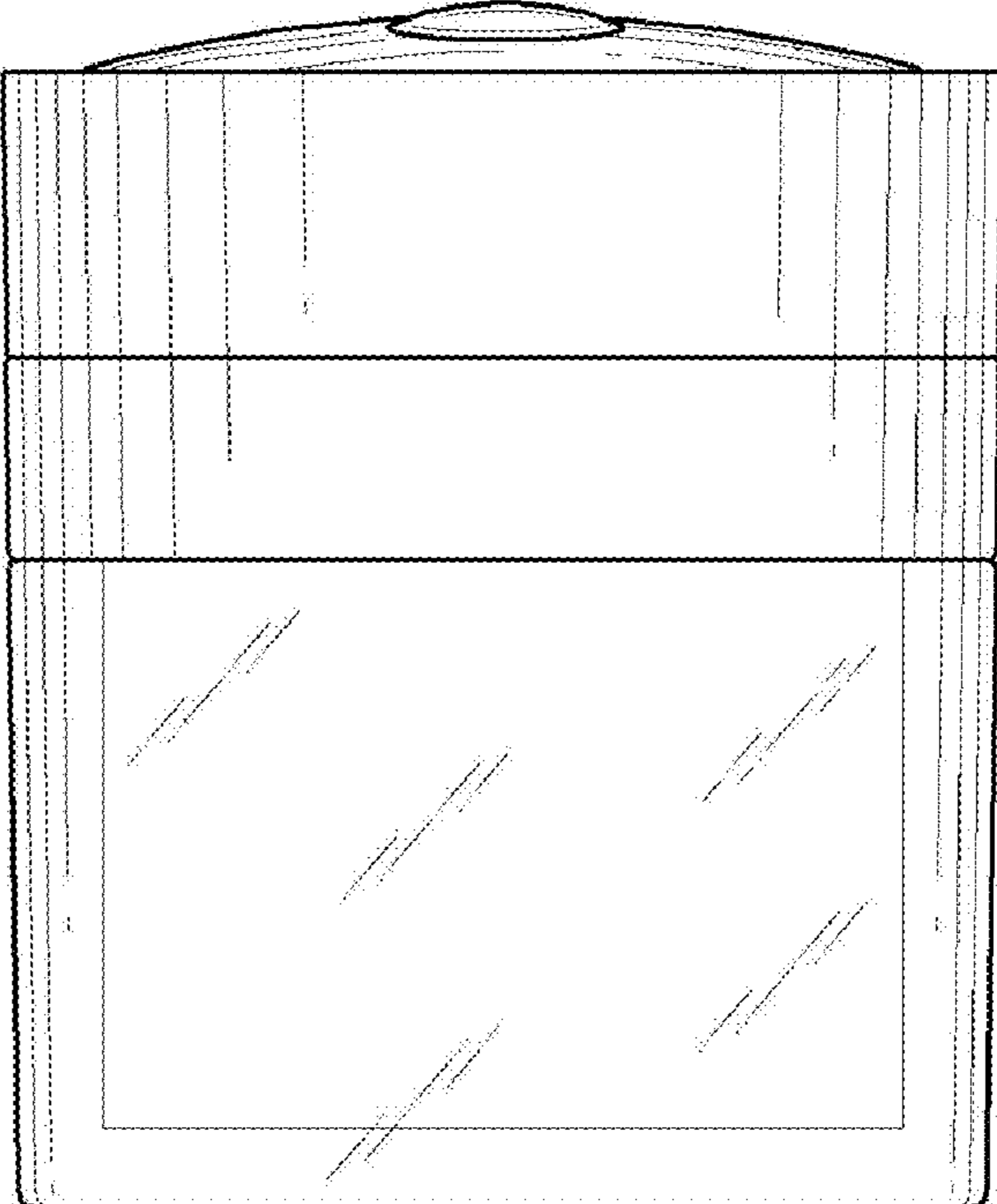


FIG.4

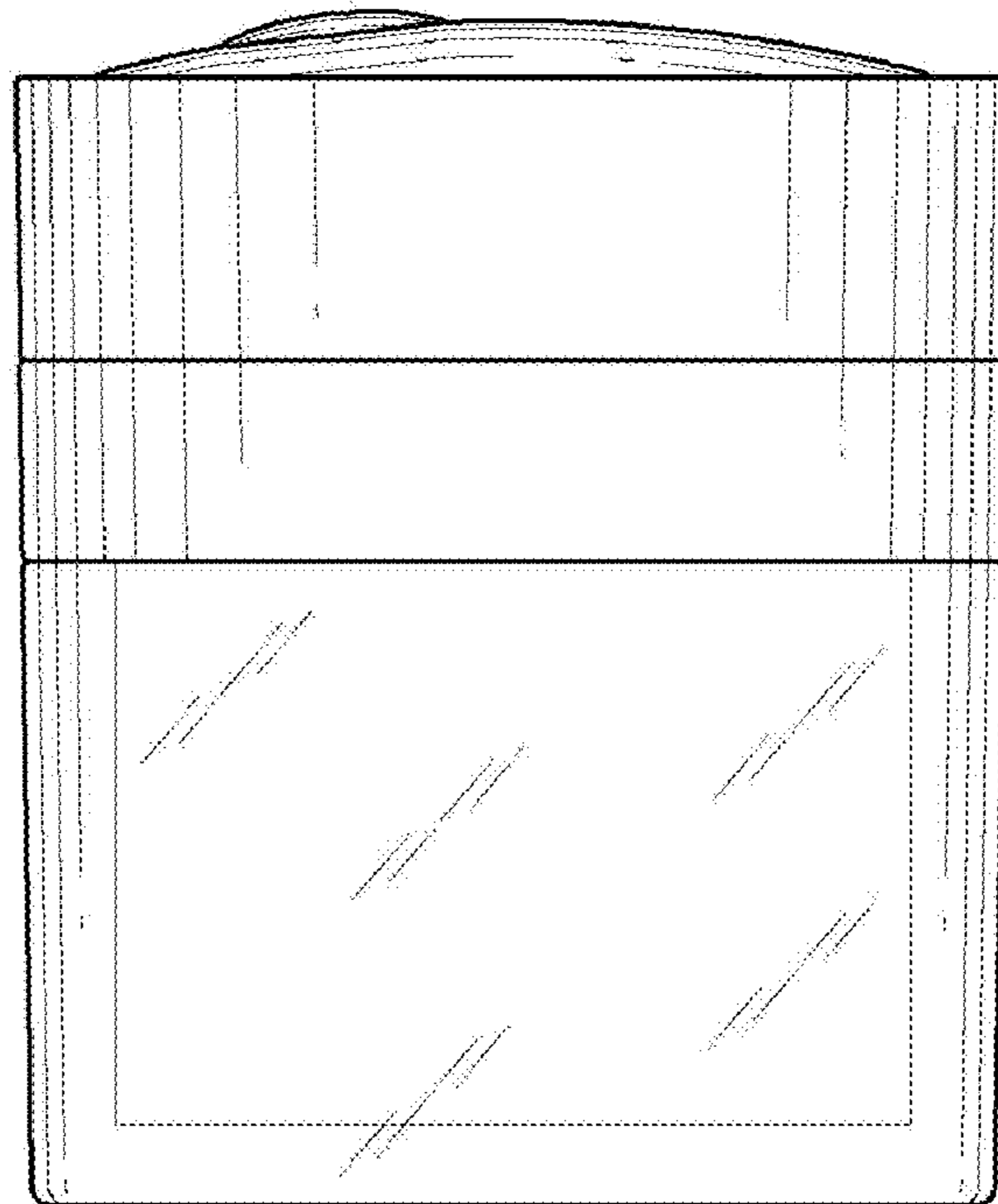


FIG.5

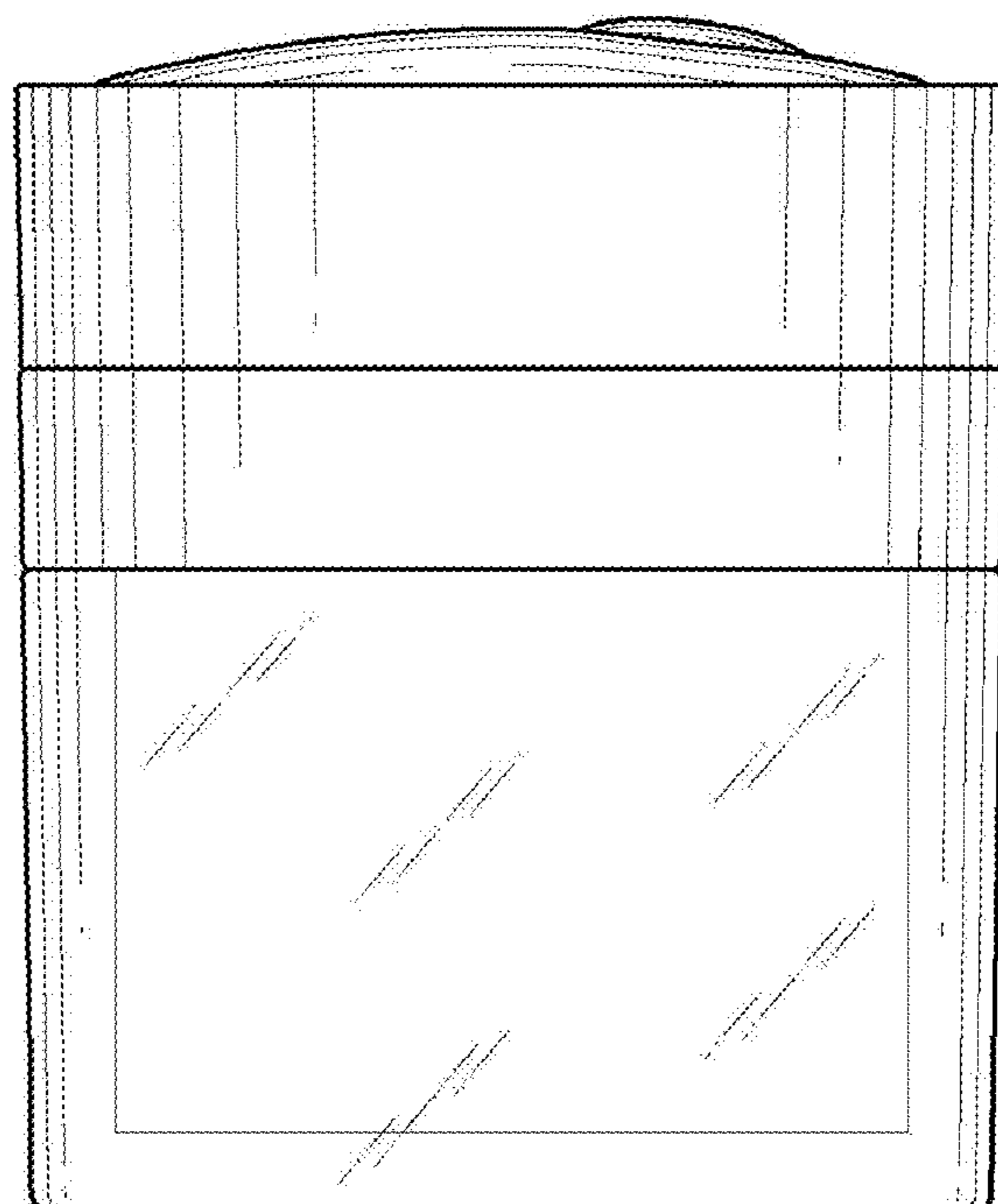


FIG.6

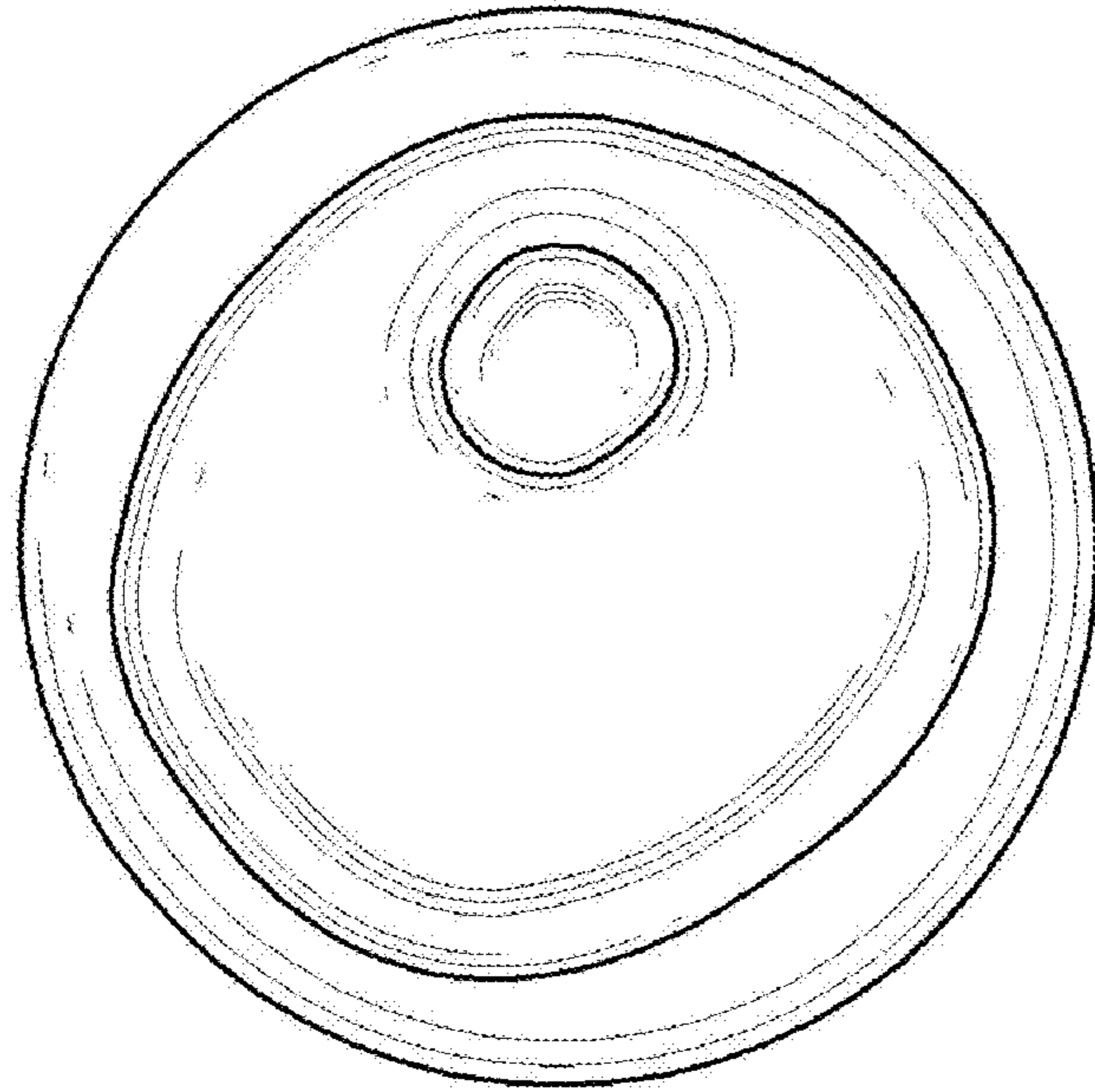


FIG.7

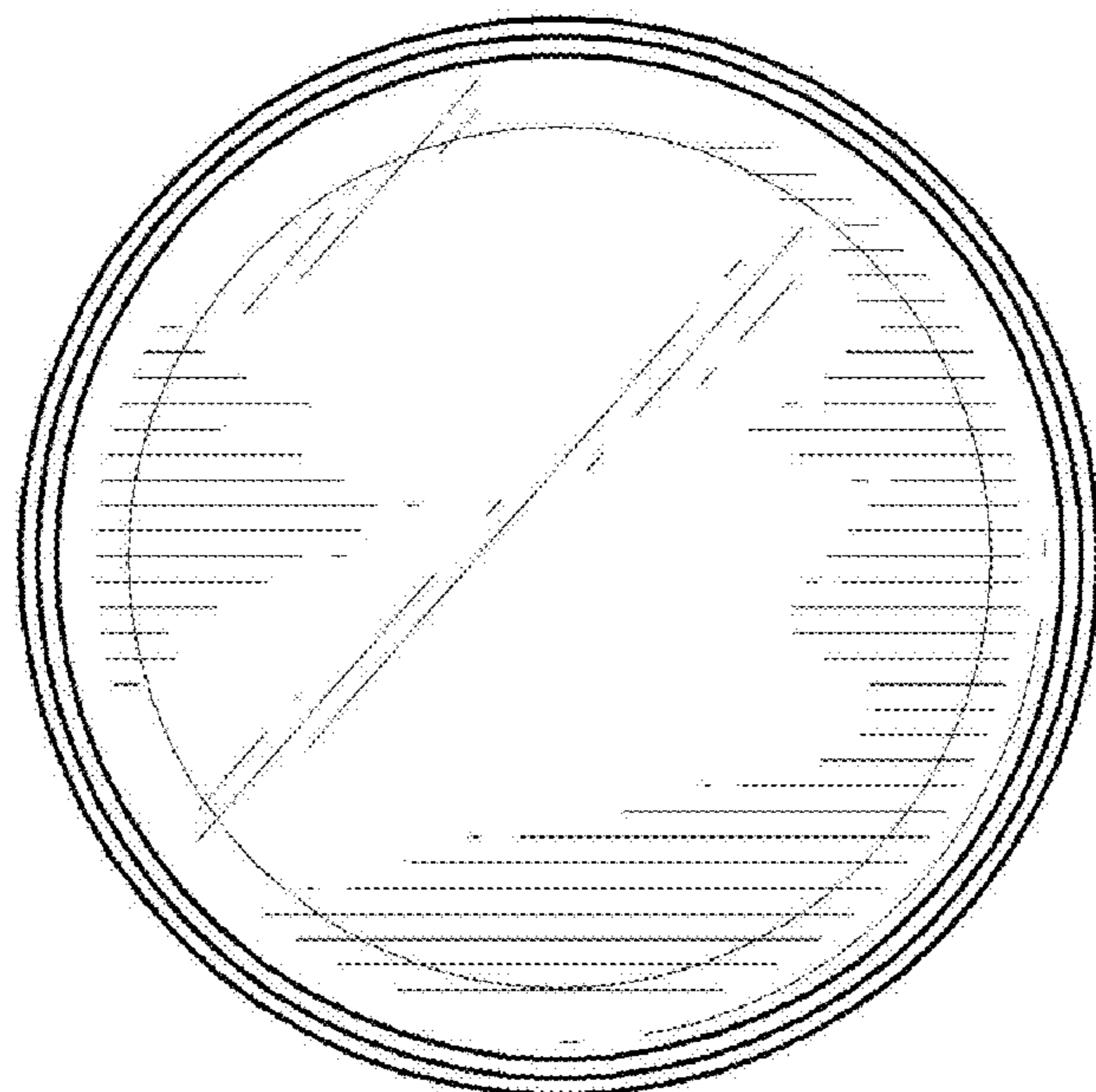


FIG.8

