



US00D645748S

(12) **United States Design Patent**
Sharma et al.

(10) **Patent No.:** **US D645,748 S**

(45) **Date of Patent:** **** Sep. 27, 2011**

(54) **CONTAINER**

(75) Inventors: **Neeraj Sharma**, Crystal Lake, IL (US);
Rebecca Baker, Chicago, IL (US);
Steven M. Redrick, Addison, TX (US);
Nathan Stokke, Geneva, IL (US)

(73) Assignee: **The Quaker Oats Company**, Chicago, IL (US)

(**) Term: **14 Years**

(21) Appl. No.: **29/386,845**

(22) Filed: **Mar. 4, 2011**

(51) **LOC (9) Cl.** **09-01**

(52) **U.S. Cl.** **D9/503; D9/428; D9/454; D7/629; D7/630**

(58) **Field of Classification Search** D9/500,
D9/502-503, 505, 516, 530, 537, 539, 549,
D9/558, 574-575, 414, 424, 425-426, 428,
D9/485, 454; D7/500, 538, 542-543, 545,
D7/584, 586-587, 601-603, 612, 615, 629-630;
D11/143, 152-153; D26/6, 9; 215/379,
215/381-382; 220/660, 669-670, 672, 675
See application file for complete search history.

(56) **References Cited**

U.S. PATENT DOCUMENTS

797,314 A	8/1905	Owens	
2,093,712 A	9/1937	Dawson	
2,245,356 A	6/1941	Murphy	
2,412,325 A	12/1946	Devine et al.	
2,429,958 A	10/1947	Liebmann	
3,039,601 A	6/1962	Martin	
3,051,303 A	8/1962	Daanen et al.	
3,070,275 A	12/1962	Bostrom	
D202,507 S *	10/1965	Shelby	D7/523
3,310,195 A	3/1967	Wagner et al.	
3,506,459 A	4/1970	Parlour	
3,514,029 A	5/1970	Powell	
D230,139 S *	1/1974	Bart	D9/452

D238,237 S	12/1975	Herlow	
3,967,731 A	7/1976	Boduch	
D241,399 S	9/1976	Christian	
RE29,320 E	7/1977	Kalata et al.	
4,082,184 A	4/1978	Hammer	
4,233,325 A	11/1980	Slangan et al.	
D258,338 S	2/1981	Gersin	
4,341,324 A	7/1982	Ramirez	
4,348,421 A	9/1982	Sakakibara et al.	
D272,213 S *	1/1984	Daenen	D7/523
D285,656 S *	9/1986	Champion	D9/503
4,794,008 A	12/1988	Schmidt et al.	
D299,801 S	2/1989	Basitodos	
4,844,263 A	7/1989	Hadtke	
4,874,618 A	10/1989	Seaborne et al.	
4,928,839 A	5/1990	Kruelskie	

(Continued)

FOREIGN PATENT DOCUMENTS

DE 19500500 A1 11/1996

(Continued)

Primary Examiner — Ian Simmons

Assistant Examiner — Dana L Sipos

(74) *Attorney, Agent, or Firm* — Banner & Witcoff, Ltd.

(57) **CLAIM**

The ornamental design for a container, as shown and described.

DESCRIPTION

FIG. 1 is a top, front, right side perspective view of a container showing our new design;

FIG. 2 is a right side view thereof;

FIG. 3 is a front view thereof;

FIG. 4 is a left side view thereof;

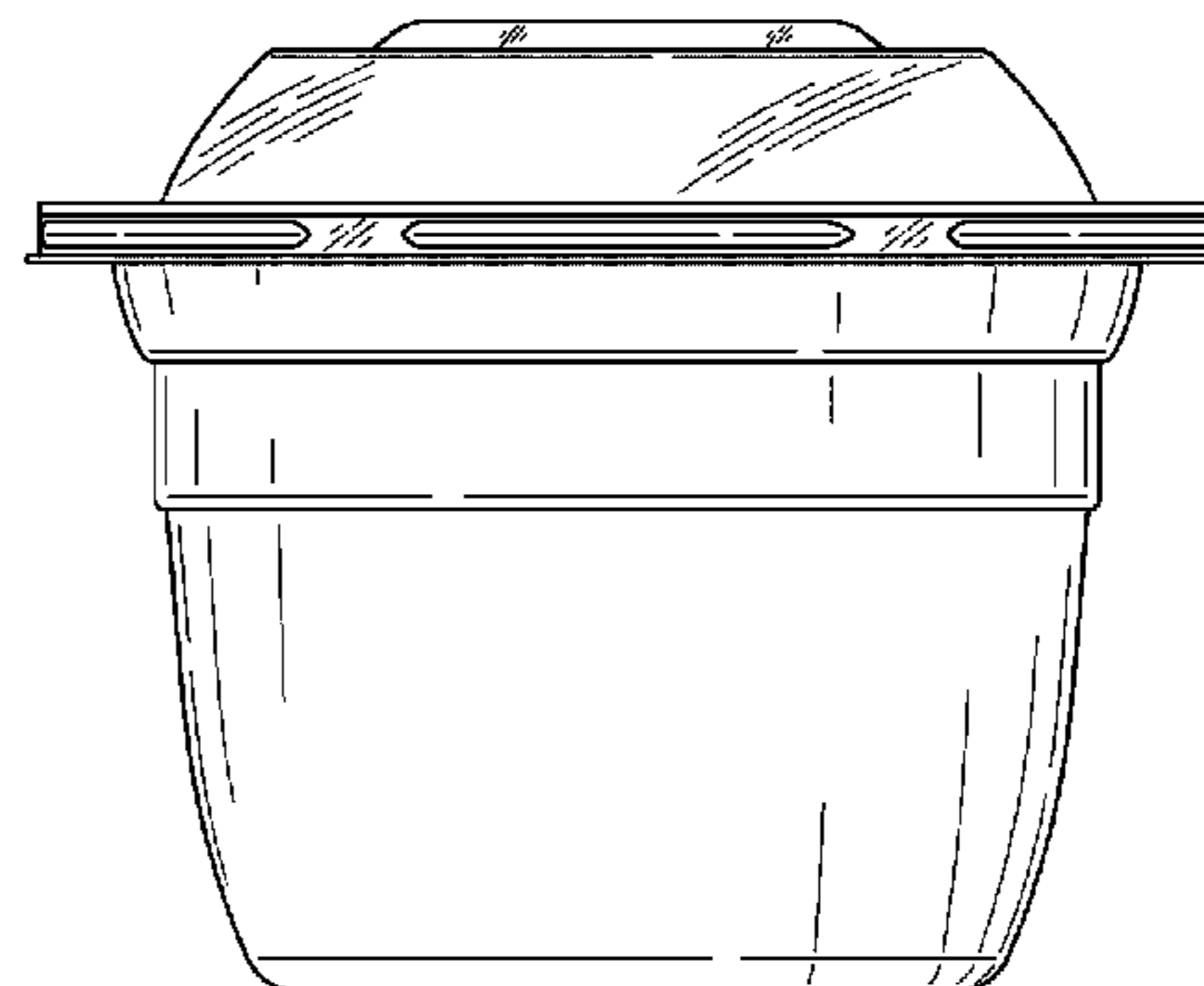
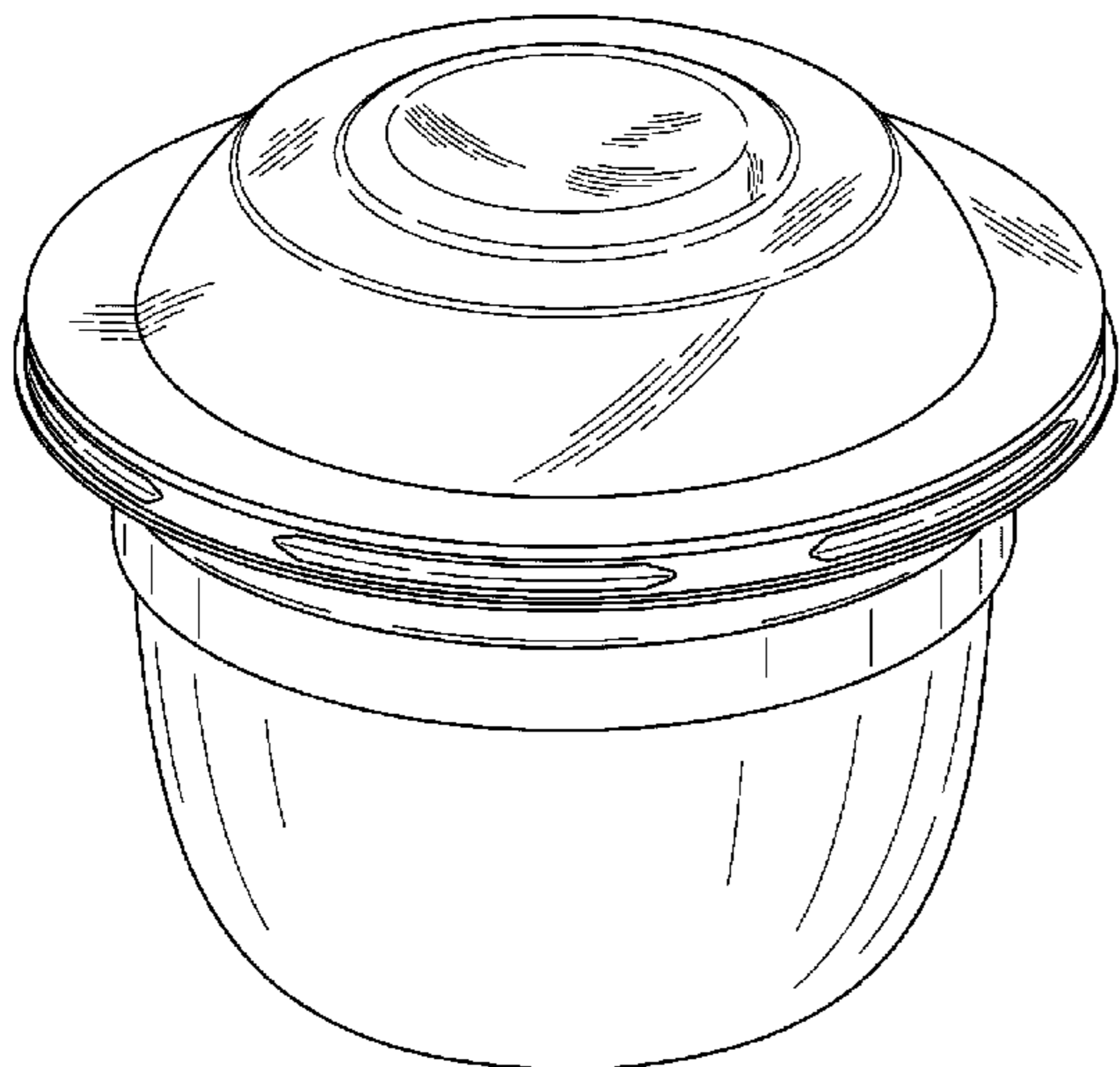
FIG. 5 is a rear view thereof;

FIG. 6 is a top view thereof; and,

FIG. 7 is a bottom view thereof.

The broken lines immediately adjacent to the shaded area represent unclaimed boundaries of the design.

1 Claim, 4 Drawing Sheets



US D645,748 S

Page 2

U.S. PATENT DOCUMENTS

4,978,022	A	12/1990	Weick	
5,077,066	A	12/1991	Mattson et al.	
D334,113	S *	3/1993	Lewis et al.	D7/629
D336,596	S	6/1993	Osgood et al.	
5,409,126	A	4/1995	DeMars	
5,409,128	A	4/1995	Mitchell	
D362,594	S	9/1995	McEntee	
5,447,236	A	9/1995	Perry et al.	
D364,088	S	11/1995	Robbins, III	
D364,112	S	11/1995	Dickinson et al.	
D368,234	S *	3/1996	Dickinson et al.	D11/152
D376,960	S	12/1996	Ferris	
5,706,980	A	1/1998	Dickerson	
5,769,229	A	6/1998	Andress et al.	
5,807,597	A	9/1998	Barnes et al.	
D399,452	S *	10/1998	Durbin	D11/152
D404,262	S	1/1999	McGill	
5,871,116	A	2/1999	Pichiatti	
5,894,953	A	4/1999	Ramirez	
D412,811	S	8/1999	Rotta	
D415,025	S	10/1999	McCann	
D415,420	S	10/1999	Chen	
6,022,570	A	2/2000	Richmond	
D426,160	S	6/2000	Lindsay et al.	
D429,150	S	8/2000	Lindsay et al.	
6,102,209	A	8/2000	D'Andrea	
6,196,406	B1	3/2001	Ennis	
D445,689	S	7/2001	McCutchan	
D448,669	S *	10/2001	Carducci et al.	D9/454
D452,441	S	12/2001	Bezek et al.	
D453,094	S	1/2002	Maggard et al.	
6,557,720	B2	5/2003	Tosdale et al.	
6,588,654	B2	7/2003	Nakashima	
6,596,328	B1	7/2003	Bezek et al.	
D482,240	S	11/2003	Sohoo et al.	
6,766,902	B1	7/2004	Hartelius	
6,796,430	B2	9/2004	Mercier et al.	
6,886,694	B2	5/2005	McNeely et al.	
6,903,320	B2	6/2005	Cutter et al.	
D523,296	S	6/2006	Kim	
D546,140	S	7/2007	Anzalone	
7,350,789	B2	4/2008	Uffner et al.	

D568,156	S	5/2008	Wilson et al.	
D569,253	S *	5/2008	Cracchiolo	D9/503
D572,133	S	7/2008	Wilson et al.	
D577,288	S	9/2008	Wilson et al.	
D591,590	S	5/2009	Wilson et al.	
D594,324	S	6/2009	Colacitti	
D594,326	S	6/2009	Colacitti	
D606,368	S	12/2009	Wu	
D607,329	S	1/2010	Diss	
D610,875	S	3/2010	Wingfield et al.	
D625,149	S	10/2010	Stamper	
7,832,586	B2	11/2010	Vovan	
D630,058	S *	1/2011	Tardif	D7/401.1
D631,302	S	1/2011	Sperrazza	
D634,618	S *	3/2011	Colacitti	D9/425
2002/0114870	A1	8/2002	Rebhorn et al.	
2004/0099544	A1	5/2004	Ness et al.	
2005/0051549	A1	3/2005	Nelson	
2005/0136157	A1	6/2005	Ebihara	
2005/0208186	A1	9/2005	Kirkland	
2005/0220939	A1	10/2005	Morrow	
2007/0172554	A1	7/2007	Blythe et al.	
2007/0172556	A1	7/2007	Berrysmith	
2007/0227919	A1	10/2007	True	
2008/0251521	A1	10/2008	Efremenko	
2009/0186133	A1	7/2009	Bjork et al.	
2009/0200301	A1	8/2009	Beekman et al.	
2010/0200582	A1	8/2010	Hä mmerle et al.	
2011/0020506	A1	1/2011	Bordini Cantucci et al.	

FOREIGN PATENT DOCUMENTS

DE	29616374	U1	6/1997
DE	20004325	U1	8/2001
EP	308807	A2	9/1989
EP	308807	A3	3/1990
EP	1295806	A2	3/2003
EP	1295806	A3	1/2004
EP	1876106	B1	1/2004
EP	1876106	A1	1/2008
GB	2218962	A	11/1989
WO	WO 9607604	A1	3/1996

* cited by examiner

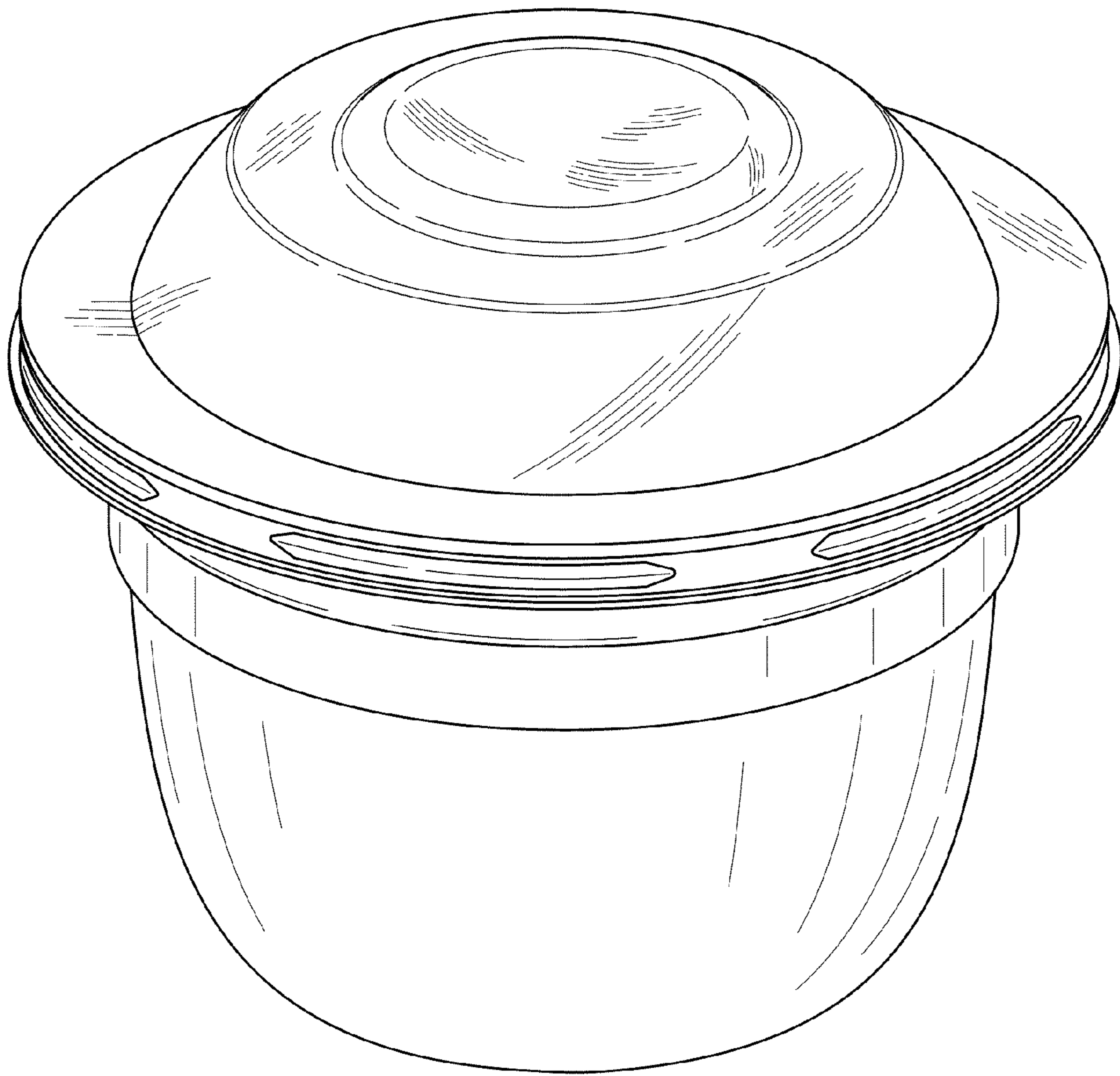


FIG. 1

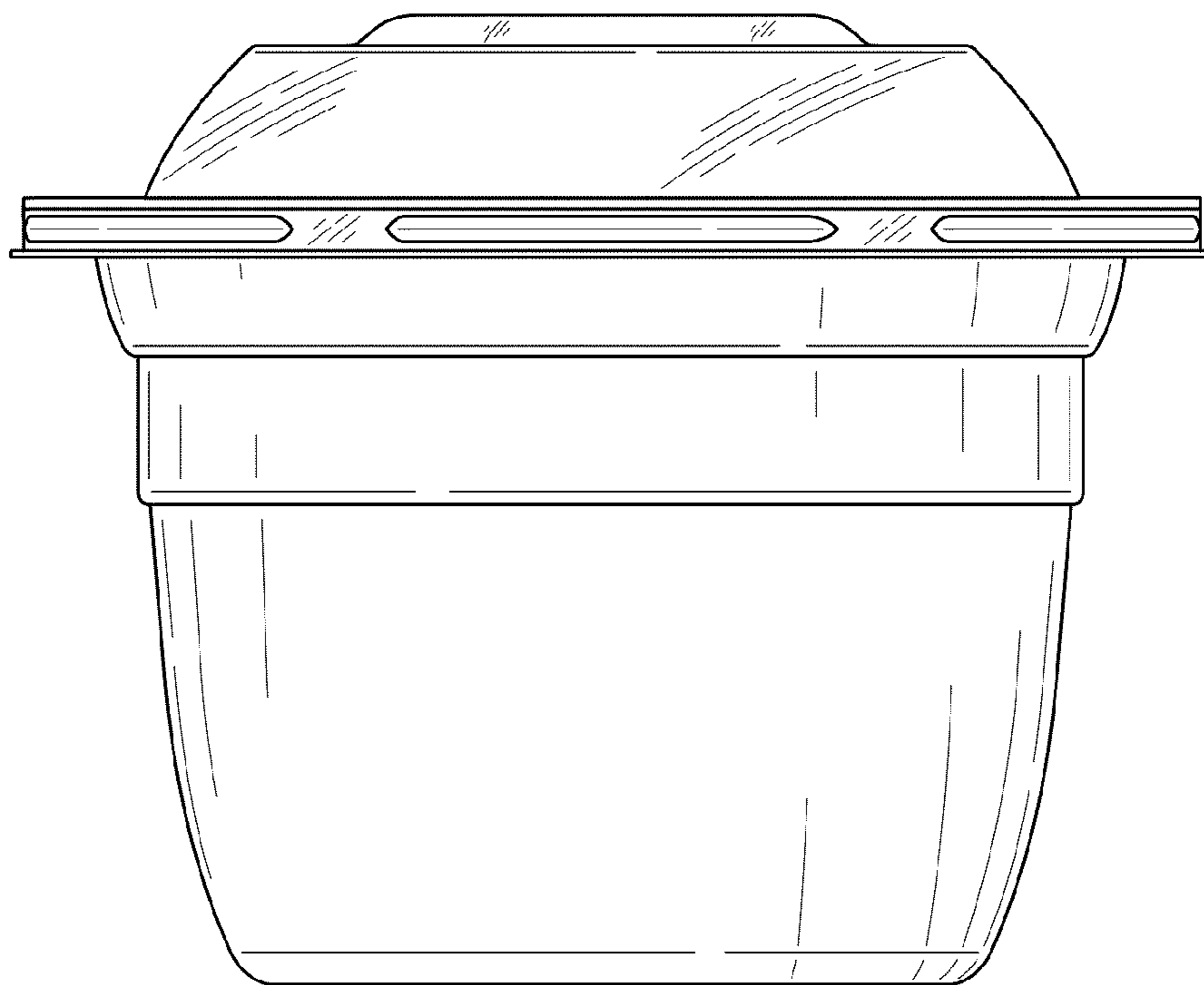


FIG. 2

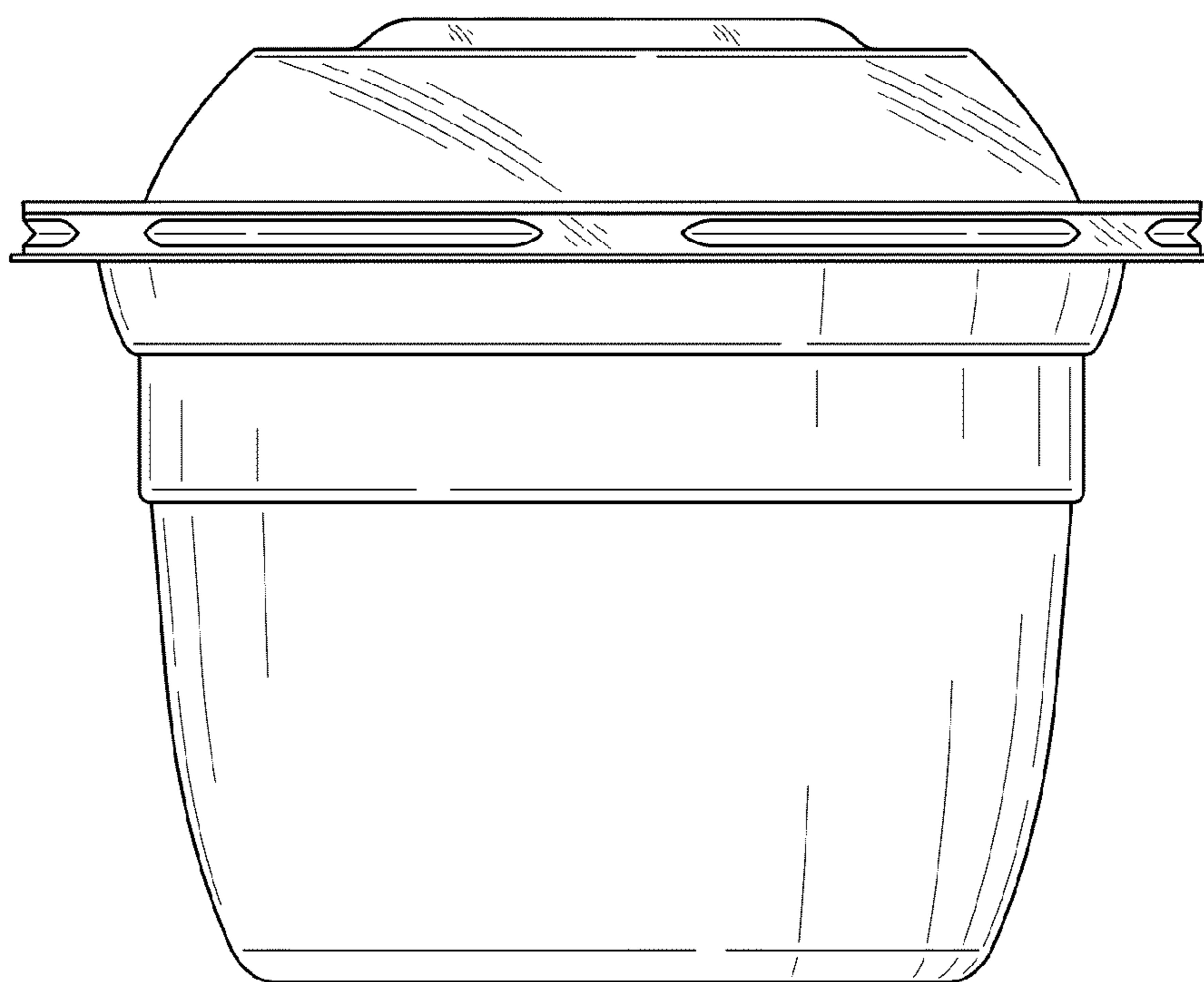


FIG. 3

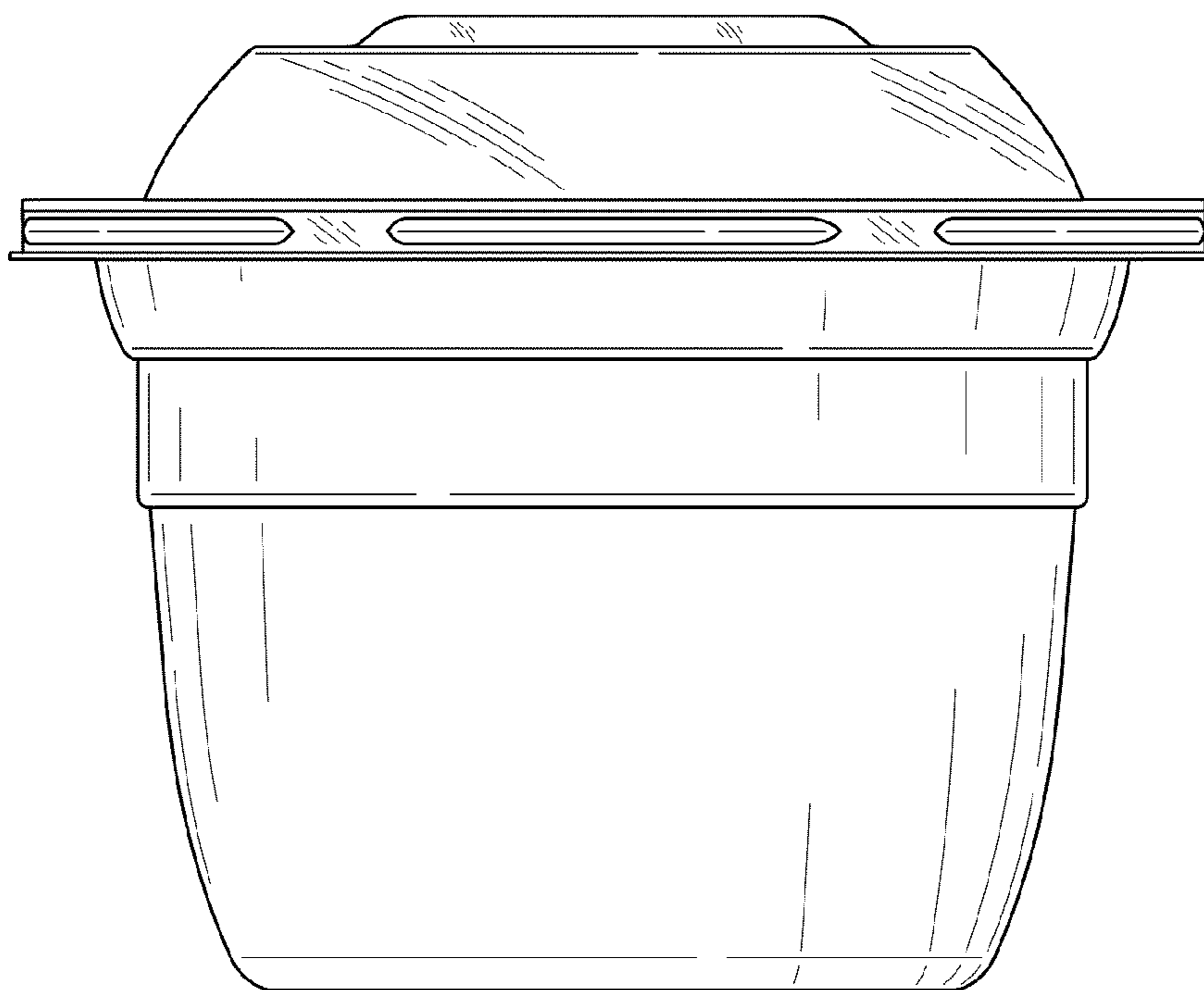


FIG. 4



FIG. 5

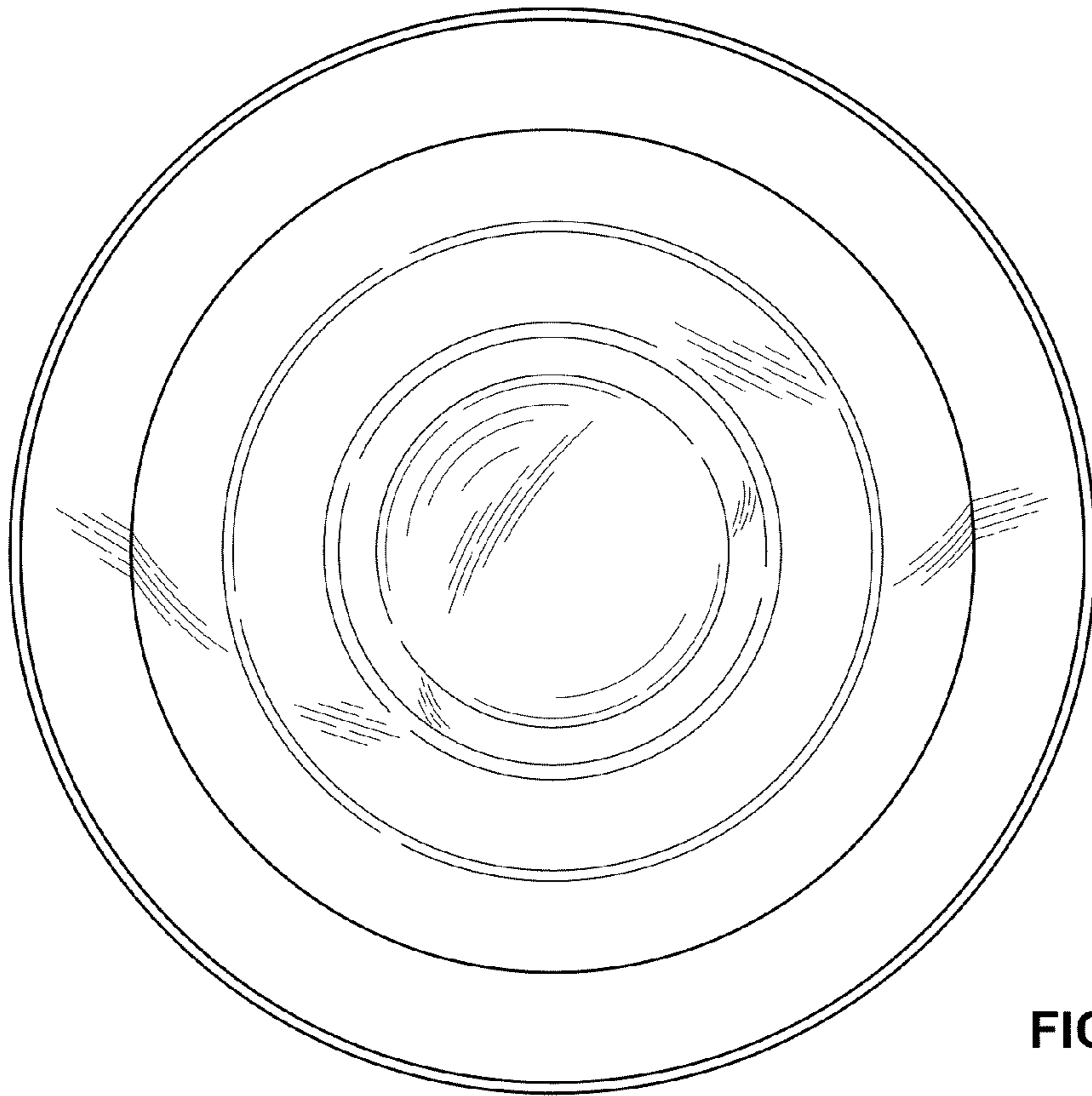


FIG. 6

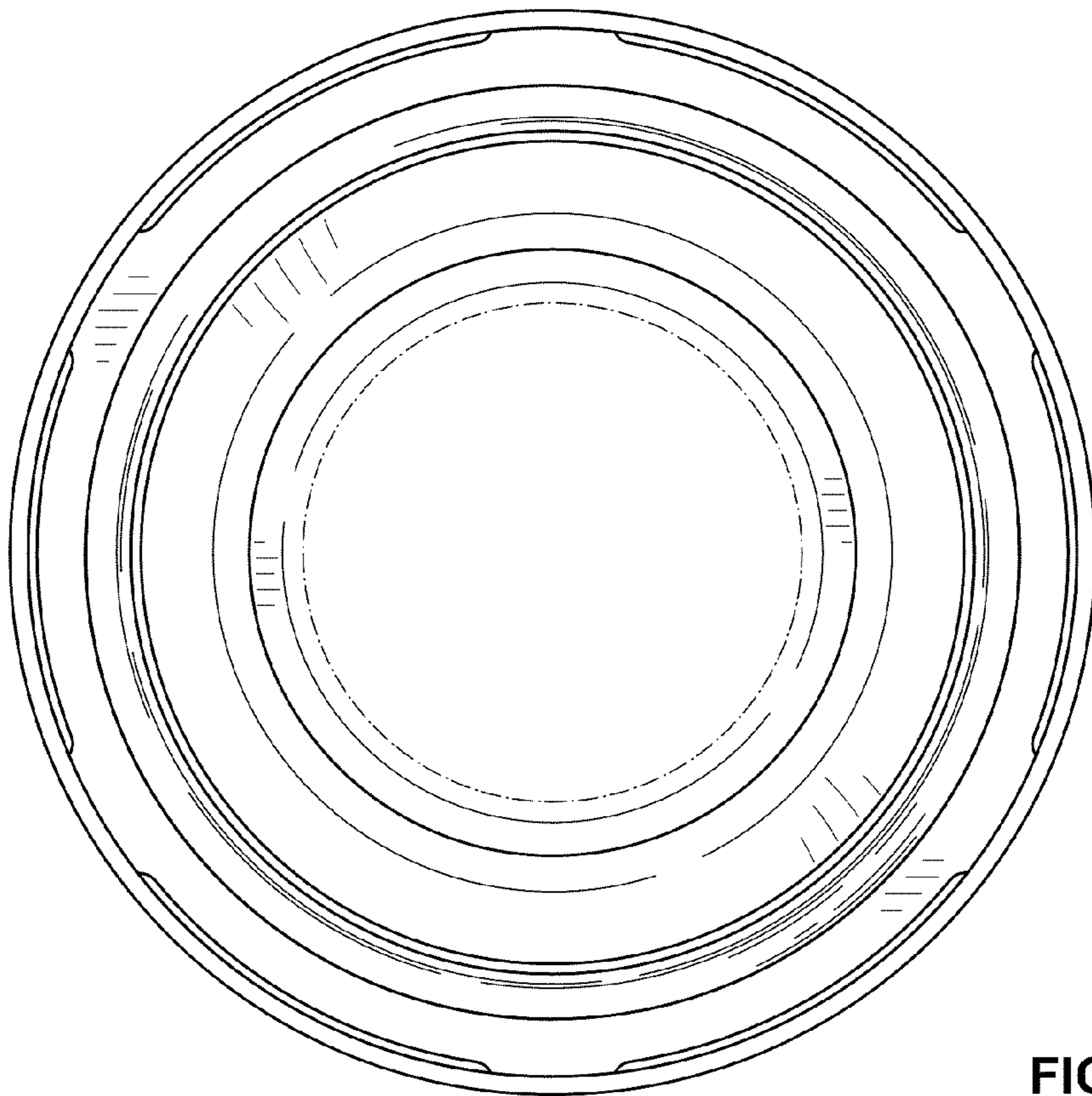


FIG. 7