



US00D645737S

(12) **United States Design Patent**
Oakes

(10) **Patent No.:** **US D645,737 S**

(45) **Date of Patent:** **** Sep. 27, 2011**

(54) **SEALABLE SNACK CONTAINER**
(75) Inventor: **Shawn A. Oakes**, Ripon, WI (US)
(73) Assignee: **Dixie Consumer Products LLC**,
Atlanta, GA (US)

4,421,244 A 12/1983 Van Melle
4,593,819 A 6/1986 Will
4,753,766 A 6/1988 Pinsolle et al.
4,798,133 A 1/1989 Johnson
4,829,006 A 5/1989 Smith et al.
4,875,620 A 10/1989 Lane, Sr.

(Continued)

(**) Term: **14 Years**

FOREIGN PATENT DOCUMENTS

(21) Appl. No.: **29/368,807**

CH 619665 10/1980

(Continued)

(22) Filed: **Aug. 30, 2010**

OTHER PUBLICATIONS

(51) **LOC (9) Cl.** **09-03**

(52) **U.S. Cl.** **D9/425; D9/420**

(58) **Field of Classification Search** D9/414,
D9/416, 417, 419, 424, 425, 430, 431, 432,
D9/761; D7/538, 549, 550.1, 601-603, 605,
D7/629; 220/23.4, 23.6, 266, 281, 315, 318,
220/500, 659, 669, 674, 675, 696, 752, 760,
220/790, 793, DIG. 12, FOR. 117; 229/105,
229/117.09, 117.26, 189, 406, 407, 902,
229/905, 915.1; 206/499, 508, 557; D3/276

Throne, Thermoforming, 1987, pp. 21-29, Hanser Publishers,
Munich, Germany.

Primary Examiner — Thomas Johannes

(74) *Attorney, Agent, or Firm* — William W. Letson

(57) **CLAIM**

The ornamental design for a sealable snack container, as
shown and described.

See application file for complete search history.

DESCRIPTION

(56) **References Cited**

U.S. PATENT DOCUMENTS

1,941,050 A 12/1933 Punte
2,302,045 A 11/1942 Neumann et al.
2,825,450 A 3/1958 Lambert
3,021,001 A 2/1962 Donofrio
3,054,679 A 9/1962 Bradford
3,115,266 A 12/1963 Poupitch
3,389,825 A 6/1968 Whiteford
3,420,431 A 1/1969 Donovan
3,448,888 A 6/1969 Smith et al.
3,647,055 A 3/1972 Pfaff
3,715,856 A 2/1973 Borel
3,757,983 A 9/1973 McCarthy
4,054,207 A 10/1977 Lazure et al.
4,105,121 A 8/1978 Mascetti
4,215,797 A 8/1980 Chen
4,296,863 A 10/1981 Stokkers
4,398,634 A 8/1983 McClosky

FIG. 1 is a perspective view of a first embodiment of a sealable snack container in an open position showing my new design;

FIG. 2 is a top plan view thereof;

FIG. 3 is a side elevation view thereof;

FIG. 4 is a bottom plan view thereof;

FIG. 5 is a perspective view of a second embodiment of a sealable snack container in an open position showing my new design;

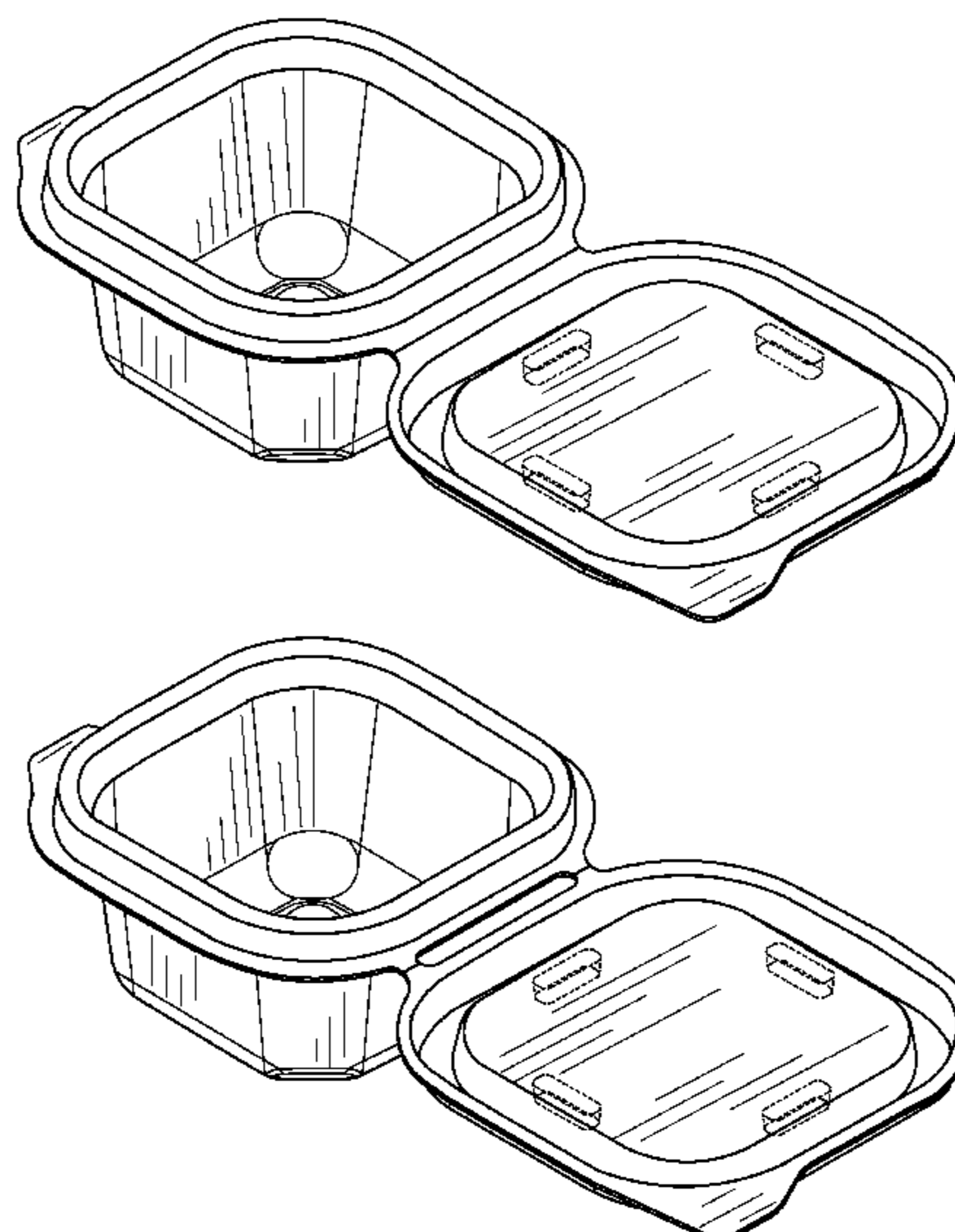
FIG. 6 is a top plan view thereof;

FIG. 7 is a side elevation view thereof; and,

FIG. 8 is a bottom plan view thereof.

The broken line portion of the figure drawings is included to show unclaimed subject matter only and forms no part of the claimed design.

1 Claim, 6 Drawing Sheets



US D645,737 S

U.S. PATENT DOCUMENTS

5,012,971	A	5/1991	Cozzi et al.	
5,024,067	A	6/1991	Maier, II	
5,037,000	A	8/1991	Selame	
5,160,767	A	11/1992	Genske et al.	
5,221,040	A	6/1993	Sorenson	
5,300,748	A	4/1994	Colombo	
5,320,279	A	6/1994	Giblin et al.	
5,332,147	A	7/1994	Sorenson	
5,334,272	A	8/1994	Takata et al.	
5,366,104	A	11/1994	Armstrong	
5,377,860	A	1/1995	Littlejohn et al.	
5,398,068	A	3/1995	Liu et al.	
5,409,127	A	4/1995	Strafford et al.	
5,417,365	A	5/1995	Lindsay	
5,456,379	A	10/1995	Krupa et al.	
5,531,349	A	7/1996	Wojcik et al.	
5,543,104	A	8/1996	Stratford et al.	
5,584,408	A	12/1996	Orkisz	
D388,325	S	12/1997	Tucker et al.	
5,702,017	A	12/1997	Gonclaves	
D390,109	S	2/1998	Tucker et al.	
5,720,406	A	2/1998	Fassbind et al.	
5,722,553	A	3/1998	Hovatter	
5,904,263	A	5/1999	St. Pierre et al.	
5,938,068	A	8/1999	Atkins et al.	
5,979,690	A	11/1999	Hartley et al.	
6,000,535	A	12/1999	Berk et al.	
6,032,827	A	3/2000	Zettle et al.	
6,047,819	A	4/2000	Borst et al.	
6,076,698	A	6/2000	Magidson	
6,170,696	B1	1/2001	Tucker et al.	
6,211,500	B1	4/2001	McCarthy et al.	
6,211,501	B1	4/2001	Cochran, II et al.	
6,467,647	B1	10/2002	Tucker et al.	
6,629,834	B2	10/2003	Cargile et al.	
6,805,659	B2	10/2004	Bohrer	
6,910,599	B2	6/2005	Tucker et al.	
7,017,776	B1 *	3/2006	Hupp 220/834	
7,073,680	B2 *	7/2006	Boback et al. 220/266	
D542,100	S *	5/2007	Kim D7/629	
7,261,219	B2	8/2007	Tucker et al.	

D556,567	S *	12/2007	Templeton D9/425	
D587,993	S *	3/2009	Vovan D9/416	
7,712,626	B2 *	5/2010	Vovan 220/791	
7,775,395	B2	8/2010	Zeiler et al.	
7,922,021	B2	4/2011	Golden	
D639,156	S	6/2011	Guillemin et al.	
7,963,421	B2	6/2011	Zeiler et al.	
2001/0052479	A1	12/2001	Gaffney et al.	
2002/0037378	A1	3/2002	Littlejohn et al.	
2002/0088737	A1	7/2002	Stepp	
2003/0141218	A1	7/2003	Stephens et al.	
2003/0185948	A1	10/2003	Garwood	
2003/0230582	A1	12/2003	Whitmore et al.	
2004/0164076	A1	8/2004	Baker et al.	
2005/0011898	A1	1/2005	Van Handel et al.	
2006/0032858	A1 *	2/2006	Lee et al. 220/793	
2007/0246469	A1	10/2007	Whitmore et al.	
2007/0295721	A1	12/2007	Van Handel et al.	
2007/0295741	A1	12/2007	Baker et al.	
2010/0170824	A1 *	7/2010	Ramanujam et al. 206/508	
2010/0224643	A1	9/2010	Daggett	

FOREIGN PATENT DOCUMENTS

DE	2444416	A1	4/1976
DE	2653906	A1	6/1978
DE	10012364	A1	9/2001
EP	0275102	A2	7/1988
EP	0284349	A2	9/1988
EP	0348142	A2	12/1989
EP	0412029	A1	2/1991
EP	0605082	A1	7/1994
EP	0841150	A2	5/1998
FR	1278149		12/1961
FR	1392947		3/1965
FR	2763314	A1	11/1998
GB	649541		1/1951
GB	2156658	A	10/1985
RU	19027	U1	8/2001
WO	03/106276	A1	12/2003
WO	2005/068306	A1	7/2005
WO	2005/068307	A2	7/2005

* cited by examiner

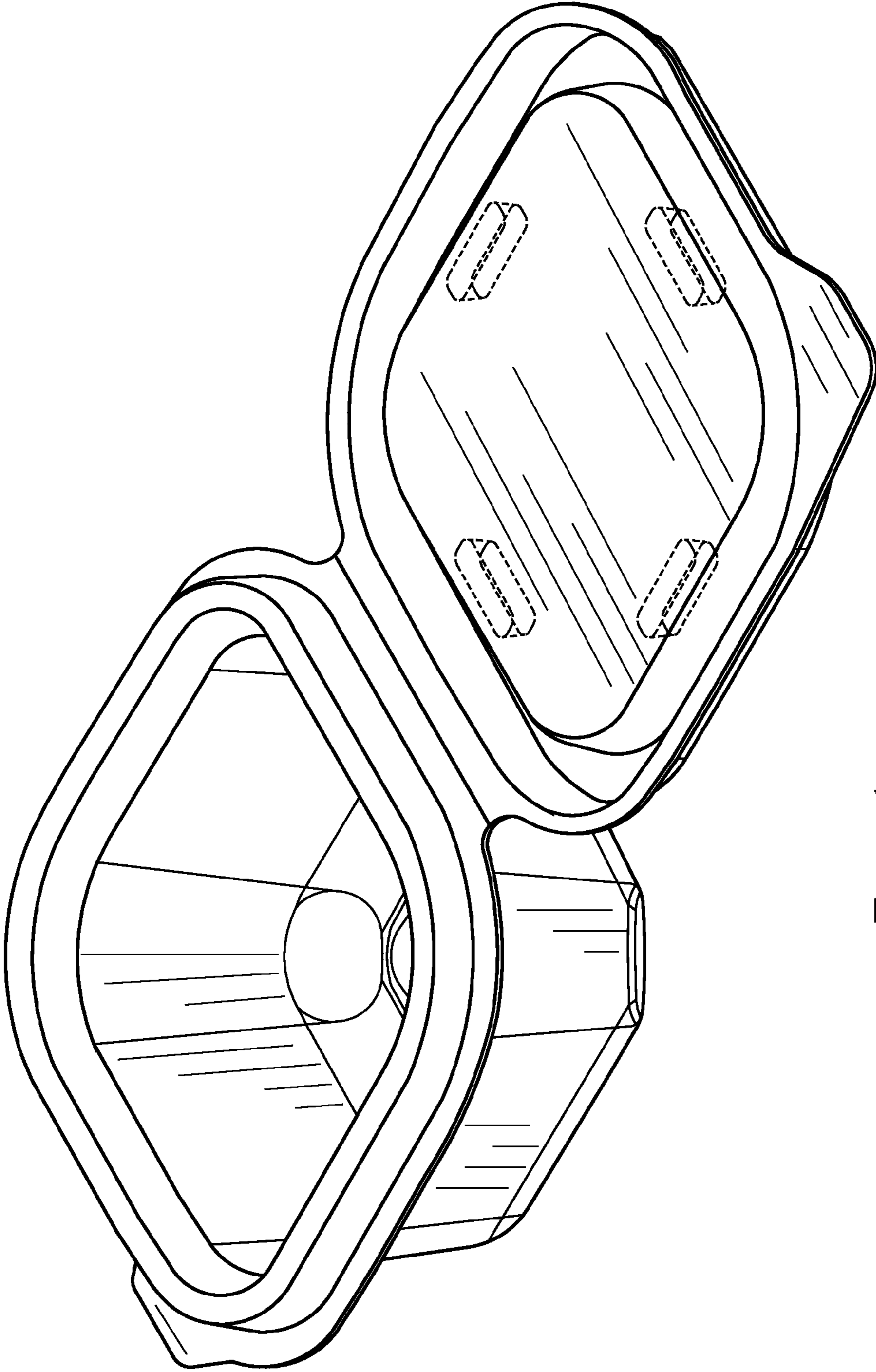


Fig. 1

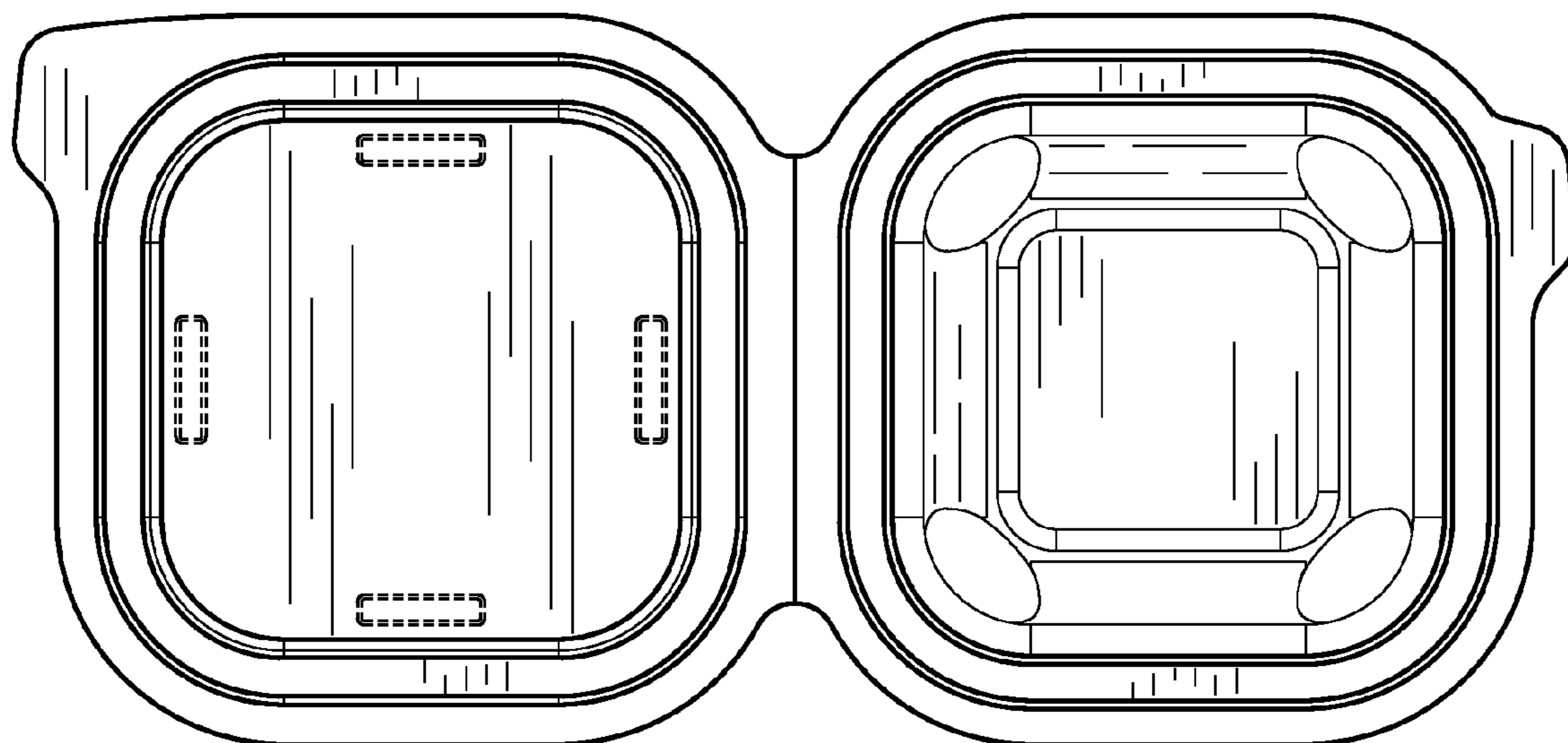


Fig. 2

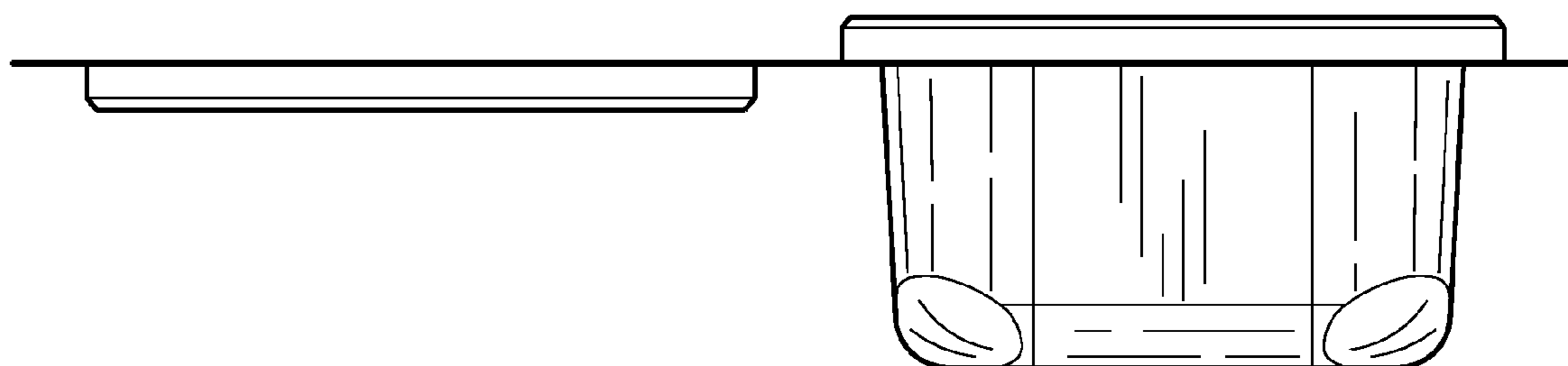


Fig. 3

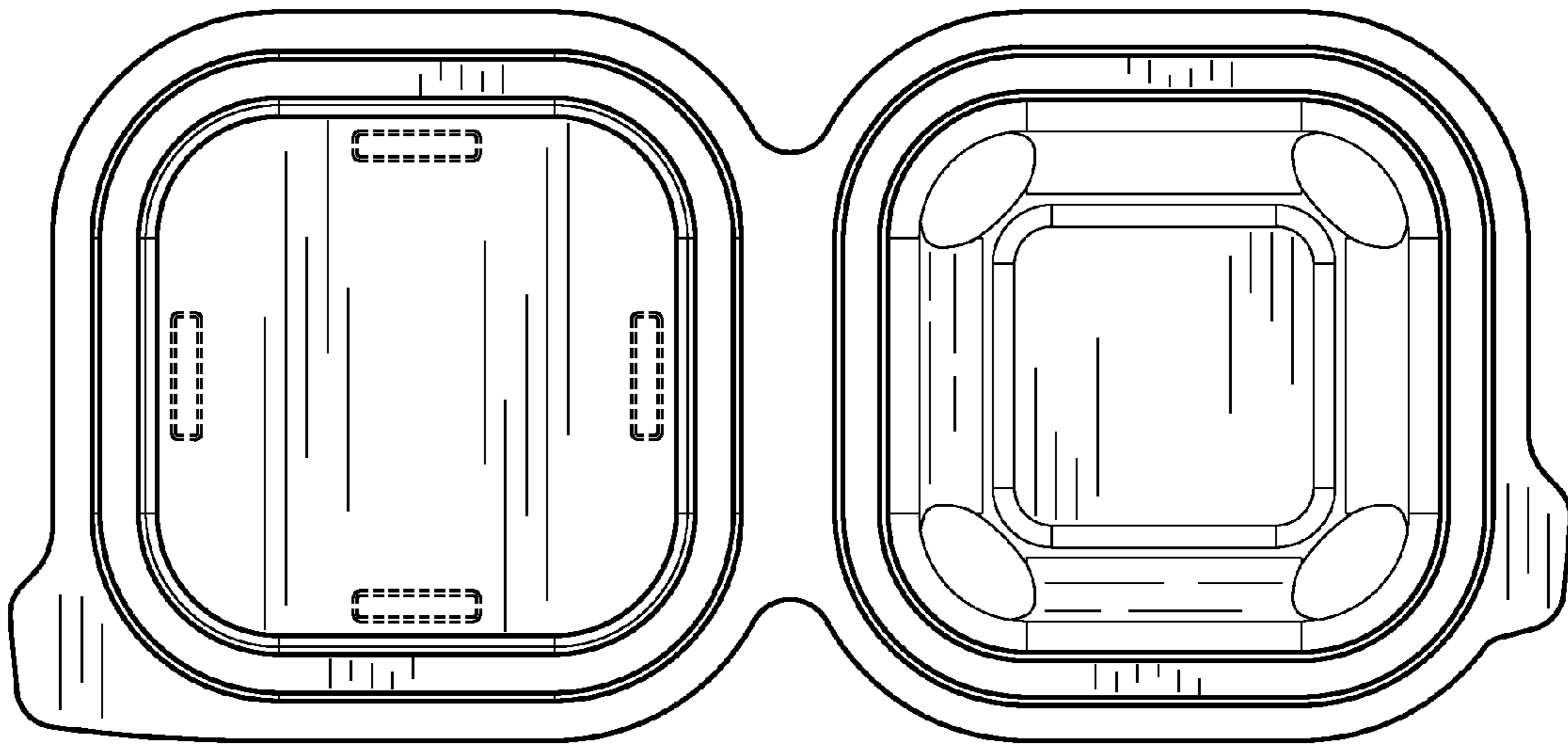


Fig. 4

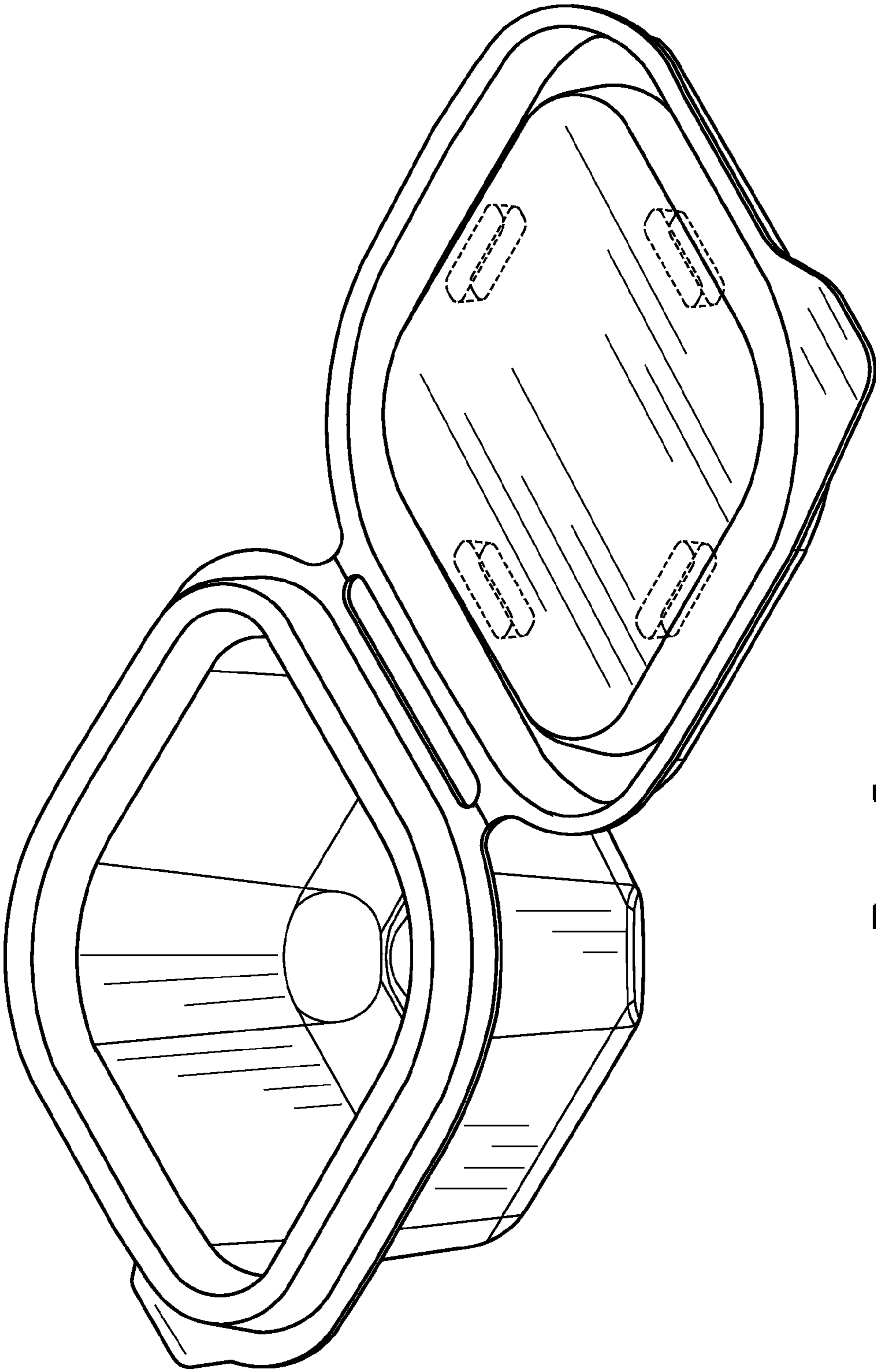


Fig. 5

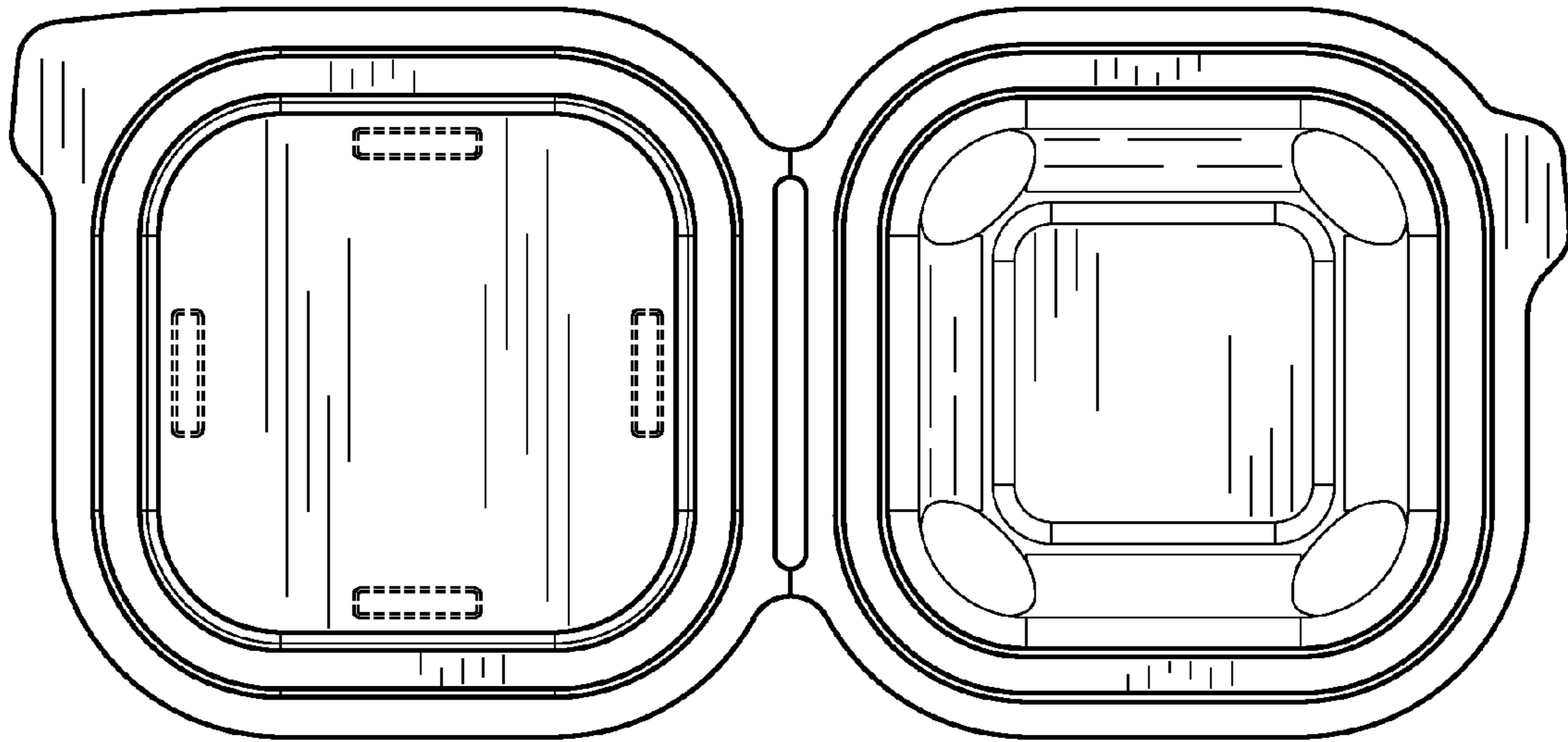


Fig. 6

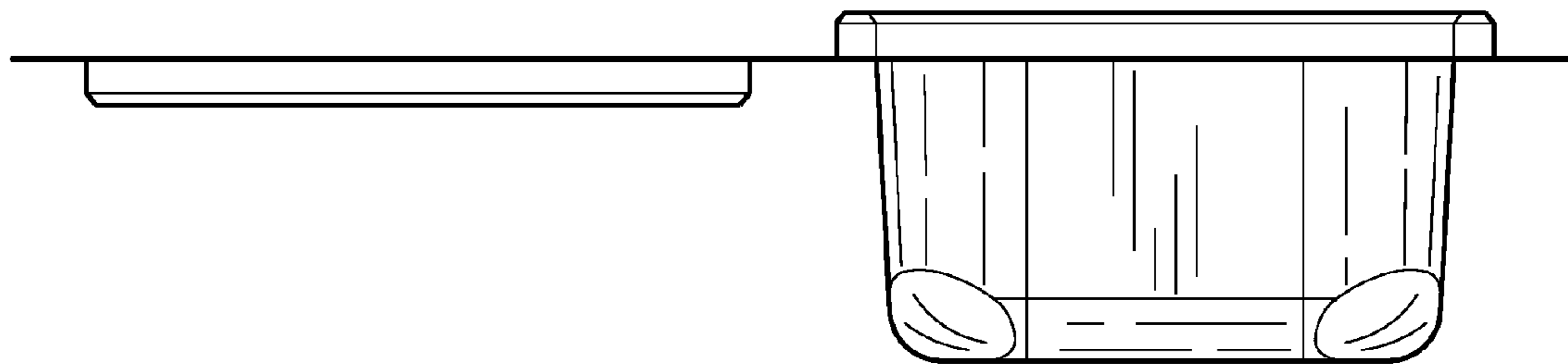


Fig. 7

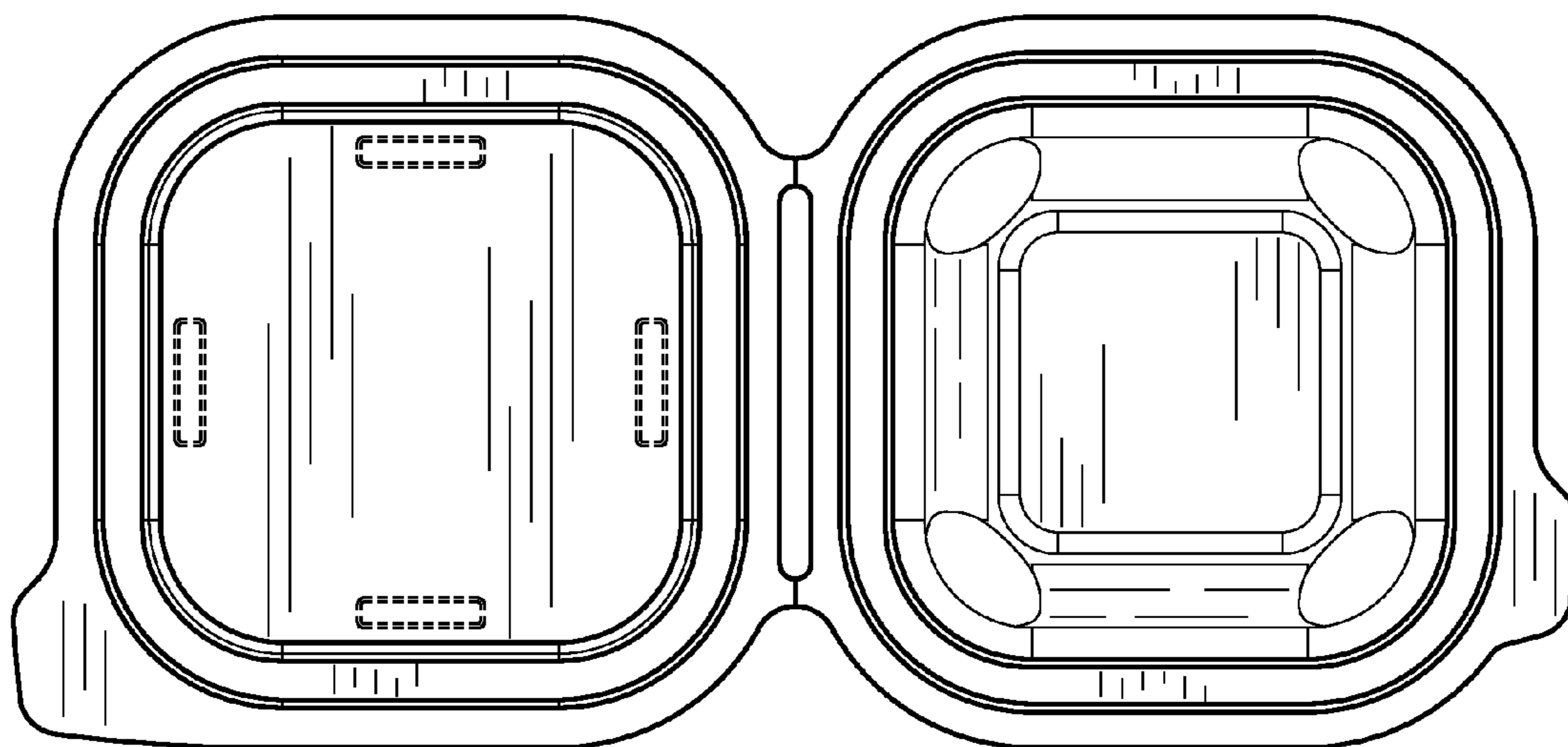


Fig. 8