



US00D645735S

(12) **United States Design Patent**  
**Clark et al.**

(10) **Patent No.:** **US D645,735 S**  
(45) **Date of Patent:** **\*\* Sep. 27, 2011**

- (54) **CLOSABLE PRODUCT PACKAGE**
- (75) Inventors: **Kerri Clark**, Morristown, NJ (US);  
**Allen Sydney Aldridge**, South Orange,  
NJ (US); **Brian Hawthorne**, Jersey City,  
NJ (US); **Simon Richard Gainey**,  
Media, PA (US)
- (73) Assignee: **Kraft Foods Global Brands LLC**,  
Northfield, IL (US)
- (\*\*) Term: **14 Years**
- (21) Appl. No.: **29/378,092**

5,579,905 A	12/1996	Ingber et al.	
D381,692 S *	7/1997	Lovell .....	D19/91
D386,677 S	11/1997	Abiteboul	
5,762,263 A	6/1998	Chamberlain, IV	
5,772,022 A	6/1998	Renna	
D431,775 S *	10/2000	Plattner et al. ....	D9/415
6,247,729 B1	6/2001	Kaufman	
RE37,362 E	9/2001	D'Andrea	
D512,304 S *	12/2005	Aldridge .....	D9/422
7,036,665 B1	5/2006	Gyr	
7,159,717 B2 *	1/2007	Aldridge et al. ....	206/449
D540,668 S *	4/2007	Aldridge .....	D9/434
7,325,686 B2	2/2008	Aldridge	
D582,268 S *	12/2008	Zanaletti .....	D9/432
D592,047 S *	5/2009	Glass .....	D9/423
7,527,189 B2	5/2009	Billig et al.	

(Continued)

- (22) Filed: **Oct. 29, 2010**
- (51) **LOC (9) Cl.** ..... **09-03**
- (52) **U.S. Cl.** ..... **D9/423**
- (58) **Field of Classification Search** ..... D9/414,  
D9/416, 420, 422, 423, 432, 433, 499, 337;  
206/5, 5.1, 37, 232, 308.1-308.3, 307, 316.1,  
206/372, 387.13, 425, 449, 450, 472-476,  
206/493, 494, 527, 734; 229/87.18, 126,  
229/19, 800; 220/890, 100, 123, 124, 125;  
D3/218, 273; D6/407, 626, 632  
See application file for complete search history.

**FOREIGN PATENT DOCUMENTS**

- WO 98/51590 11/1998
- Primary Examiner* — Thomas Johannes
- (74) *Attorney, Agent, or Firm* — Hoffmann & Baron, LLP

- (57) **CLAIM**  
The ornamental design for a closable product package, as shown and described.

**DESCRIPTION**

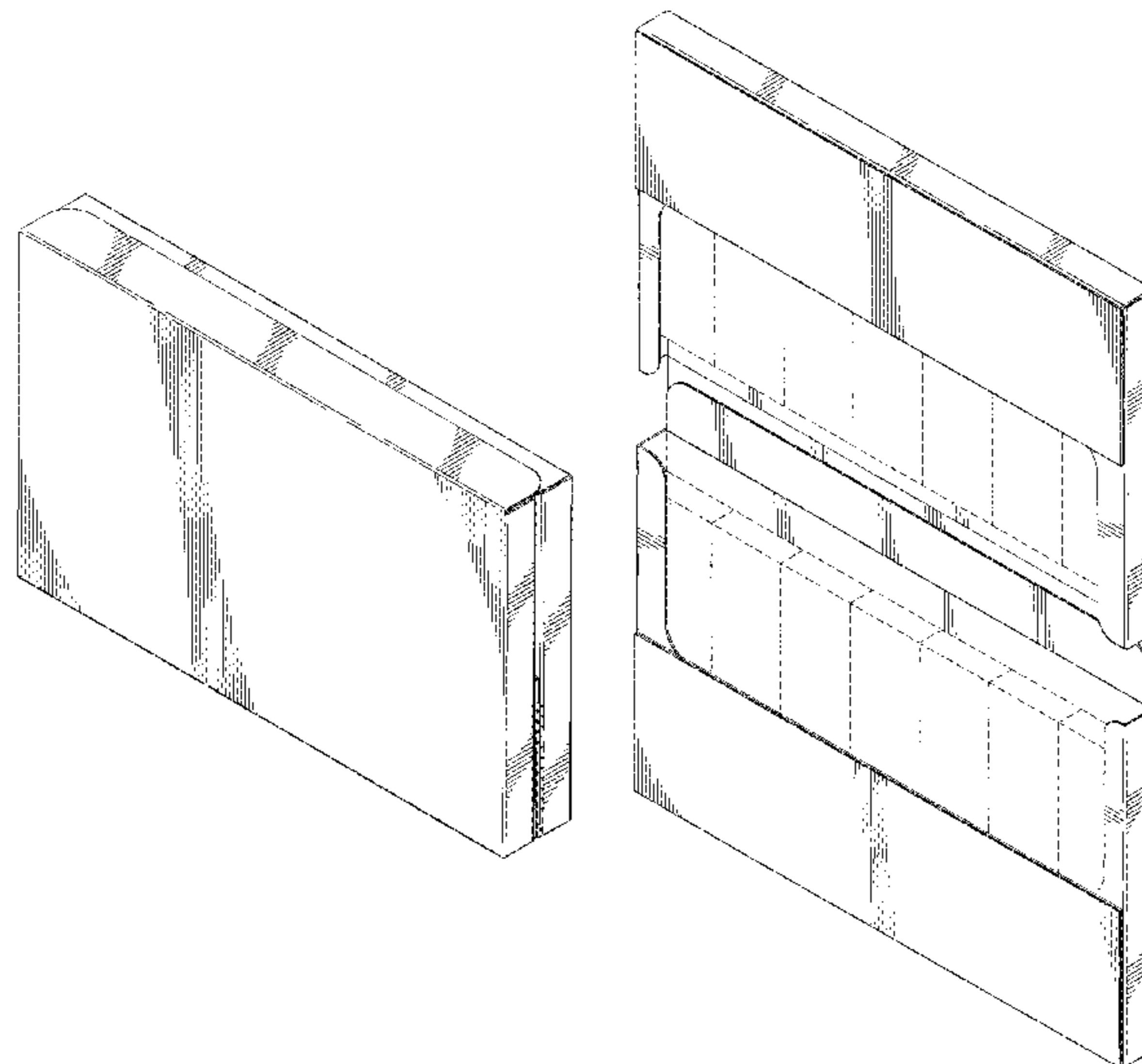
FIG. 1 is a front perspective view of a closable product package showing our new design;  
 FIG. 2 is a front elevational view thereof;  
 FIG. 3 is an end elevational view thereof;  
 FIG. 4 is a rear elevational view thereof;  
 FIG. 5 is a side end elevational view thereof;  
 FIG. 6 is an opposite side end elevational view thereof; and,  
 FIG. 7 is a perspective view thereof in an opened usage condition.  
 The broken line portion of FIG. 7 is included to show unclaimed subject matter and forms no part of the claimed design.

**1 Claim, 3 Drawing Sheets**

(56) **References Cited**

**U.S. PATENT DOCUMENTS**

1,063,894 A	6/1913	Smith	
1,709,685 A	4/1929	Rothrock	
2,754,867 A *	7/1956	Langer .....	206/278
2,874,707 A	2/1959	Koppel	
3,749,301 A	7/1973	Peckar	
3,755,925 A	9/1973	Court	
3,835,987 A	9/1974	Growney	
4,902,141 A	2/1990	Linnewiel	
5,125,211 A	6/1992	O'Brien et al.	
5,148,916 A	9/1992	Tillyer, Sr.	
5,248,037 A	9/1993	Kornberg et al.	
5,407,076 A	4/1995	Sabet	
5,573,438 A	11/1996	D'Andrea	



# US D645,735 S

Page 2

---

## U.S. PATENT DOCUMENTS

D594,323	S	*	6/2009	Friedman et al. ....	D9/423	2007/0209954	A1	9/2007	Aldridge et al.	
7,569,008	B2	*	8/2009	Aldridge et al. ....	206/449	2009/0211938	A1*	8/2009	Aldridge .....	206/526
7,629,046	B2		12/2009	van Driesten		2010/0206757	A1	8/2010	Kesselman	
D619,454	S	*	7/2010	Fluegel et al. ....	D9/423	2010/0270303	A1	10/2010	Kesselman et al.	

\* cited by examiner

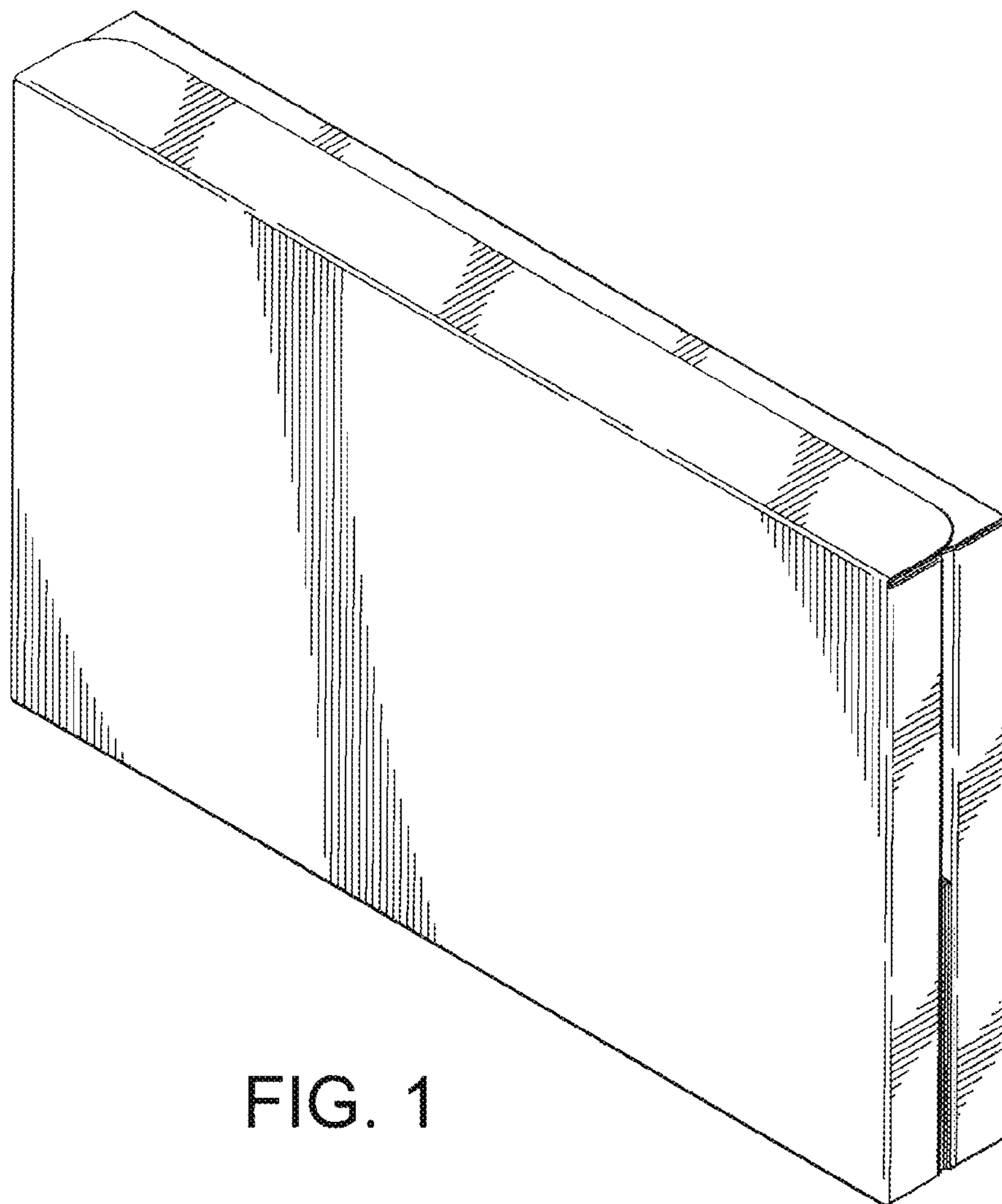


FIG. 1

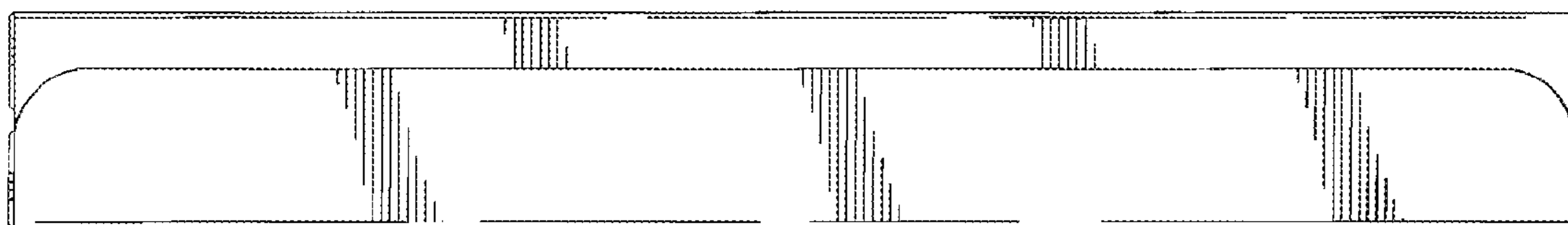


FIG. 5

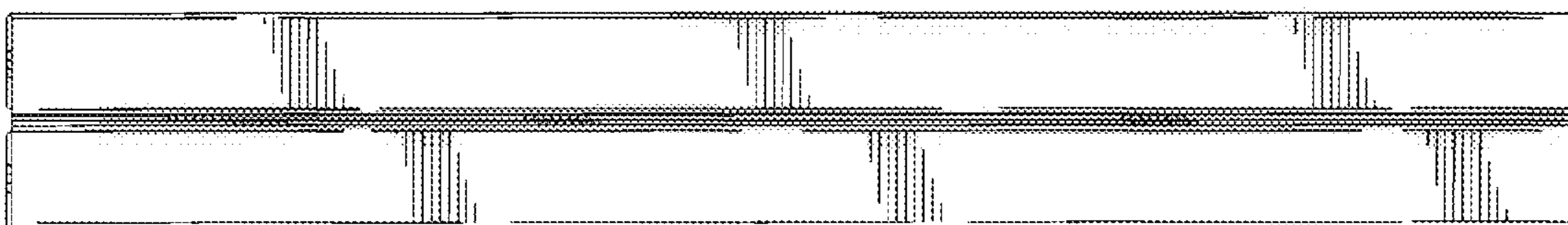


FIG. 6

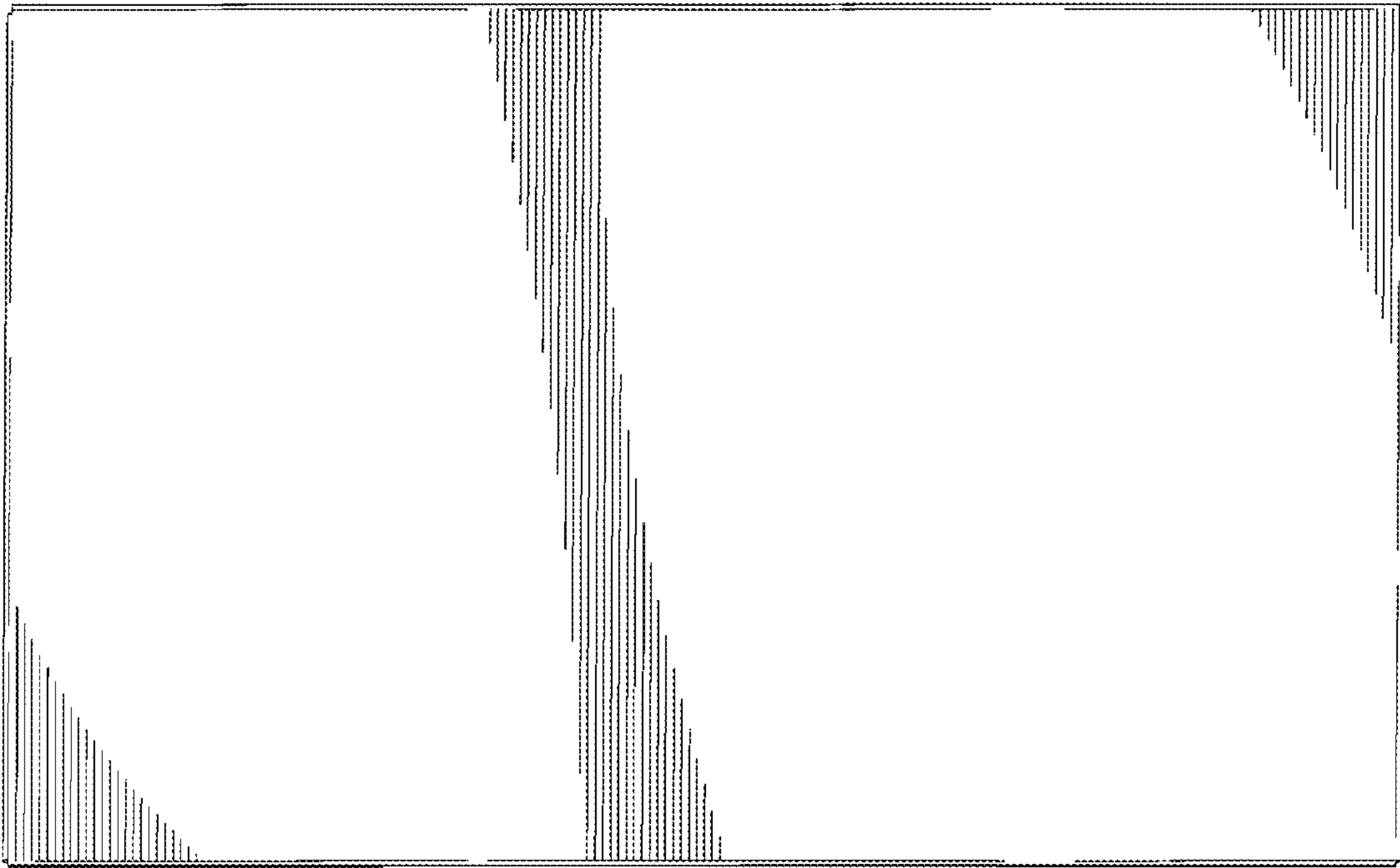


FIG. 2

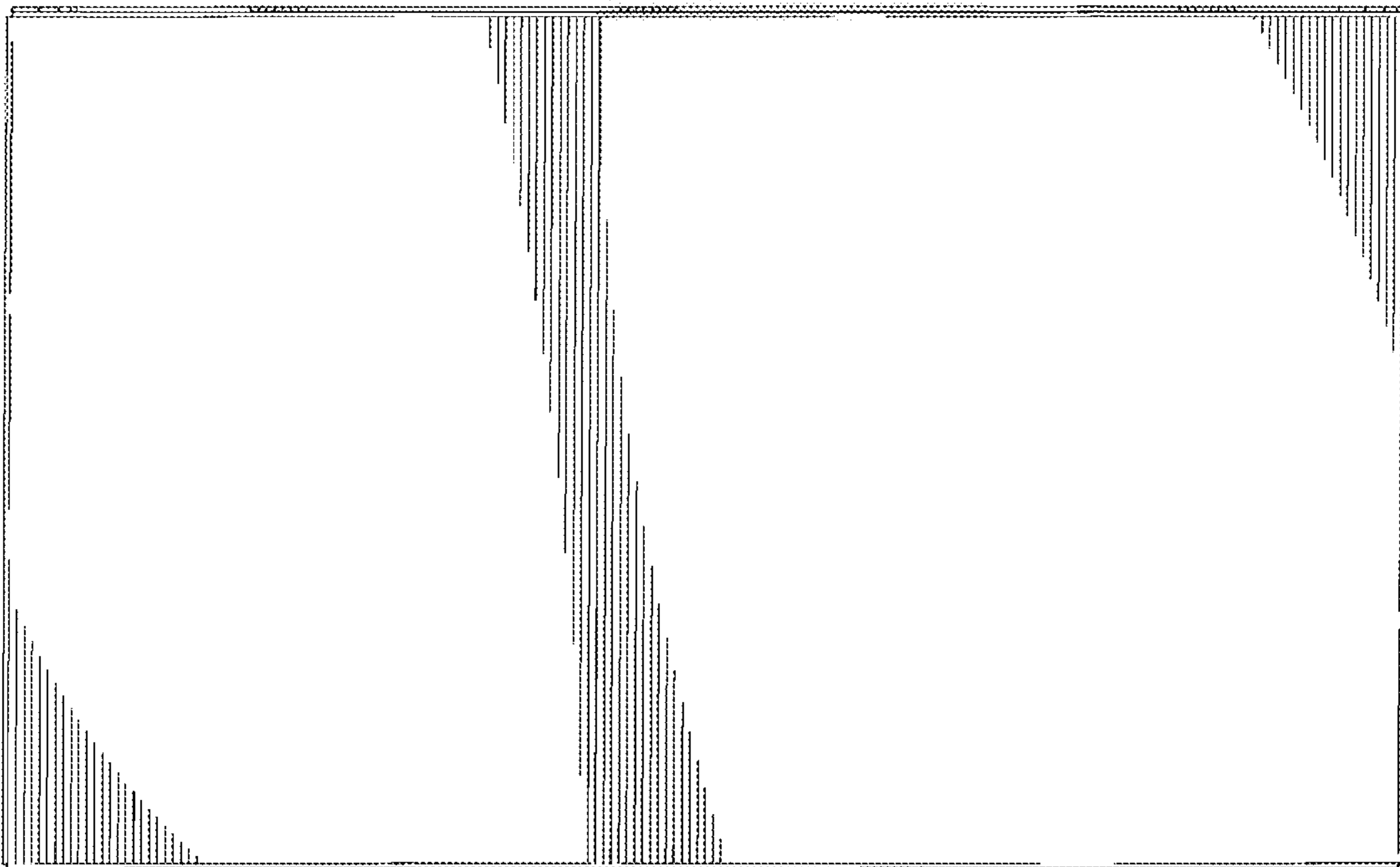


FIG. 4

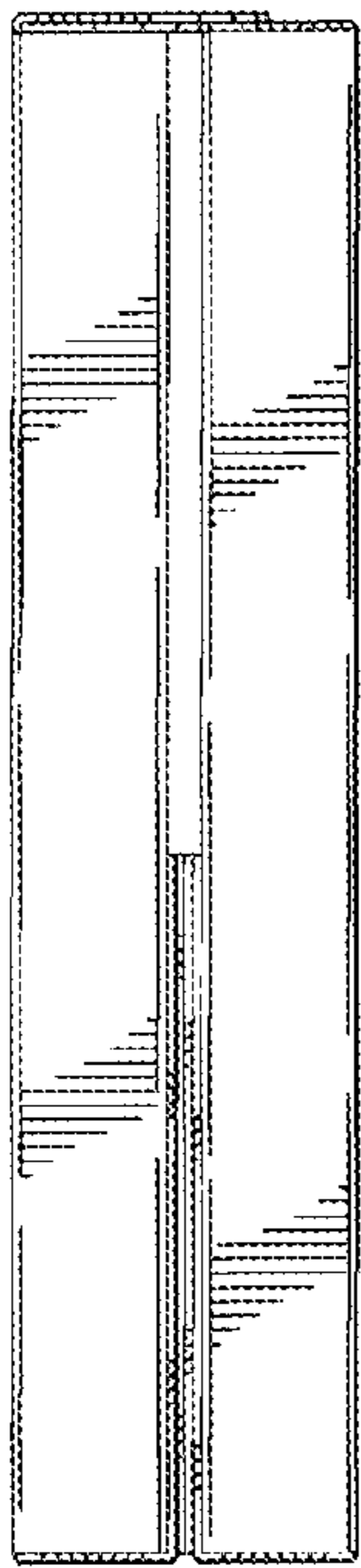


FIG. 3

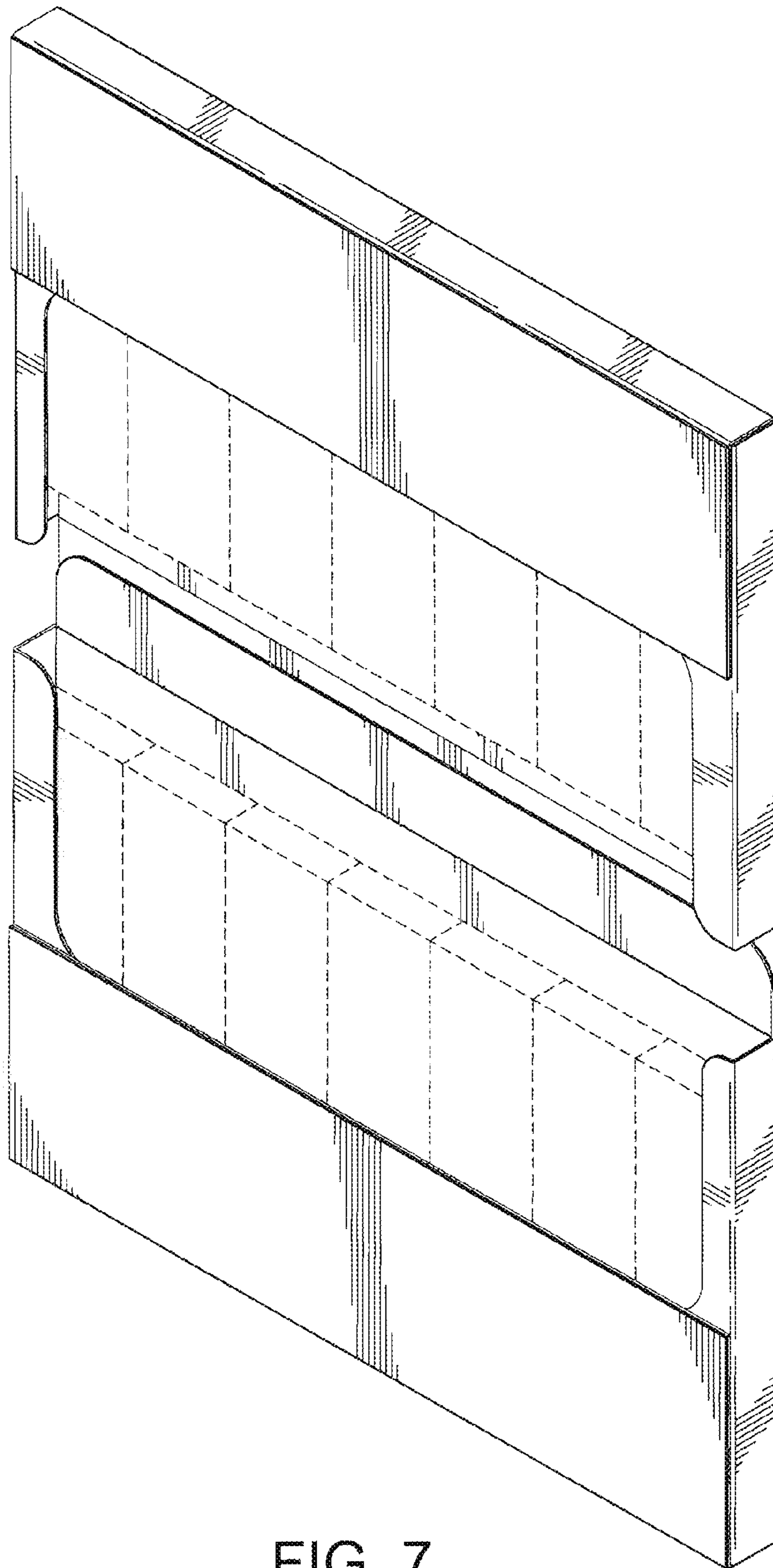


FIG. 7