



US00D645734S

(12) **United States Design Patent**
Eason et al.

(10) **Patent No.:** **US D645,734 S**
(45) **Date of Patent:** **** *Sep. 27, 2011**

(54) **DISPENSER**

(75) Inventors: **Stephen William Eason**, Redgrave Diss (GB); **Roger William Clarke**, Histon (GB); **Matthew Wright**, Newmarket (GB)

(73) Assignee: **Vectura Delivery Devices Limited**, Chippenham (GB)

(**) Term: **14 Years**

(21) Appl. No.: **29/341,208**

(22) Filed: **Jul. 31, 2009**

Related U.S. Application Data

(63) Continuation-in-part of application No. 29/274,463, filed on Apr. 26, 2007, now Pat. No. Des. 623,054, which is a continuation-in-part of application No. 29/268,017, filed on Oct. 27, 2006, now Pat. No. Des. 614,024.

(30) **Foreign Application Priority Data**

Apr. 28, 2006 (EM) 000521315

(51) **LOC (9) Cl.** **09-03**

(52) **U.S. Cl.** **D9/421; D9/730; D24/110**

(58) **Field of Classification Search** D9/730, D9/731, 732, 414, 417, 419, 420, 421, 529, D9/551, 564, 567; D19/35, 41, 67-69; D28/66; D24/107, 108, 110, 121, 133, 145, 188, 231; 128/200.11-200.23, 203.15, 203.21; 206/210, 206/222, 216, 225, 229, 363, 390, 409, 438, 206/570, 572, 820, 828

See application file for complete search history.

(56) **References Cited**

U.S. PATENT DOCUMENTS

5,165,391 A 11/1992 Chiesi et al.
D342,994 S 1/1994 Rand et al.

D355,029 S 1/1995 Kinneir et al.
D395,499 S 6/1998 Eisele et al.
D412,978 S 8/1999 Cameron
D450,117 S 11/2001 Braithwaite et al.
D452,910 S 1/2002 Braithwaite et al.
D493,576 S * 7/2004 Ward D28/66
D498,415 S 11/2004 Schuller et al.
D499,802 S 12/2004 Pinon et al.
D514,222 S 1/2006 Anderson et al.

(Continued)

FOREIGN PATENT DOCUMENTS

EM 000014782-0002 4/2003

(Continued)

OTHER PUBLICATIONS

Taiwan Search Report dated of completion Mar. 16, 2007.

Primary Examiner — Catherine Tuttle

(74) *Attorney, Agent, or Firm* — Venable LLP; Robert Kinberg; Kyle D. Petaja

(57) **CLAIM**

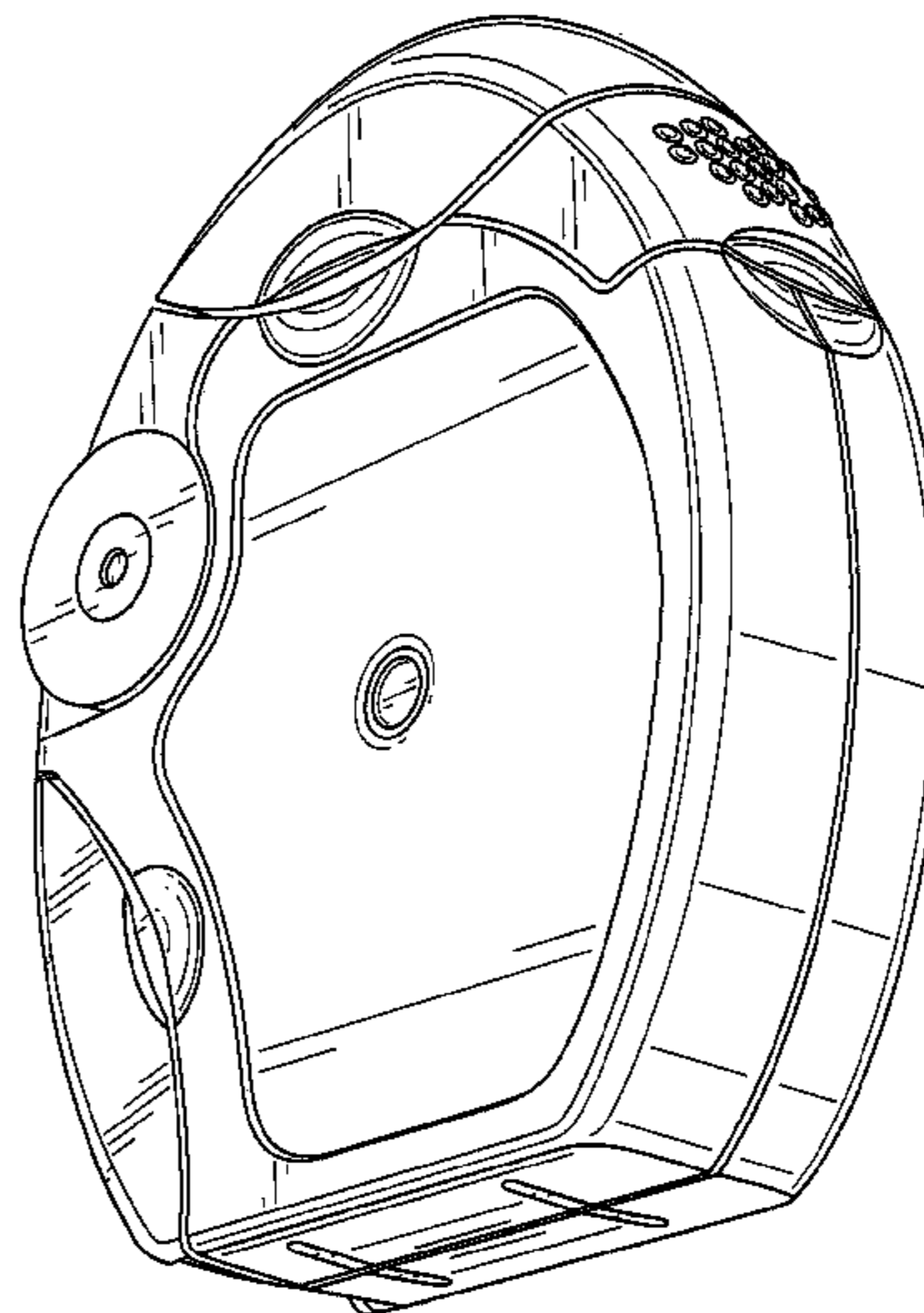
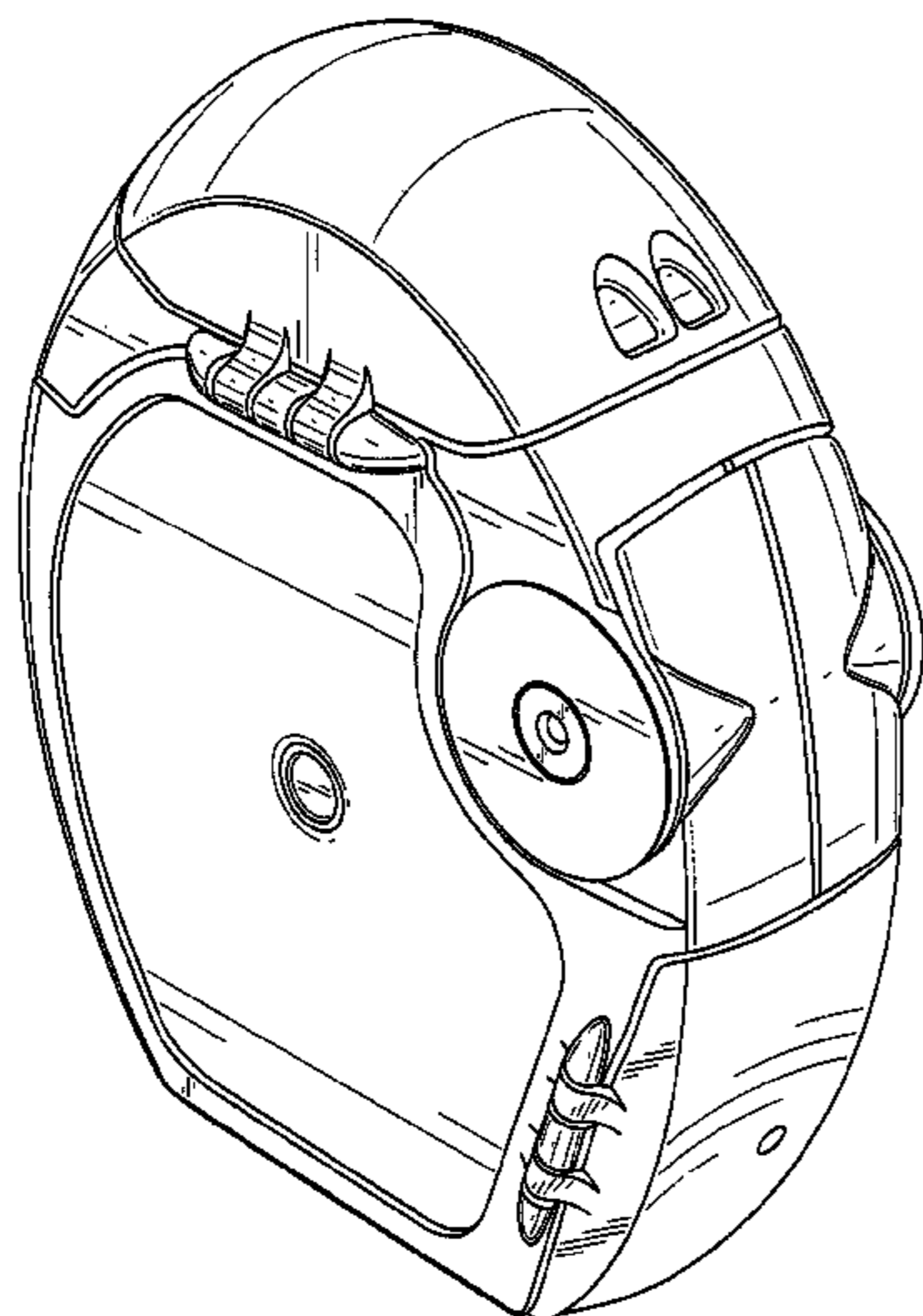
The ornamental design for a dispenser, as shown and described.

DESCRIPTION

FIG. 1 is a front, top and right perspective view of the dispenser showing our new design; FIG. 2 is a rear, bottom and left perspective view thereof; FIG. 3 is a front view thereof; FIG. 4 is a rear view thereof; FIG. 5 is a right view thereof; FIG. 6 is a left view thereof; FIG. 7 is a top view thereof; and, FIG. 8 is a bottom view thereof.

The broken lines are included for the purpose of illustrating a portion of the dispenser that forms no part of the claimed design.

1 Claim, 7 Drawing Sheets



US D645,734 S

Page 2

U.S. PATENT DOCUMENTS

D518,171	S	3/2006	Anderson et al.	
7,107,988	B2	9/2006	Pinon et al.	
D550,350	S	9/2007	Clarke et al.	
D557,798	S	12/2007	Greenhalgh et al.	
D557,799	S	12/2007	Greenhalgh et al.	
D560,793	S	1/2008	Pearl et al.	
D564,087	S	3/2008	Yodfat et al.	
D569,967	S	5/2008	Pearl et al.	
D576,724	S	9/2008	Jensen et al.	
D590,495	S	4/2009	Lulla et al.	
D590,938	S	4/2009	Lulla et al.	
D596,432	S *	7/2009	Sarkar et al.	D6/515
D605,044	S *	12/2009	Lablaine	D9/516
D613,395	S	4/2010	Nakao et al.	
D613,396	S	4/2010	Nakao et al.	
D613,397	S	4/2010	Nakao et al.	
D613,848	S	4/2010	Harvey et al.	
D614,024	S	4/2010	Eason et al.	
2006/0107949	A1	5/2006	Davies et al.	
2006/0157053	A1	7/2006	Barney et al.	
2006/0196504	A1	9/2006	Augustyn et al.	
2007/0137645	A1	6/2007	Eason et al.	
2007/0181123	A1	8/2007	Houzego	
2008/0196718	A1 *	8/2008	Connell et al.	128/203.15
2009/0007907	A1 *	1/2009	Eason et al.	128/203.15

FOREIGN PATENT DOCUMENTS

EM	000014782-0003	4/2003
EM	000014782-0004	4/2003
EM	000014782-0005	4/2003
EM	000014782-0006	4/2003
EM	000105044-0002	* 2/2004
EM	000281316-0002	1/2005
EM	000472469-0001	* 3/2006
EM	000575832-0004	* 9/2006
EM	000831730-0001	* 12/2007
GB	1044214	8/1987
GB	3007821	10/2002
GB	3007822	10/2002
GB	3009649	12/2002
JP	D1213934	6/2004
KP	30-1992-0000433	1/1992
KP	30-2004-0003019	2/2004
TW	401169	5/1987
TW	D103462	3/2005
TW	D103812	3/2005
WO	DM/053443	10/2000
WO	D070238-001	* 7/2008

* cited by examiner

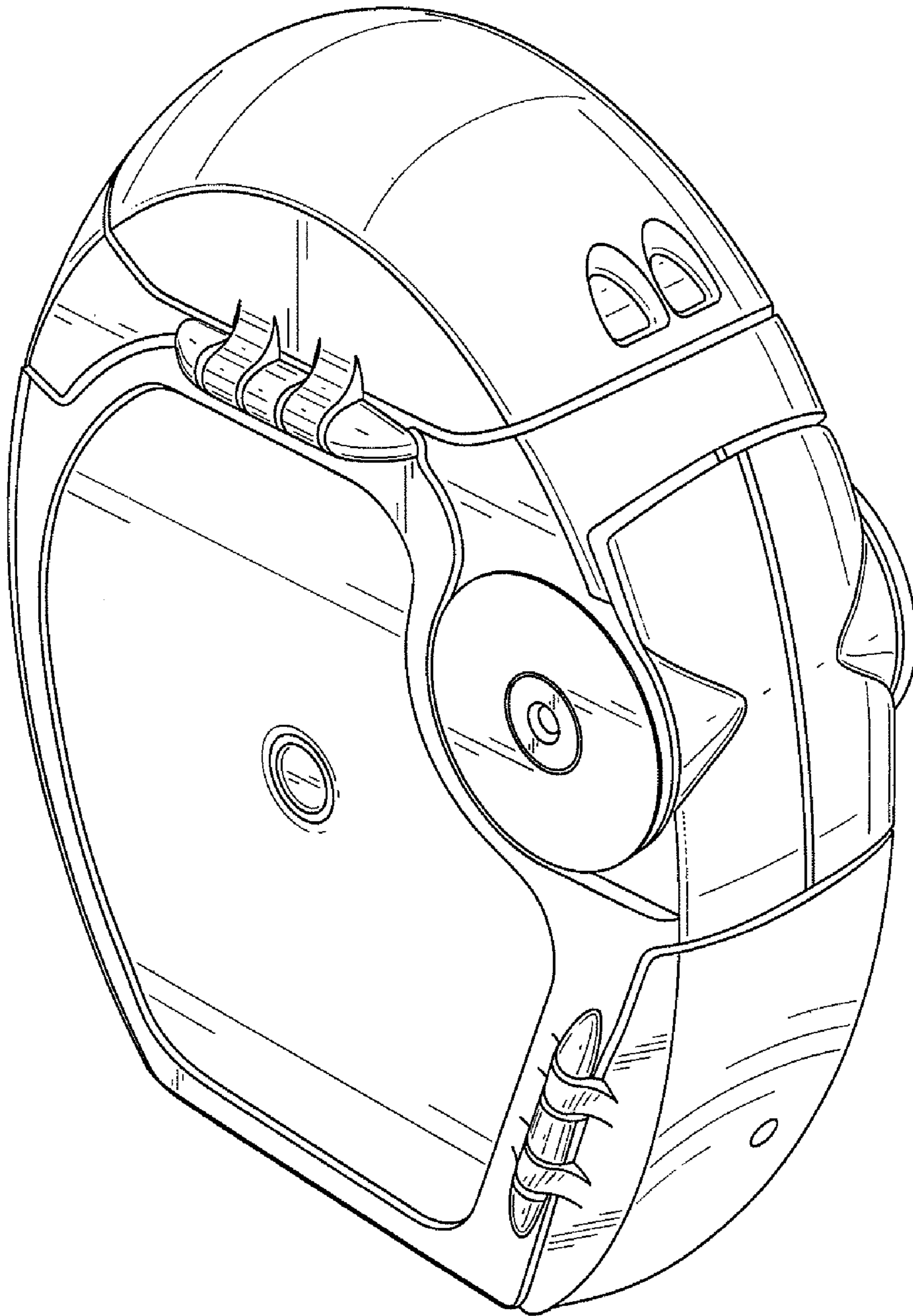


FIG. 1

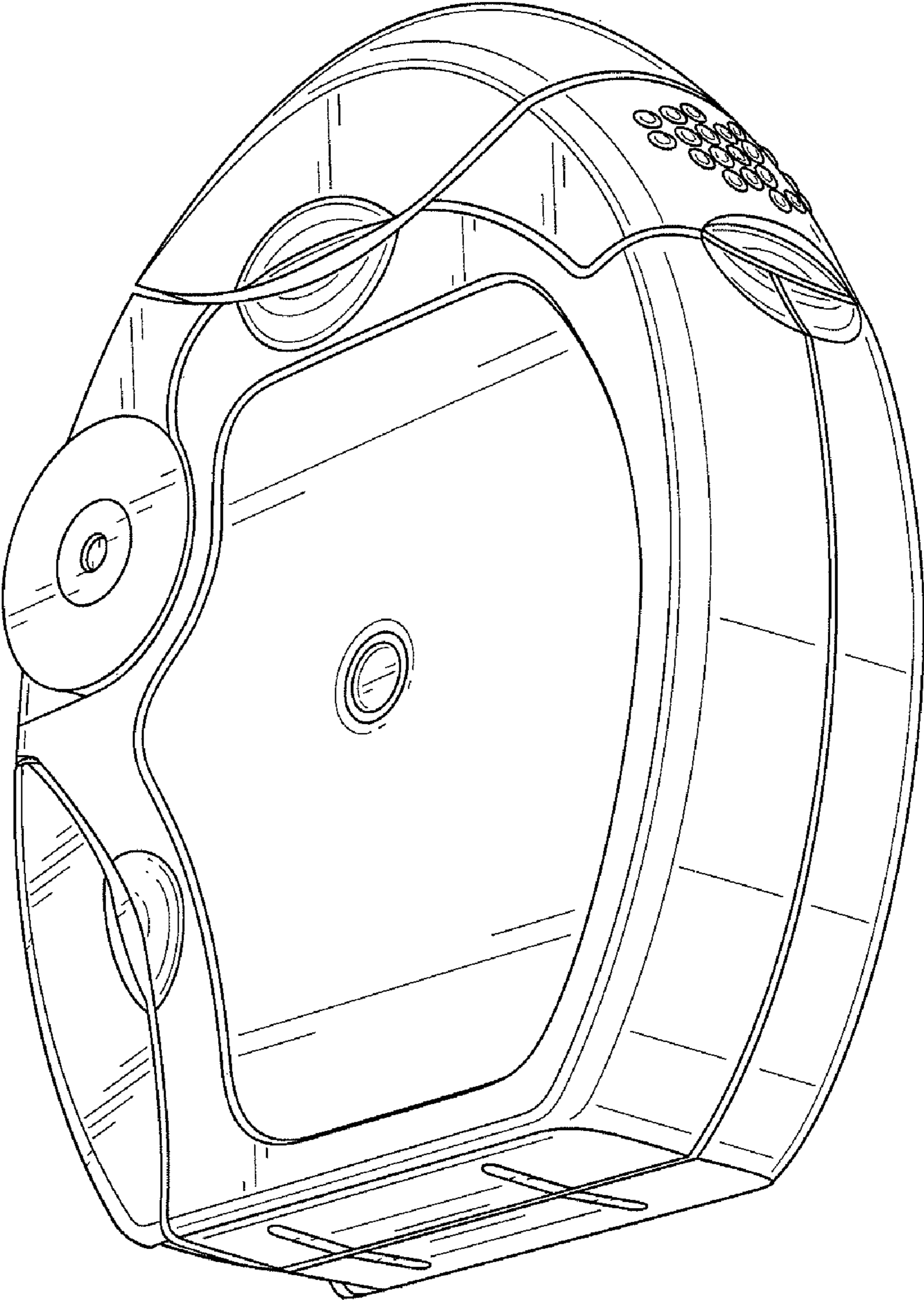


FIG. 2

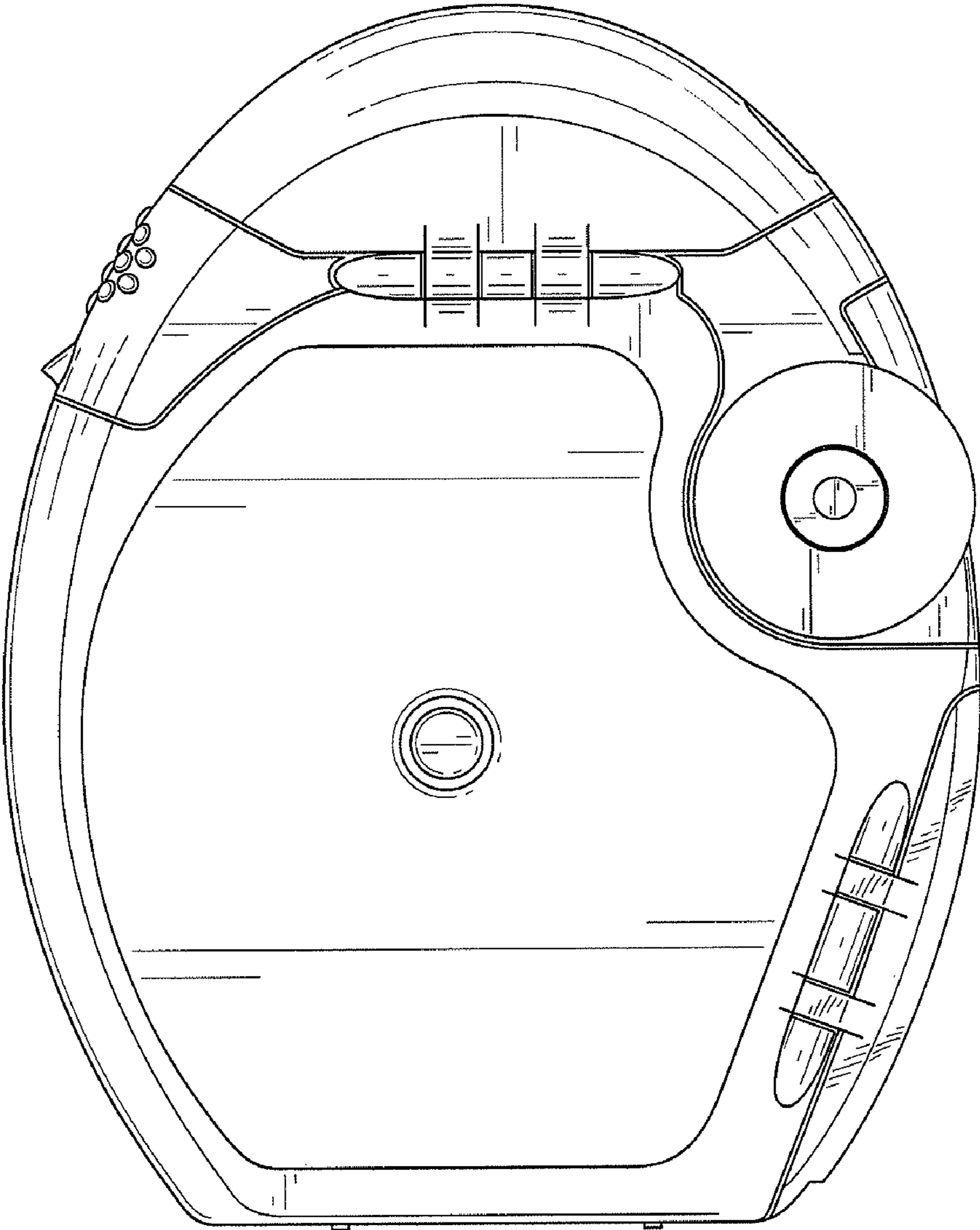


FIG. 3

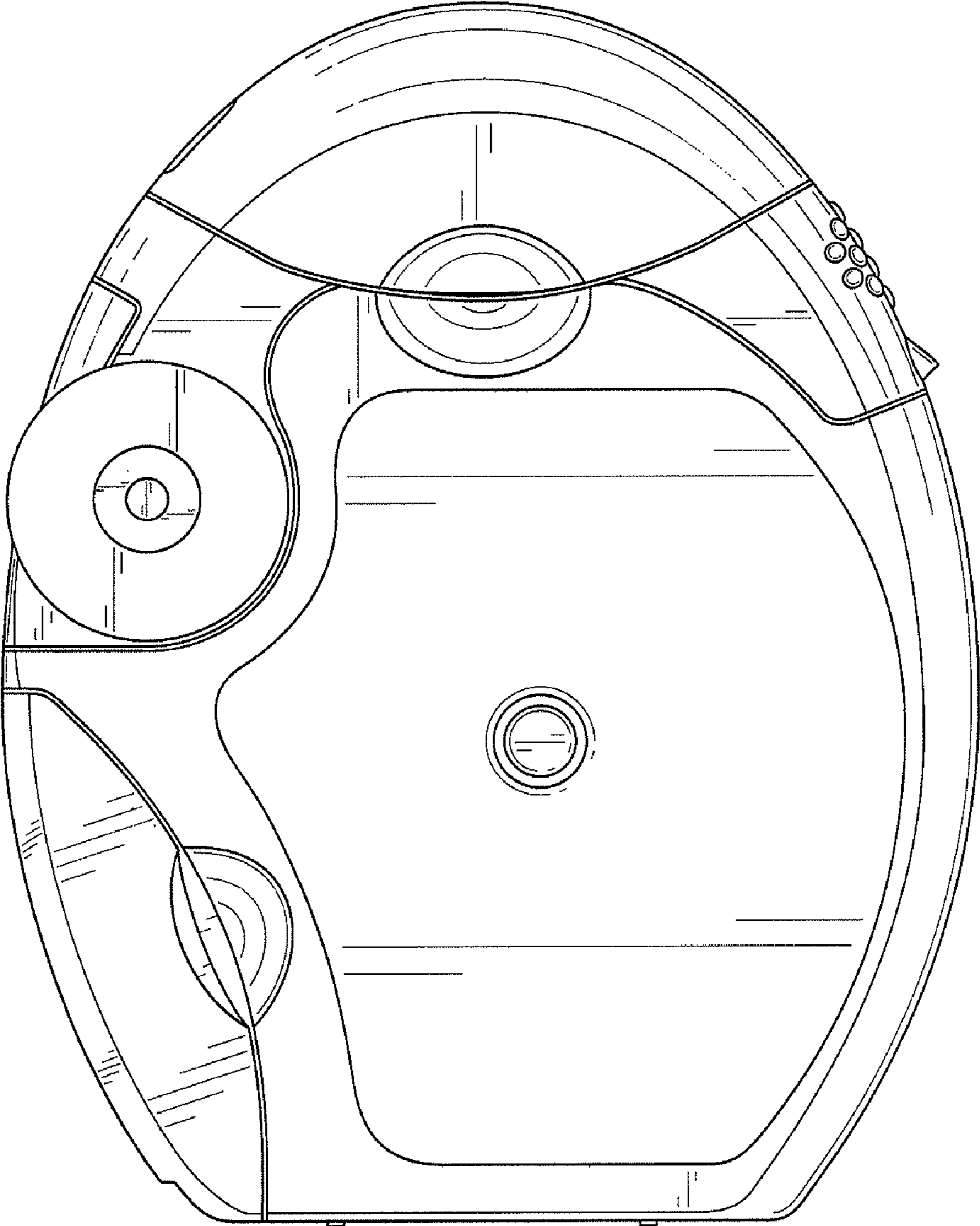


FIG. 4

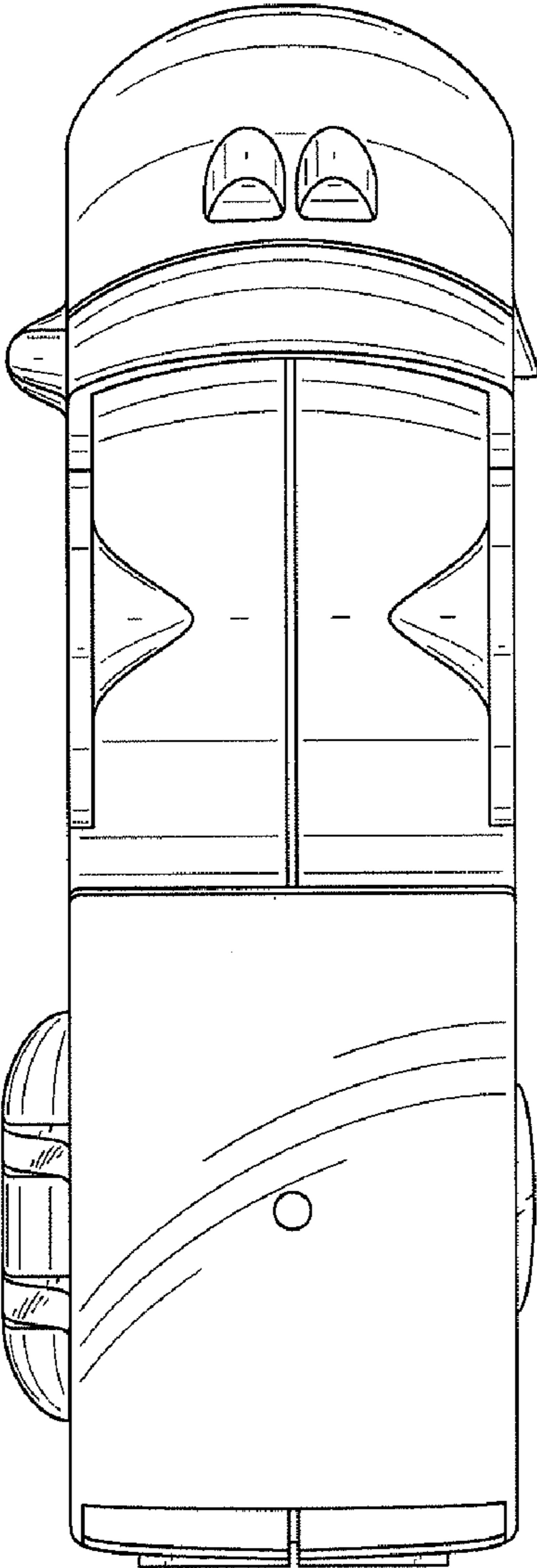


FIG. 5

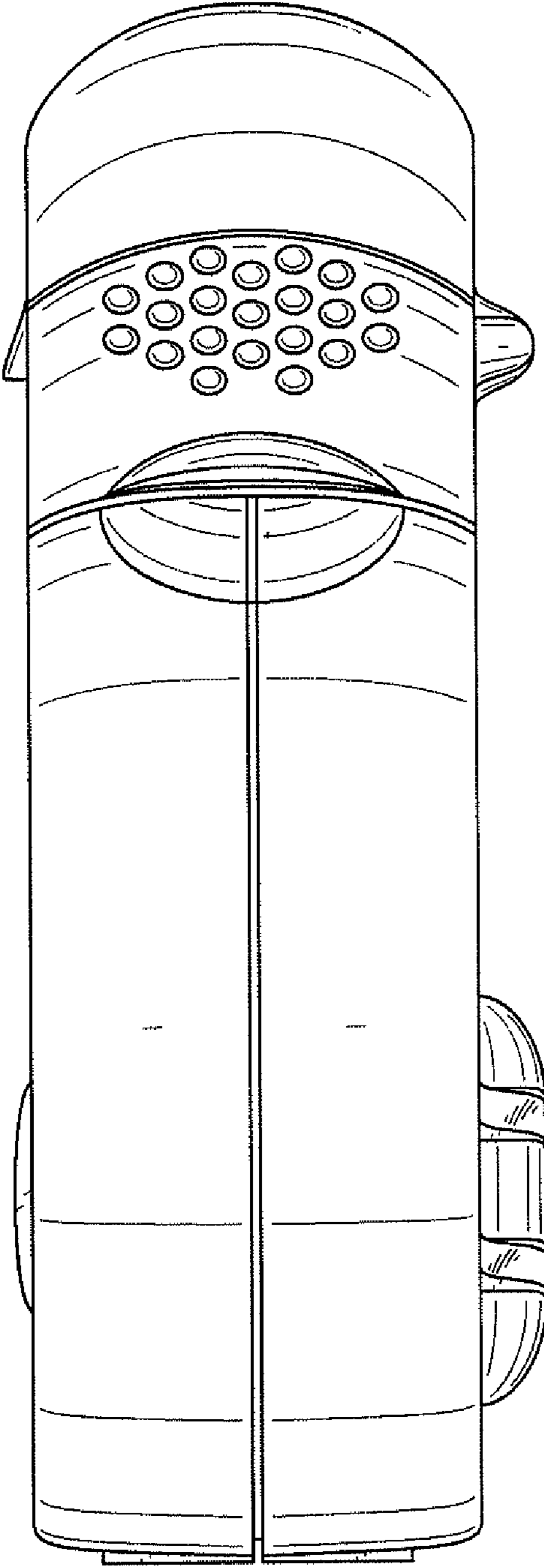


FIG. 6

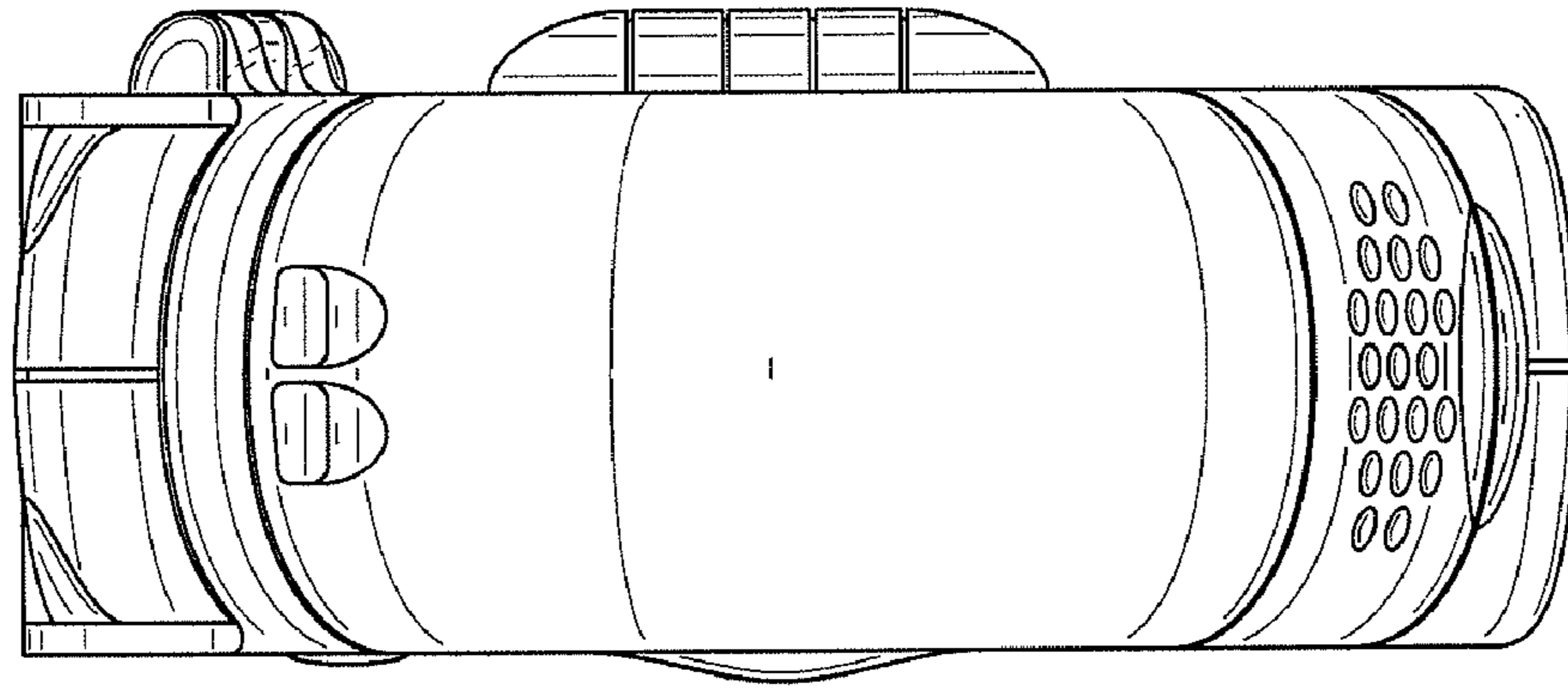


FIG. 7

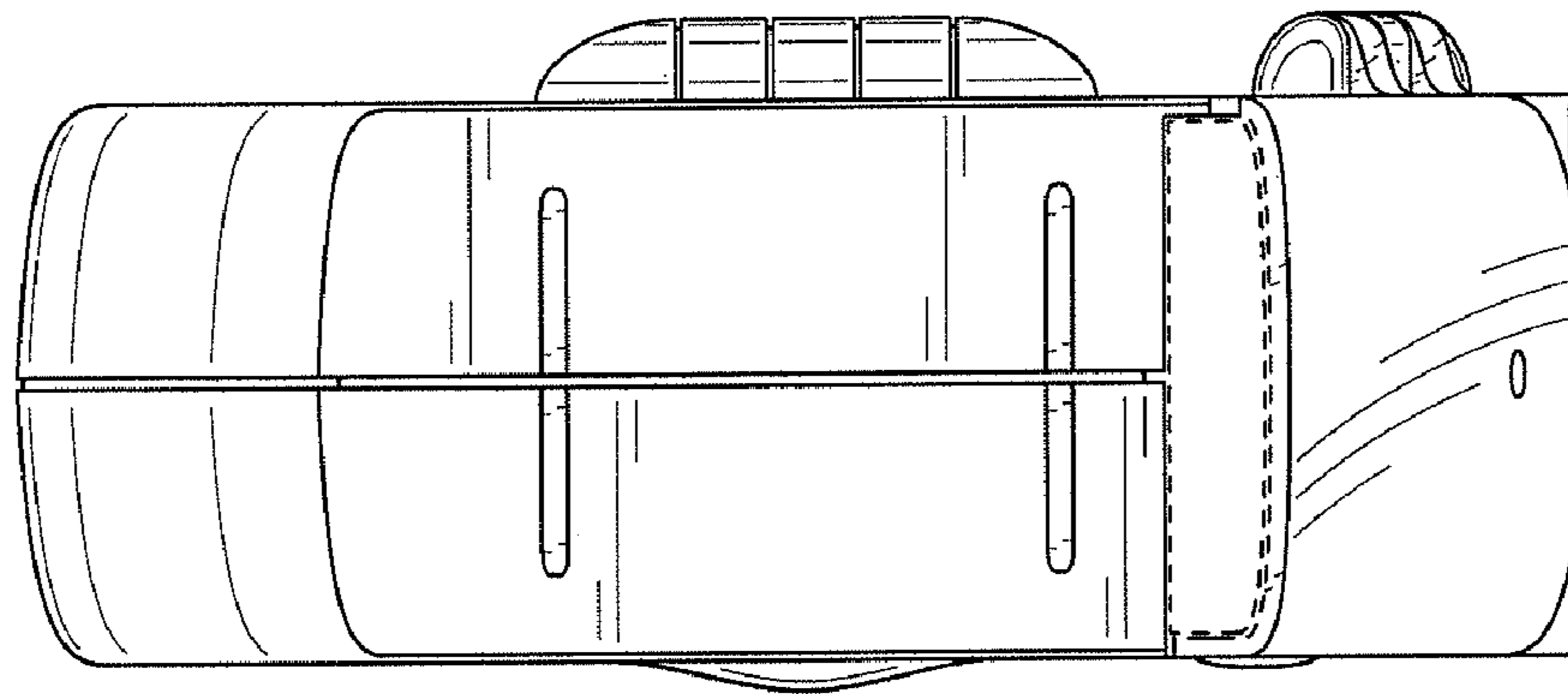


FIG. 8