



US00D645733S

(12) **United States Design Patent**  
**Holtan**

(10) **Patent No.:** **US D645,733 S**

(45) **Date of Patent:** **\*\* Sep. 27, 2011**

(54) **HAND TOOL PACKAGING**

(75) Inventor: **Mark Holtan**, Centennial, CO (US)

(73) Assignee: **Meridian International Co., Ltd.** (CN)

(\*\*) Term: **14 Years**

(21) Appl. No.: **29/384,782**

(22) Filed: **Feb. 3, 2011**

(51) **LOC (9) Cl.** ..... **09-03**

(52) **U.S. Cl.** ..... **D9/415; D9/737**

(58) **Field of Classification Search** ..... D9/715,  
D9/718, 721, 722, 737, 748, 758, 414-435;  
206/461-471, 775, 779, 806, 206-212, 349-383,  
206/477-484; 211/13.1, 60.1, 70.1, 70.6  
See application file for complete search history.

(56) **References Cited**

**U.S. PATENT DOCUMENTS**

1,177,072	A	3/1916	Warman	
4,179,029	A *	12/1979	Fethke et al.	206/349
D276,893	S *	12/1984	Richards	D9/415
4,682,688	A	7/1987	Budert	
4,899,877	A	2/1990	Kiernan	
4,924,733	A	5/1990	McKenzie	
5,048,677	A *	9/1991	Pedracine	206/573
5,174,178	A	12/1992	Disston, Jr.	
5,279,417	A	1/1994	Seaton	
5,606,897	A	3/1997	Quinn	
5,740,706	A	4/1998	Tseng	
5,743,395	A	4/1998	Backer	
5,816,401	A	10/1998	Vasudeva et al.	
5,899,329	A	5/1999	Hu	
5,918,741	A	7/1999	Vasudeva	
6,079,298	A	6/2000	Gasperi et al.	
D441,286	S *	5/2001	Clarke	D9/415
6,237,451	B1	5/2001	Wei	
6,457,916	B2	10/2002	Wienhold	
6,464,840	B1	10/2002	McCann	
6,561,523	B1	5/2003	Wienhold	

D476,562	S *	7/2003	Vasudeva	D9/415
6,685,018	B1	2/2004	Chuan	
D505,619	S *	5/2005	Metaxatos	D9/415
6,899,222	B2 *	5/2005	Jones et al.	206/305
D506,130	S *	6/2005	Metaxatos	D9/415
7,344,026	B2 *	3/2008	Melgaard	206/349
D603,695	S *	11/2009	Stoelting	D9/415
D625,179	S *	10/2010	Gibson	D9/423

(Continued)

**FOREIGN PATENT DOCUMENTS**

CN 3598863 \* 1/2007

**OTHER PUBLICATIONS**

Apr. 18, 2011 USPTO Office Action from related U.S. Appl. No. 12/789,158.

(Continued)

*Primary Examiner* — Catherine Tuttle

(74) *Attorney, Agent, or Firm* — Jason R. Sytsma; Shuttleworth & Ingersoll, PLC

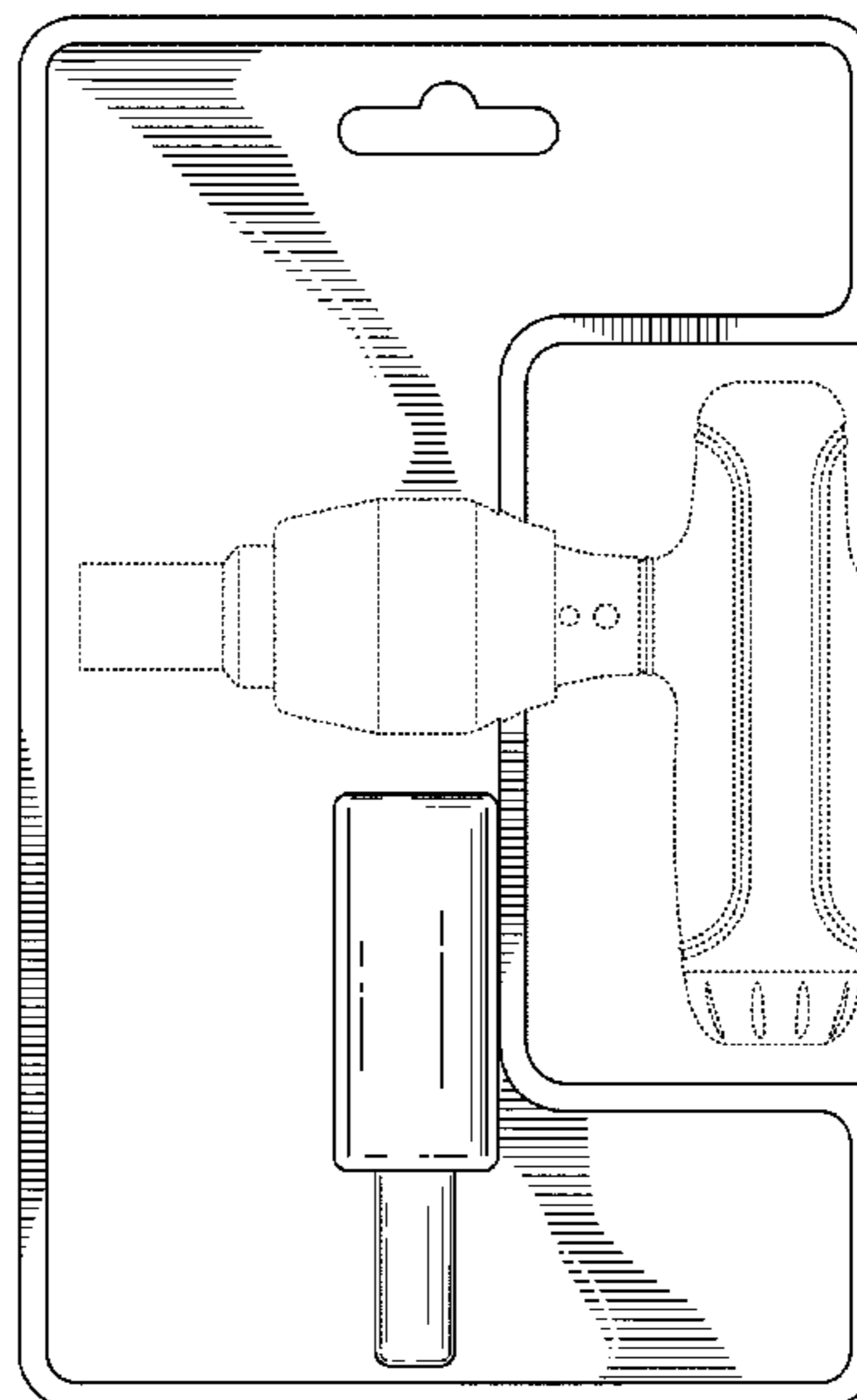
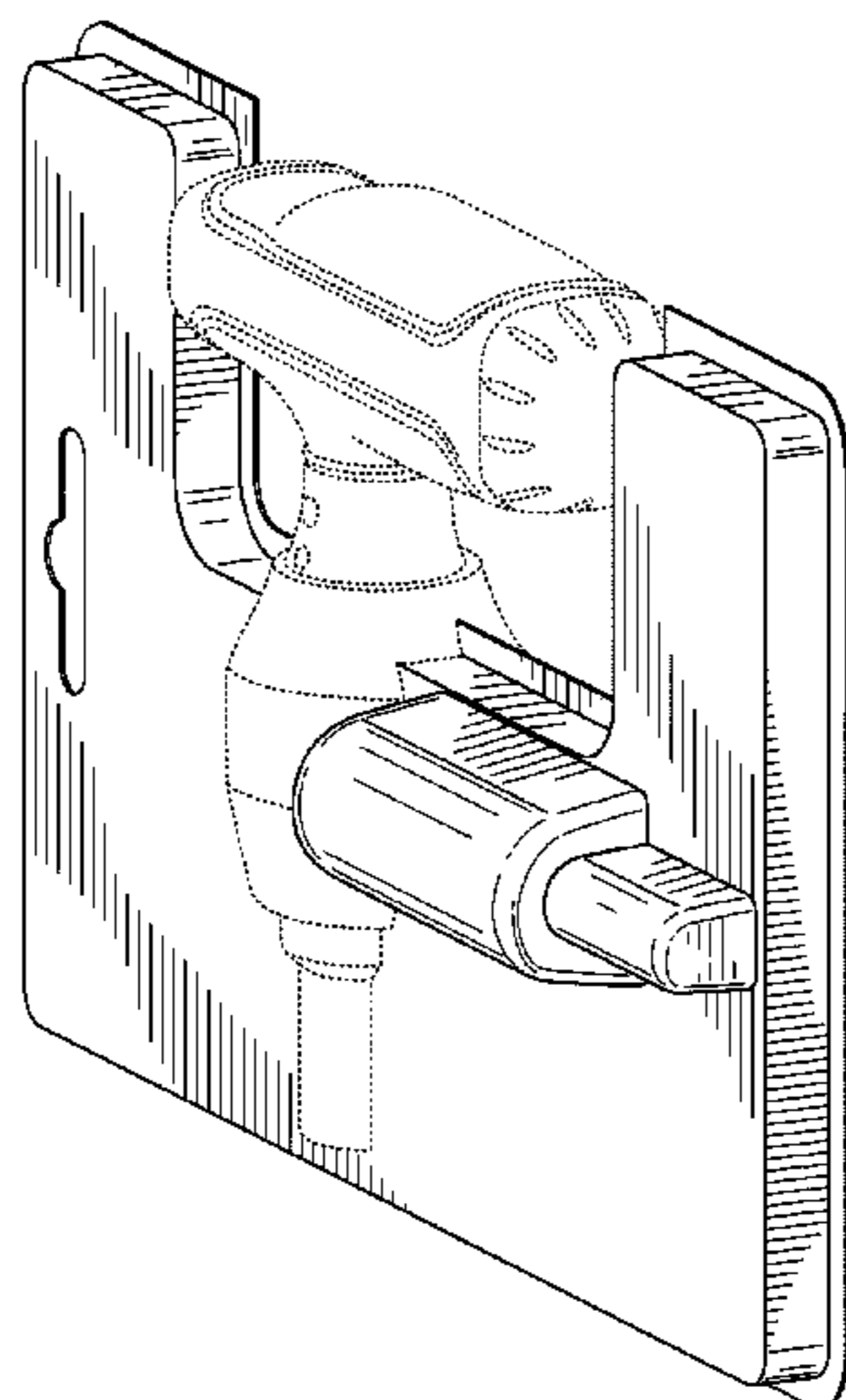
(57) **CLAIM**

The ornamental design for a hand tool packaging, as shown and described.

**DESCRIPTION**

FIG. 1 is a front and right side perspective view of the hand tool packaging showing my new design; FIG. 2 is a front view thereof; FIG. 3 is a back view thereof; FIG. 4 is a left side view thereof; FIG. 5 is a right side view thereof; FIG. 6 is a top view thereof; and, FIG. 7 is a bottom view thereof. The broken line showing of the hand tool is for illustrative purposes only and forms no part of the claimed design.

**1 Claim, 5 Drawing Sheets**



# US D645,733 S

Page 2

---

## U.S. PATENT DOCUMENTS

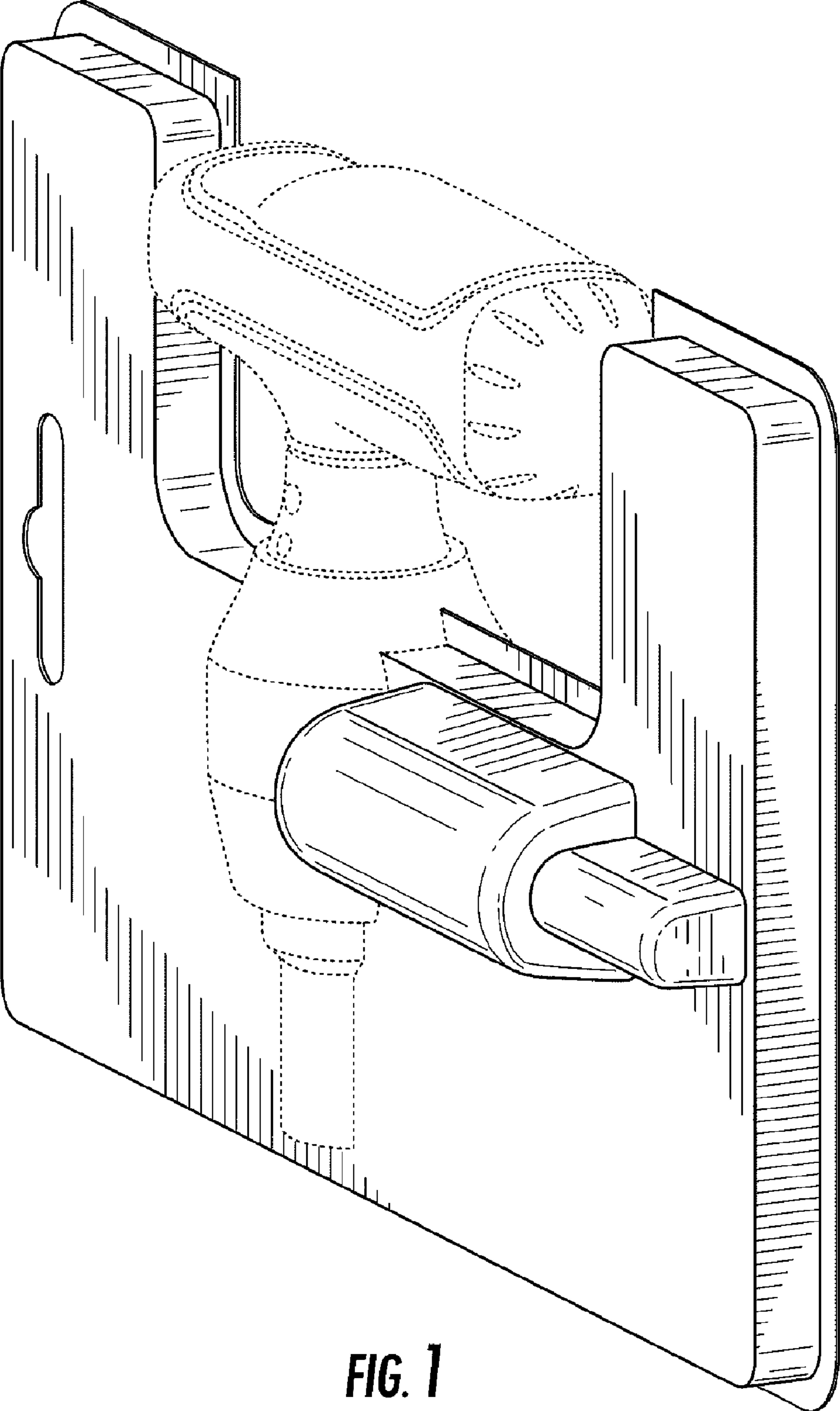
2002/0020537 A1 2/2002 Shonfeld et al.  
2002/0027092 A1 3/2002 Hu  
2004/0094444 A1 5/2004 Chen  
2004/0251153 A1 12/2004 Chen  
2005/0103680 A1\* 5/2005 Nakatsu et al. .... 206/704  
2005/0189250 A1 9/2005 Hsu  
2005/0247587 A1 11/2005 Holland-Letz  
2006/0260964 A1 11/2006 Feldmann  
2007/0023307 A1 2/2007 Liu  
2007/0095690 A1 5/2007 Nguy et al.  
2007/0163906 A1 7/2007 Crain  
2007/0228240 A1 10/2007 Kao  
2008/0110302 A1 5/2008 Liu

2009/0236250 A1 9/2009 Wang  
2009/0242443 A1 10/2009 Chen  
2010/0108552 A1 5/2010 Scrimshaw et al.

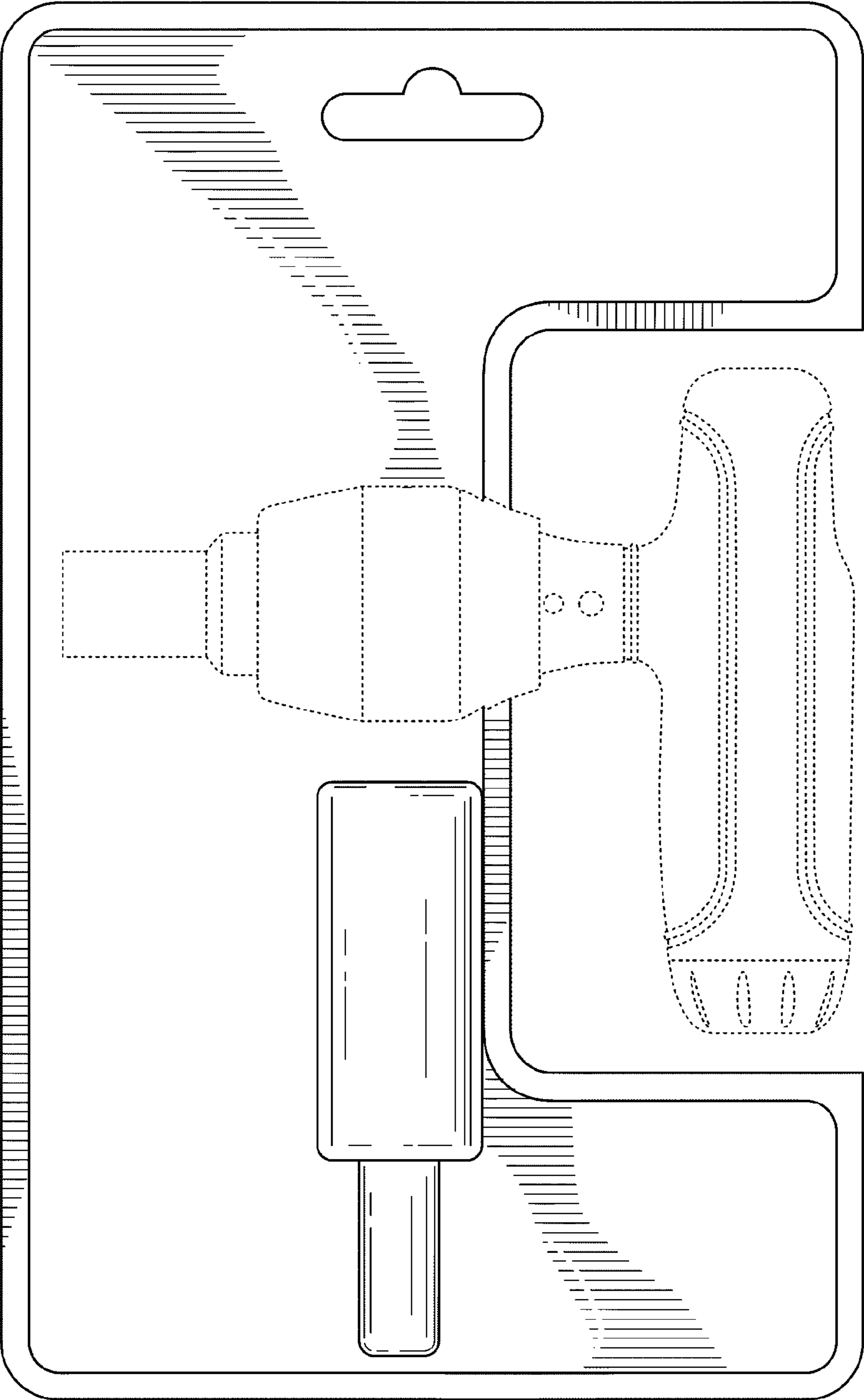
## OTHER PUBLICATIONS

Mar. 31, 2011 USPTO Office Action from related U.S. Appl. No. 12/605,600.  
Jul. 9, 2010 USPTO Office Action from related U.S. Appl. No. 12/605,600.  
European Search Report dated Oct. 25, 2010 from counterpart European application.  
Oct. 28, 2010 USPTO Office Action from related U.S. Appl. No. 12/789,158.

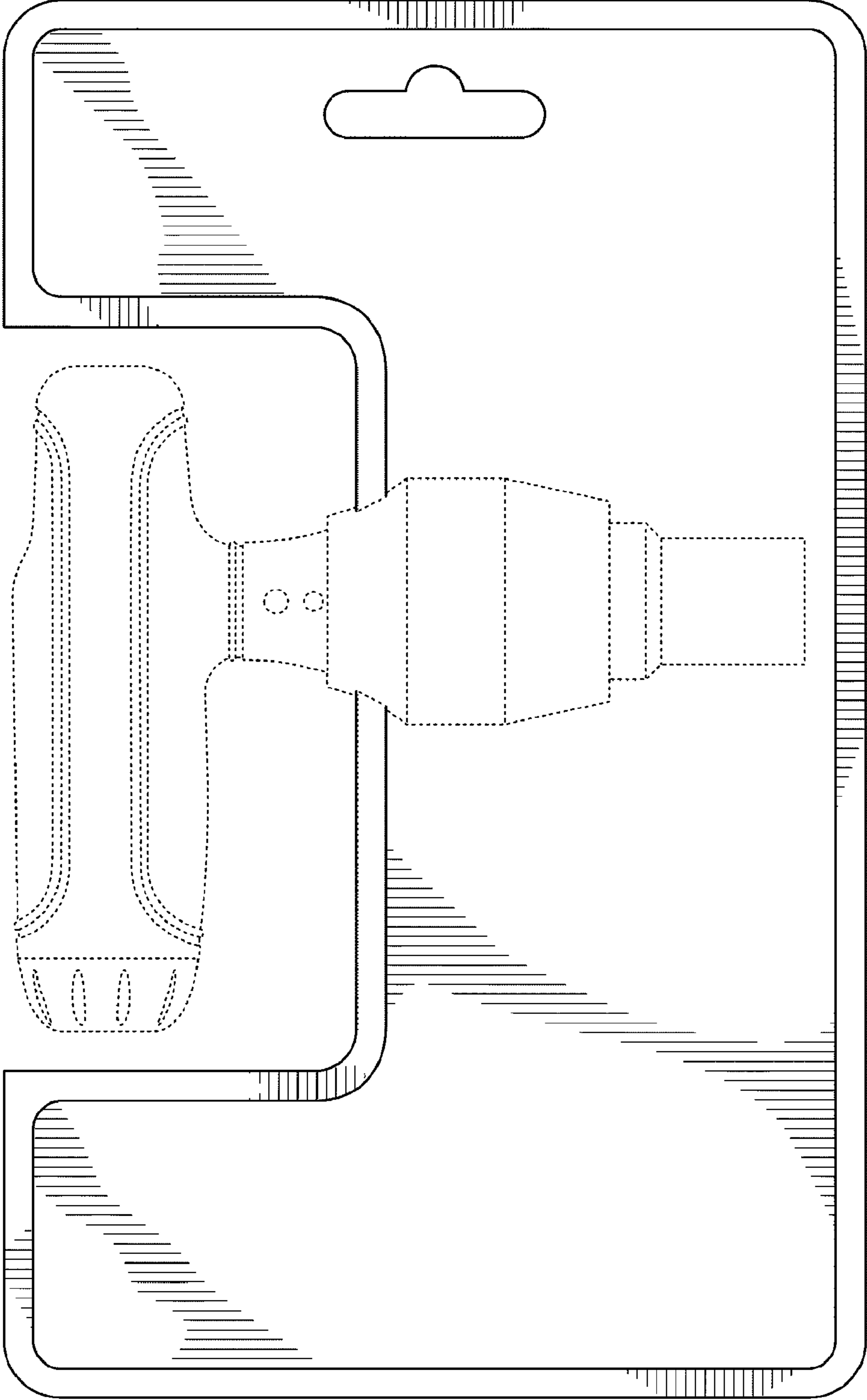
\* cited by examiner



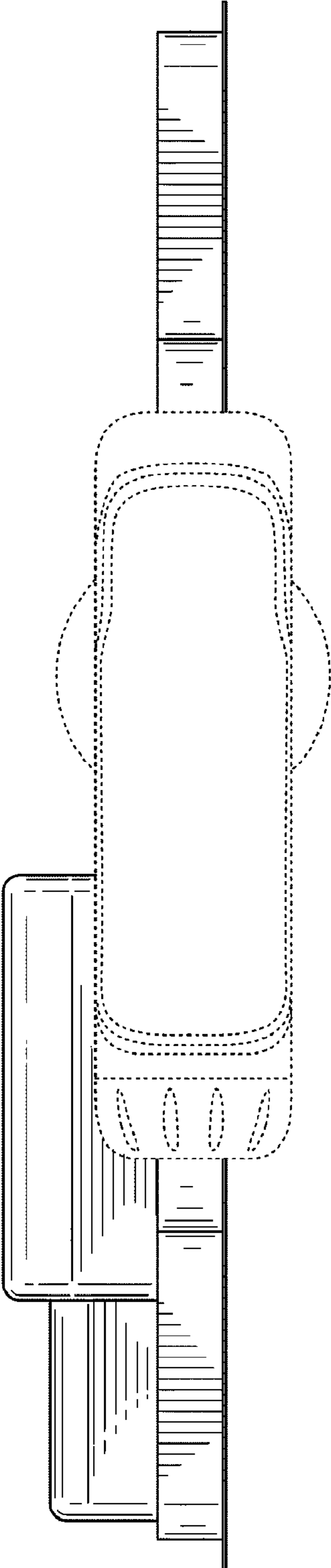
**FIG. 1**



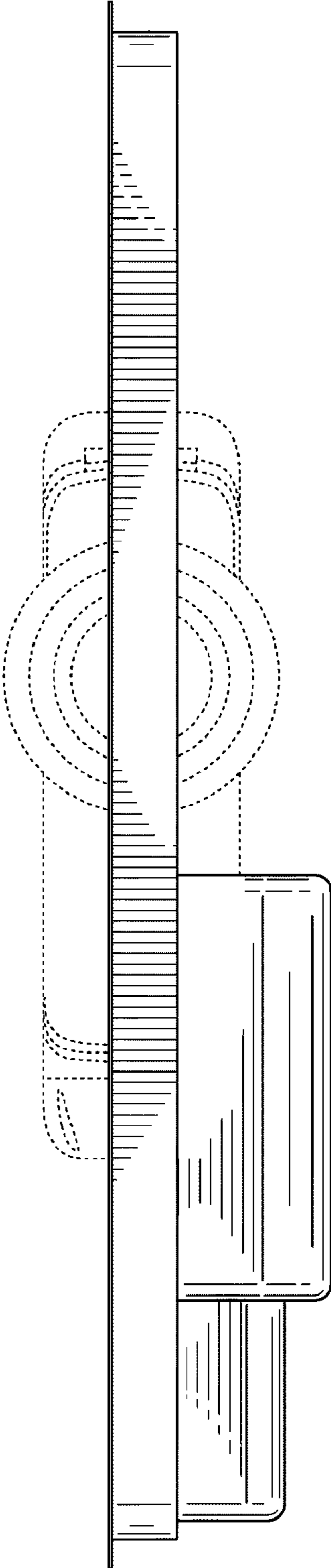
**FIG. 2**



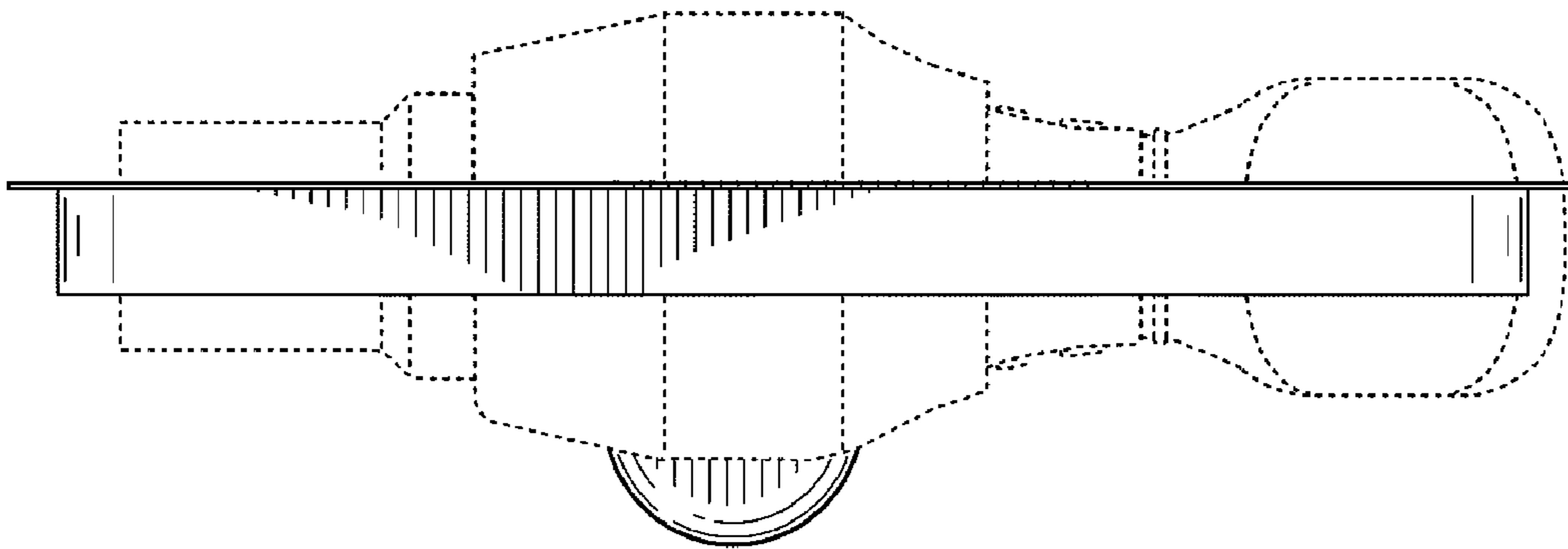
**FIG. 3**



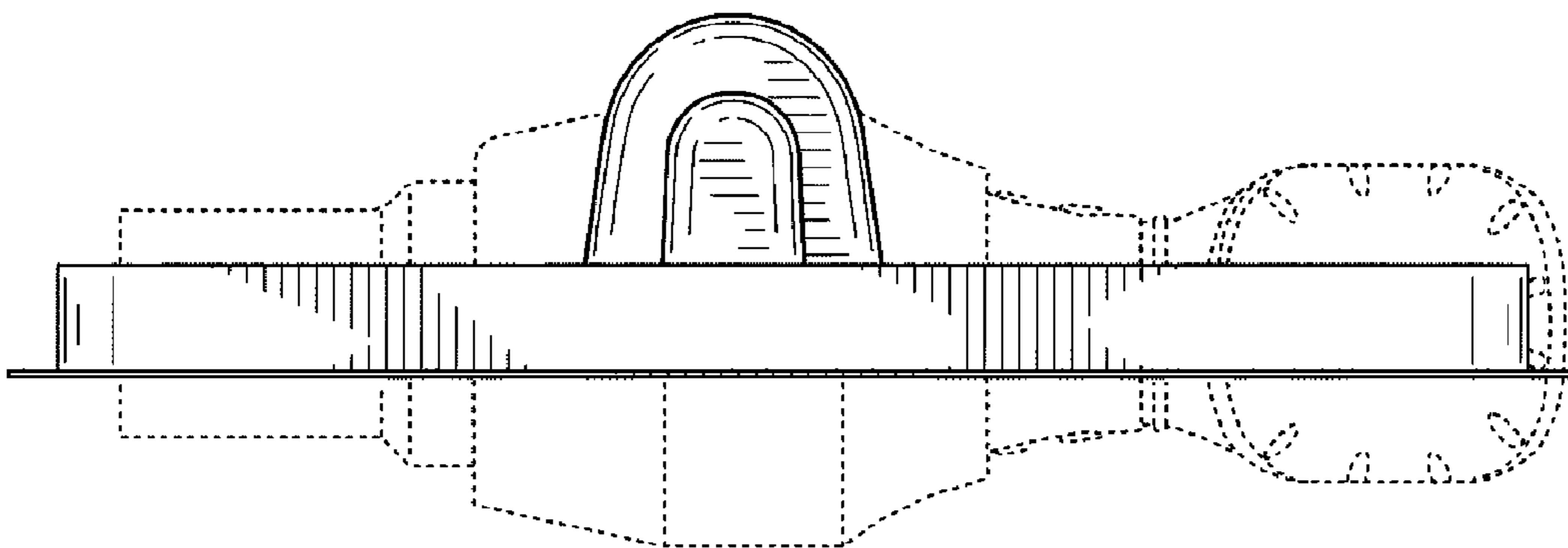
**FIG. 4**



**FIG. 5**



**FIG. 6**



**FIG. 7**