



US00D645730S

(12) **United States Design Patent**
Berkowitz

(10) **Patent No.:** **US D645,730 S**

(45) **Date of Patent:** **** Sep. 27, 2011**

(54) **HANGER**

(75) Inventor: **Adam Berkowitz**, Toronto (CA)

(73) Assignee: **Trimtag Trading Inc.**, Richmond Hill (CA)

(**) Term: **14 Years**

(21) Appl. No.: **29/380,661**

(22) Filed: **Dec. 9, 2010**

(51) **LOC (9) Cl.** **08-05**

(52) **U.S. Cl.** **D8/367**

(58) **Field of Classification Search** D8/367,
D8/354, 349, 323, 382, 328; 294/143; 211/118;
D12/115; 248/340

See application file for complete search history.

(56) **References Cited**

U.S. PATENT DOCUMENTS

2,679,998	A *	6/1954	Keller	248/205.3
2,938,746	A *	5/1960	Willman	292/336.3
D346,950	S *	5/1994	Dunn et al.	D8/367
5,921,514	A *	7/1999	Schumann	248/205.3
D449,977	S *	11/2001	Dembowiak et al.	D8/367
D467,791	S *	12/2002	Goodman et al.	D8/371

D480,625	S *	10/2003	Snell	D8/367
D482,952	S *	12/2003	Steinman	D8/373
D490,694	S *	6/2004	Levine-Umans	D8/367
6,749,165	B2 *	6/2004	Immerman	248/304
D499,008	S *	11/2004	Chang	D8/370
6,814,335	B2 *	11/2004	Immerman	248/304
D531,487	S *	11/2006	Dretzka	D8/367
D592,041	S *	5/2009	Drolet	D8/373
D600,536	S *	9/2009	Hager et al.	D8/367
D603,247	S *	11/2009	Harrell et al.	D8/367

* cited by examiner

Primary Examiner — Cynthia Underwood

(74) *Attorney, Agent, or Firm* — John R. S. Orange; Blake, Cassels & Graydon LLP

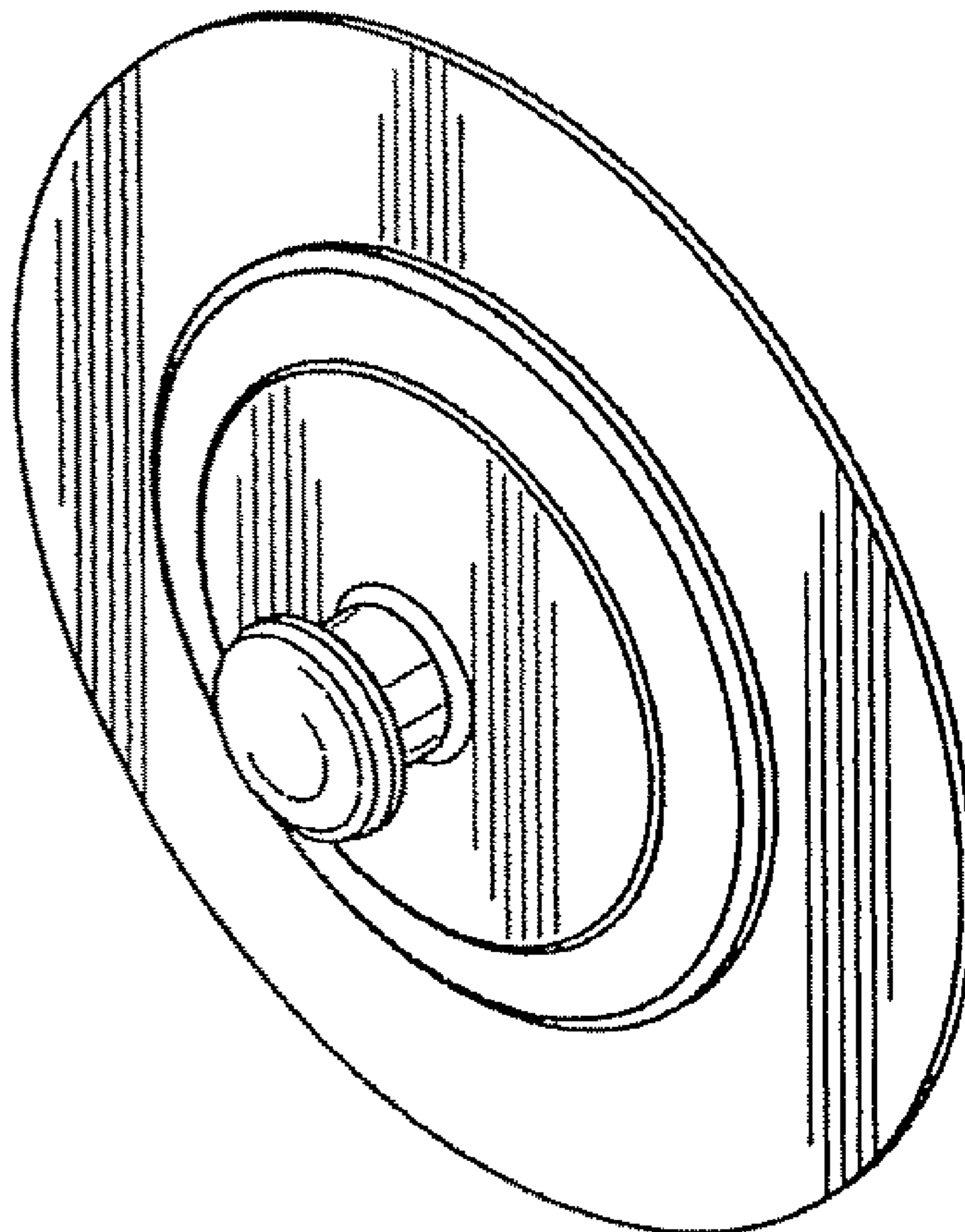
(57) **CLAIM**

The ornamental design of a hanger, as shown and described.

DESCRIPTION

FIG. 1 is a front perspective view;
FIG. 2 is a front elevation view;
FIG. 3 is a side elevation view;
FIG. 4 is a side view from the opposite side to FIG. 3;
FIG. 5 is a plan view;
FIG. 6 is a view from below; and,
FIG. 7 is a rear view.

1 Claim, 1 Drawing Sheet



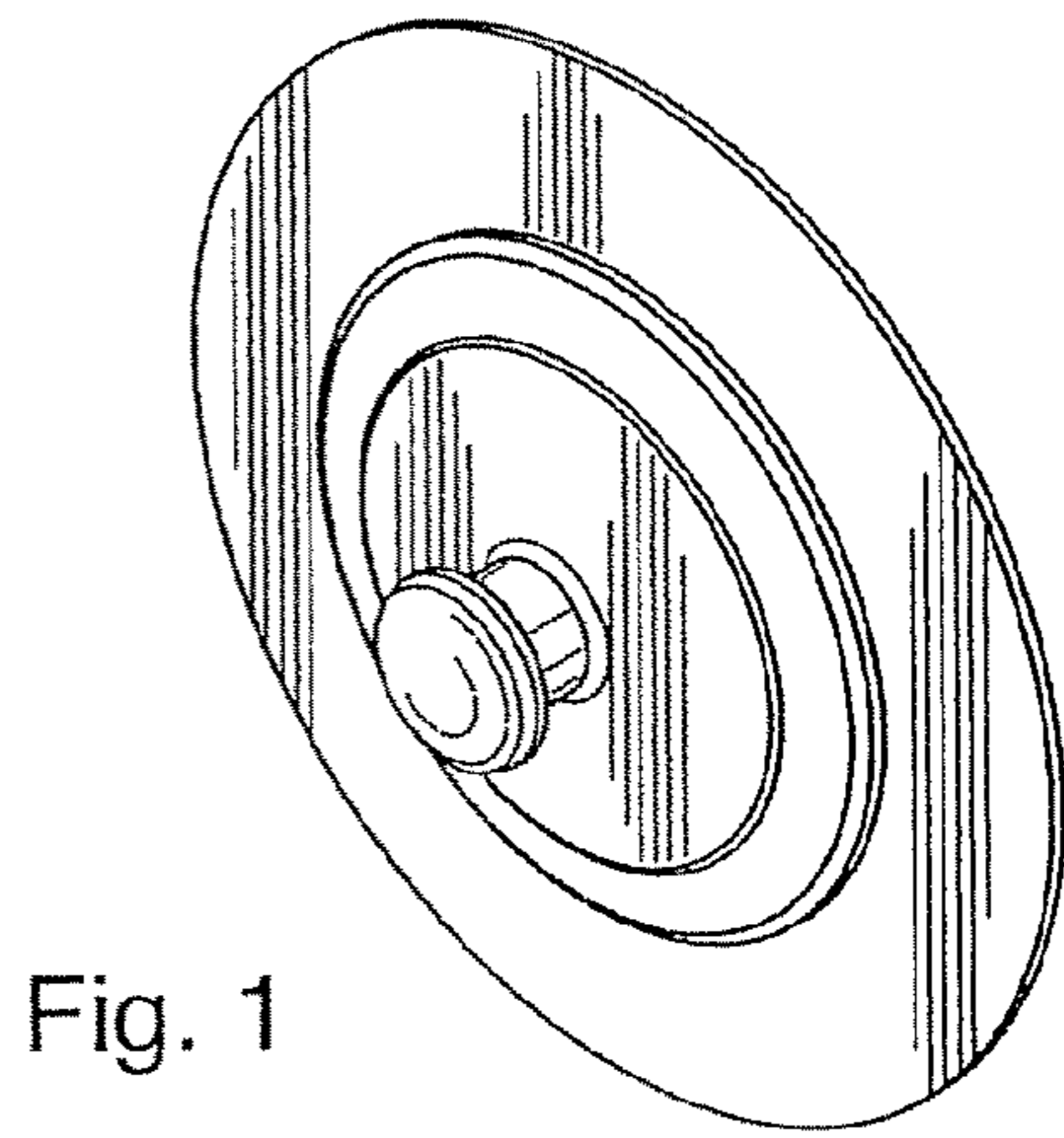


Fig. 1

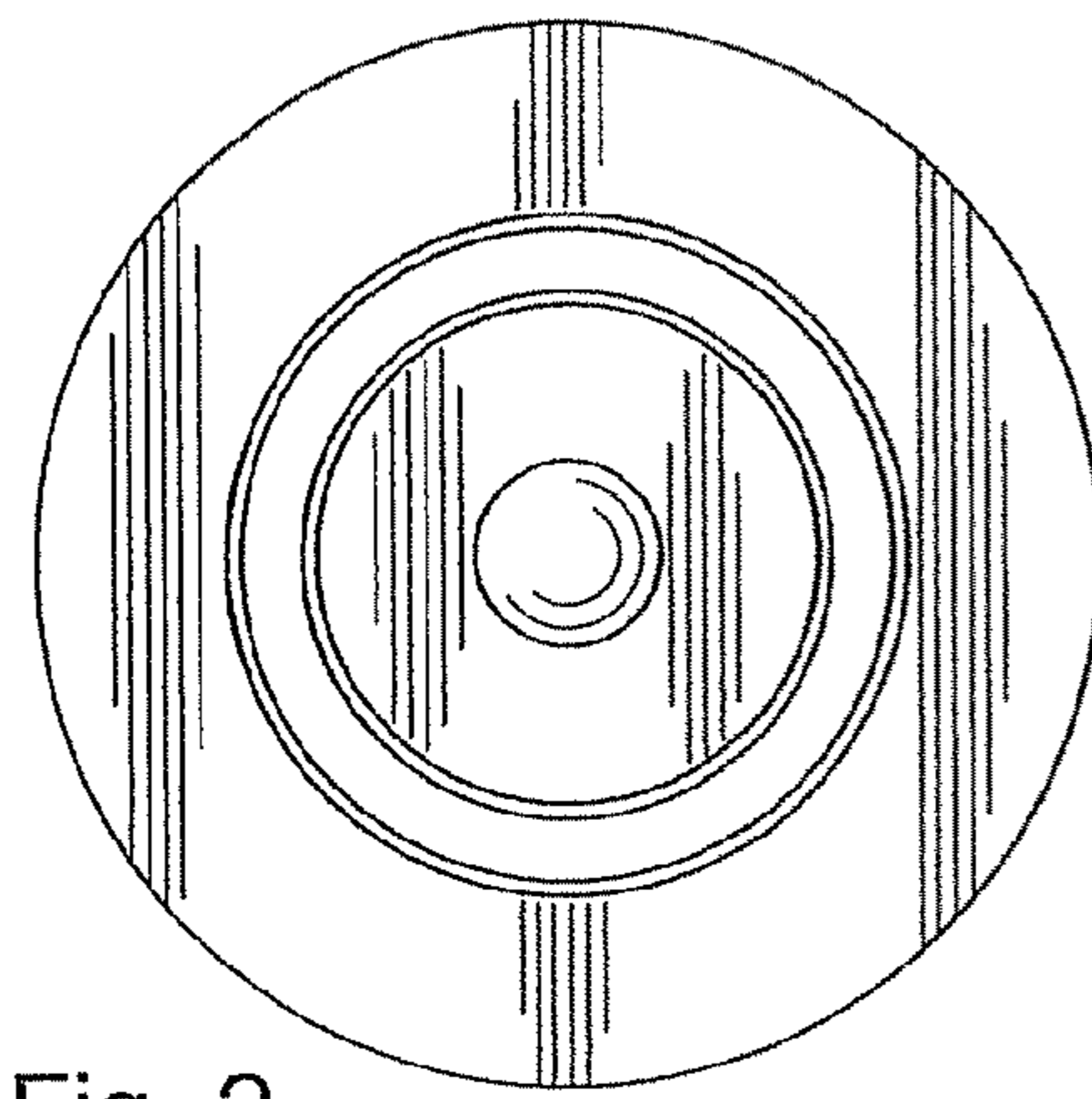


Fig. 2

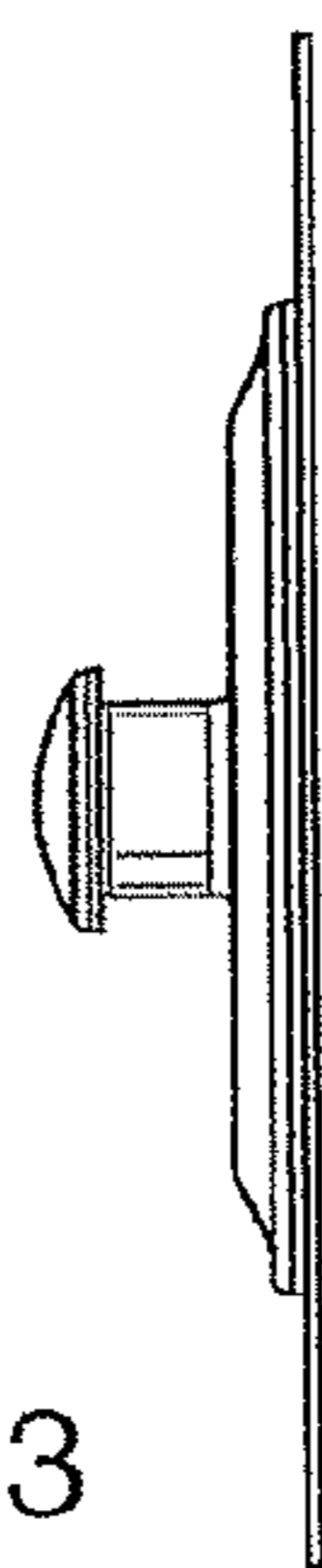


Fig. 3

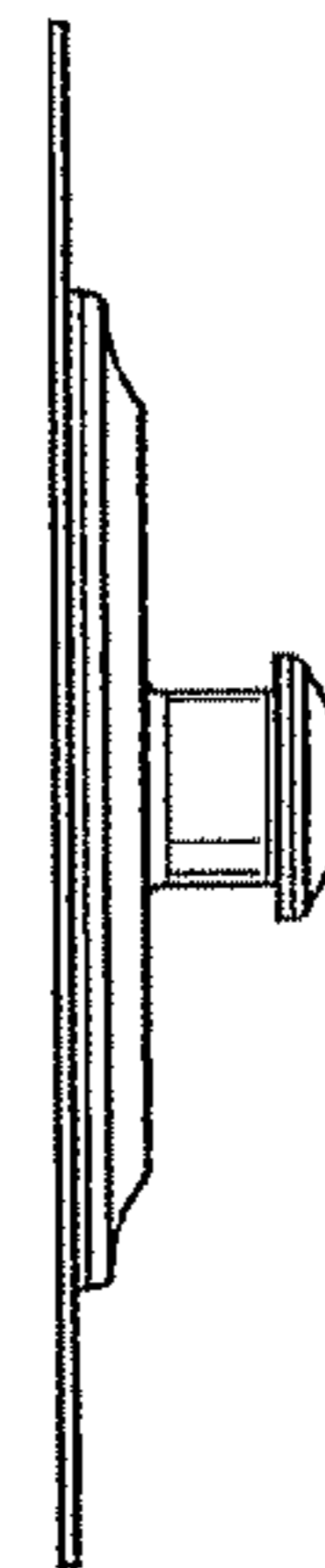


Fig. 4

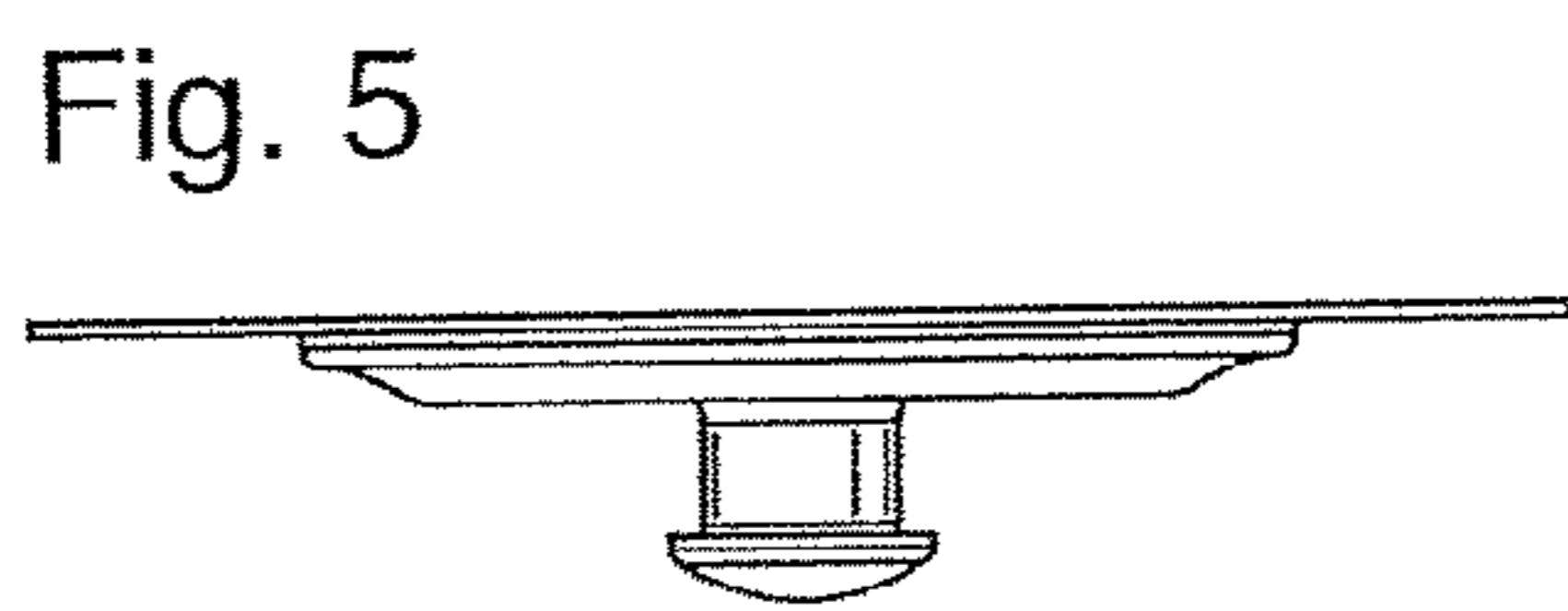


Fig. 5

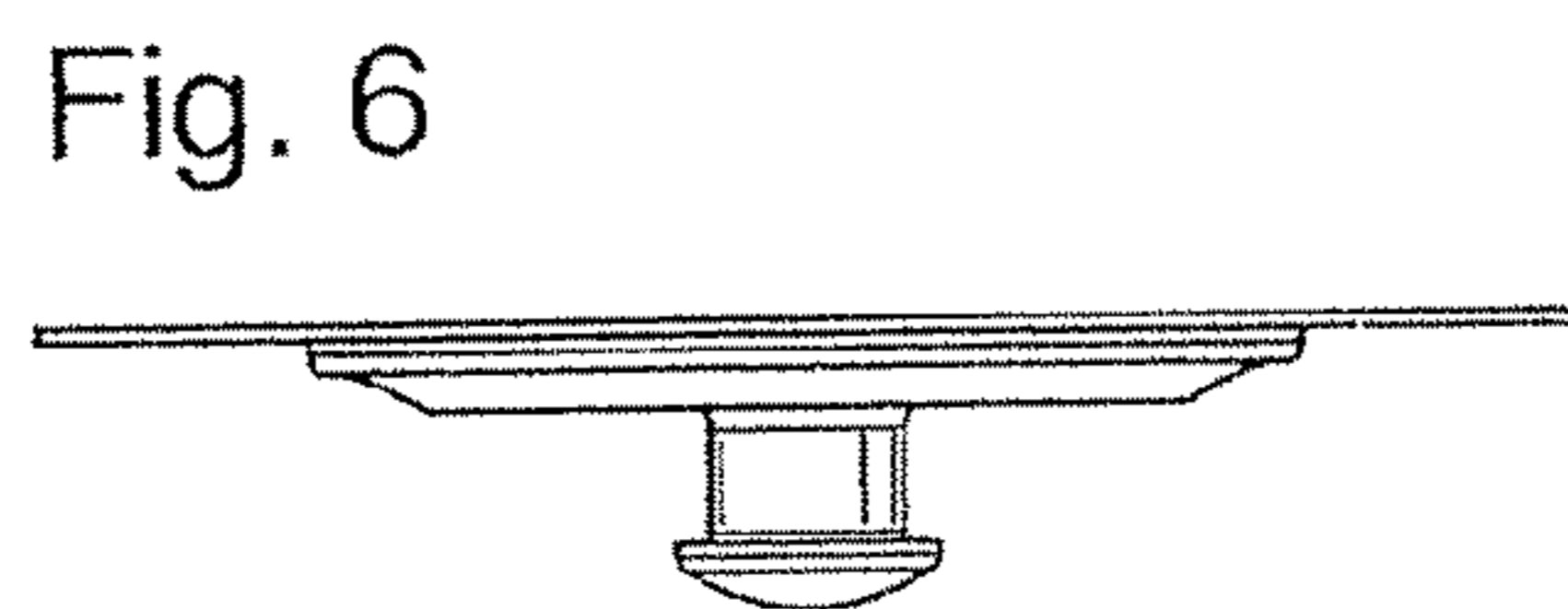


Fig. 6

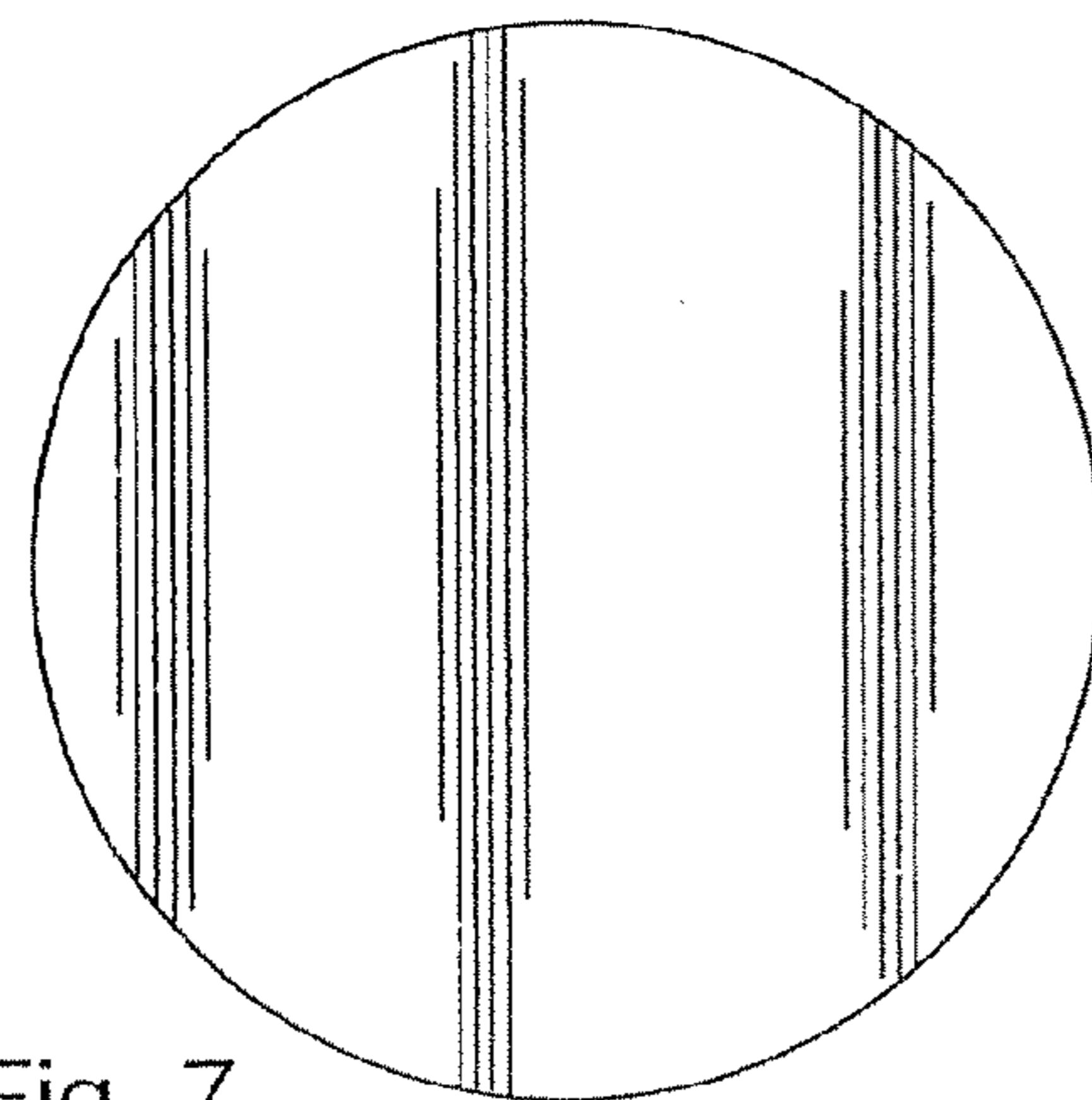


Fig. 7