



US00D645729S

(12) **United States Design Patent**  
**Kumazawa**

(10) **Patent No.:** **US D645,729 S**

(45) **Date of Patent:** **\*\* Sep. 27, 2011**

(54) **TABLE HOOK**

(75) Inventor: **Hajime Kumazawa**, Aichi-ken (JP)

(73) Assignee: **Aichi Co., Ltd.**, Aichi-ken (JP)

(\*\*) Term: **14 Years**

(21) Appl. No.: **29/377,424**

(22) Filed: **Oct. 21, 2010**

(30) **Foreign Application Priority Data**

May 10, 2010 (JP) ..... 2010-11246

(51) **LOC (9) Cl.** ..... **08-05**

(52) **U.S. Cl.** ..... **D8/367**

(58) **Field of Classification Search** ..... D8/356,  
D8/354, 372, 367, 1, 382, 328; 63/8; D12/317,  
D12/162; D6/323; 248/301-304, 175, 277.2,  
248/308, 215, 231.81, 227.2; 70/59; 24/588.1,  
24/601, 599.9, 598.1, 599.6, 592.11, 452,  
24/601.5; 402/35; 114/218, 114; 294/129 R,  
294/600.9; 182/3; D11/210, 3; D9/752;  
D19/32; D3/207, 328; 16/256, 258  
See application file for complete search history.

(56) **References Cited**

**U.S. PATENT DOCUMENTS**

2,738,188 A \* 3/1956 Hoffman ..... 248/215  
3,056,309 A \* 10/1962 Horste ..... 474/218  
D308,478 S \* 6/1990 Watson ..... D8/367  
D314,864 S \* 2/1991 Creed ..... D3/328  
D344,654 S \* 3/1994 McCrudden ..... D6/513  
6,345,796 B1 2/2002 Neuman  
6,481,680 B2 11/2002 Neuman

6,802,480 B1 \* 10/2004 Martello ..... 248/63  
D516,900 S \* 3/2006 Hoernig ..... D8/367  
D517,400 S \* 3/2006 Hoernig ..... D8/367  
D538,137 S \* 3/2007 Dukes ..... D8/356  
7,219,868 B2 \* 5/2007 Marler et al. .... 248/304  
7,234,672 B1 \* 6/2007 Osterholt et al. .... 248/304  
D601,880 S \* 10/2009 Veilleux ..... D8/367  
D603,247 S \* 11/2009 Harrell et al. .... D8/367  
D608,620 S \* 1/2010 Morgenroth ..... D8/354  
D621,241 S \* 8/2010 Mirer et al. .... D8/367  
D626,402 S \* 11/2010 Chan ..... D8/367

**FOREIGN PATENT DOCUMENTS**

JP 358812 2/1948  
JP 1000718 S 1/1998

\* cited by examiner

*Primary Examiner* — Cynthia Underwood

(74) *Attorney, Agent, or Firm* — Cermak Nakajima LLP;  
Tomoko Nakajima

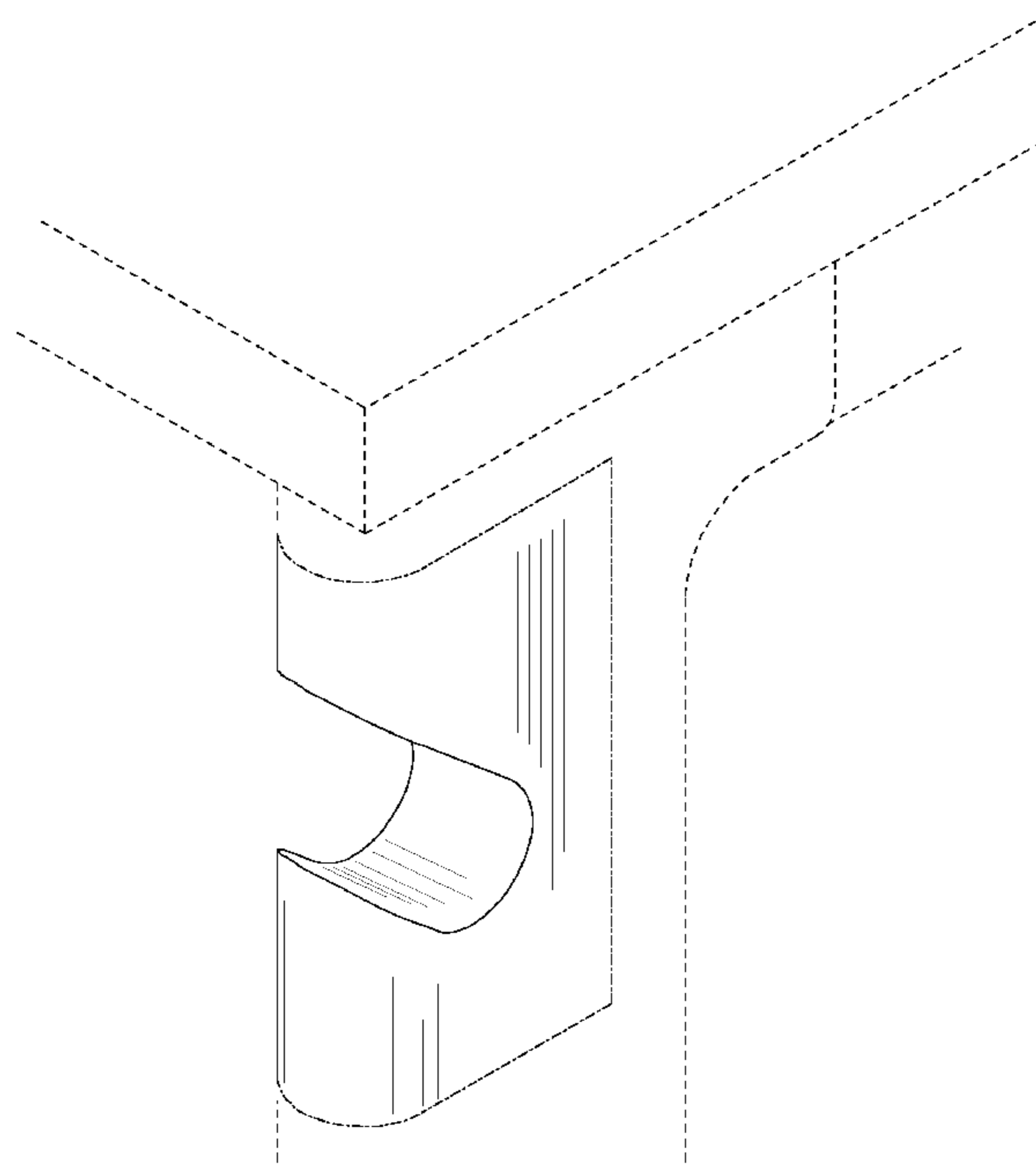
(57) **CLAIM**

The ornamental design for a table hook, as shown and described.

**DESCRIPTION**

FIG. 1 is a front elevational view of a table hook showing my new design;  
FIG. 2 is a right side elevational view thereof;  
FIG. 3 is a top perspective view thereof;  
FIG. 4 is an enlarged right side elevational view thereof;  
FIG. 5 is an enlarged fragmentary perspective view thereof;  
and,  
FIG. 6 is a perspective view thereof shown in a position of use.  
The broken lines are included in the drawings for illustrative purposes only and form no part of the claim.

**1 Claim, 6 Drawing Sheets**



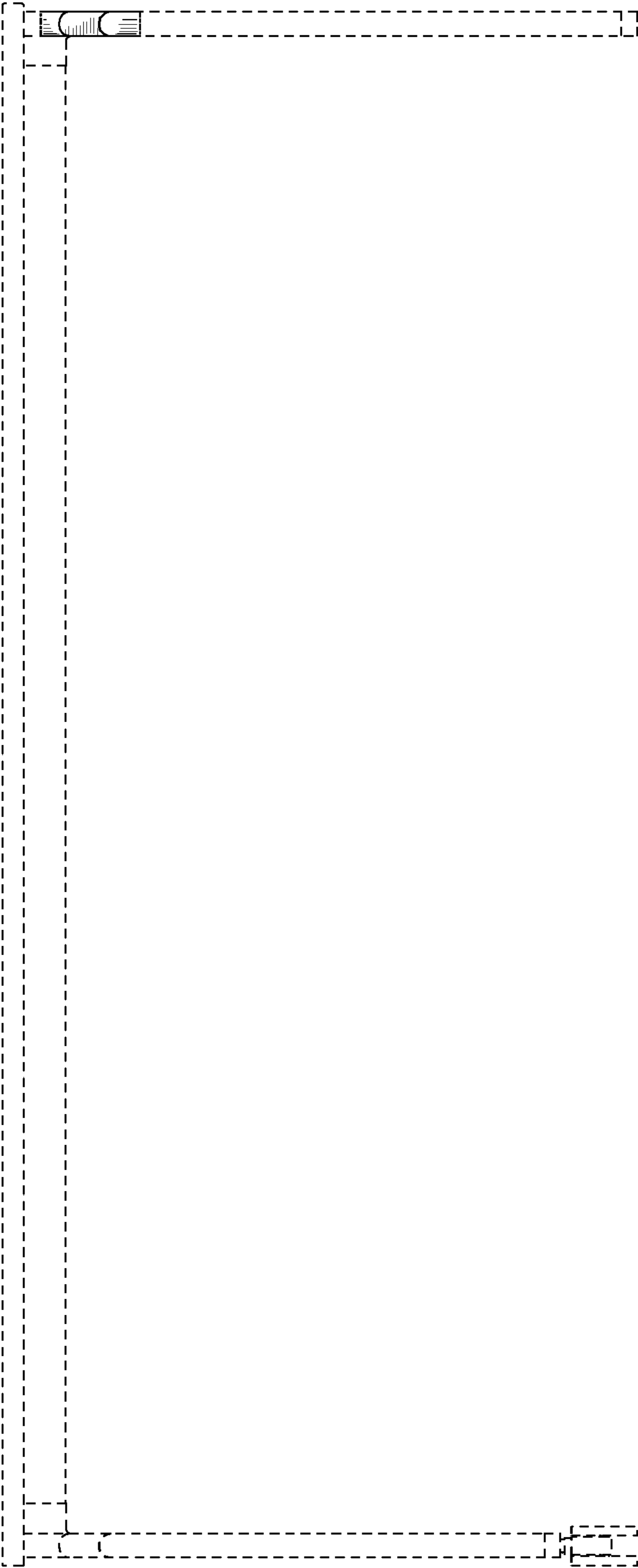


FIG.1

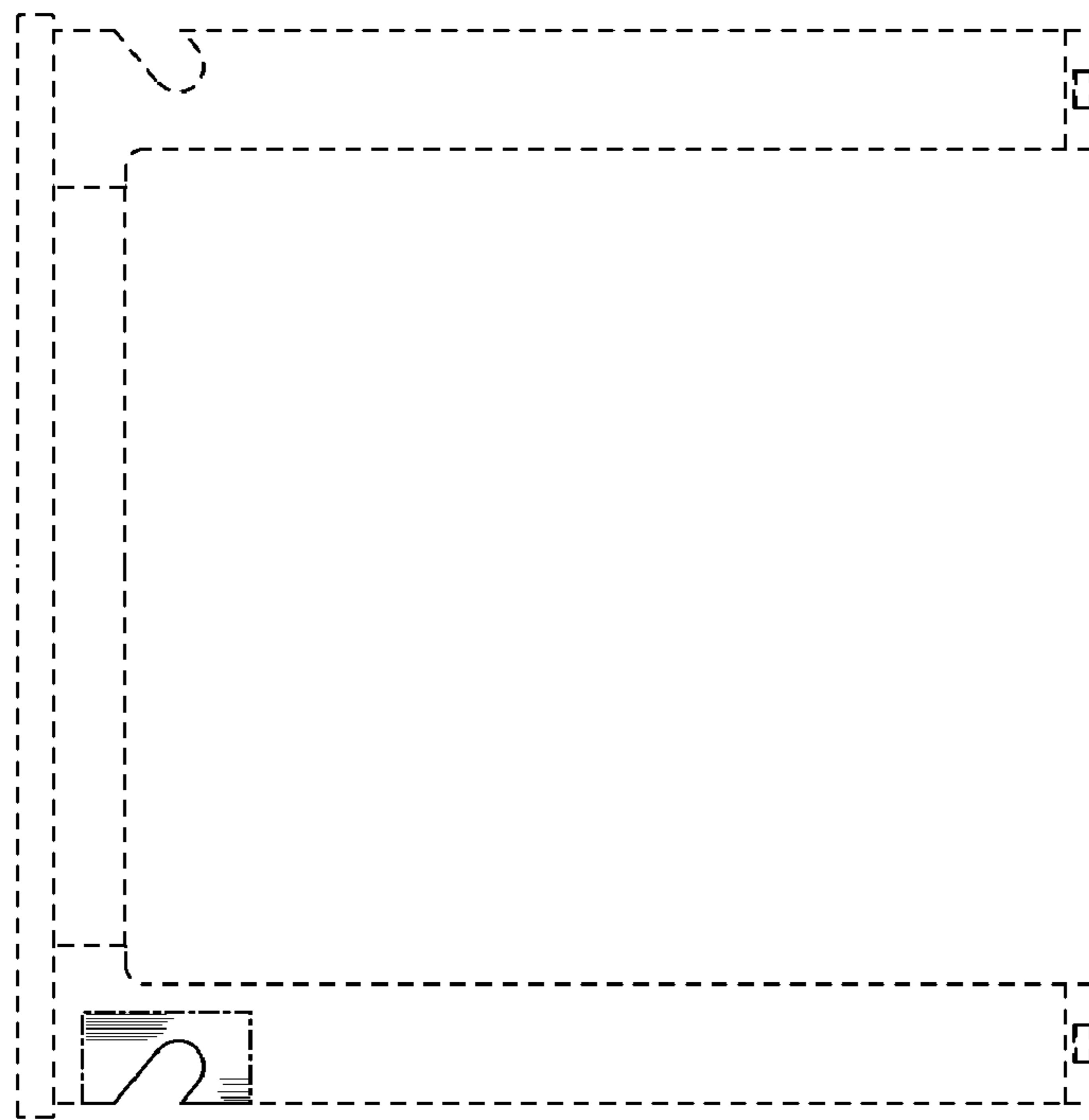


FIG. 2

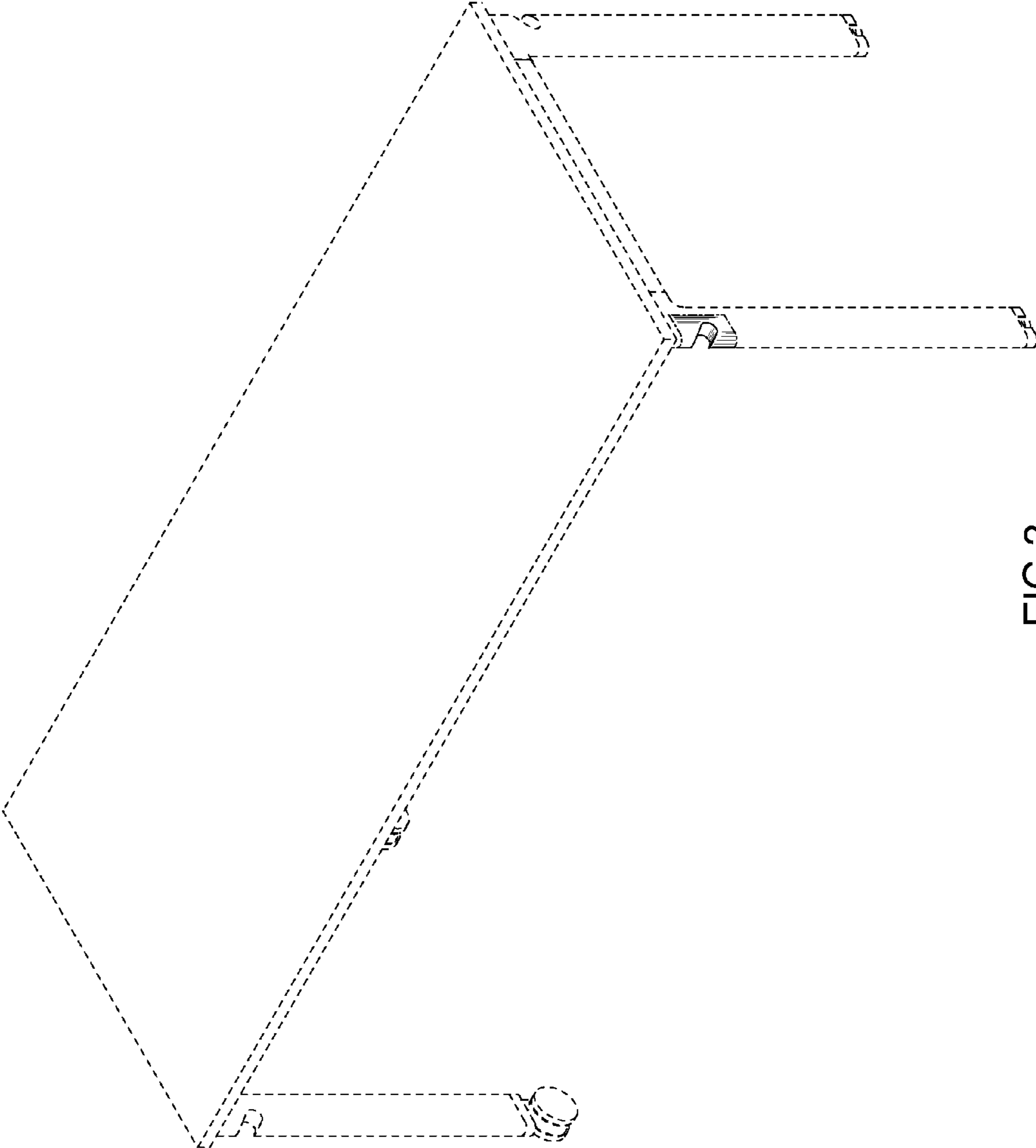


FIG.3

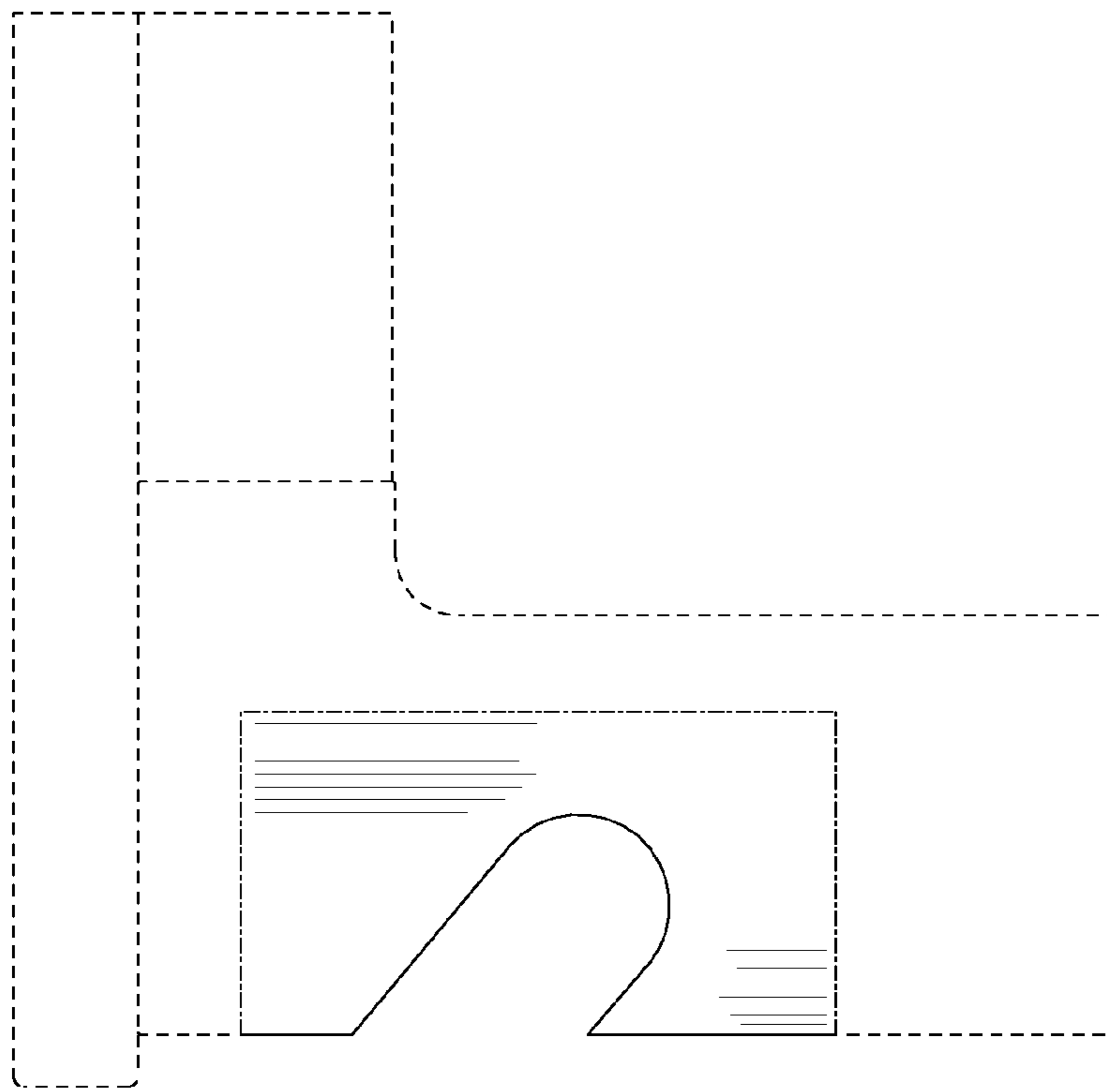


FIG. 4

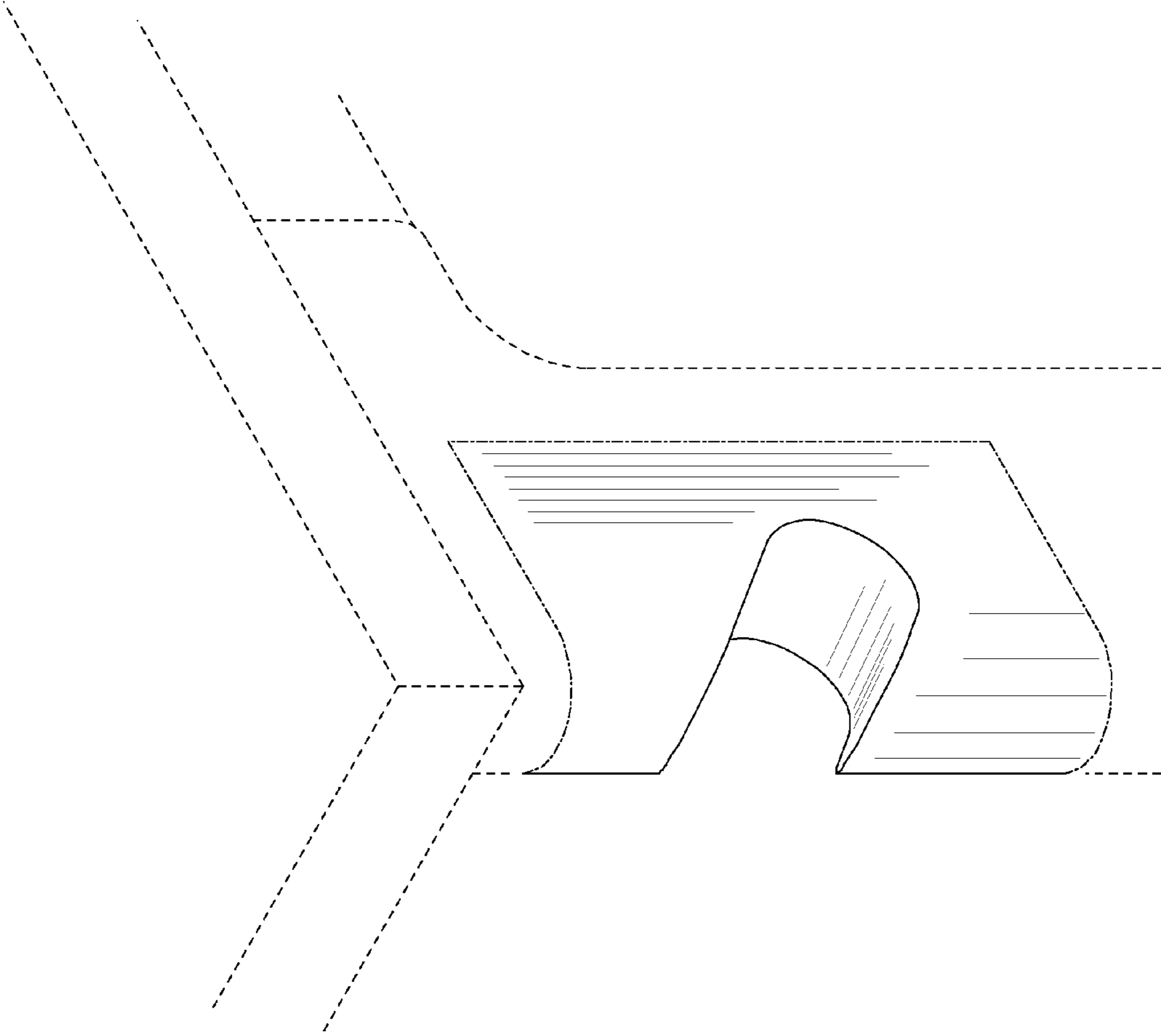


FIG.5

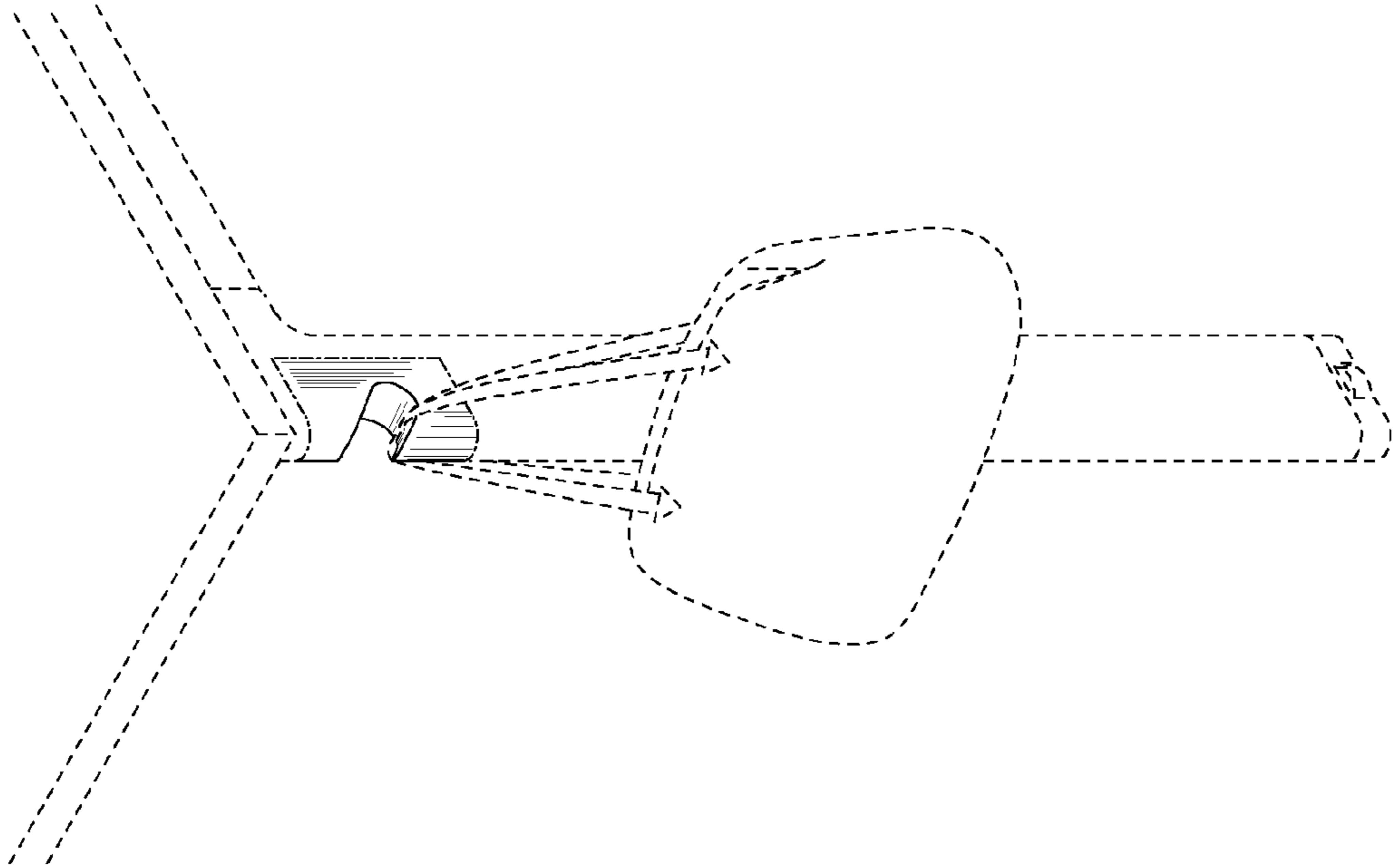


FIG.6