

US00D645728S

(12) **United States Design Patent**
Kumazawa

(10) **Patent No.:** **US D645,728 S**
(45) **Date of Patent:** **** Sep. 27, 2011**

(54) **TABLE HOOK**

(75) Inventor: **Hajime Kumazawa**, Aichi-ken (JP)

(73) Assignee: **Aichi Co., Ltd.**, Aichi-ken (JP)

(**) Term: **14 Years**

(21) Appl. No.: **29/377,422**

(22) Filed: **Oct. 21, 2010**

(30) **Foreign Application Priority Data**

Jun. 18, 2010 (JP) 2010-15033

(51) **LOC (9) Cl.** **08-05**

(52) **U.S. Cl.** **D8/367**

(58) **Field of Classification Search** D8/356,
D8/354, 372, 367, 1, 382, 328; 63/8; D12/317,
D12/162; D6/323; 248/301-304, 175, 277.2,
248/308, 215, 231.81, 227.2; 70/59; 24/588.1,
24/601, 599.9, 598.1, 599.6, 592.11, 452,
24/601.5; 402/35; 114/218, 114; 294/129 R,
294/600.9; 182/3; D11/210, 3; D9/752;
D19/32; D3/207, 328; 16/256, 258

See application file for complete search history.

(56) **References Cited**

U.S. PATENT DOCUMENTS

2,738,188 A * 3/1956 Hoffman 248/215
3,056,309 A * 10/1962 Horste 474/218
D308,478 S * 6/1990 Watson D8/367
D314,864 S * 2/1991 Creed D3/328
D344,654 S * 3/1994 McCrudden D6/513
6,345,796 B1 2/2002 Neuman
6,481,680 B2 11/2002 Neuman
6,802,480 B1 * 10/2004 Martello 248/63
D516,900 S * 3/2006 Hoernig D8/367

D517,400 S * 3/2006 Hoernig D8/367
D538,137 S * 3/2007 Dukes D8/356
7,219,868 B2 * 5/2007 Marler et al. 248/304
7,234,672 B1 * 6/2007 Osterholt et al. 248/304
D601,880 S * 10/2009 Veilleux D8/367
D603,247 S * 11/2009 Harrell et al. D8/367
D608,620 S * 1/2010 Morgenroth D8/354
D621,241 S * 8/2010 Mirer et al. D8/367
D626,402 S * 11/2010 Chan D8/367

FOREIGN PATENT DOCUMENTS

JP 358812 2/1948
JP 1000718 S 1/1998

* cited by examiner

Primary Examiner — Cynthia Underwood

(74) *Attorney, Agent, or Firm* — Cermak Nakajima LLP;
Tomoko Nakajima

(57) **CLAIM**

The ornamental design for a table hook, as shown and described.

DESCRIPTION

FIG. 1 is a front elevational view of a table hook showing my new design;

FIG. 2 is a right side elevational view thereof;

FIG. 3 is a bottom plan view thereof;

FIG. 4 is a top perspective view thereof;

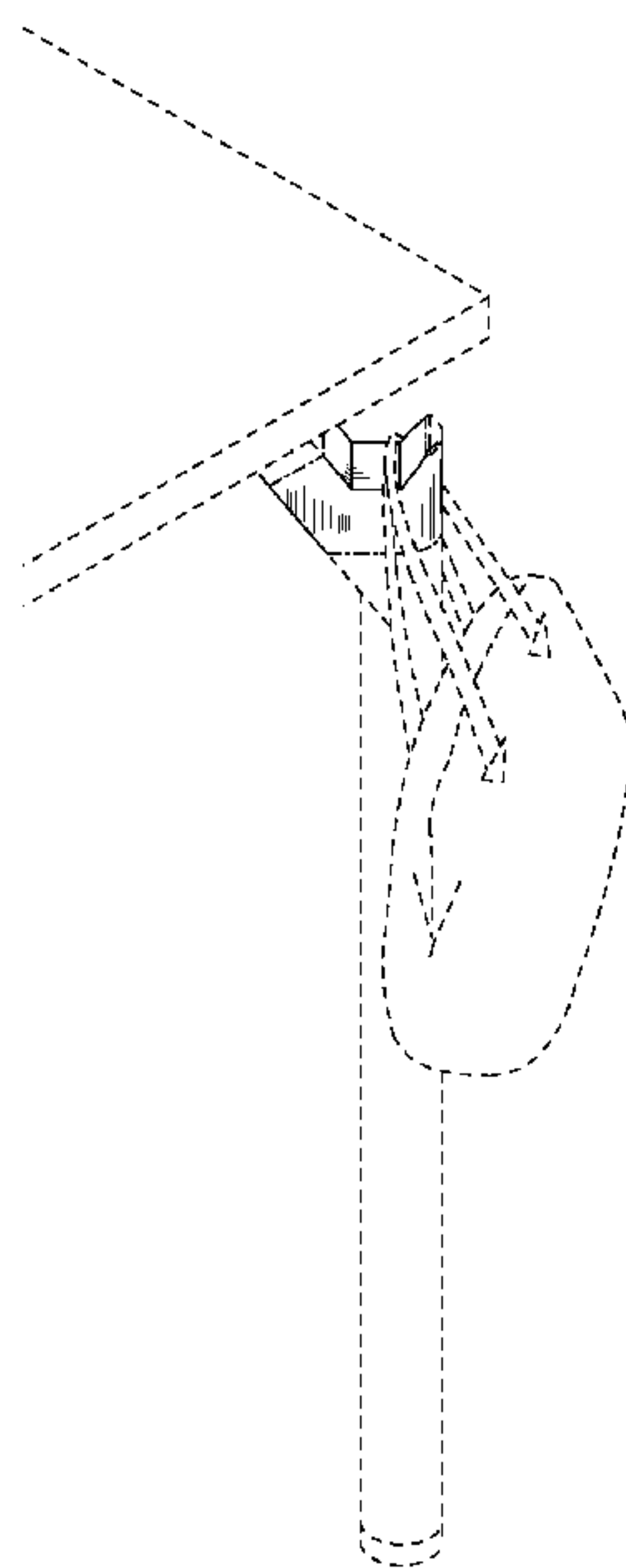
FIG. 5 is enlarged side view thereof with portions of the unclaimed environment removed;

FIG. 6 is an enlarged view of FIG. 4 with portions of the unclaimed environment removed; and,

FIG. 7 is a perspective view thereof in a position of use with portions of the unclaimed environment removed.

The broken lines are included in the drawings for illustrative purposes only and form no part of the claim.

1 Claim, 7 Drawing Sheets



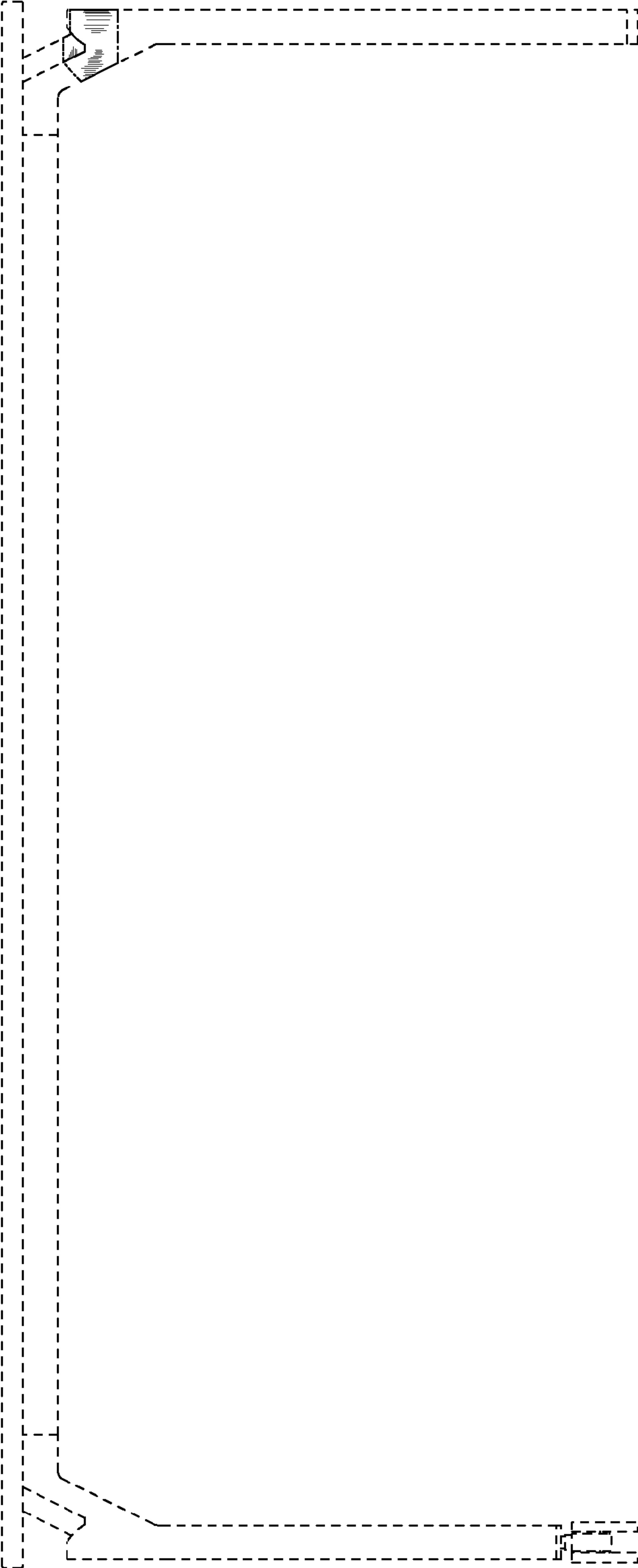


FIG.1

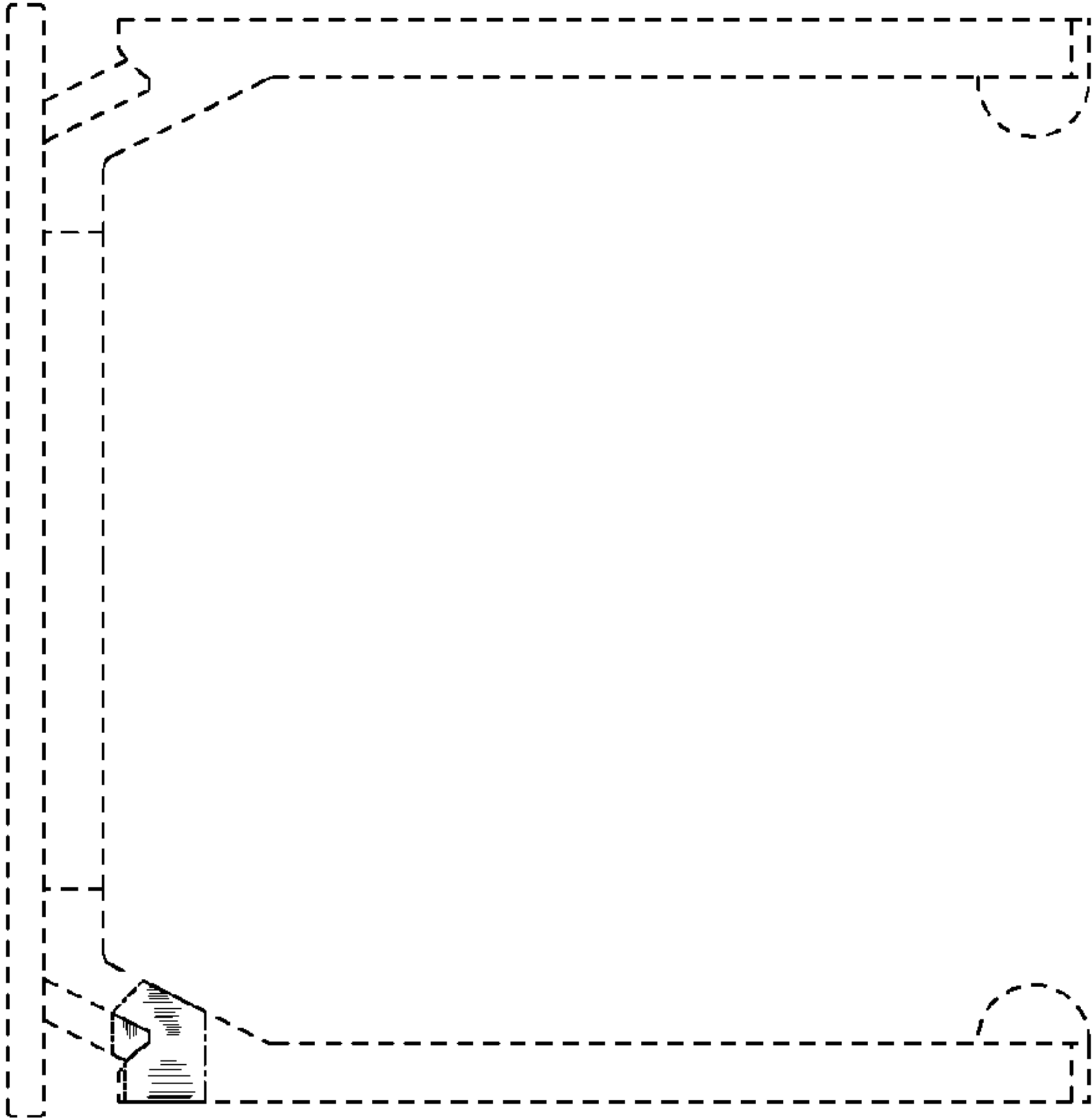


FIG.2

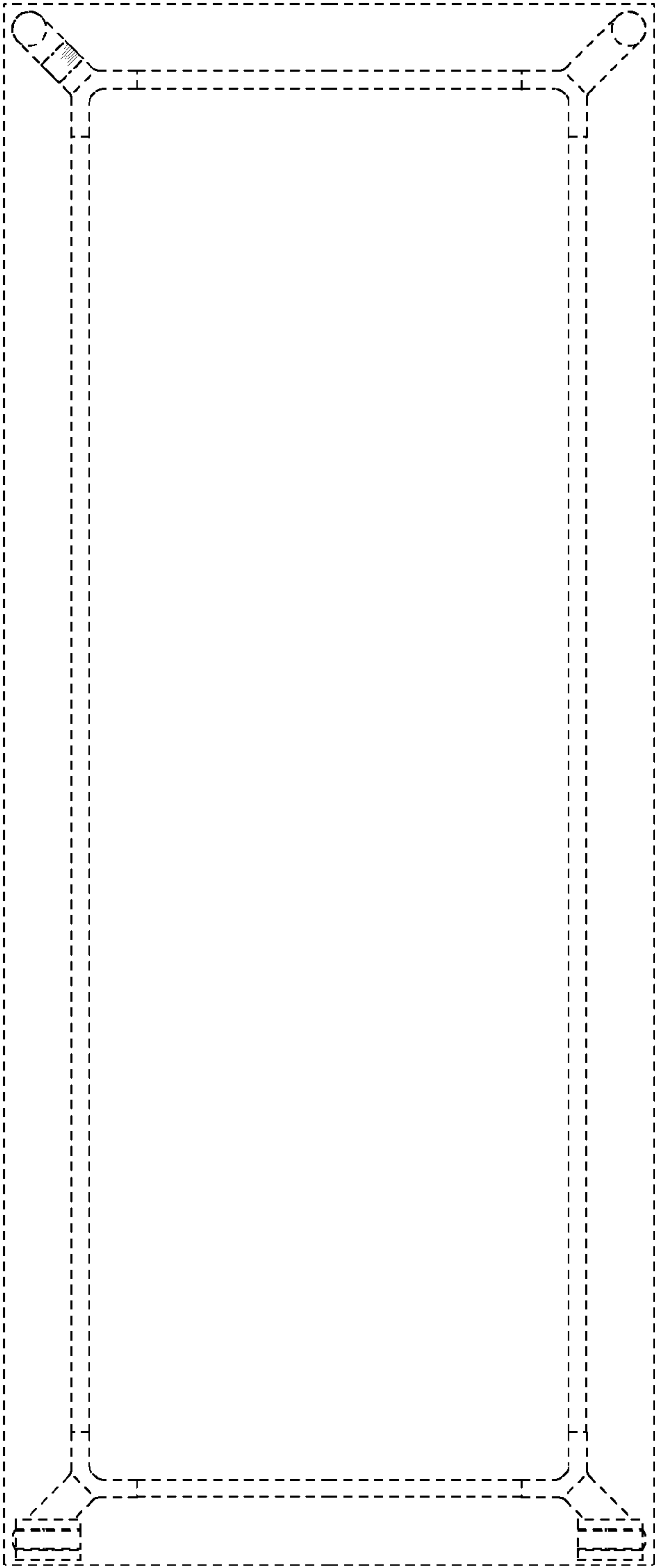


FIG.3

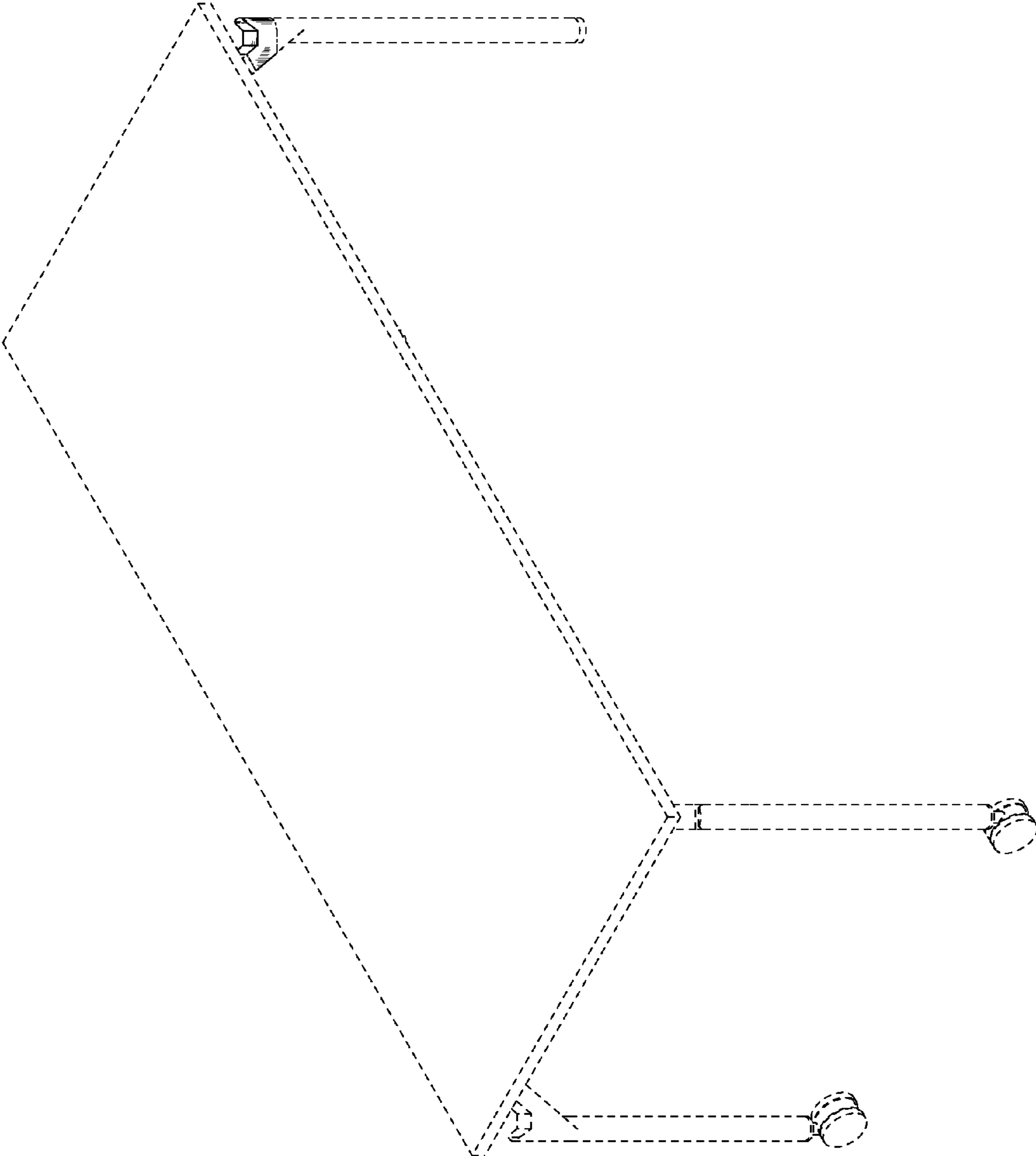


FIG.4

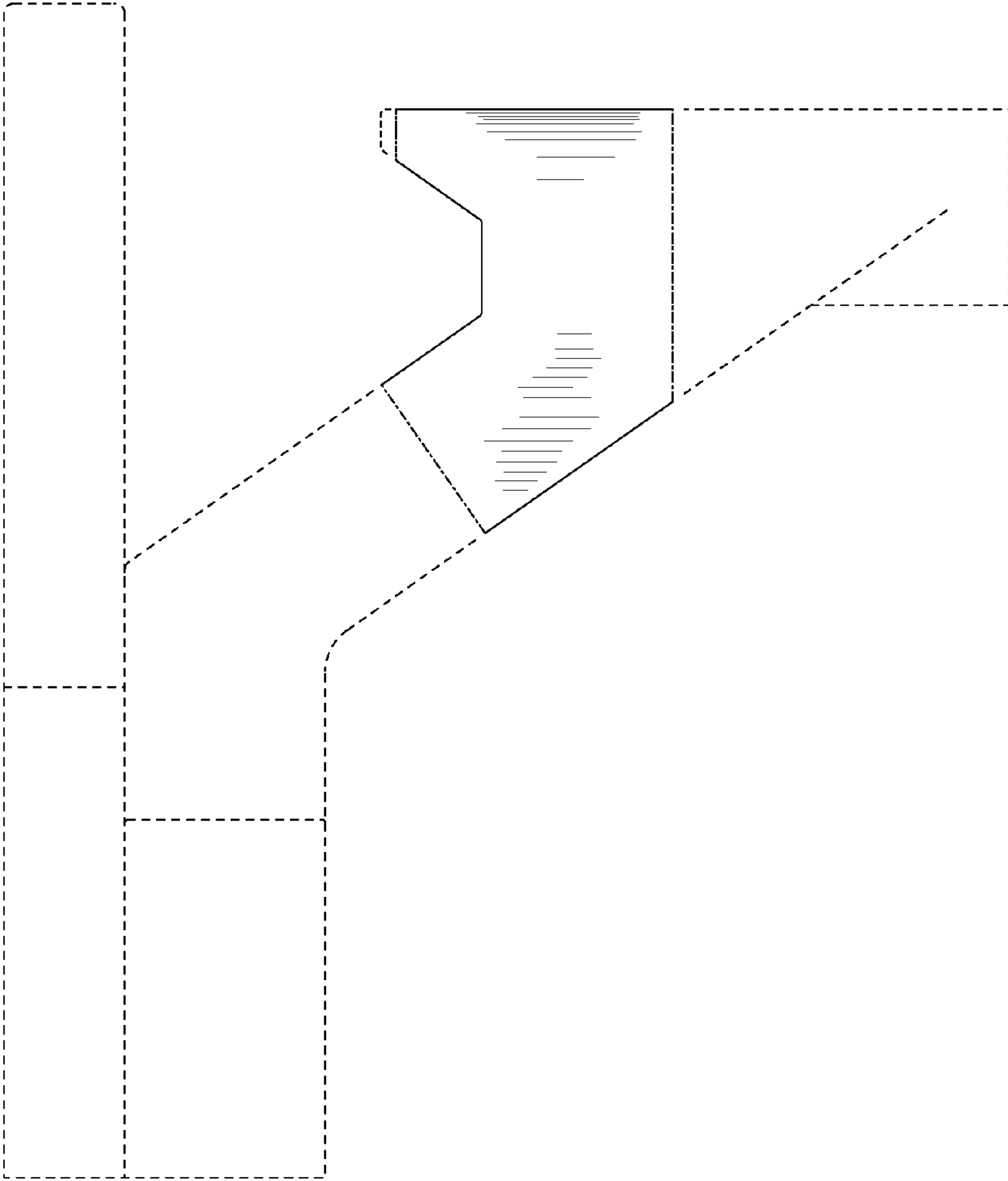


FIG.5

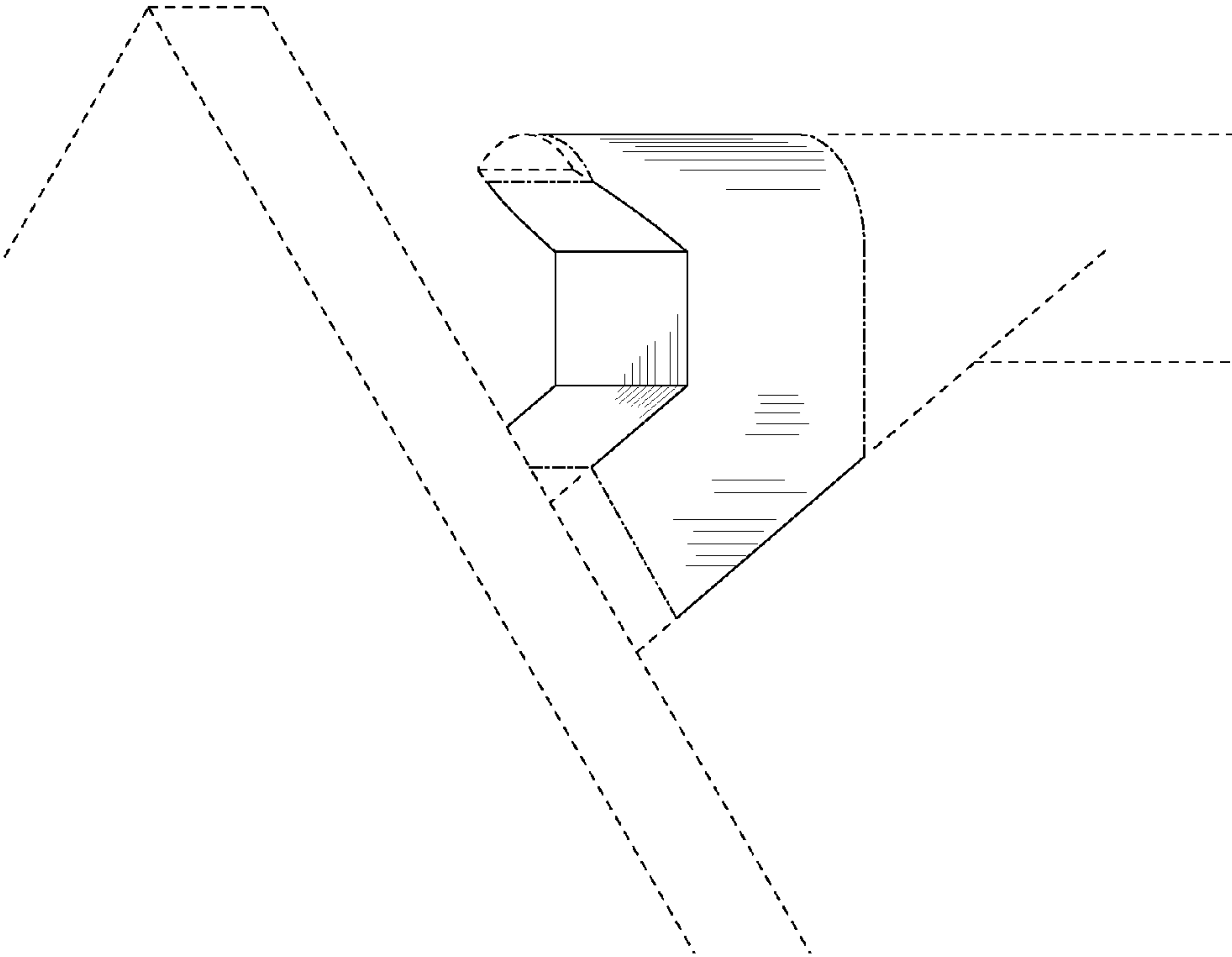


FIG. 6

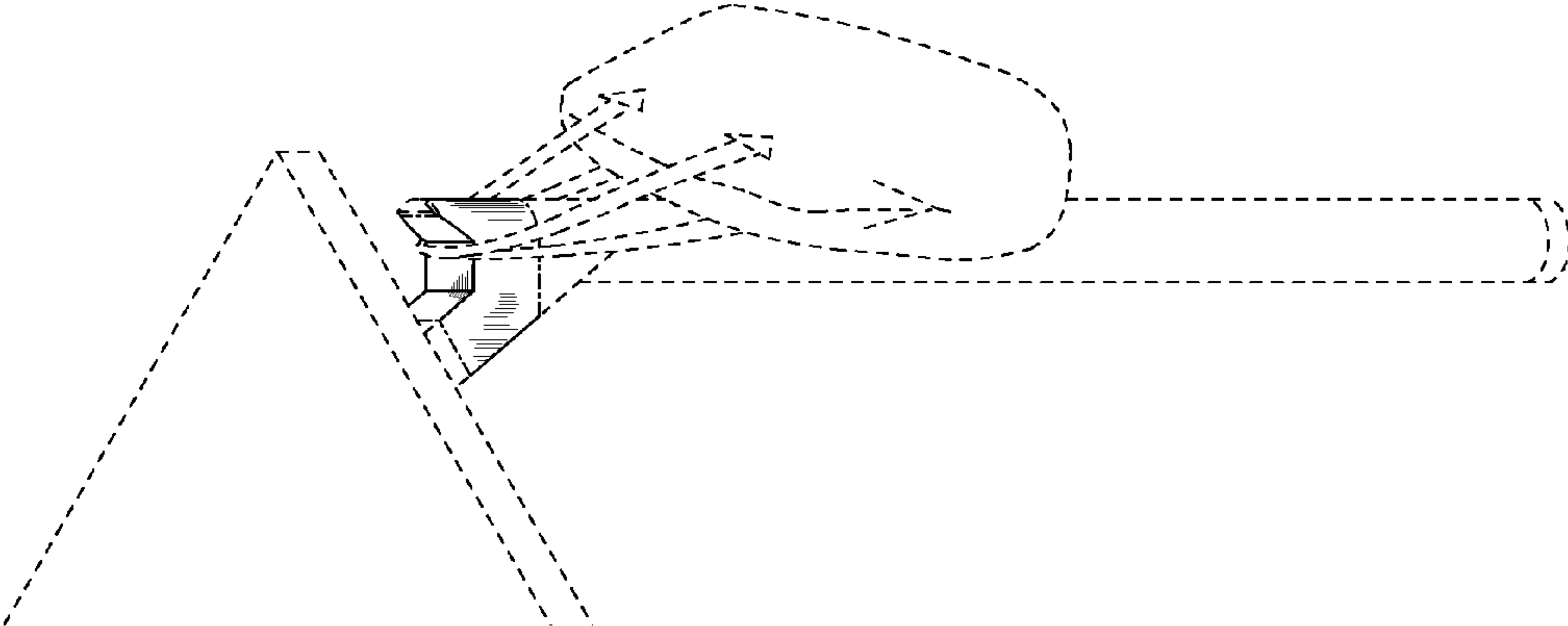


FIG.7