



US00D645724S

(12) **United States Design Patent**
Buck

(10) **Patent No.:** **US D645,724 S**

(45) **Date of Patent:** **** Sep. 27, 2011**

(54) **DOOR HANDLE ASSEMBLY**

(76) Inventor: **John Buck**, Camarillo, CA (US)

(**) Term: **14 Years**

(21) Appl. No.: **29/388,433**

(22) Filed: **Mar. 29, 2011**

Related U.S. Application Data

(63) Continuation-in-part of application No. 29/384,818, filed on Feb. 4, 2011, now Pat. No. Des. 637,885.

(51) **LOC (9) Cl.** **08-06**

(52) **U.S. Cl.** **D8/308**

(58) **Field of Classification Search** D8/300,
D8/302, 306, 308, 321, 314, 341, 338, DIG. 1,
D8/DIG. 10; 16/110.1, 412, 901; 49/70;
D21/694; 292/336.3

See application file for complete search history.

(56) **References Cited**

U.S. PATENT DOCUMENTS

1,547,350	A *	7/1925	Rosenblum	248/558
1,624,051	A *	4/1927	Hansen	403/247
D81,158	S *	5/1930	Schnell	D8/308
D83,809	S *	3/1931	Jarvis	D8/308
2,238,513	A *	4/1941	Ward	292/347
D165,976	S	2/1952	Goserud		
D178,436	S *	7/1956	Unzicker	D8/319
D179,417	S	12/1956	Greenwood		
D180,515	S	6/1957	Graves et al.		
D181,822	S *	12/1957	Taubman	D8/308
2,965,427	A *	12/1960	Sessions	312/242
D191,349	S *	9/1961	Spencer	D8/308
3,121,907	A *	2/1964	Stebbins	16/412
3,144,268	A	8/1964	Rowe		
D203,868	S	2/1966	Bourgeois		
D204,235	S	4/1966	Elder		
3,317,231	A *	5/1967	Lindquist et al.	292/336.3
3,391,674	A *	7/1968	Burleigh	119/174

D218,279	S *	8/1970	Noel	D8/308
3,606,967	A *	9/1971	Roberts	294/143
3,965,528	A *	6/1976	Kissler	16/110.1
4,266,705	A *	5/1981	Wheeler	294/163
4,288,012	A *	9/1981	Doak	294/143
D276,694	S *	12/1984	Benedict	D8/107
D277,721	S *	2/1985	Jordan	D6/328
4,644,689	A *	2/1987	Arians	49/70
5,088,778	A *	2/1992	Lin	292/336.3
D343,541	S	1/1994	Kassraie		
D402,526	S *	12/1998	Mahlmann et al.	D8/301
5,983,454	A	11/1999	Hartselle, III		
D439,292	S *	3/2001	Webber et al.	D21/694
6,289,557	B1	9/2001	Manson et al.		
D465,719	S	11/2002	Ditzig et al.		
D482,592	S *	11/2003	Thuma	D8/315
7,716,789	B1	5/2010	Zevallos		
D637,885	S *	5/2011	Buck	D8/308

* cited by examiner

Primary Examiner — Paula Greene

(74) *Attorney, Agent, or Firm* — Ralph D. Chabot

(57) **CLAIM**

The ornamental design for a door handle assembly, as shown and described.

DESCRIPTION

FIG. 1 is a top, front, left side perspective view;
FIG. 2 is a front elevation view;
FIG. 3 is a left side elevation view;
FIG. 4 is a rear elevation view;
FIG. 5 is a right side elevation view;
FIG. 6 is a top plan view;
FIG. 7 is a bottom plan view; and,
FIG. 8 is a top, front, left side perspective view in an alternate position.
The broken line portion of the figure drawings is included to show unclaimed subject matter only and forms no part of the claimed design.

1 Claim, 3 Drawing Sheets

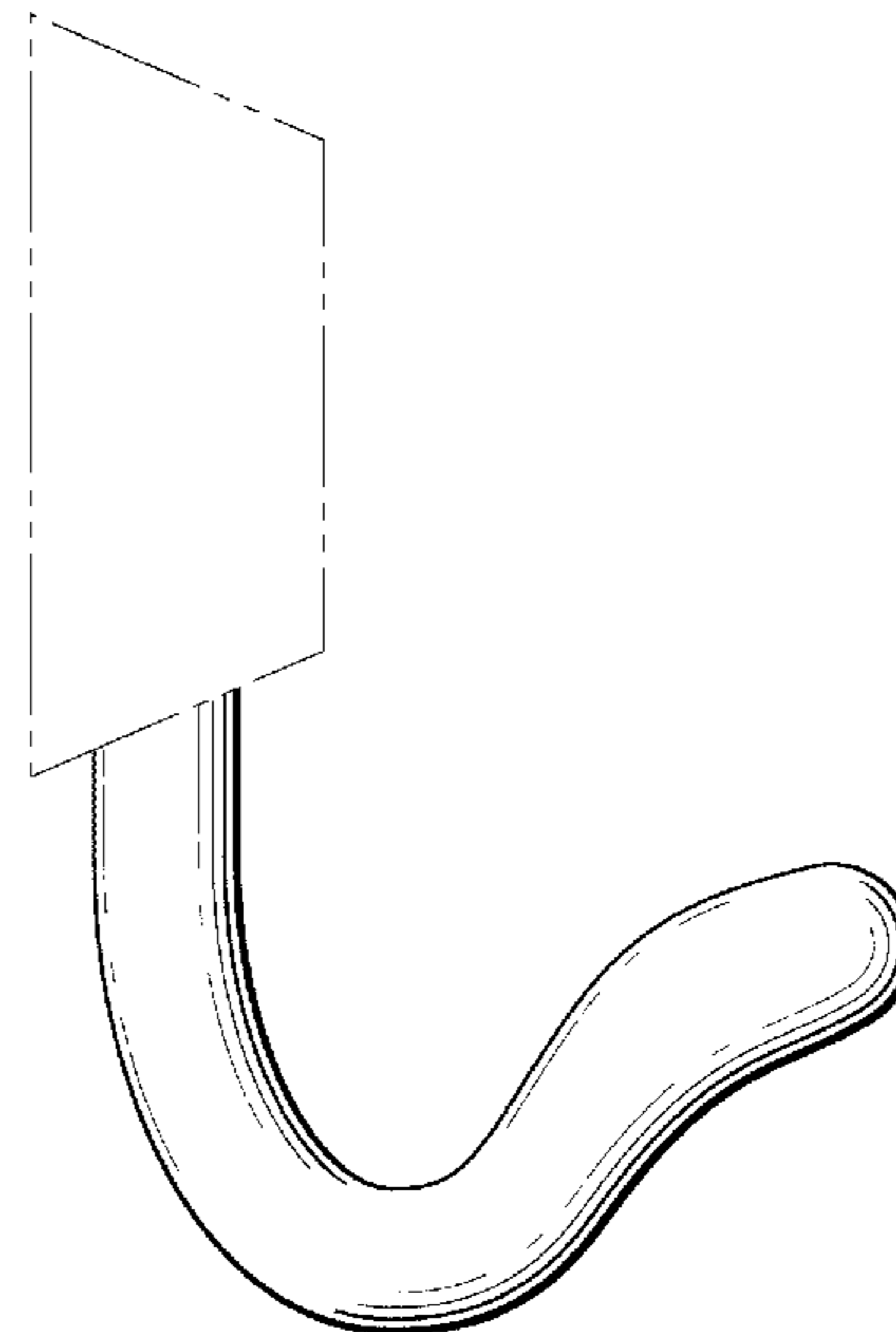
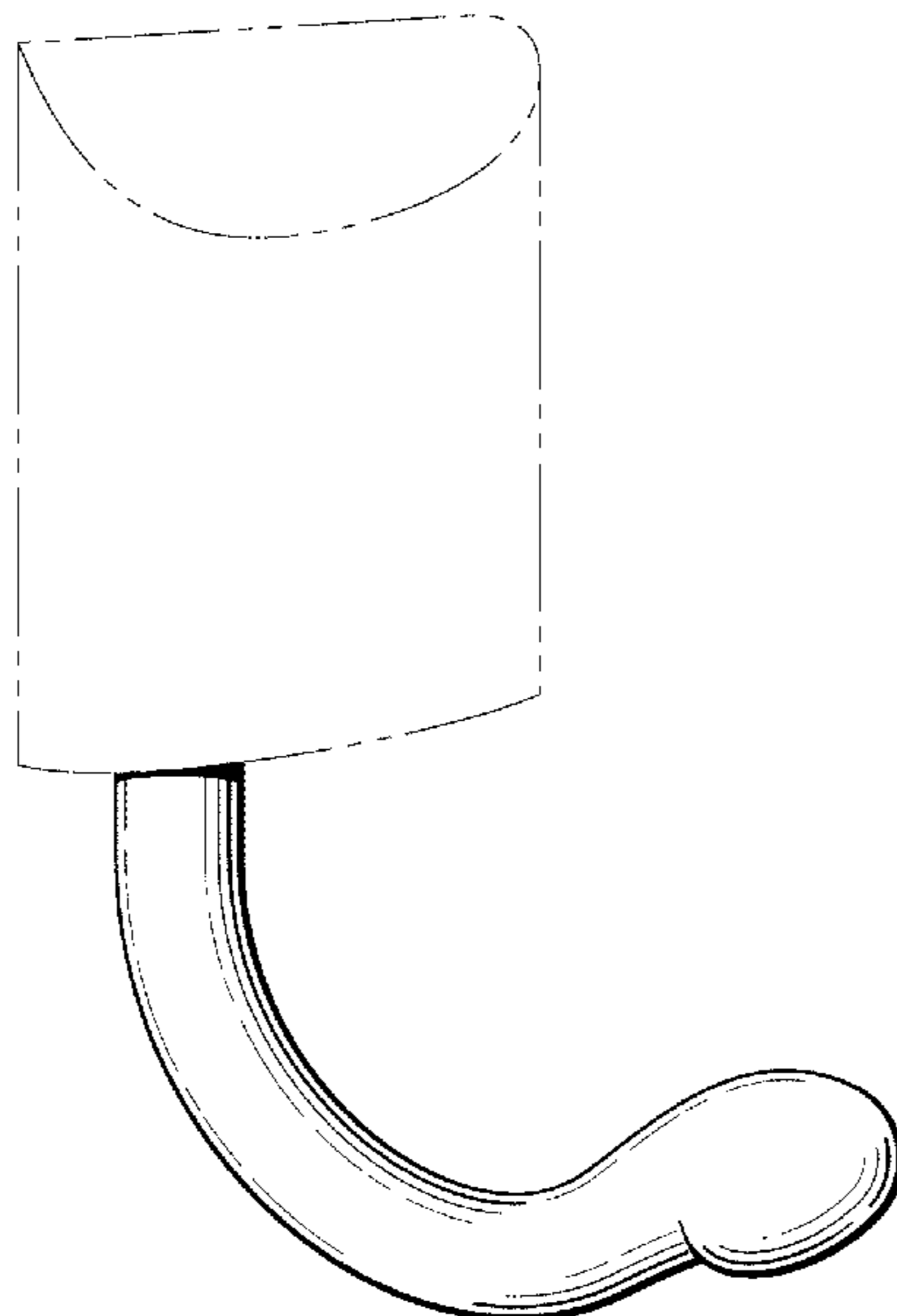


FIG. 1

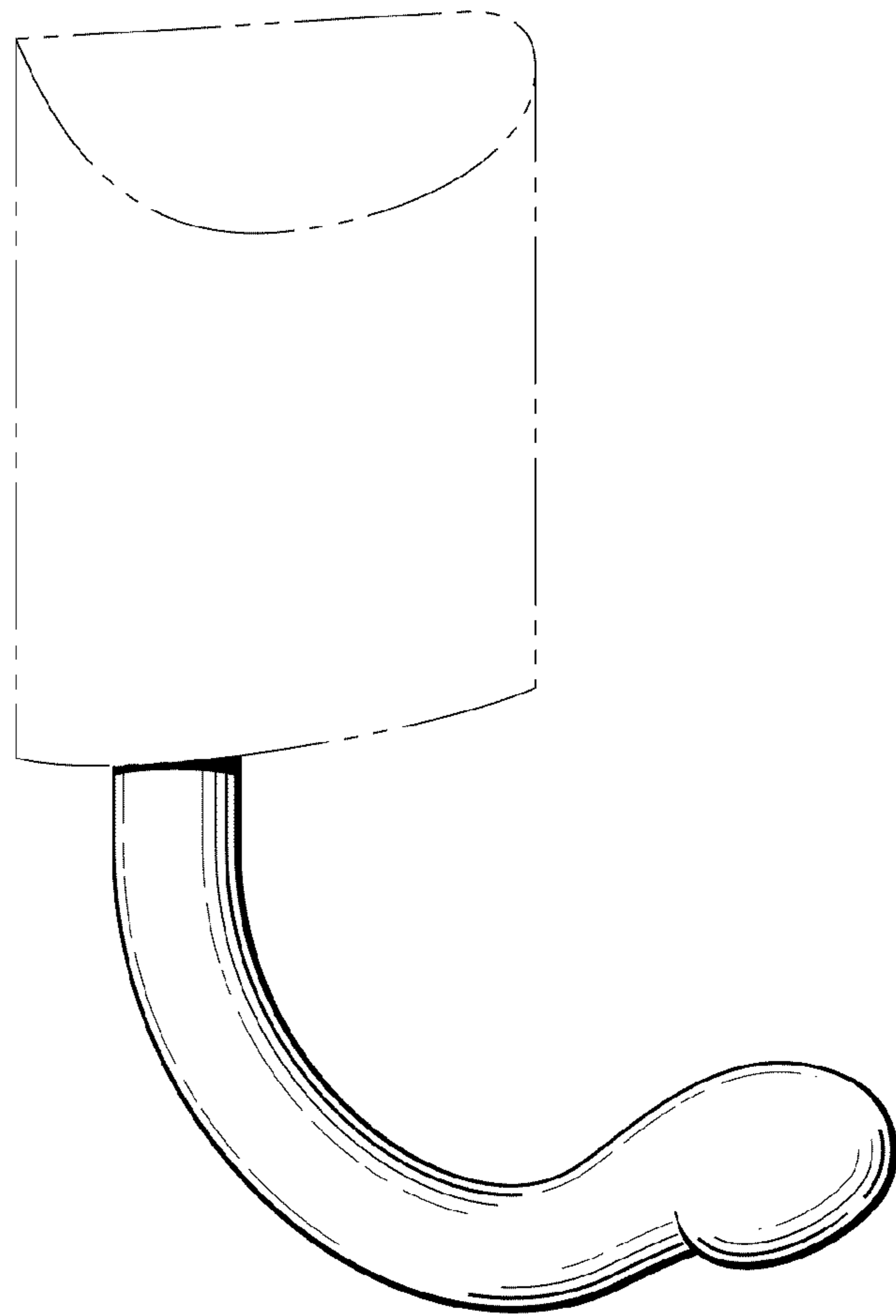


FIG. 2

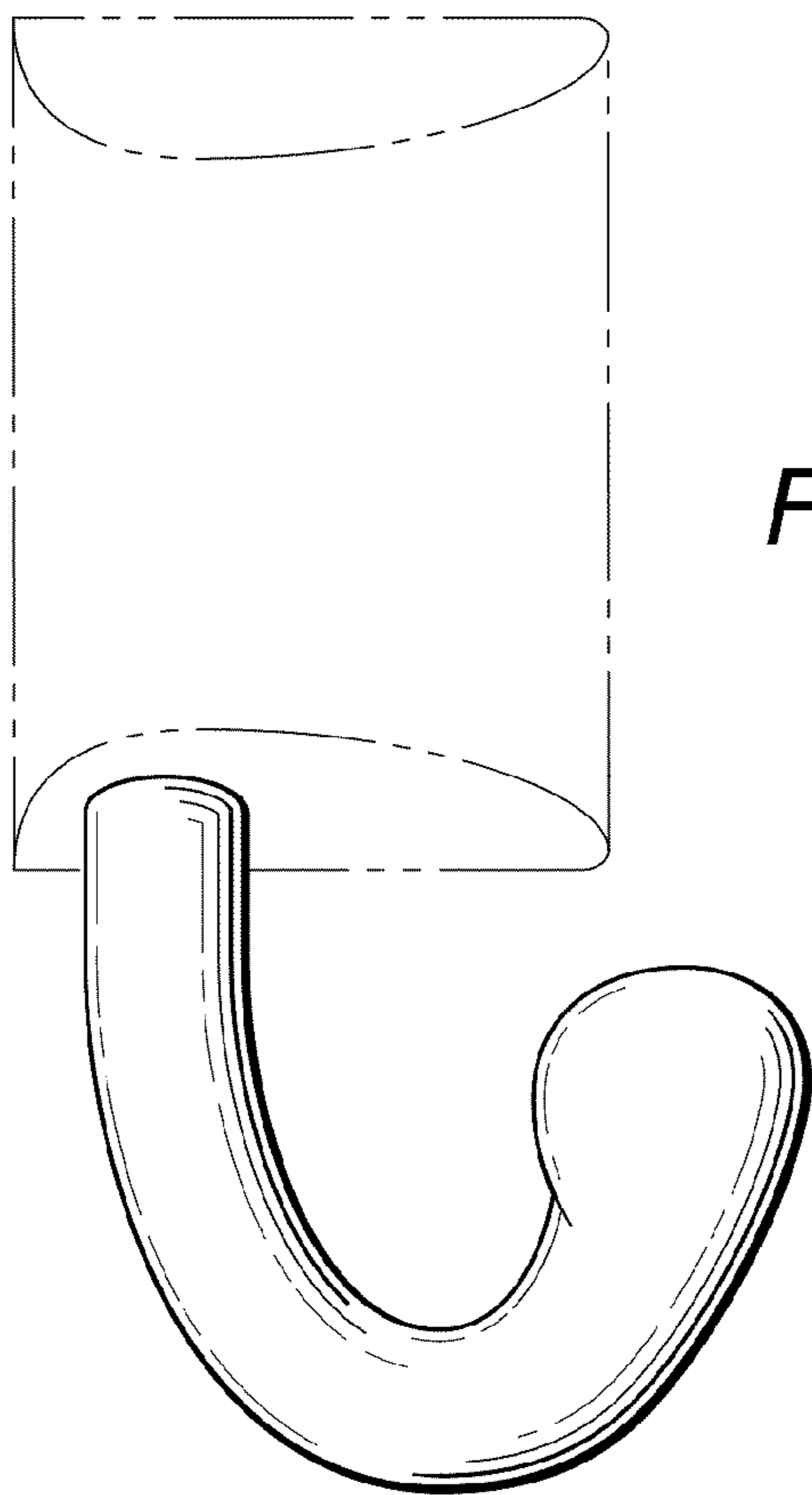


FIG. 4

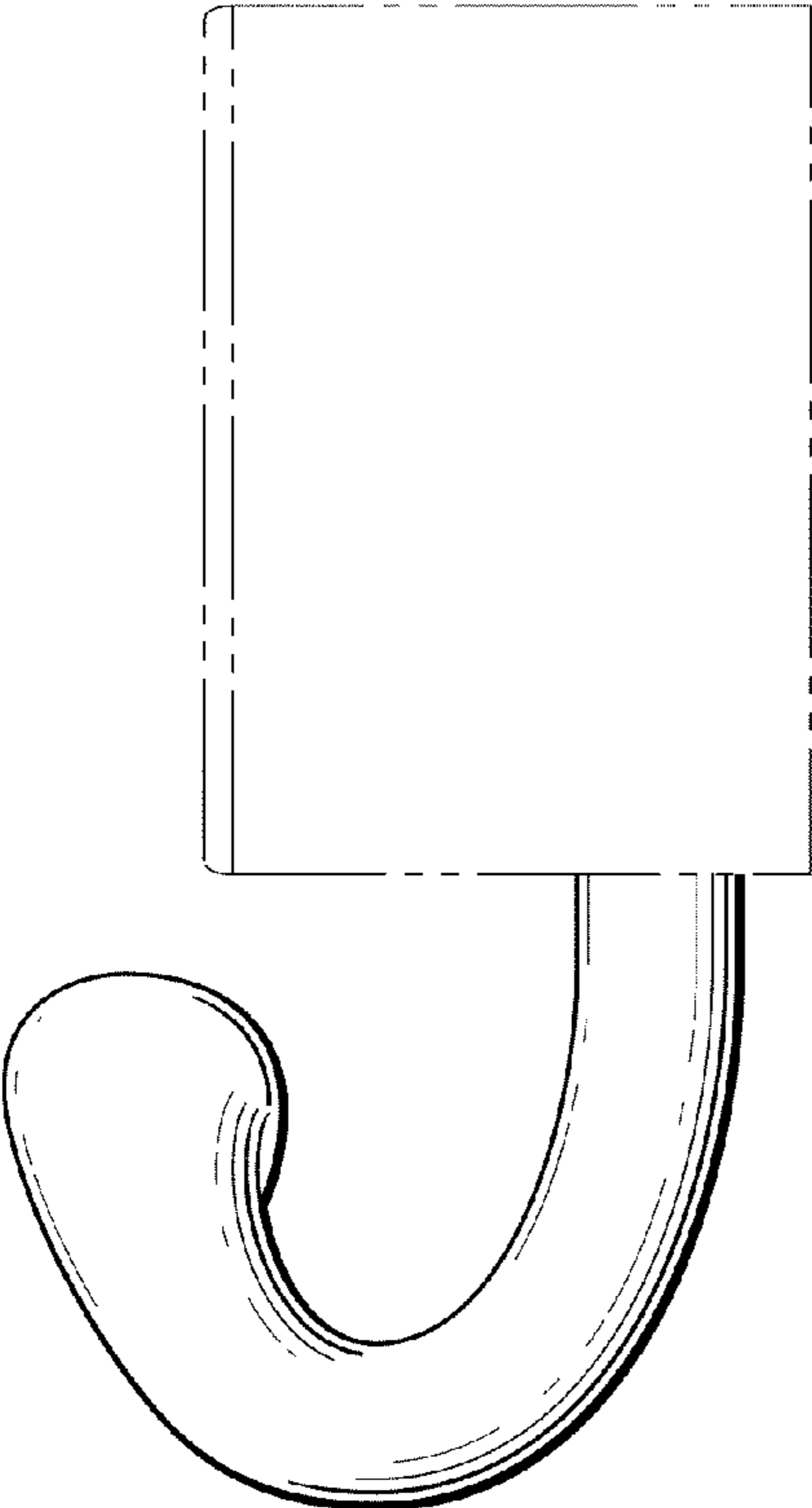


FIG. 3

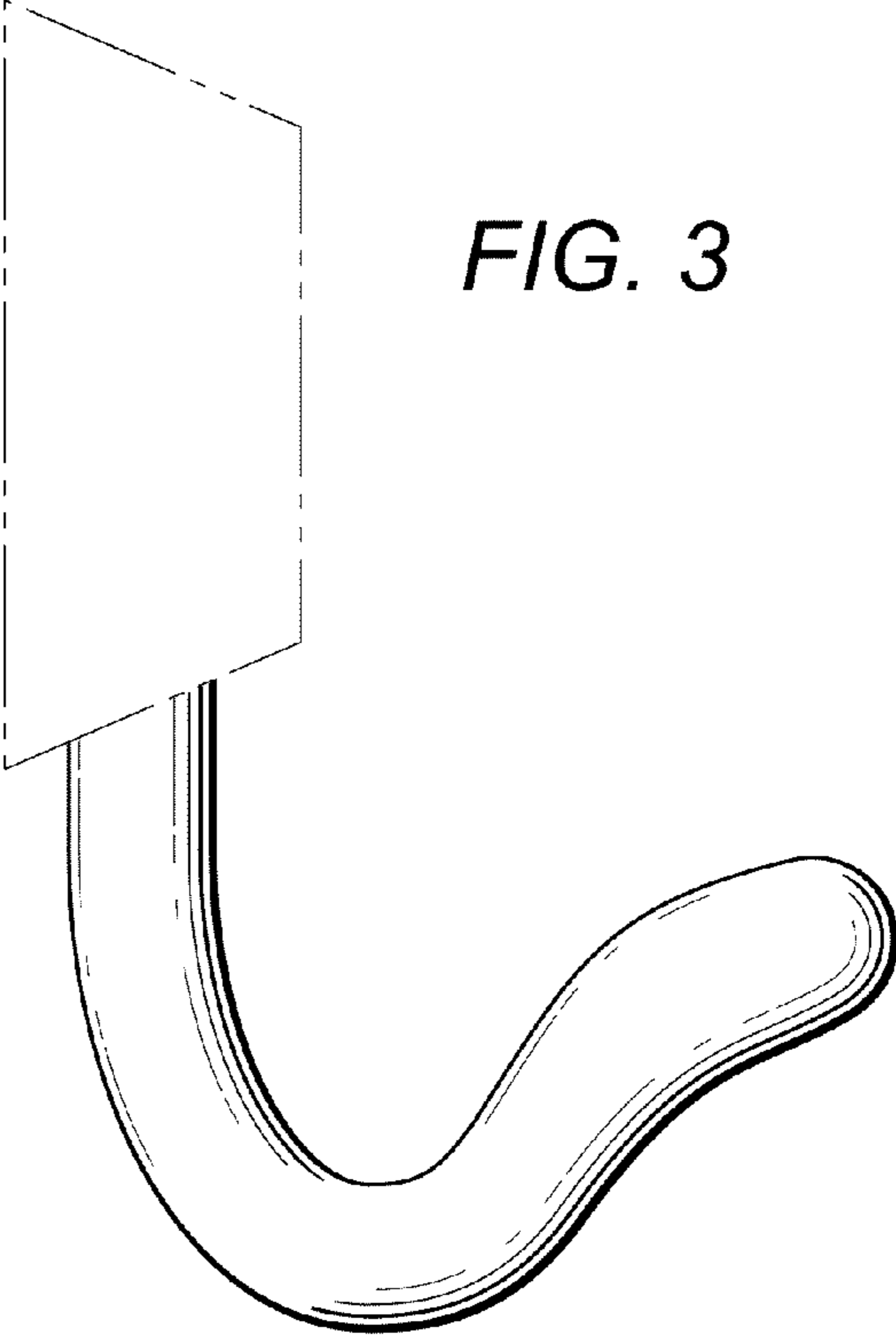


FIG. 5

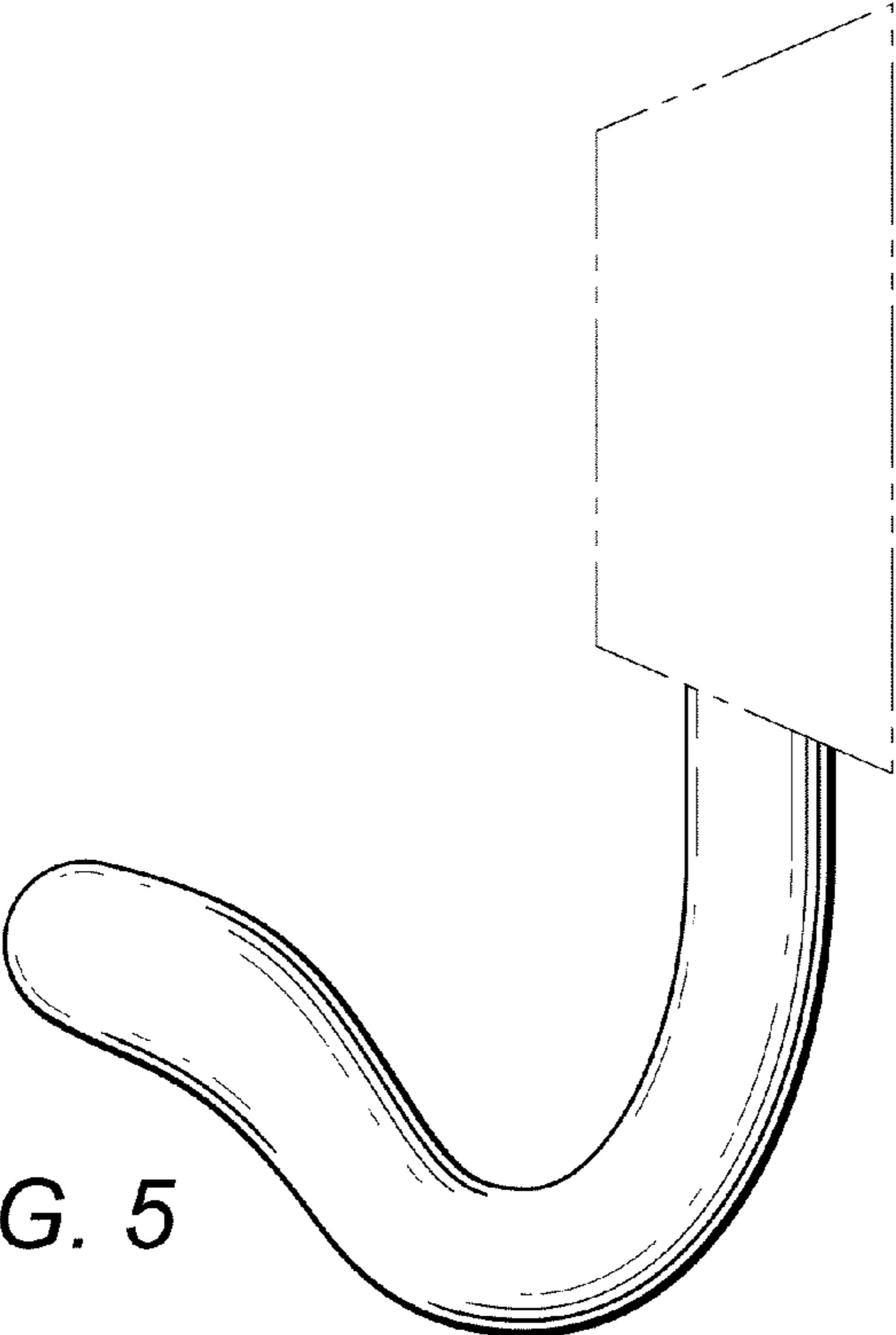


FIG. 6

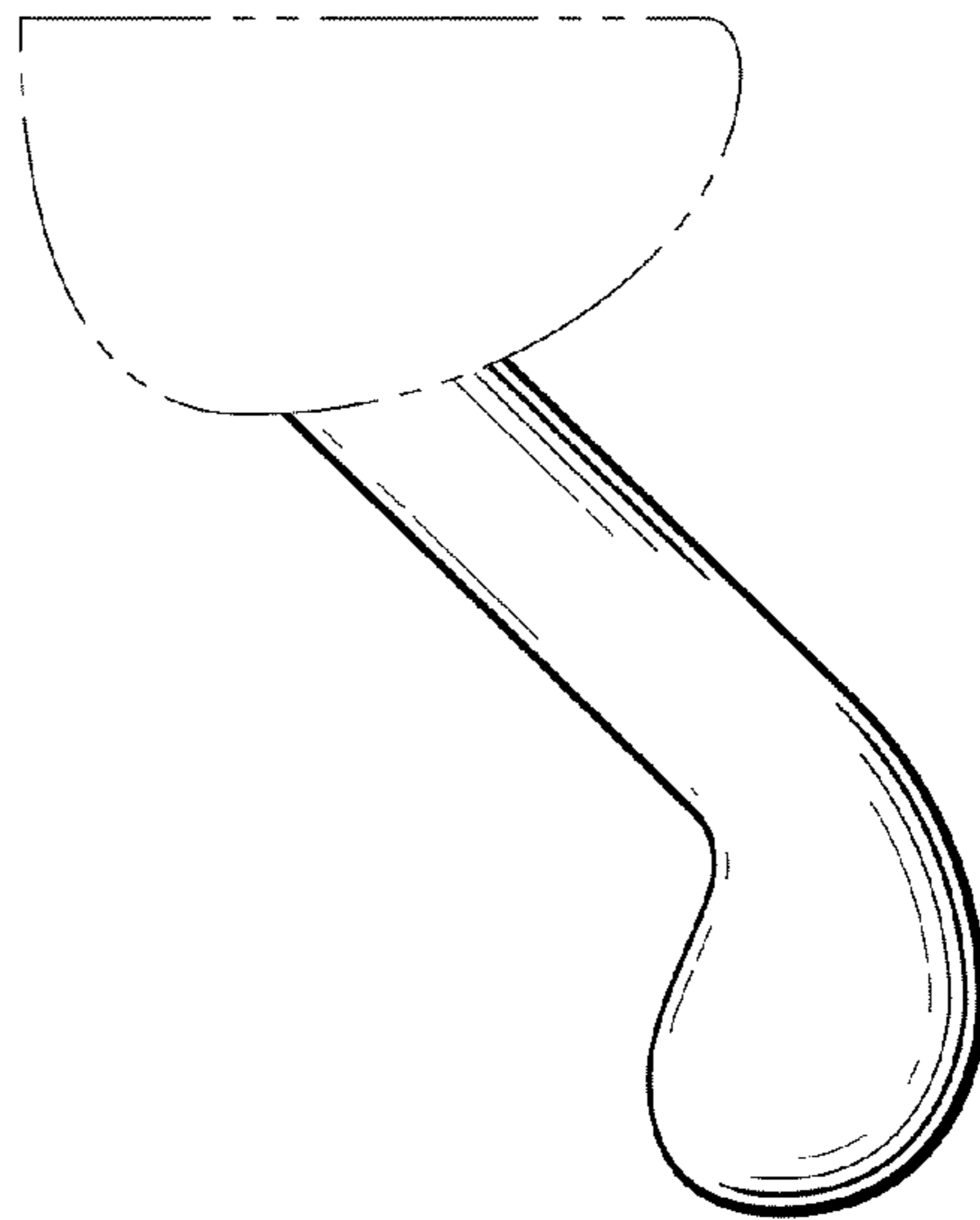


FIG. 7

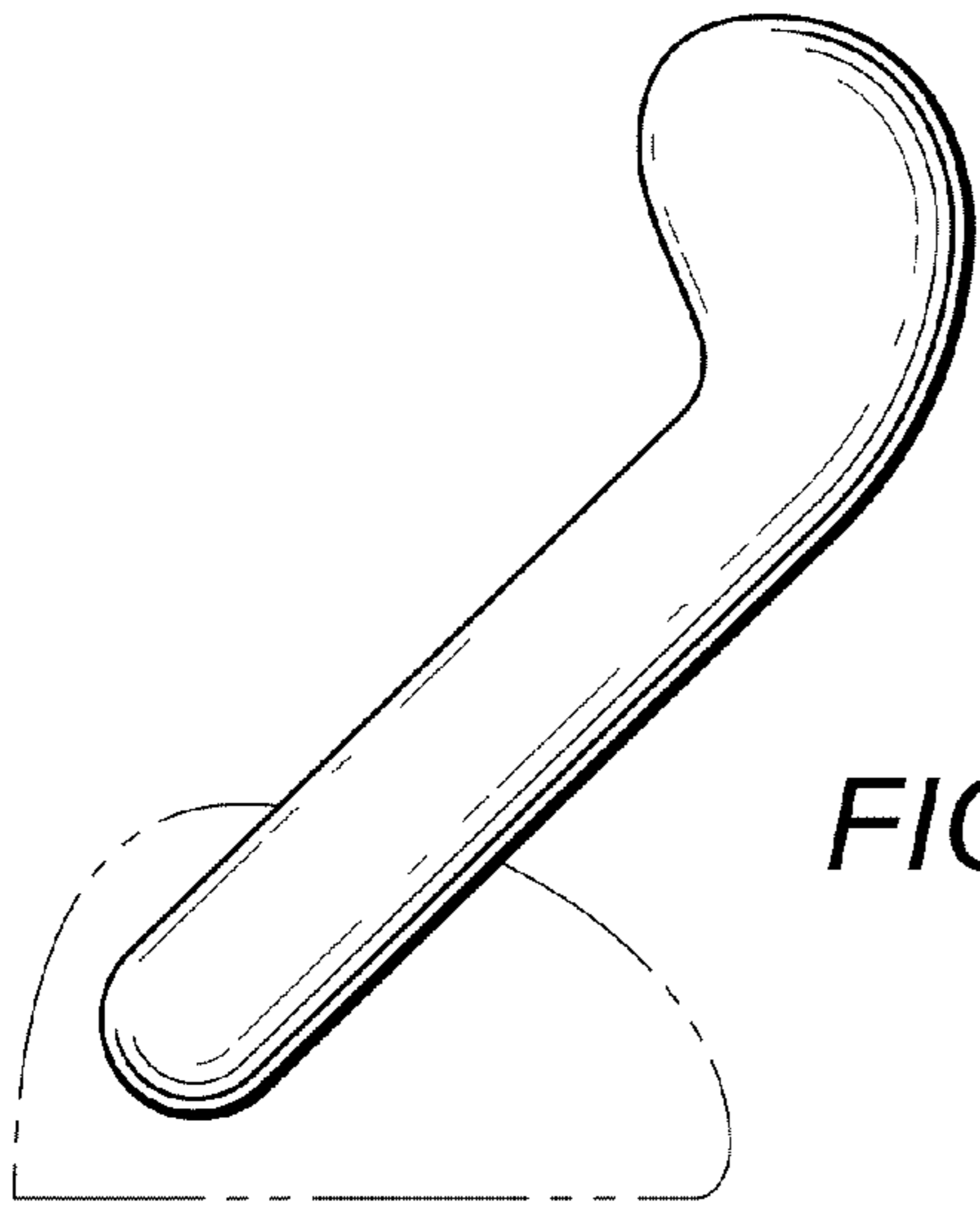


FIG. 8

