



US00D645723S

(12) **United States Design Patent**
Roe et al.

(10) **Patent No.:** **US D645,723 S**

(45) **Date of Patent:** **** Sep. 27, 2011**

(54) **CABINET AND/OR DRAWER KNOB**

(75) Inventors: **Megan Roe**, Roswell, GA (US); **Ryan Bishop**, Roswell, GA (US); **Jason Begin**, Roswell, GA (US)

(73) Assignee: **Newell Operating Company**, Atlanta, GA (US)

(**) Term: **14 Years**

(21) Appl. No.: **29/377,159**

(22) Filed: **Oct. 18, 2010**

(51) **LOC (9) Cl.** **08-06**

(52) **U.S. Cl.** **D8/307**

(58) **Field of Classification Search** D8/300,
D8/307, 310, DIG. 2; 16/110.1, 412; D23/250,
D23/252; D19/34.1, 96; D28/91.1; D26/154;
428/13, 28; 264/261, 267; 292/336.3

See application file for complete search history.

(56) **References Cited**

U.S. PATENT DOCUMENTS

| | | | |
|---------------|---------|-----------------|---------|
| D47,068 S | 3/1915 | Burns | |
| D47,069 S * | 3/1915 | Burns | D8/307 |
| D72,772 S * | 5/1927 | Kipper | D8/307 |
| D152,901 S * | 3/1949 | Petersen | D8/307 |
| D224,225 S * | 7/1972 | Doman | D23/250 |
| 4,626,454 A * | 12/1986 | Sandman | 428/13 |
| D290,159 S * | 6/1987 | Jans | D23/242 |
| D290,493 S * | 6/1987 | Dragos | D23/250 |
| D300,902 S * | 5/1989 | Kohler et al. | D8/307 |
| D327,530 S * | 6/1992 | Rawald | D23/250 |
| D355,837 S | 2/1995 | Chieda | |
| D429,991 S * | 8/2000 | Short | D8/307 |
| D540,141 S * | 4/2007 | Berberet | D8/307 |
| D541,619 S * | 5/2007 | Ricereto | D8/307 |
| D542,116 S | 5/2007 | Ricereto et al. | |
| D551,934 S * | 10/2007 | Krumpe | D8/307 |
| D570,184 S * | 6/2008 | Ricereto | D8/307 |

| | | | |
|--------------|---------|-------------|--------|
| D579,749 S | 11/2008 | Jou | |
| D580,252 S | 11/2008 | Hoernig | |
| D580,733 S * | 11/2008 | Hanes | D8/307 |
| D580,735 S | 11/2008 | Matijevic | |
| D580,736 S | 11/2008 | Matijevic | |
| D580,737 S | 11/2008 | Singtoroj | |
| D584,127 S | 1/2009 | Matijevic | |
| D587,556 S | 3/2009 | Marks | |
| D589,776 S | 4/2009 | Camp | |
| D592,483 S | 5/2009 | Ricereto | |
| D592,484 S | 5/2009 | Ricereto | |
| D600,997 S | 9/2009 | McConnell | |
| D602,334 S | 10/2009 | Hanes | |
| D602,335 S | 10/2009 | Hanes | |
| D604,586 S | 11/2009 | Rauk et al. | |
| D606,381 S * | 12/2009 | Menzies | D8/307 |
| D621,238 S | 8/2010 | Rauk et al. | |

* cited by examiner

Primary Examiner — Paula Greene

(74) *Attorney, Agent, or Firm* — Taft Stettinius & Hollister LLP

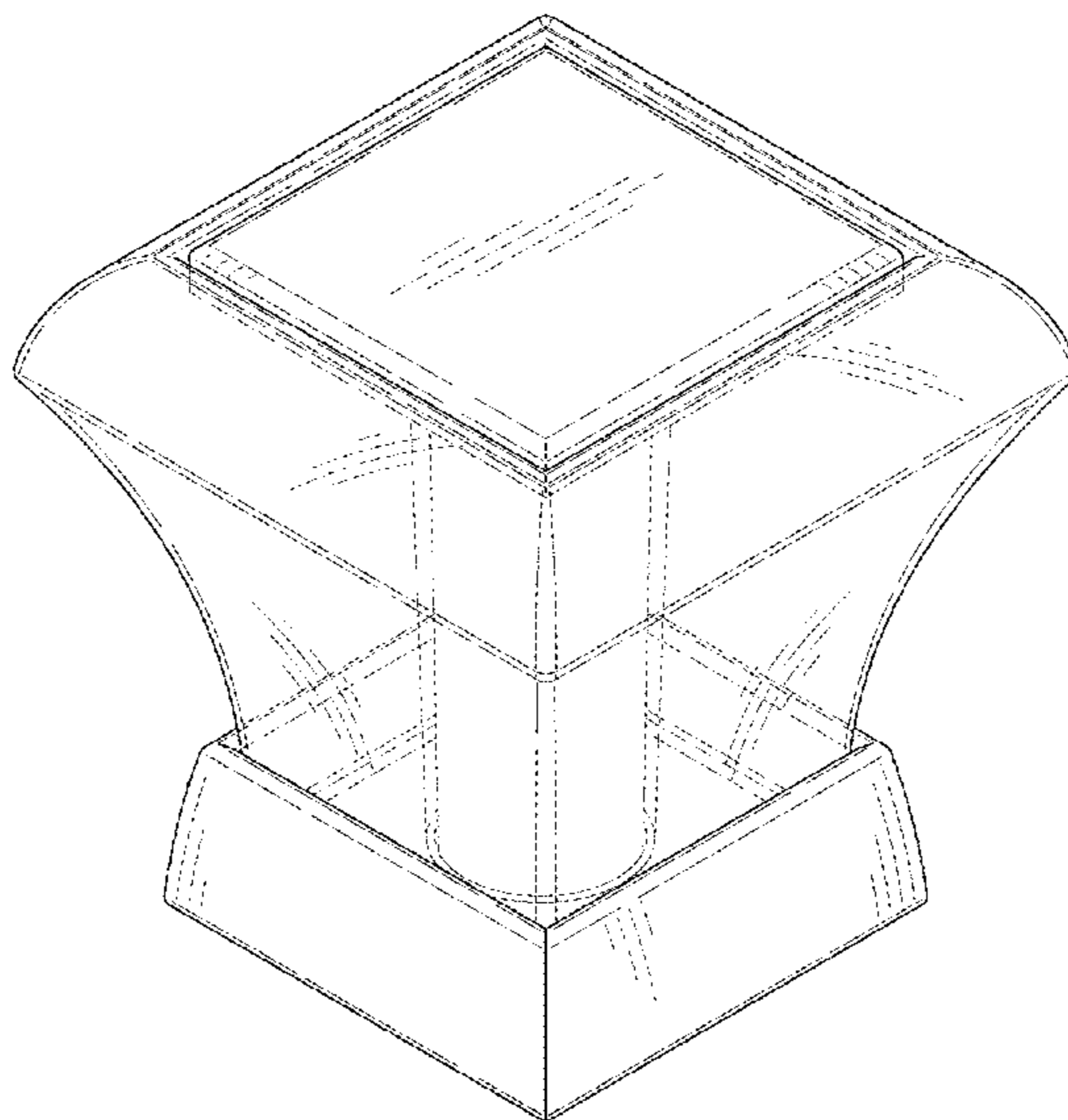
(57) **CLAIM**

We claim the ornamental design for a cabinet and/or drawer knob, as shown and described.

DESCRIPTION

FIG. 1 is a perspective view of a cabinet and/or drawer knob of the present claimed design;
FIG. 2 is a side elevation view of the cabinet and/or drawer knob shown in FIG. 1, the other side elevation views being identical thereto;
FIG. 3 is a top plan view of the cabinet and/or drawer knob shown in FIG. 1; and,
FIG. 4 is a bottom plan view of the cabinet and/or drawer knob shown in FIG. 1.
Features shown in broken lines in the drawing form no part of the claimed design.

1 Claim, 4 Drawing Sheets



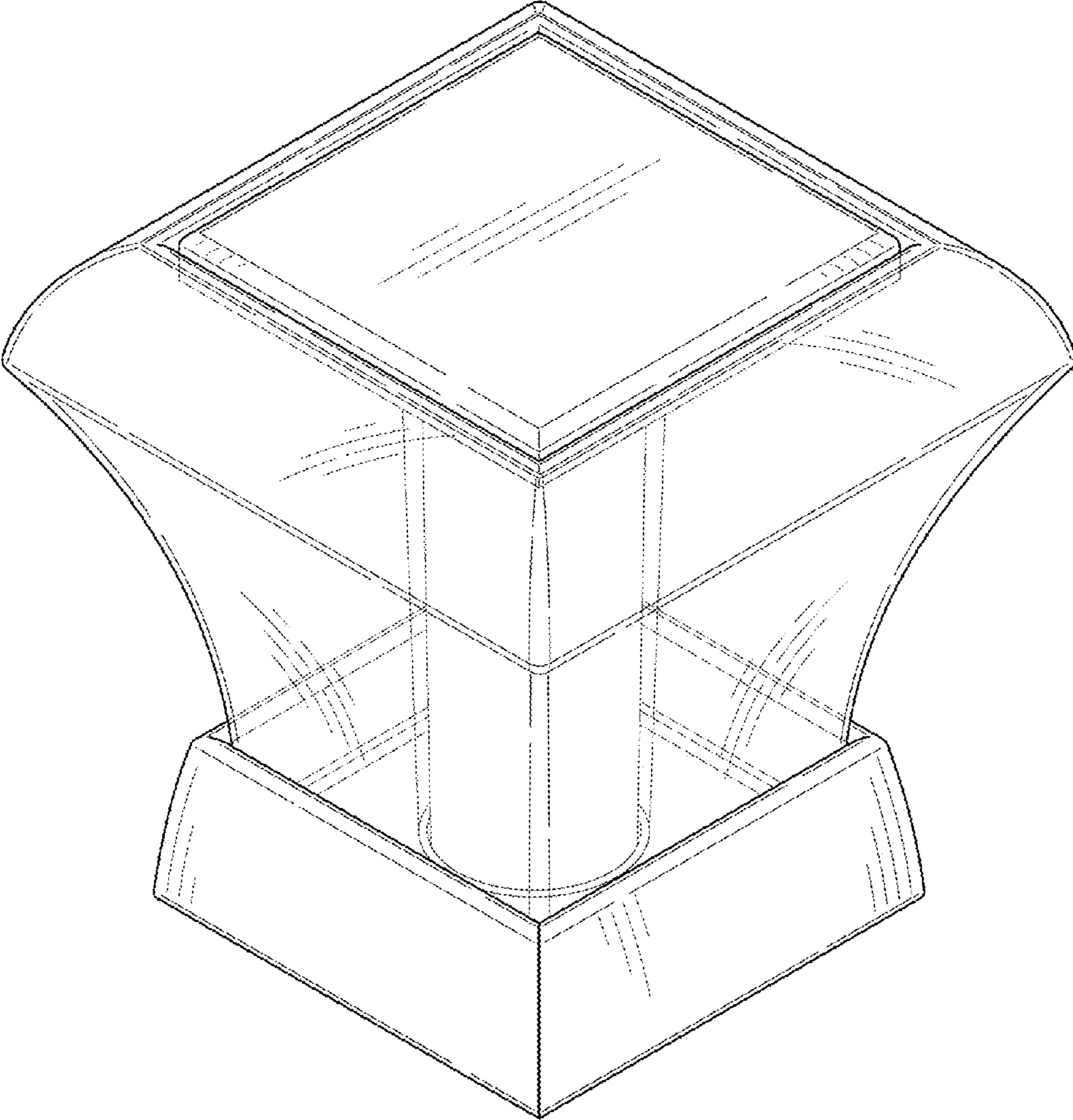


FIG. 1

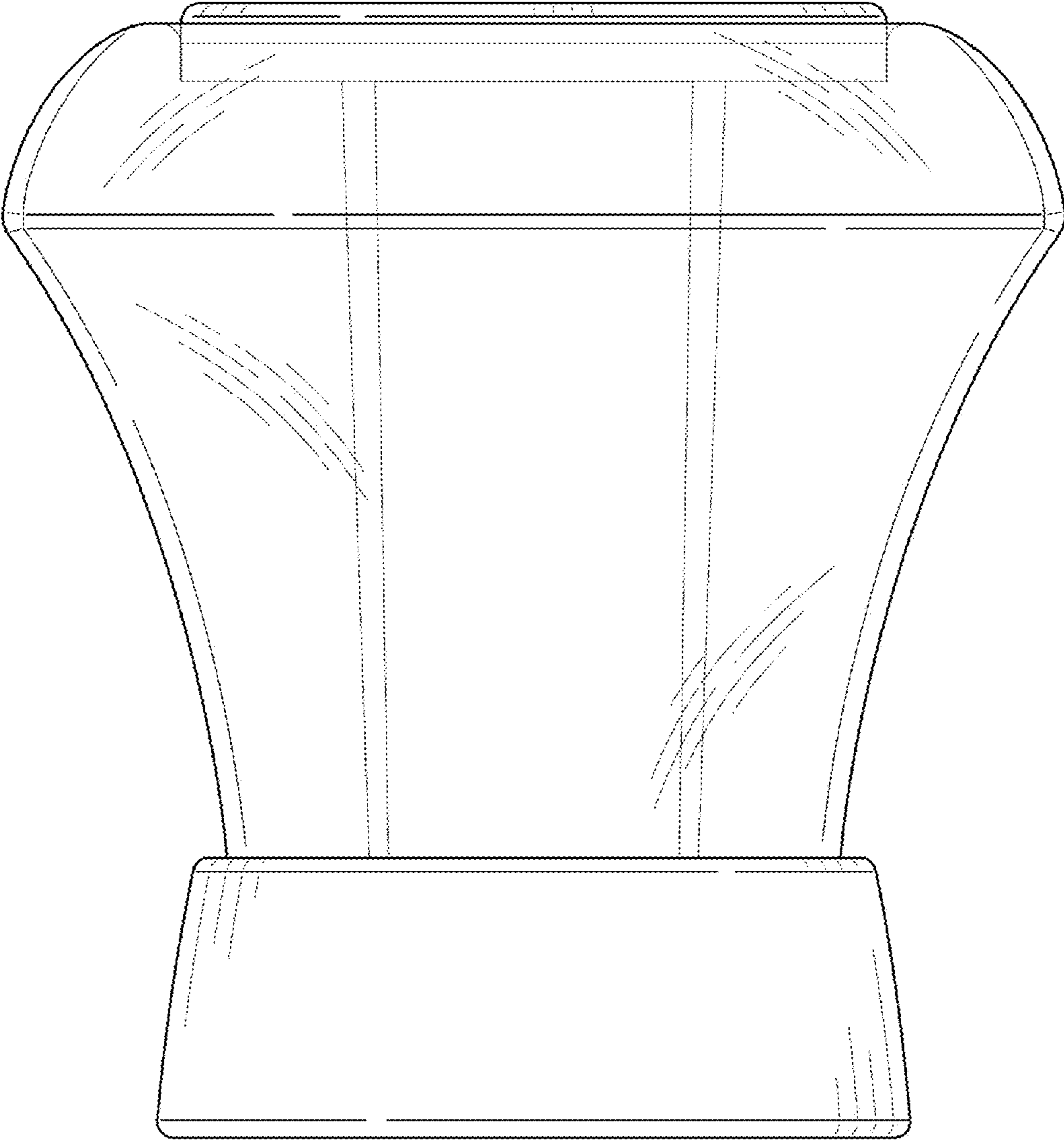


FIG. 2

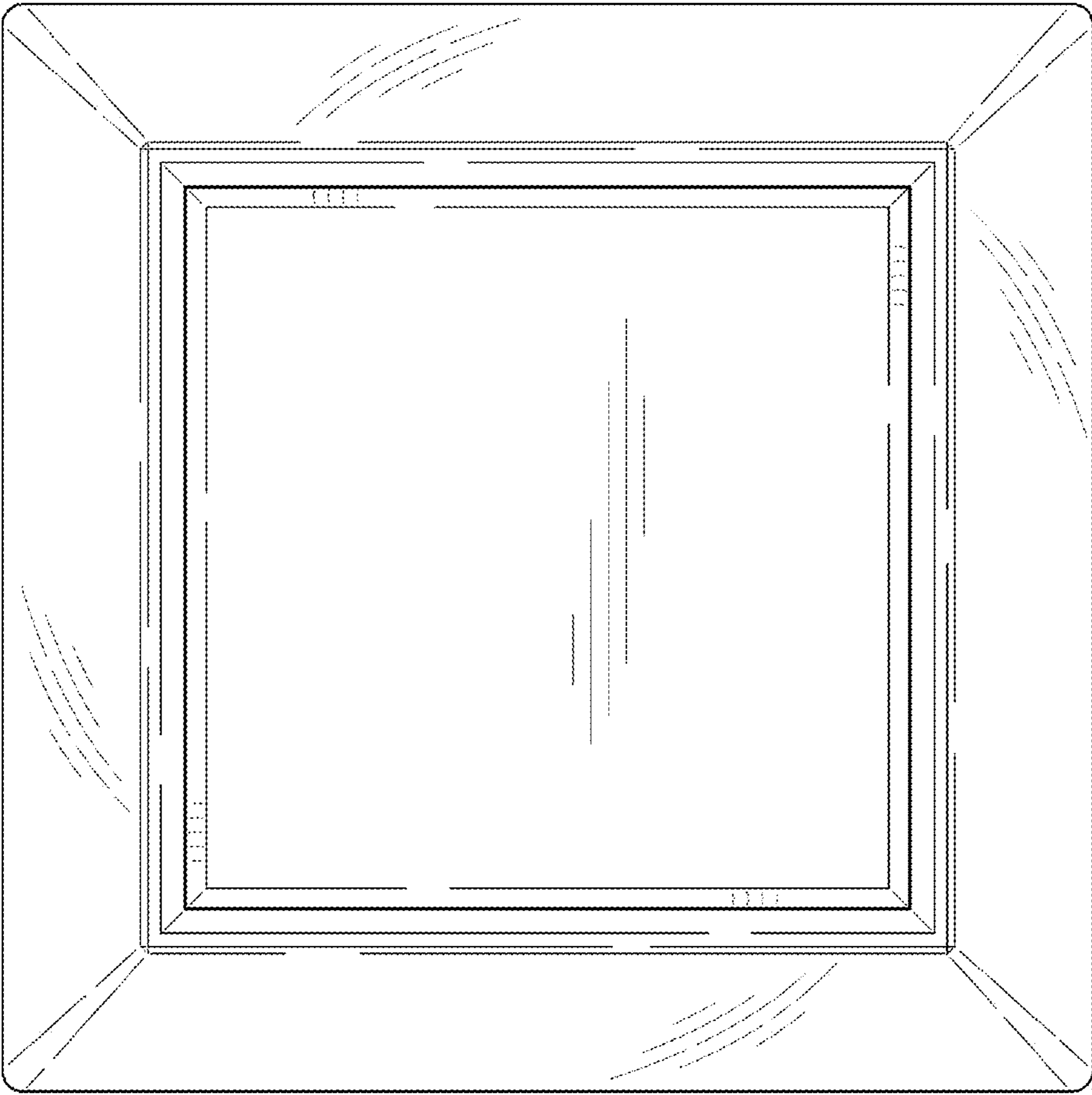


FIG. 3

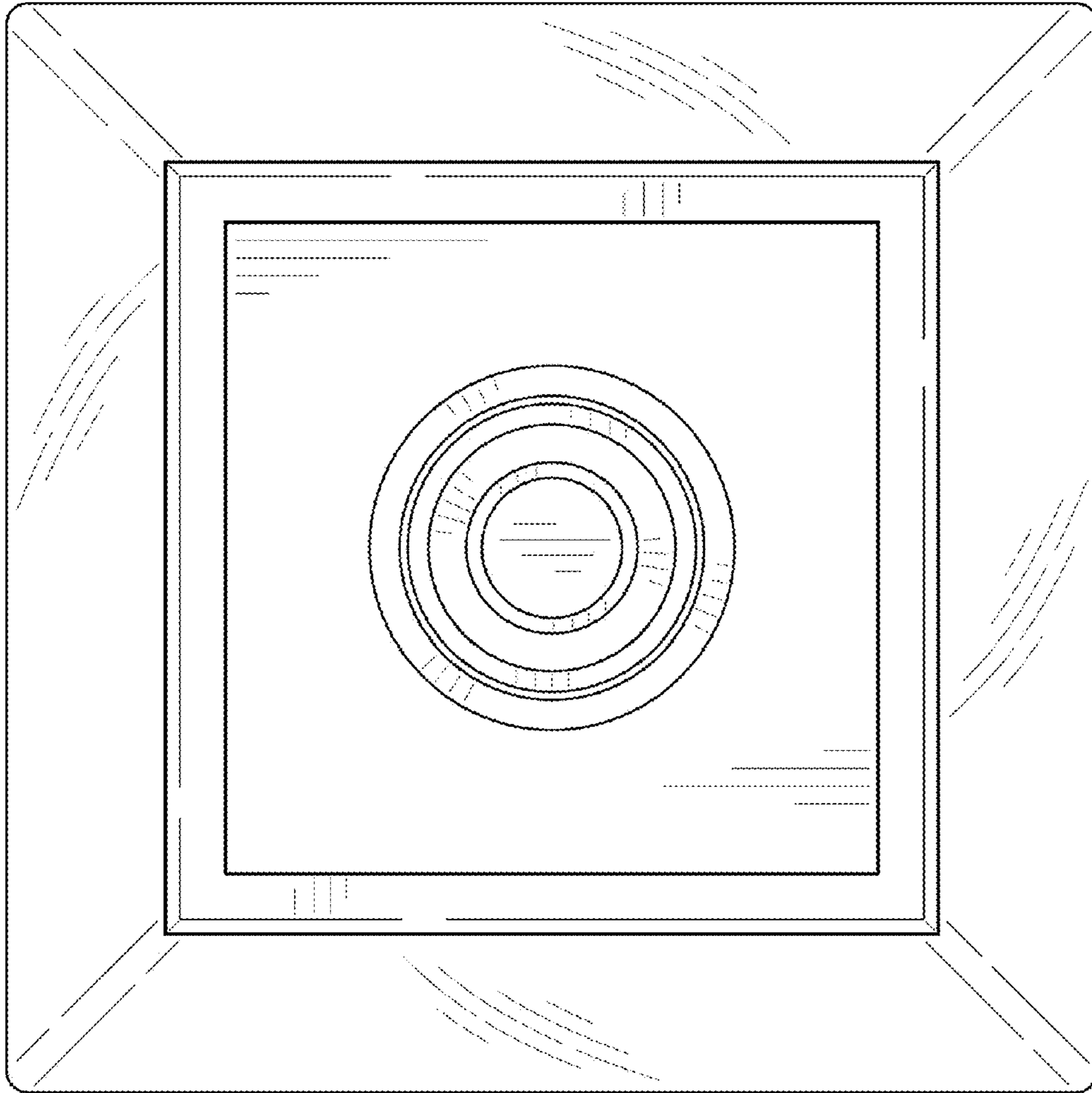


FIG. 4