



US00D645722S

(12) **United States Design Patent**  
**Yamaguchi**

(10) **Patent No.:** **US D645,722 S**

(45) **Date of Patent:** **\*\* Sep. 27, 2011**

(54) **MULTI-FUNCTION POCKET TOOL**

(75) **Inventor:** **Kazuma Yamaguchi**, Tokyo (JP)

(73) **Assignee:** **Victorinox AG** (CH)

(\*\*) **Term:** **14 Years**

(21) **Appl. No.:** **29/342,948**

(22) **Filed:** **Sep. 3, 2009**

(51) **LOC (9) Cl.** ..... **08-05**

(52) **U.S. Cl.** ..... **D8/105**

(58) **Field of Classification Search** ..... D8/99,  
D8/58, 55, 52, 356, 107, 105; D19/65; 81/440,  
81/427.5, 3.35; 7/160, 138, 128, 118; 30/298.4,  
30/162, 161, 155; 362/119; D27/142, 143;  
D14/492

See application file for complete search history.

(56) **References Cited**

**U.S. PATENT DOCUMENTS**

D172,108	S	*	5/1954	Polincovsky	.....	D27/142
4,856,132	A	*	8/1989	Burns et al.	.....	7/118
D364,327	S	*	11/1995	Graham	.....	D8/105
5,653,525	A	*	8/1997	Park	.....	362/119
6,047,619	A	*	4/2000	Anderson et al.	.....	81/440
D433,915	S	*	11/2000	Elsener, Sr.	.....	D8/105
6,142,769	A	*	11/2000	Walker	.....	431/253
D434,961	S	*	12/2000	Elsener, Sr.	.....	D8/107
D448,267	S	*	9/2001	Jean et al.	.....	D8/105
D452,037	S	*	12/2001	Smith	.....	D27/143
D456,687	S	*	5/2002	Economos et al.	.....	D8/105
D462,002	S	*	8/2002	Jean et al.	.....	D8/105
D469,677	S	*	2/2003	Hung	.....	D8/105

D471,421	S	*	3/2003	Lang	.....	D8/105
D472,124	S	*	3/2003	Park	.....	D8/99
D479,788	S	*	9/2003	Ocklenburg	.....	D8/105
7,059,741	B2	*	6/2006	Elsener	.....	362/119
7,146,667	B2	*	12/2006	Elsener	.....	7/118
D551,802	S	*	9/2007	Rubin et al.	.....	D28/60
D559,266	S	*	1/2008	Oh et al.	.....	D14/496
7,373,681	B2	*	5/2008	Elsener	.....	7/118
D580,455	S	*	11/2008	Elsener	.....	D14/496
D600,526	S	*	9/2009	Avery et al.	.....	D8/105
D603,239	S	*	11/2009	Kunzendorf	.....	D8/105
D610,893	S	*	3/2010	Mudrick	.....	D8/99
2005/0081302	A1	*	4/2005	Elsener	.....	7/118

\* cited by examiner

*Primary Examiner* — Austin Murphy

(74) *Attorney, Agent, or Firm* — Lerner, David, Littenberg, Krumholz & Mentlik, LLP

(57) **CLAIM**

The ornamental design for multi-function pocket tool, as shown and described.

**DESCRIPTION**

FIG. 1 is a front perspective view of the multi-function pocket tool;

FIG. 2 is a rear elevational view thereof (the front view is a mirror image of the rear view);

FIG. 3 is a right side view thereof;

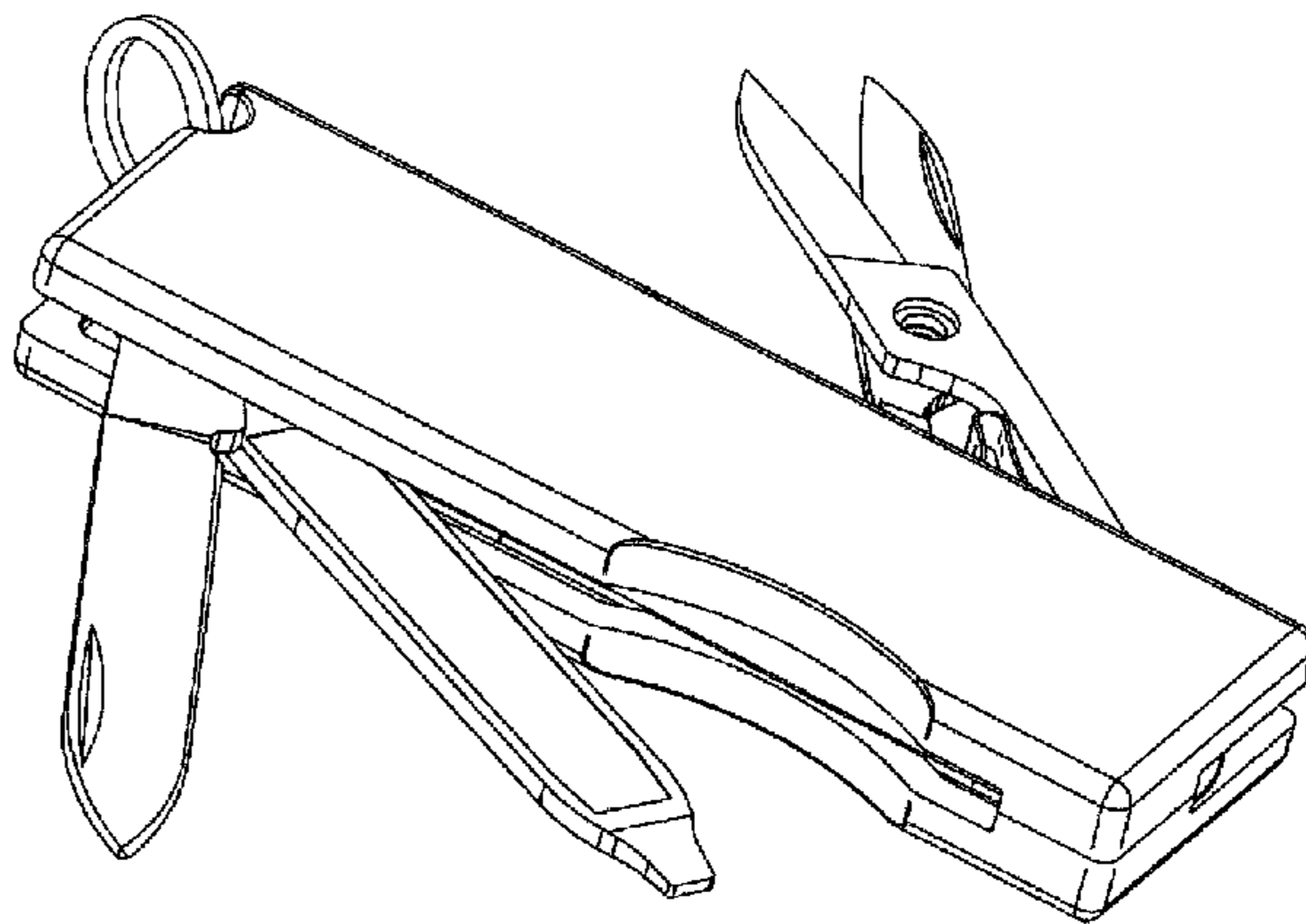
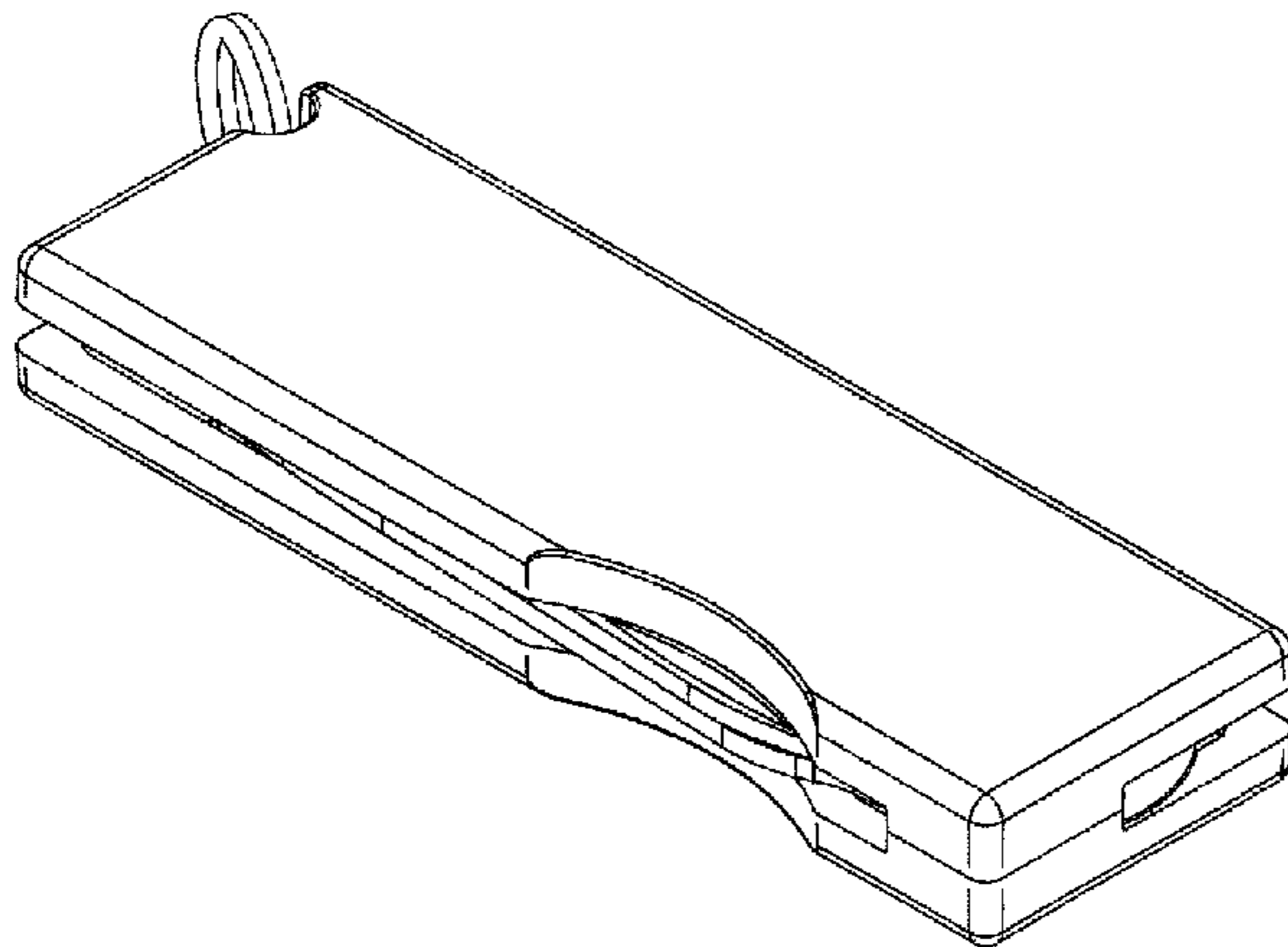
FIG. 4 is a left side view thereof;

FIG. 5 is a top plan view thereof;

FIG. 6 is a front perspective view thereof showing the tools extended outside of the tool housing; and,

FIG. 7 is a front elevational view of FIG. 6.

**1 Claim, 7 Drawing Sheets**



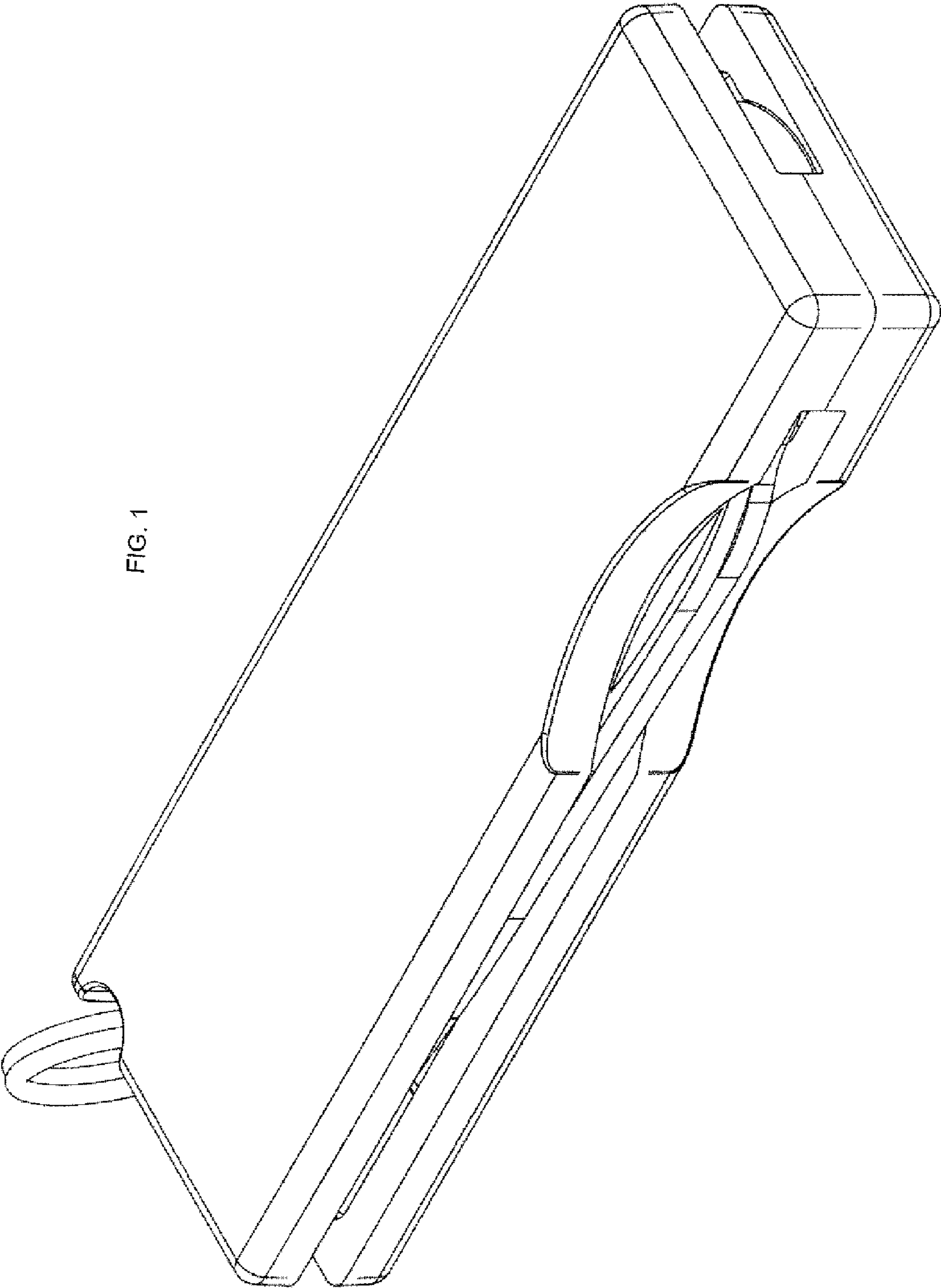


FIG. 1

FIG. 2

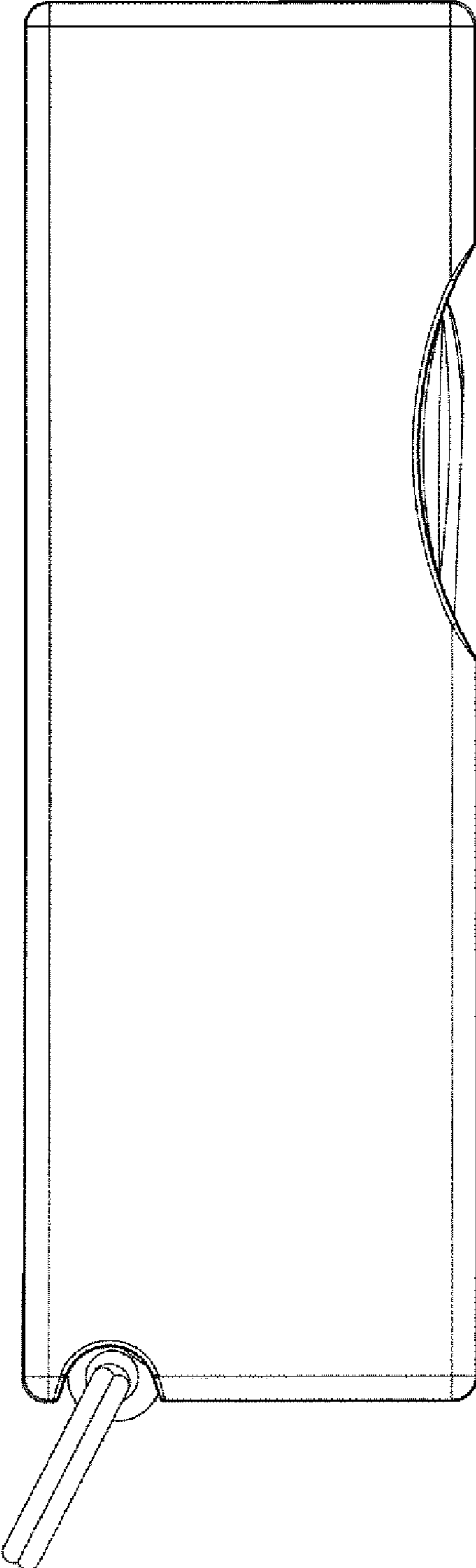


FIG. 3

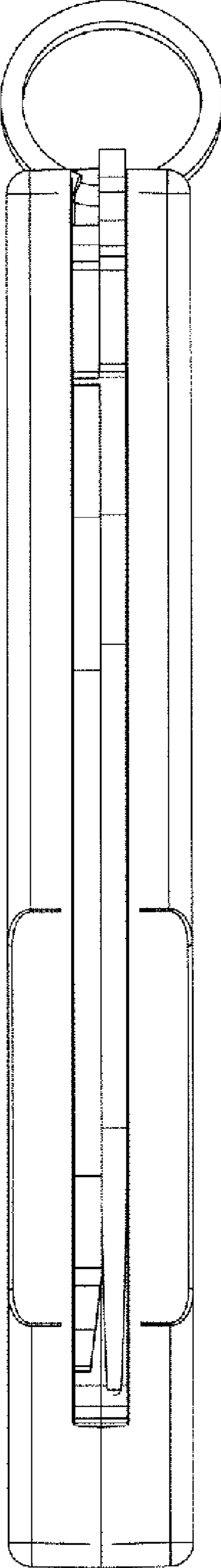


FIG. 4

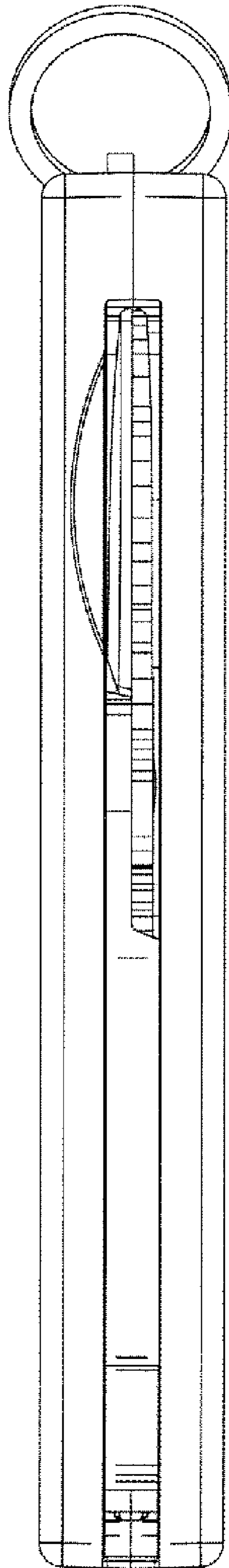
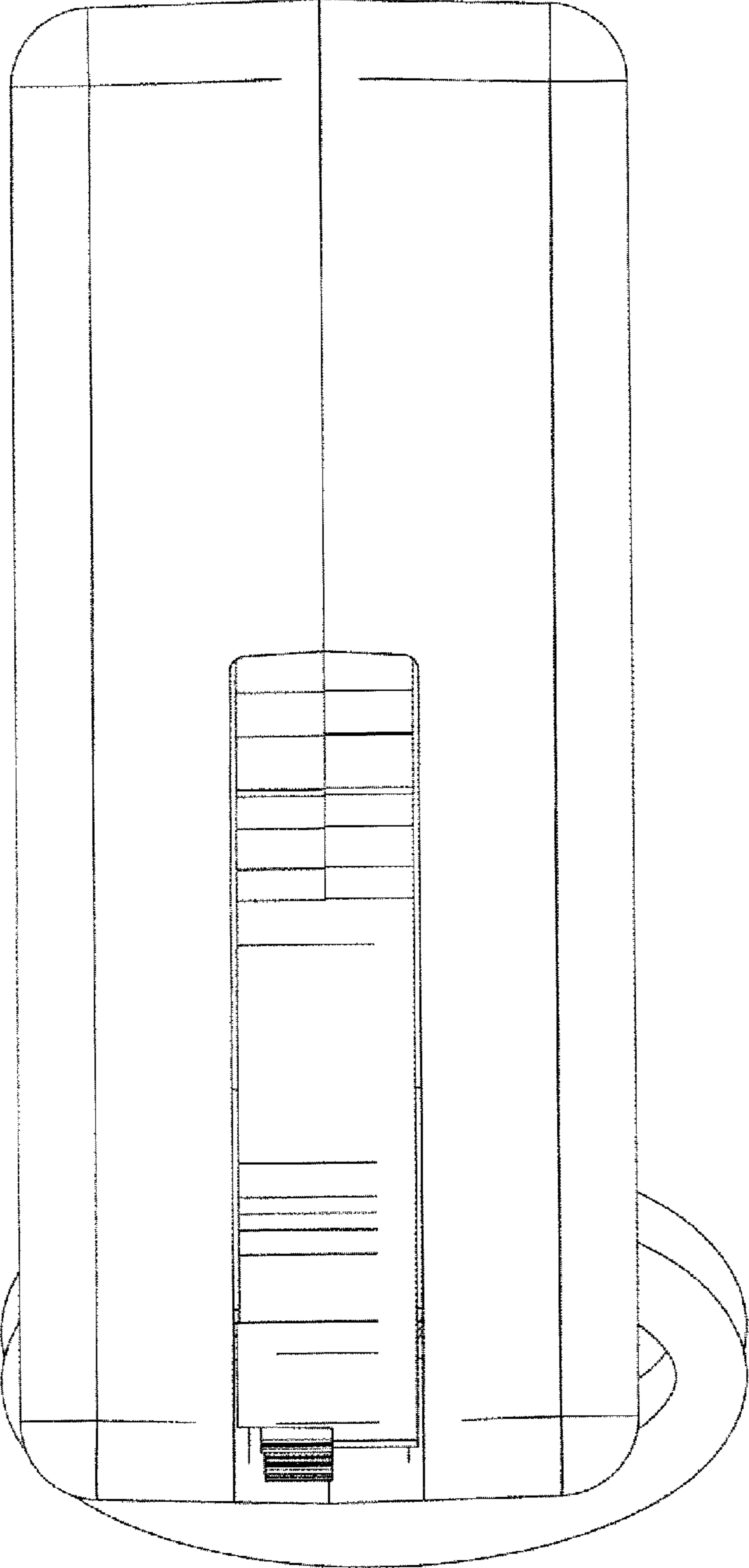


FIG. 5



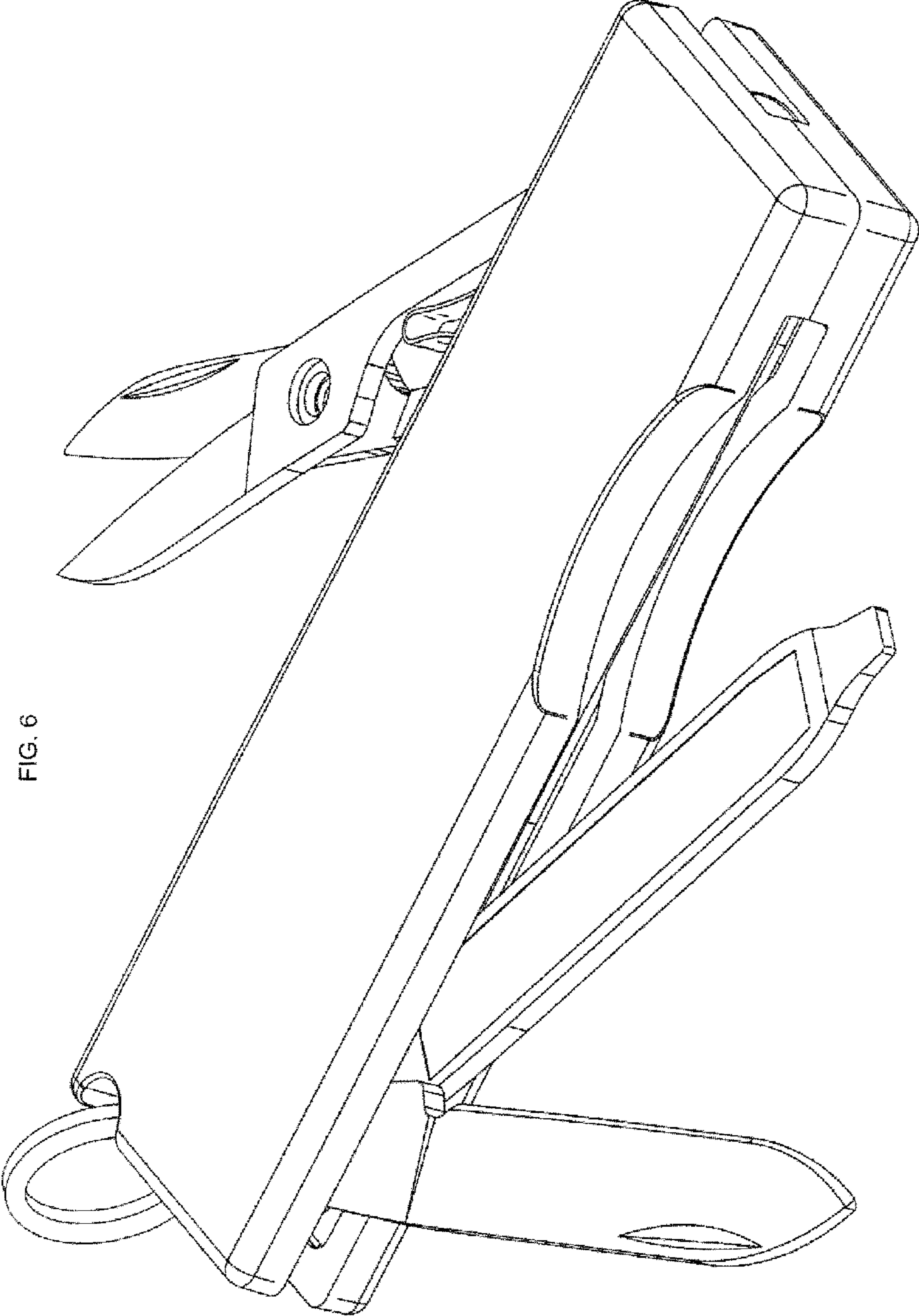


FIG. 6

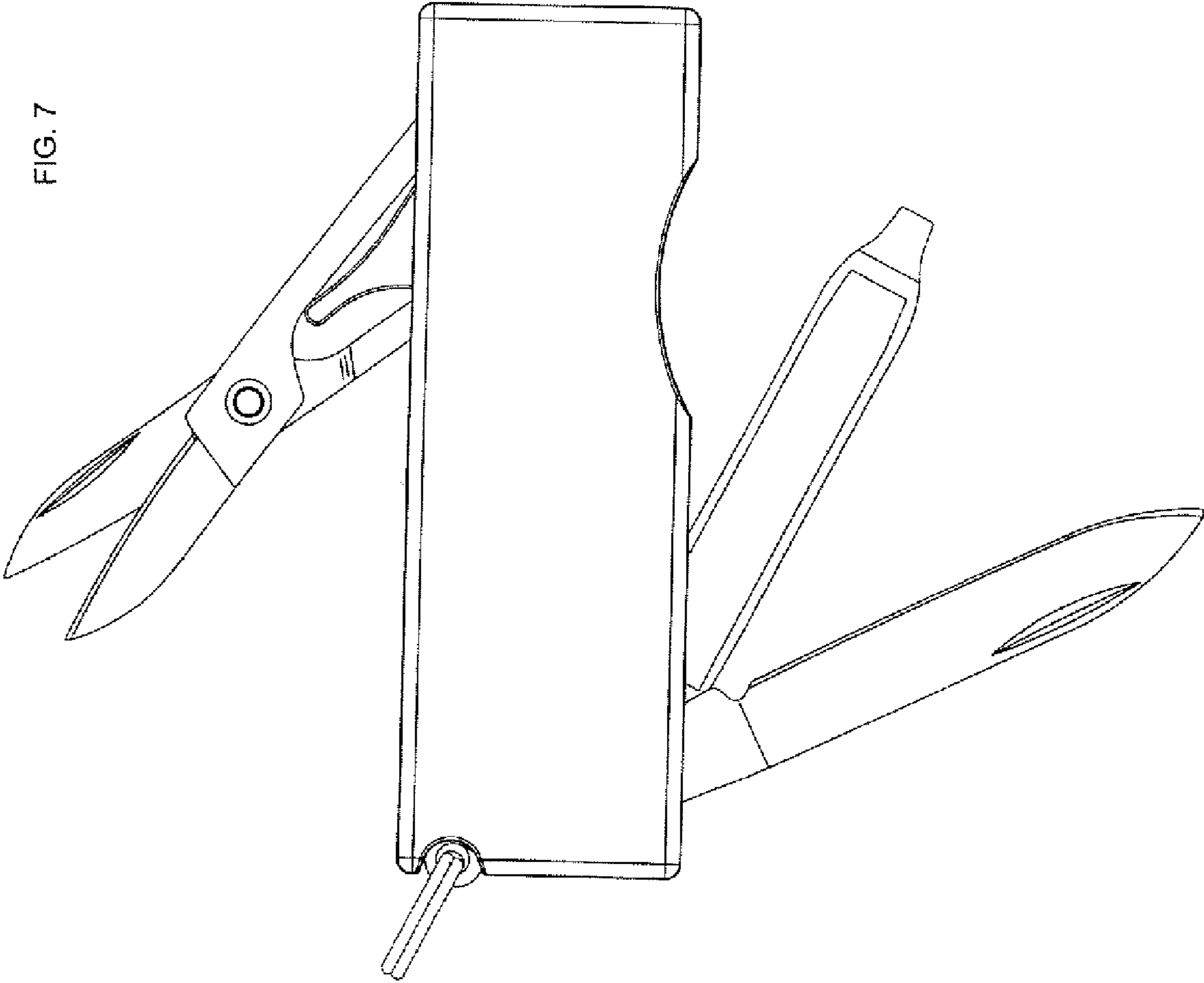


FIG. 7