

US00D645720S

(12) **United States Design Patent**
Wu

(10) **Patent No.:** **US D645,720 S**

(45) **Date of Patent:** **** Sep. 27, 2011**

(54) **UTILITY KNIFE**

(76) Inventor: **Yuewei Wu, Ninghai (CN)**

(**) Term: **14 Years**

(21) Appl. No.: **29/311,893**

(22) Filed: **Jul. 27, 2009**

(51) **LOC (9) Cl.** **08-03**

(52) **U.S. Cl.** **D8/99**

(58) **Field of Classification Search** D7/649;
D8/95-99, 107; D22/118; 30/154-162,
30/329-331

See application file for complete search history.

(56) **References Cited**

U.S. PATENT DOCUMENTS

D439,492 S *	3/2001	Martone et al.	D8/99
D454,042 S *	3/2002	Hsu	D8/99
D460,908 S *	7/2002	Sun	D8/99
D476,214 S *	6/2003	Hsu	D8/99
D517,894 S *	3/2006	Kondo et al.	D8/99
D523,316 S *	6/2006	Kondo et al.	D8/99
D553,936 S *	10/2007	Takamasa	D8/99
D559,651 S *	1/2008	Takamasa	D8/99

D560,462 S *	1/2008	Takamasa	D8/98
D565,919 S *	4/2008	Kondo et al.	D8/99
D567,622 S *	4/2008	Takamasa	D8/99
D596,915 S *	7/2009	Garcia et al.	D8/99
D602,325 S *	10/2009	van Deursen	D8/99
D602,326 S *	10/2009	Garcia et al.	D8/99
D610,892 S *	3/2010	Garcia et al.	D8/99

* cited by examiner

Primary Examiner — Phillip S Hyder

Assistant Examiner — Roselynn Cody

(57) **CLAIM**

The ornamental design for the utility knife, as shown and described.

DESCRIPTION

FIG. 1 is a front view of a utility knife showing my new design;

FIG. 2 is a rear view thereof;

FIG. 3 is a top view thereof;

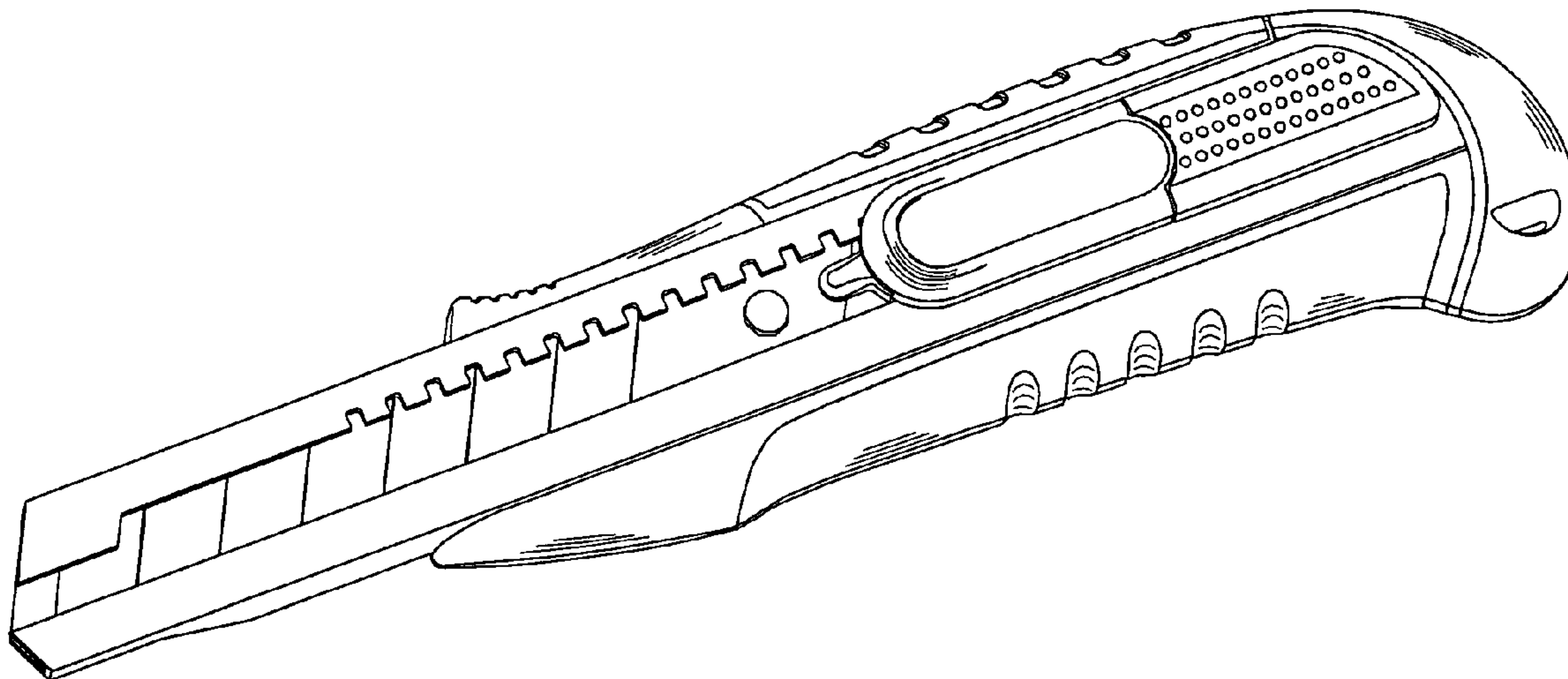
FIG. 4 is a bottom view thereof;

FIG. 5 is a left side view thereof;

FIG. 6 is a right side view thereof; and,

FIG. 7 is a perspective view thereof.

1 Claim, 3 Drawing Sheets



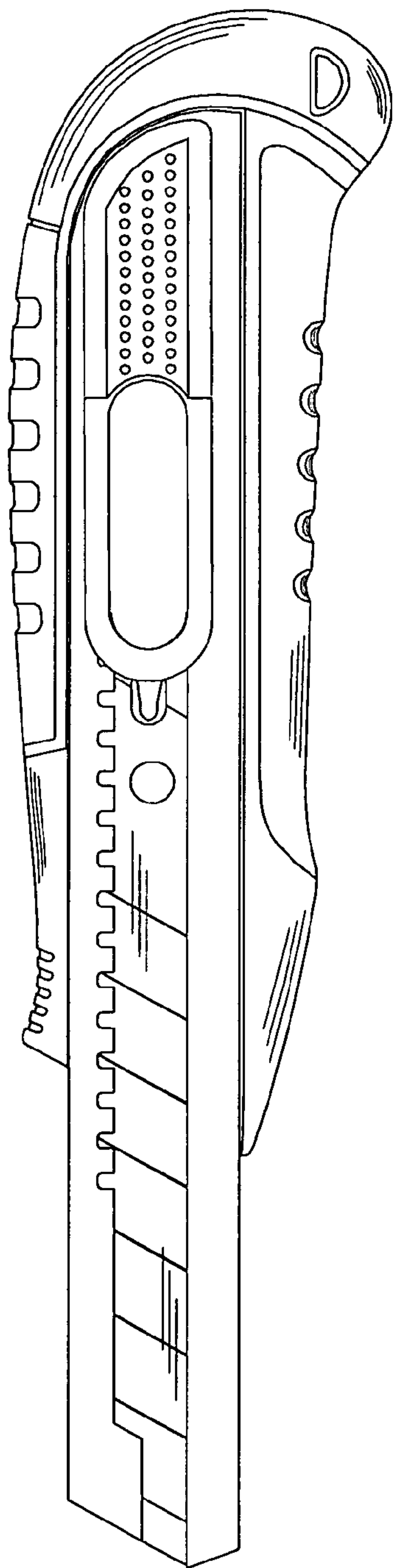


FIG. 1

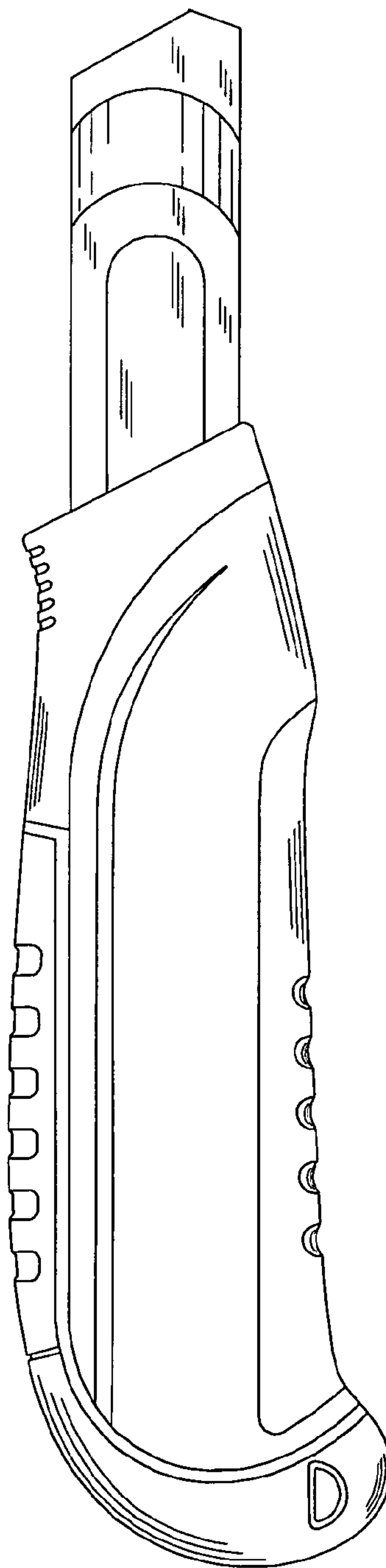


FIG. 2

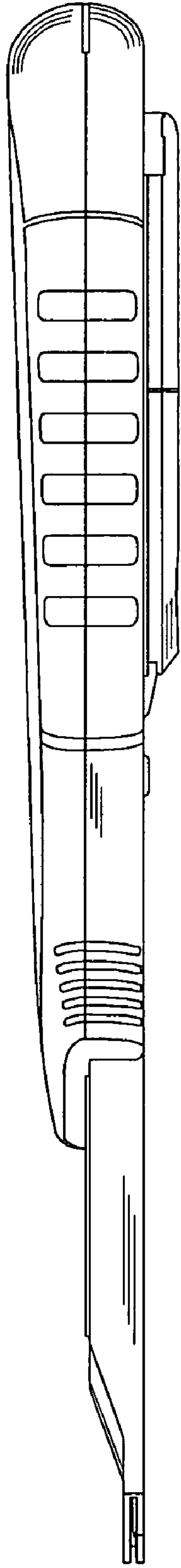


FIG. 3

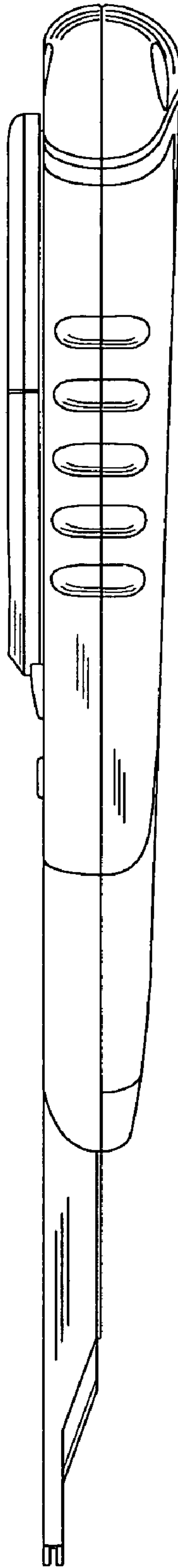


FIG. 4

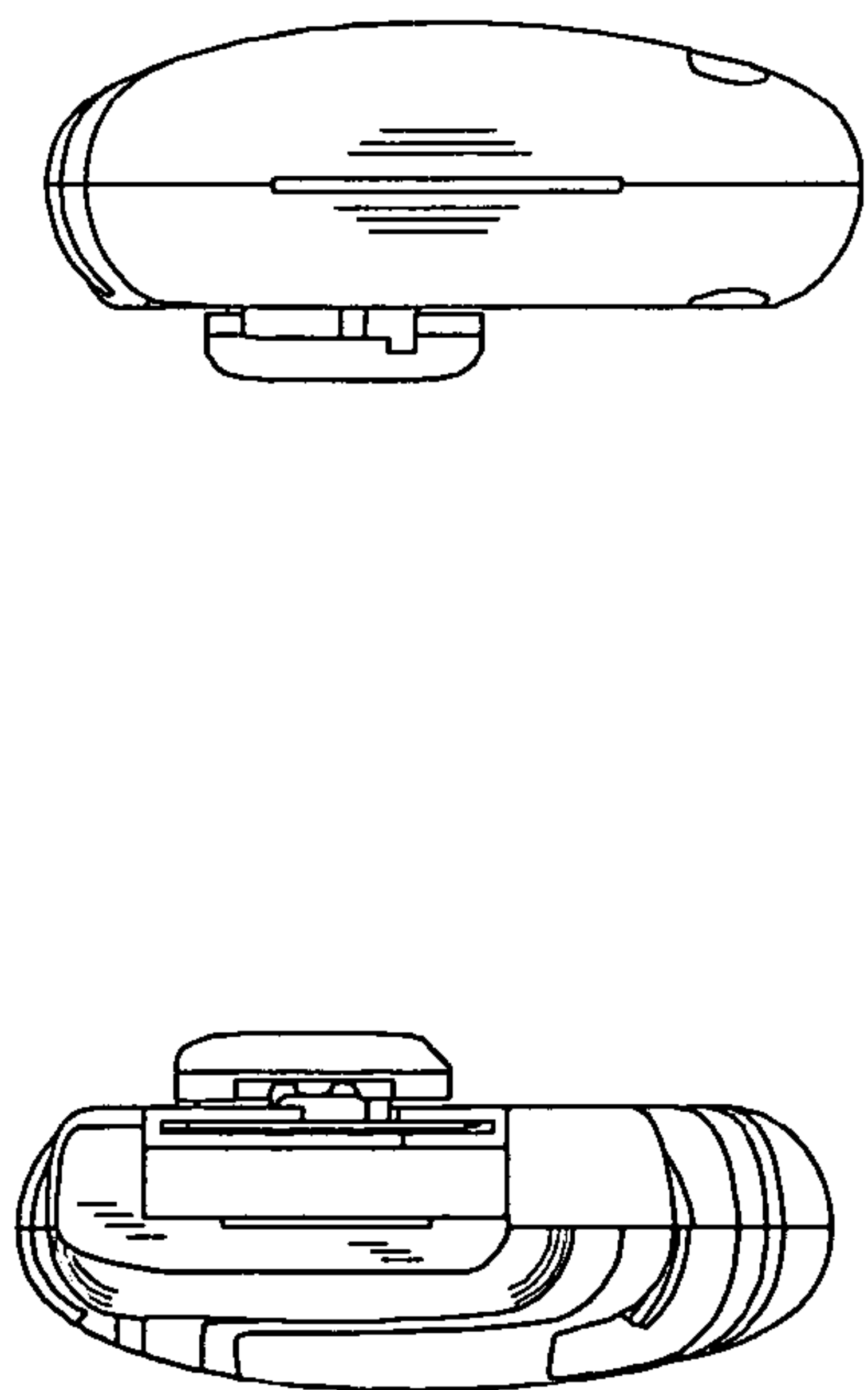


FIG. 5

FIG. 6

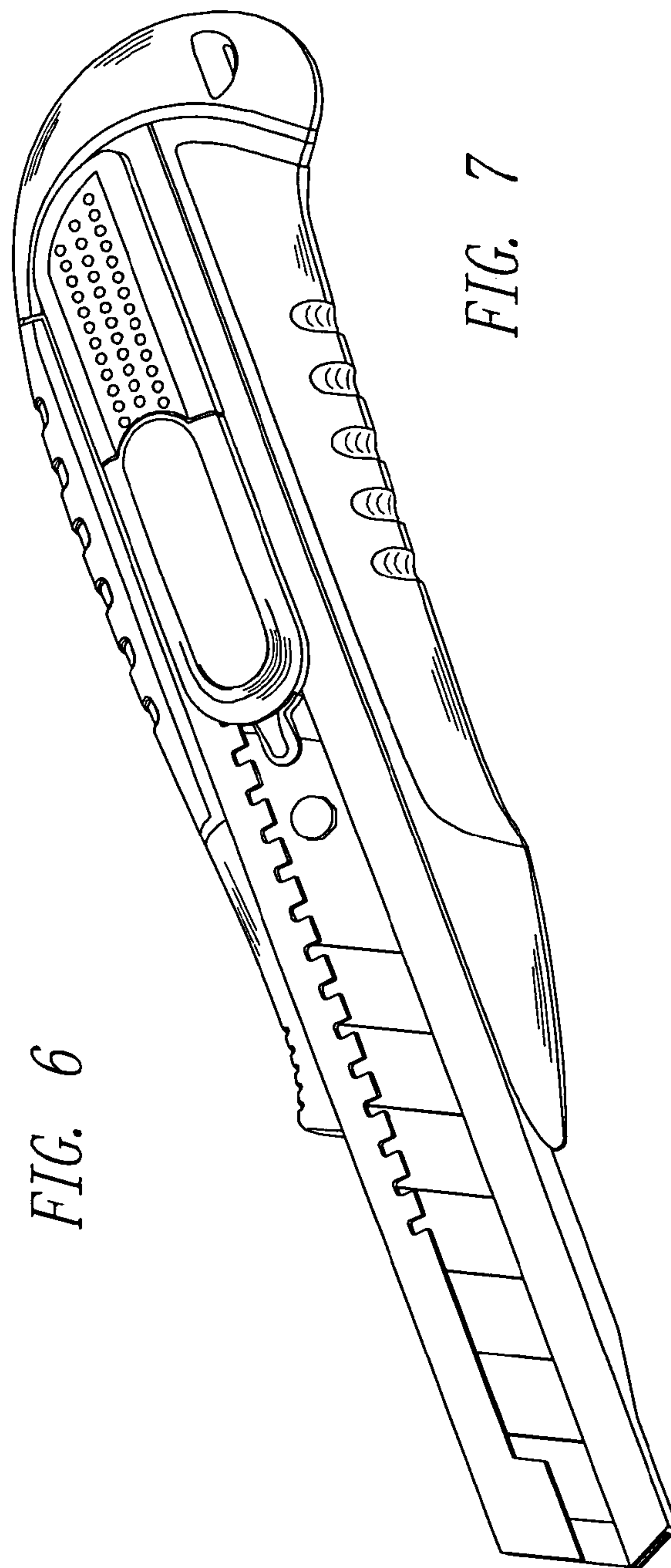


FIG. 7