



US00D645719S

(12) **United States Design Patent**  
**Wu**

(10) **Patent No.:** **US D645,719 S**

(45) **Date of Patent:** **\*\* Sep. 27, 2011**

(54) **UTILITY KNIFE**

(76) Inventor: **Yuewei Wu, Ninghai (CN)**

(\*\*) Term: **14 Years**

(21) Appl. No.: **29/311,789**

(22) Filed: **Jun. 22, 2009**

(51) **LOC (9) Cl.** ..... **08-03**

(52) **U.S. Cl.** ..... **D8/99**

(58) **Field of Classification Search** ..... D7/649;  
D8/95-99, 107; D22/118; 30/154-162,  
30/329-331

See application file for complete search history.

(56) **References Cited**

**U.S. PATENT DOCUMENTS**

D357,166	S	*	4/1995	Concari	.....	D8/107
D371,289	S	*	7/1996	Huang	.....	D8/107
D435,776	S	*	1/2001	Veltz et al.	.....	D8/99
6,951,055	B1	*	10/2005	Collins	.....	30/162
D519,817	S	*	5/2006	Wong	.....	D8/99
D543,822	S	*	6/2007	Ping	.....	D8/99
7,520,059	B2	*	4/2009	Ranieri et al.	.....	30/162

D596,914	S	*	7/2009	Huang	.....	D8/99
7,797,836	B2	*	9/2010	Ranieri et al.	.....	30/162
2006/0272157	A1	*	12/2006	Zeng	.....	30/161

\* cited by examiner

*Primary Examiner* — Phillip S Hyder

*Assistant Examiner* — Roselynnne Ulm

(57) **CLAIM**

The ornamental design for the utility knife, as shown and described.

**DESCRIPTION**

FIG. 1 is a front view of a utility knife showing my new design;

FIG. 2 is a bottom view thereof;

FIG. 3 is a left side view thereof;

FIG. 4 is a right side view thereof;

FIG. 5 is a rear view thereof;

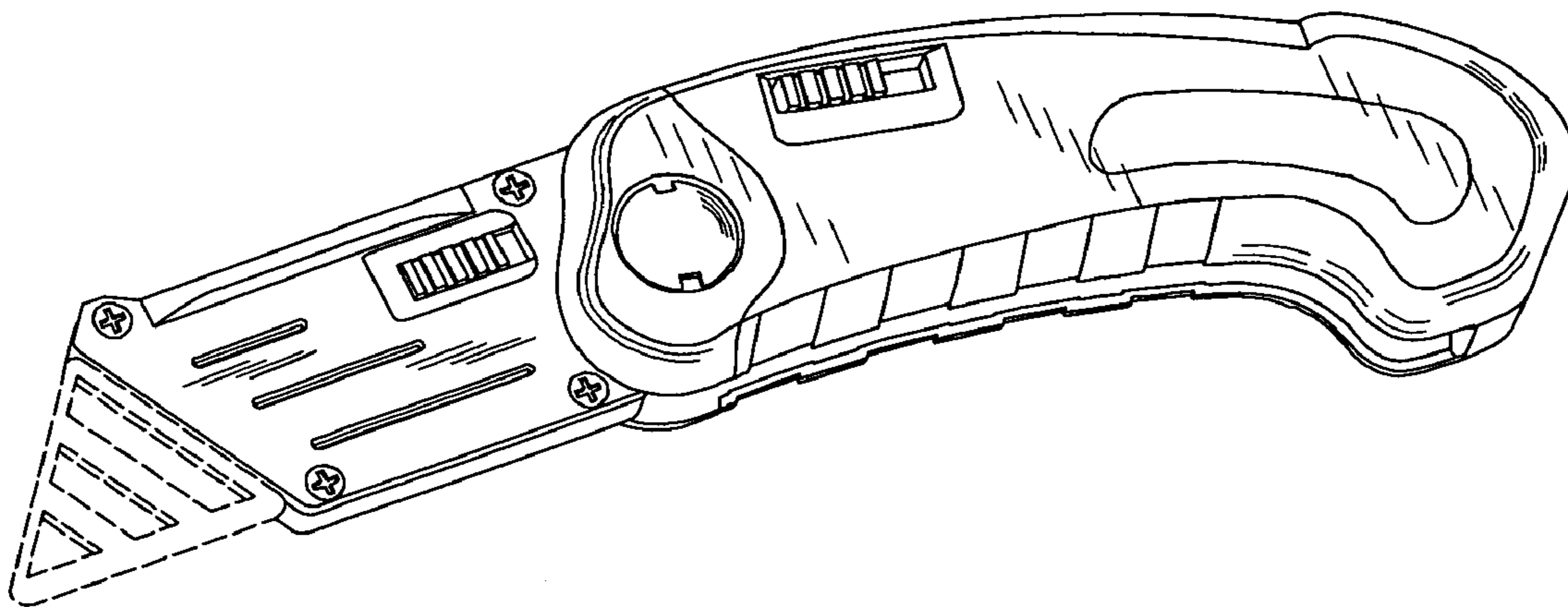
FIG. 6 is a top view thereof;

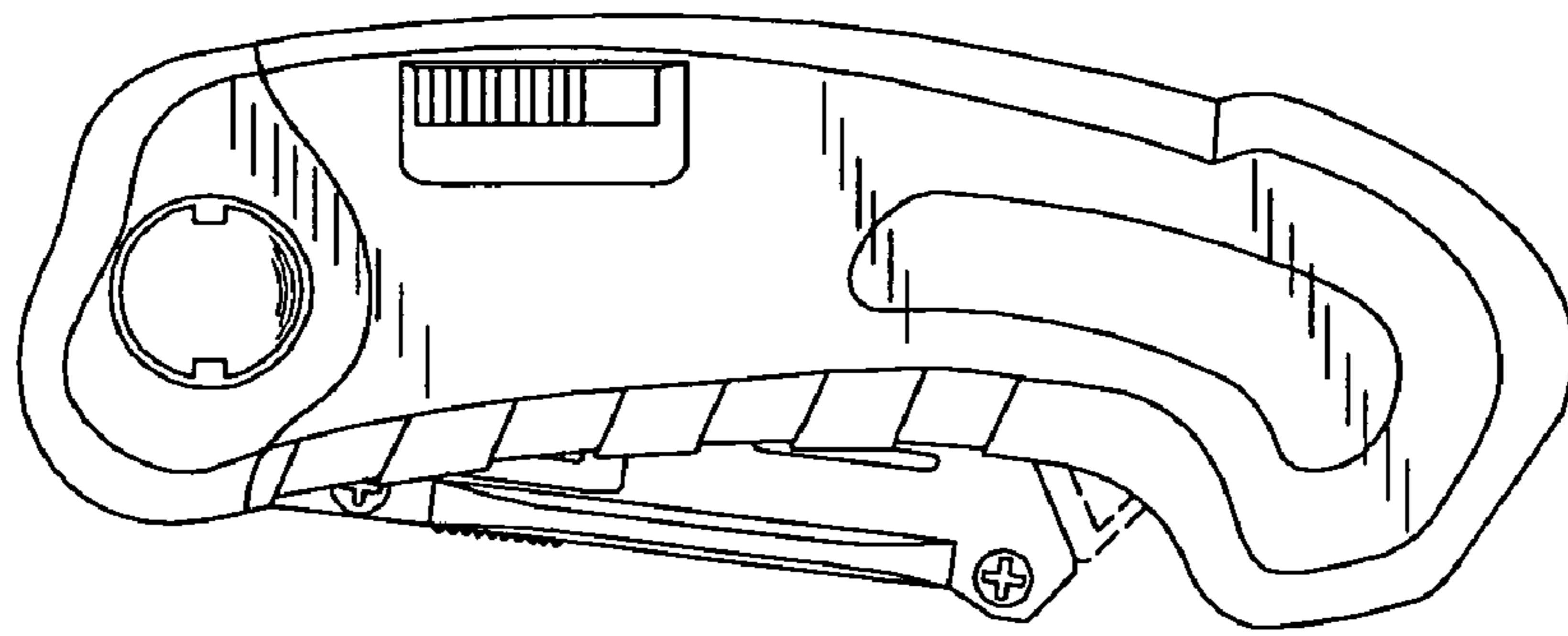
FIG. 7 is a perspective view thereof; and,

FIG. 8 is a perspective view thereof showing a status when the utility knife is open.

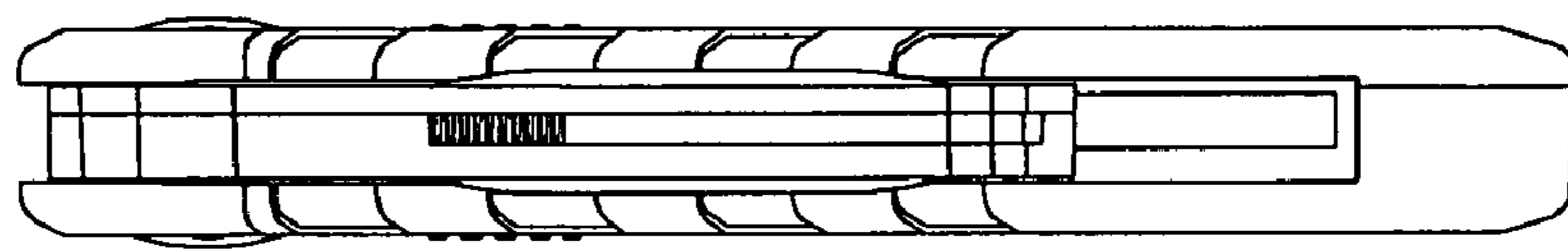
The broken lines are for illustrative purposes only and form no part of the claimed design.

**1 Claim, 3 Drawing Sheets**

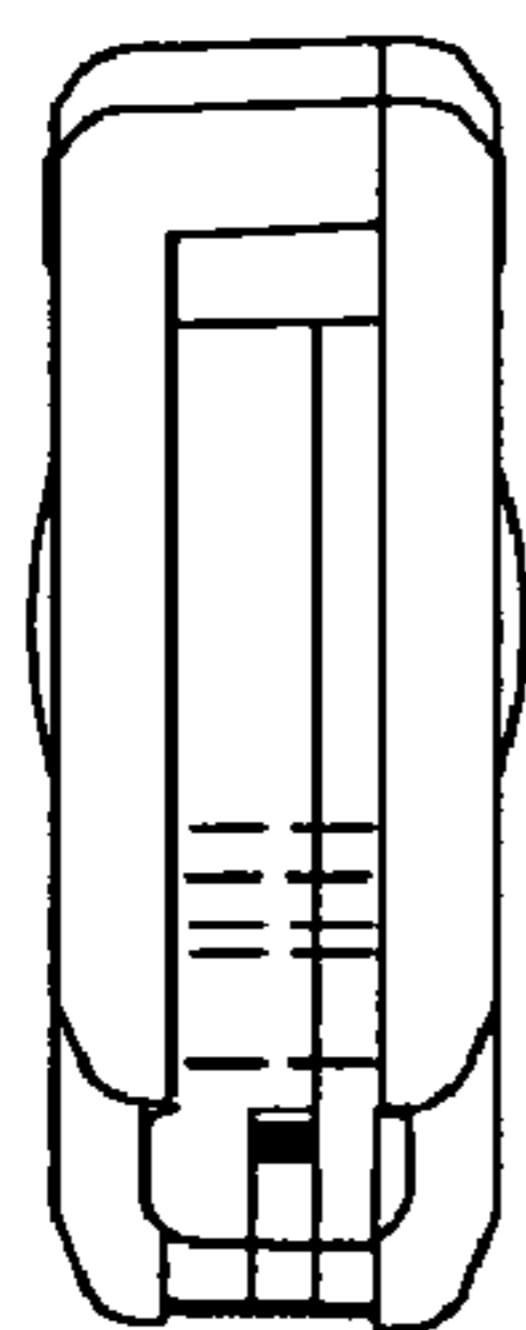




*FIG. 1*



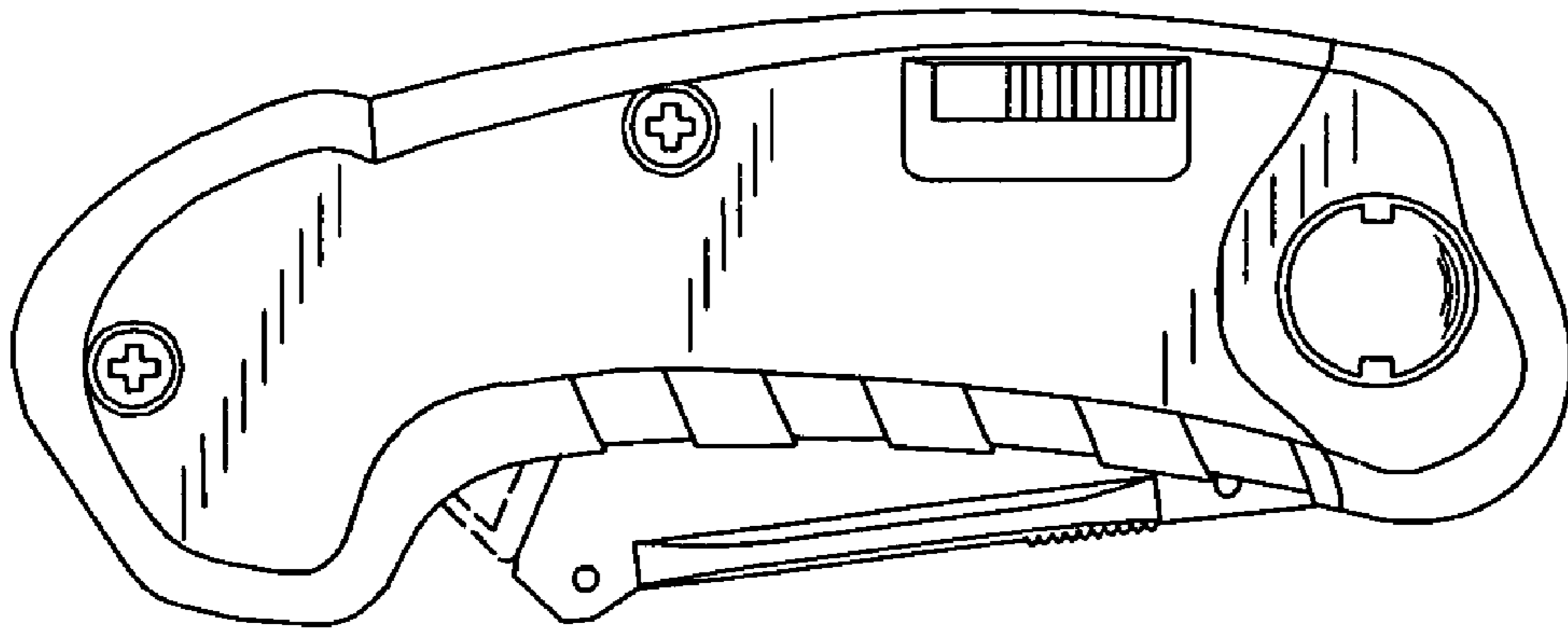
*FIG. 2*



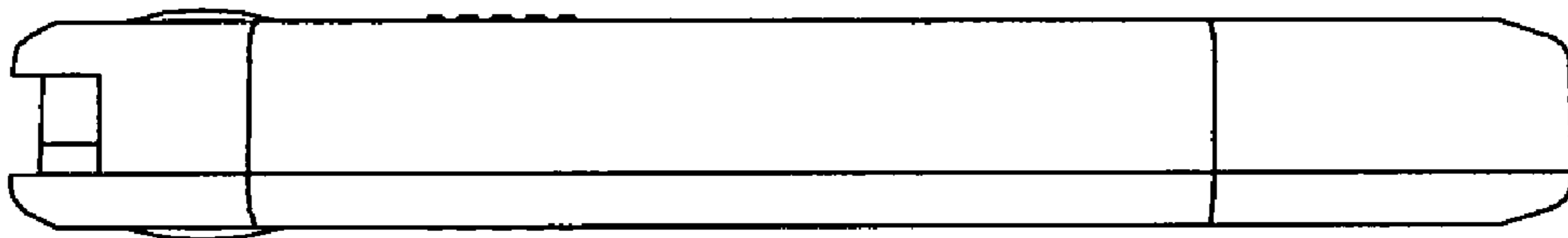
*FIG. 3*



*FIG. 4*



*FIG. 5*



*FIG. 6*

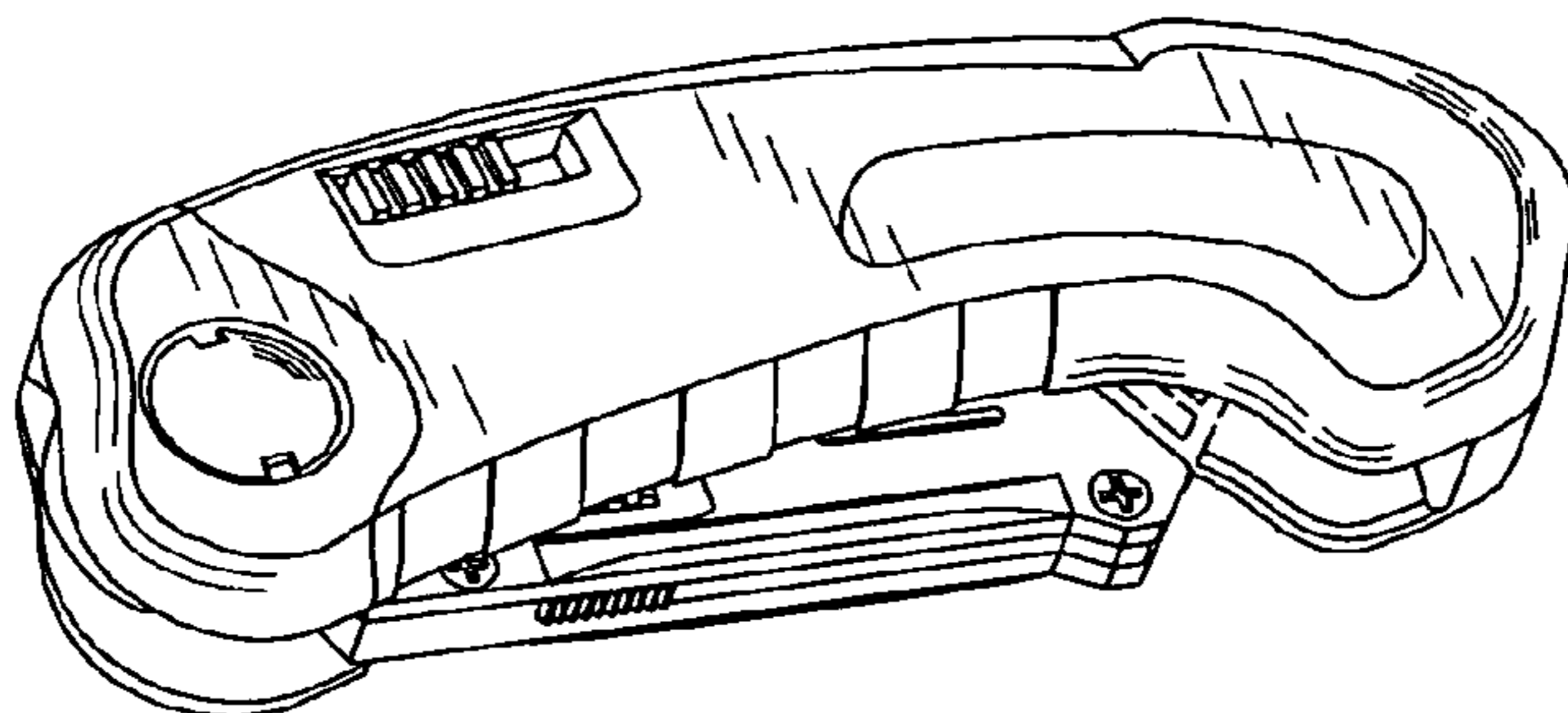


FIG. 7

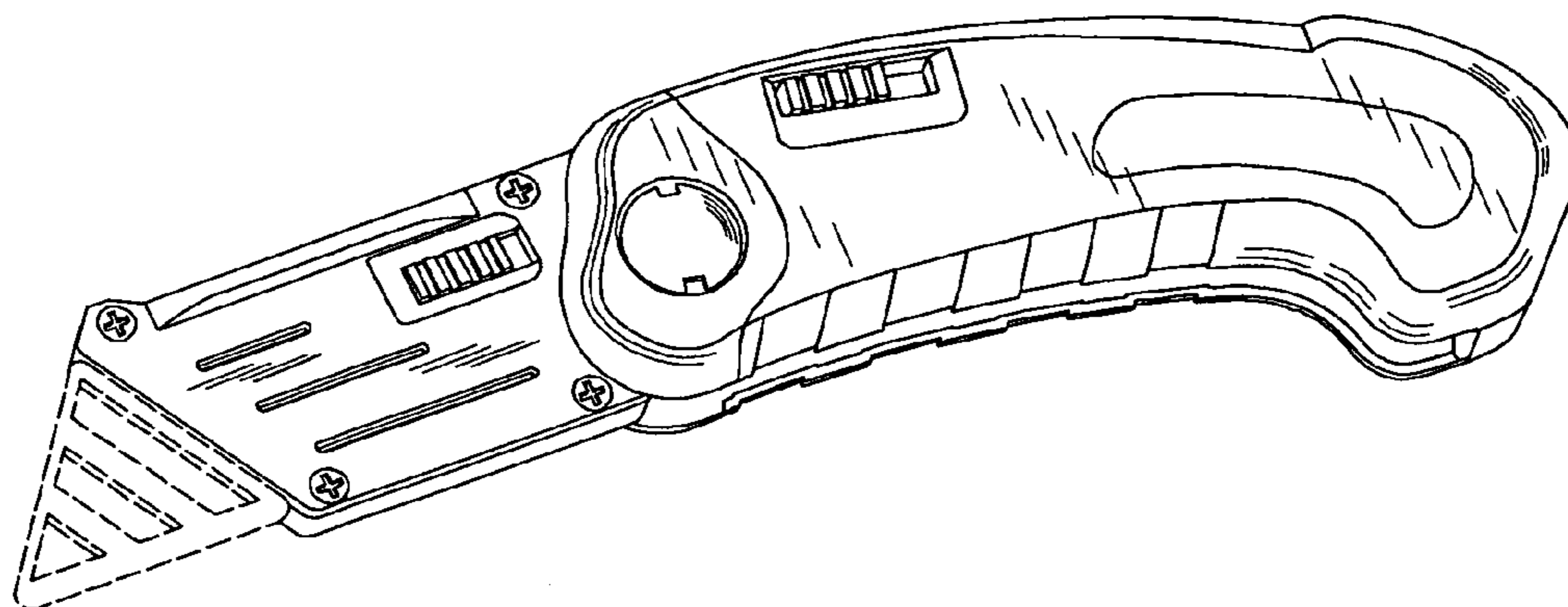


FIG. 8