



US00D645716S

(12) **United States Design Patent**  
**Jones et al.**

(10) **Patent No.:** **US D645,716 S**

(45) **Date of Patent:** **\*\* Sep. 27, 2011**

(54) **SURFACE VISE**

(75) Inventors: **Steven K Jones**, Ottawa (CA); **Norman Pirollo**, Ottawa (CA)

(73) Assignee: **Lee Valley Tools, Ltd.**, Ottawa, Ontario (CA)

(\*\*) Term: **14 Years**

(21) Appl. No.: **29/379,621**

(22) Filed: **Nov. 22, 2010**

6,554,264	B1 *	4/2003	Alford	269/147
D481,604	S	11/2003	Woodruff	
D484,388	S *	12/2003	Nassie et al.	D8/330
D484,766	S *	1/2004	Slack	D8/72
6,915,590	B2 *	7/2005	Chillington	33/649
D513,172	S *	12/2005	Rutsky	D8/395
7,114,715	B1 *	10/2006	Kirk	269/147
7,159,859	B2 *	1/2007	Fuller	269/170
D543,820	S	6/2007	Brass	
D561,008	S	2/2008	Jones	
D569,229	S *	5/2008	Johns	D8/354
D578,867	S *	10/2008	Deuer	D8/354
D592,481	S	5/2009	Helmetschlager	
D600,522	S	9/2009	Hillman	
D605,958	S	12/2009	Tartala	

(Continued)

**Related U.S. Application Data**

(63) Continuation of application No. 29/341,870, filed on Aug. 13, 2009, now abandoned.

(51) **LOC (9) Cl.** ..... **08-05**

(52) **U.S. Cl.** ..... **D8/74**

(58) **Field of Classification Search** ..... D8/71-74,  
D8/394, 396, 355, 59, 330, 395, 354; 248/689,  
248/74.1; 81/487; 269/3, 4, 6, 143, 165,  
269/246-249, 147, 97, 99, 100; 29/256,  
29/257, 276; D15/140, 130; D24/143; 408/103;  
33/649

See application file for complete search history.

(56) **References Cited**

**U.S. PATENT DOCUMENTS**

D339,728	S	9/1993	Lee	
5,553,838	A	9/1996	Lee	
5,586,754	A *	12/1996	Williams	269/99
D382,788	S	8/1997	Wages et al.	
D402,537	S	12/1998	Lorenzana	
D418,033	S	12/1999	Svedberg	
D419,415	S	1/2000	Richter	
6,050,559	A *	4/2000	de Souza	269/247
D457,795	S	5/2002	Mohammed	
D462,889	S	9/2002	Wright	
D466,212	S	11/2002	Koros et al.	
D471,570	S *	3/2003	Wang	D15/130

*Primary Examiner* — David Muller

(74) *Attorney, Agent, or Firm* — Kilpatrick Townsend & Stockton LLP; John S. Pratt; Camilla C. Williams

(57) **CLAIM**

The ornamental design for a surface vise, as shown and described.

**DESCRIPTION**

FIG. 1 is a perspective view of a surface vise of this invention in an extended position, depicted with a portion (shown in broken lines) of a typical woodworking bench having round dog holes on which the surface vise may be used.

FIG. 2 is a top plan view of the surface vise shown in FIG. 1, with the pivoting handle in a tilted position;

FIG. 3 is a right side elevation view thereof;

FIG. 4 is a working end elevation view thereof;

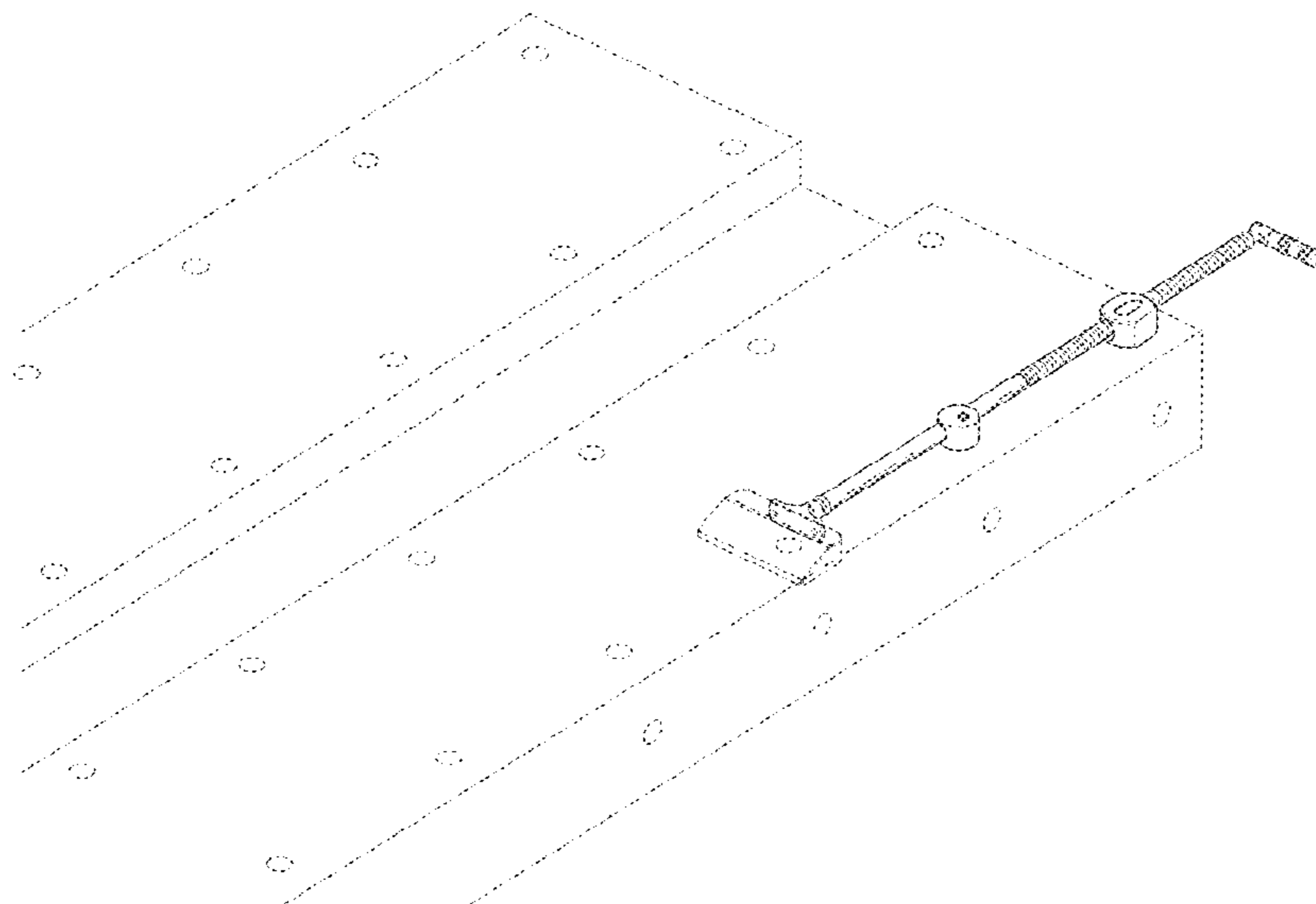
FIG. 5 is a handle end elevation view thereof;

FIG. 6 is a bottom plan view thereof; and,

FIG. 7 is a left side elevation view thereof.

The features shown in broken lines in the drawings depict environmental subject matter only and form no part of the claimed design.

**1 Claim, 6 Drawing Sheets**



# US D645,716 S

Page 2

---

U.S. PATENT DOCUMENTS

2009/0252570 A1 10/2009 Lee

D607,706 S 1/2010 Jastrow  
2004/0041061 A1\* 3/2004 Krohmer ..... 248/74.1 \* cited by examiner

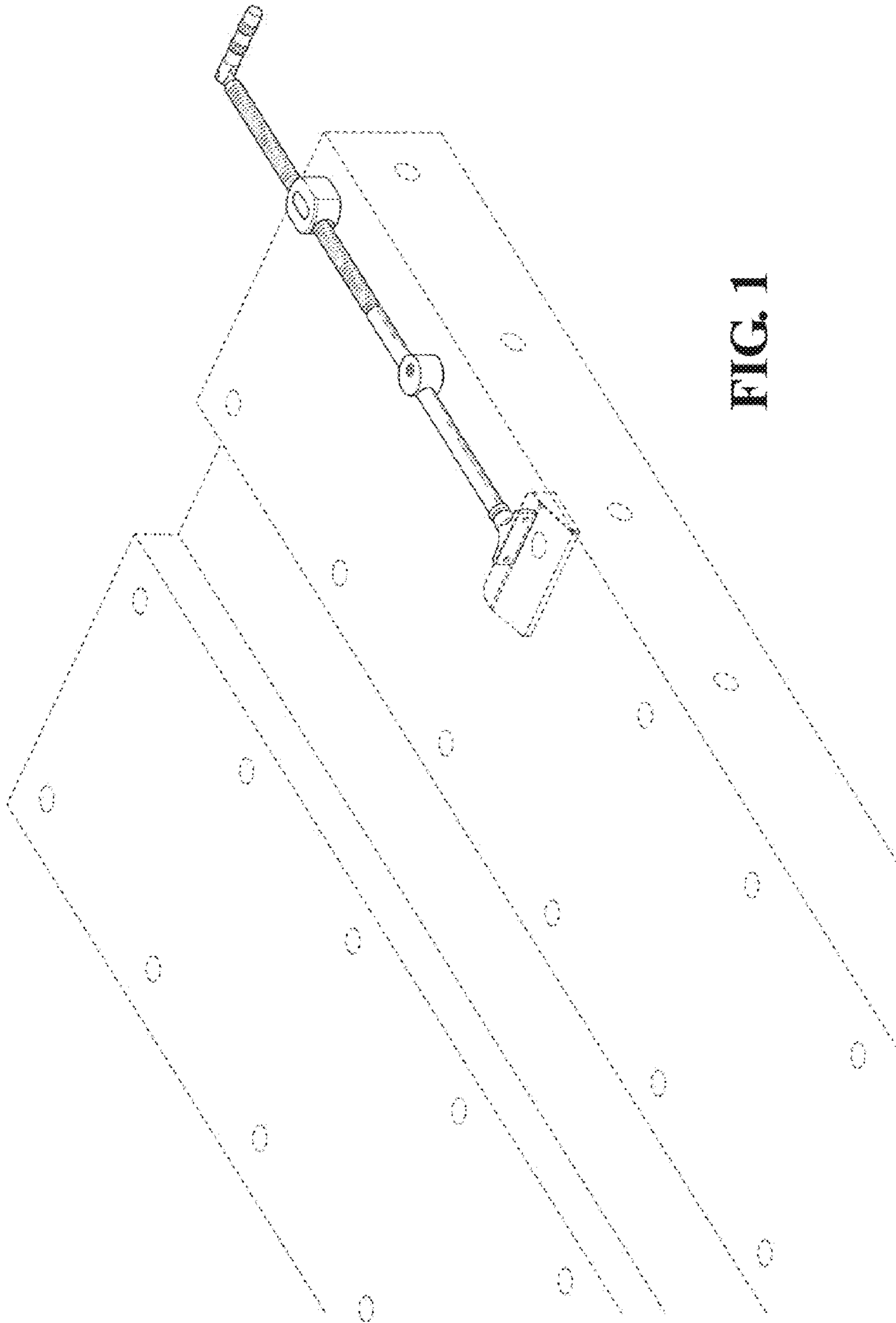


FIG. 1

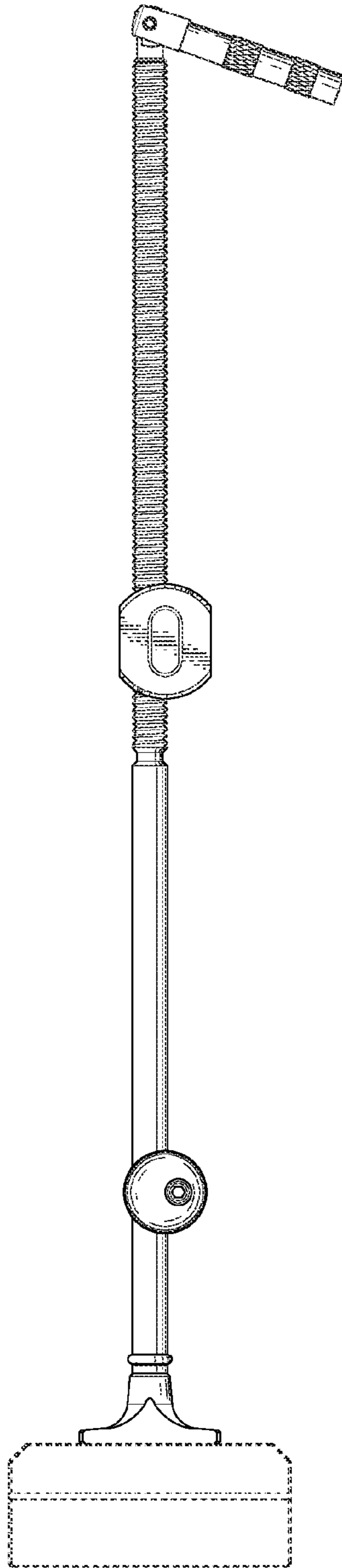


FIG. 2

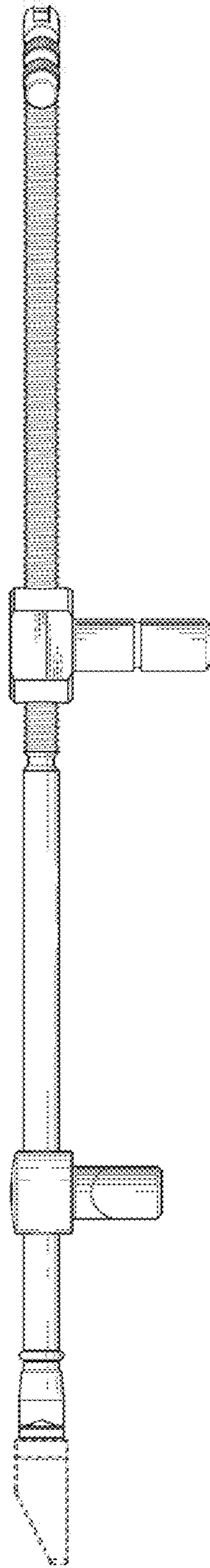


FIG. 3

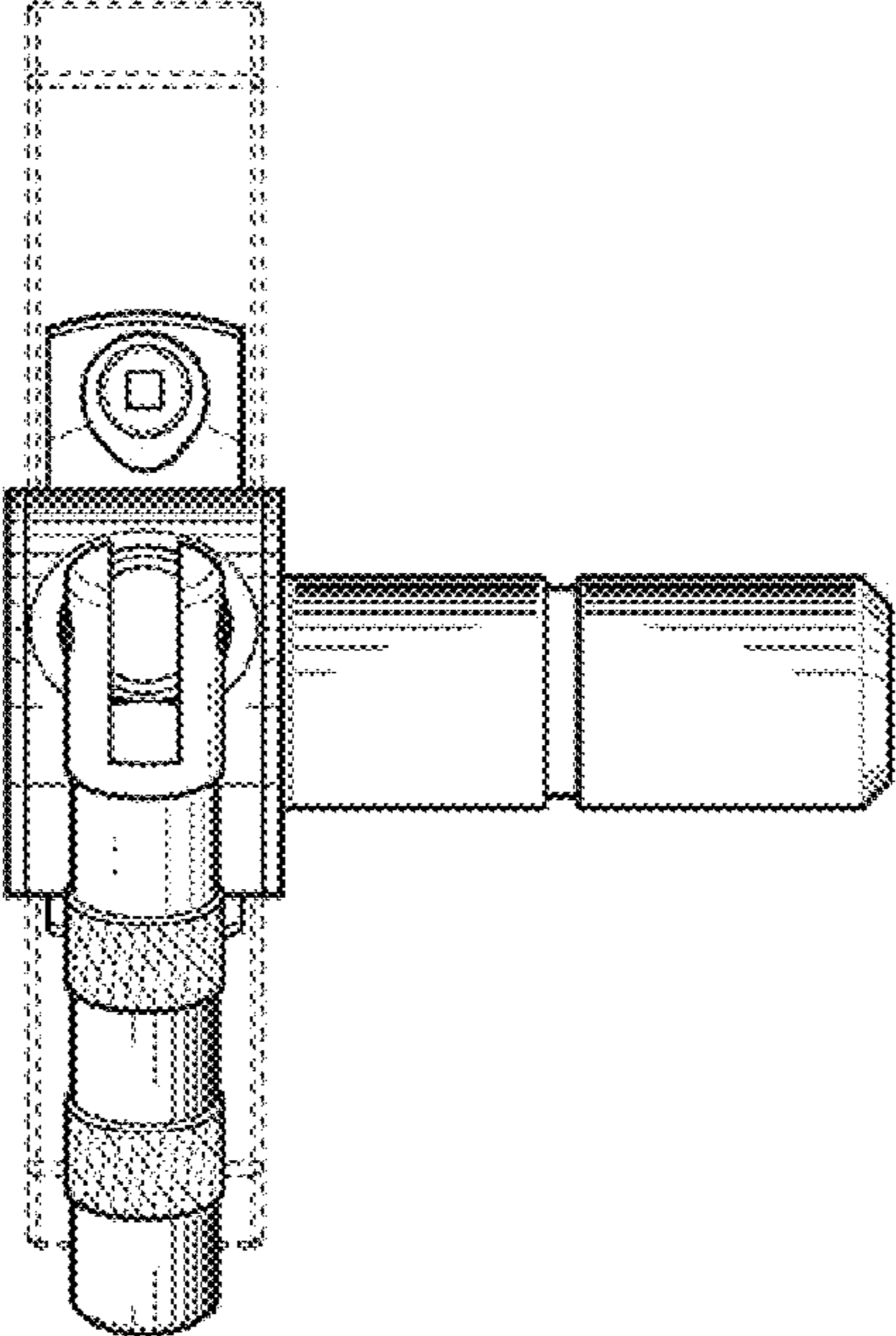


FIG. 5

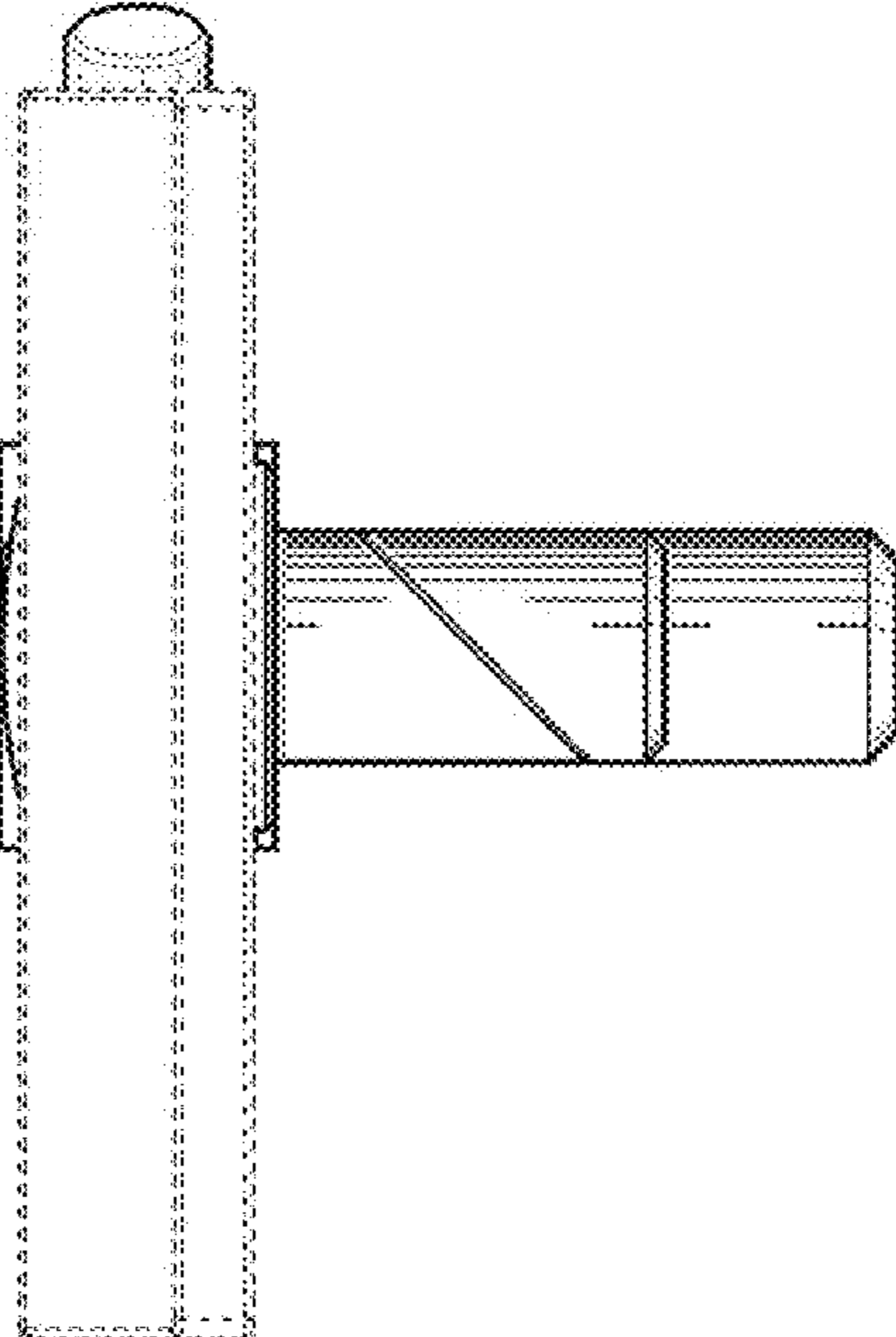


FIG. 4

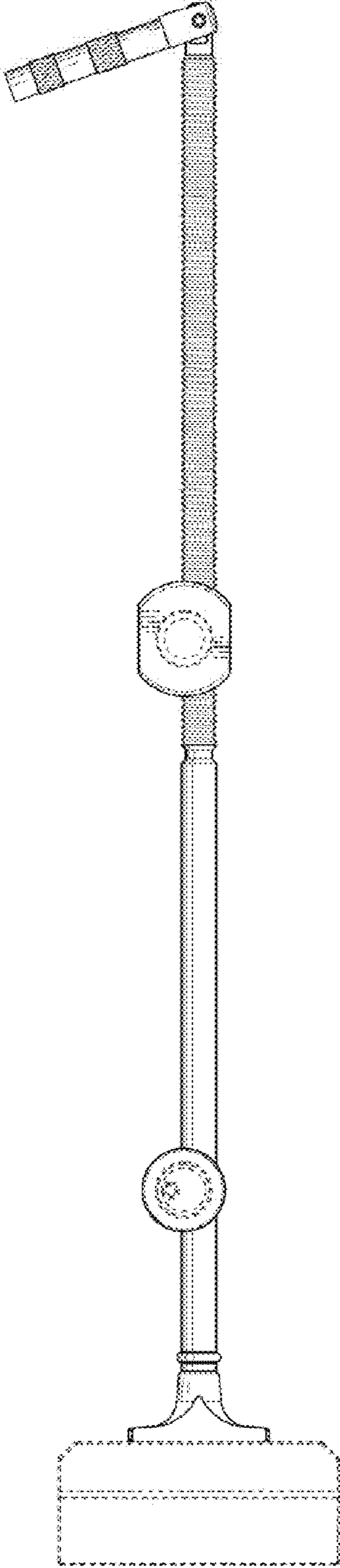


FIG. 6

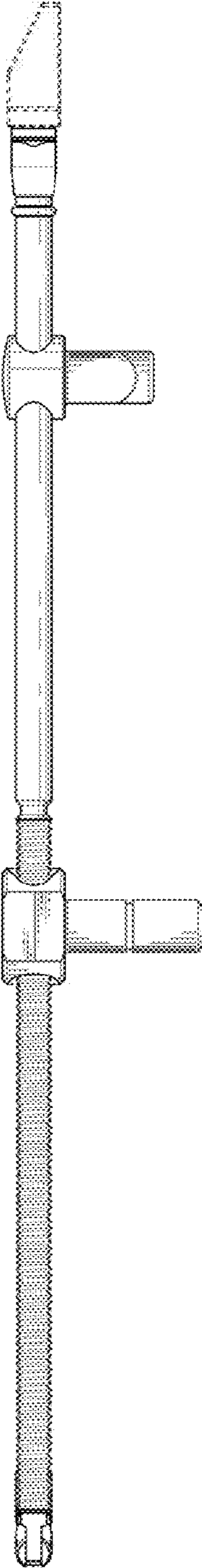


FIG. 7