



US00D645714S

(12) **United States Design Patent**
Hu

(10) **Patent No.:** **US D645,714 S**

(45) **Date of Patent:** **** Sep. 27, 2011**

(54) **WRENCH**

(76) Inventor: **Bobby Hu**, Taichung (TW)

(**) Term: **14 Years**

(21) Appl. No.: **29/386,629**

(22) Filed: **Mar. 3, 2011**

(30) **Foreign Application Priority Data**

Jan. 14, 2011 (TW) 100300241

(51) **LOC (9) Cl.** **08-05**

(52) **U.S. Cl.** **D8/28**

(58) **Field of Classification Search** D8/17,
D8/21-29, 354, 107; 81/60, 177.1, 177.85,
81/121.1, 124.3, 165-170, 110.1, 176.2,
81/124.6, 176.1, 176.15, 177.2, 186; 16/110.1;
D15/144.1, 143; 219/75, 227, 229, 121.16,
219/121.18

See application file for complete search history.

(56) **References Cited**

U.S. PATENT DOCUMENTS

4,100,824 A * 7/1978 Marschke 81/124.6
D429,979 S * 8/2000 Chiang D8/25
6,845,691 B2 * 1/2005 Hsien 81/60

D504,057 S * 4/2005 Tuanmu D8/25
6,928,904 B2 * 8/2005 Hsien 81/60
6,971,286 B2 * 12/2005 Hu 81/63.2
7,237,460 B2 * 7/2007 Hu 81/63.2
D551,042 S * 9/2007 Tuan Mu D8/28
D553,456 S * 10/2007 Hu D8/25
D553,924 S * 10/2007 Hu D8/25
D559,054 S * 1/2008 Tuan Mu D8/25
7,331,851 B2 * 2/2008 Koukouravas 454/160
D636,647 S * 4/2011 Hu D8/28

* cited by examiner

Primary Examiner — Raphael Barkai

Assistant Examiner — Randall Gholson

(74) *Attorney, Agent, or Firm* — Alan Kamrath; Kamrath & Associates PA

(57) **CLAIM**

The ornamental design for wrench, as shown and described.

DESCRIPTION

FIG. 1 is a perspective view of a wrench showing my new design;

FIG. 2 is a front view thereof;

FIG. 3 is a rear view thereof;

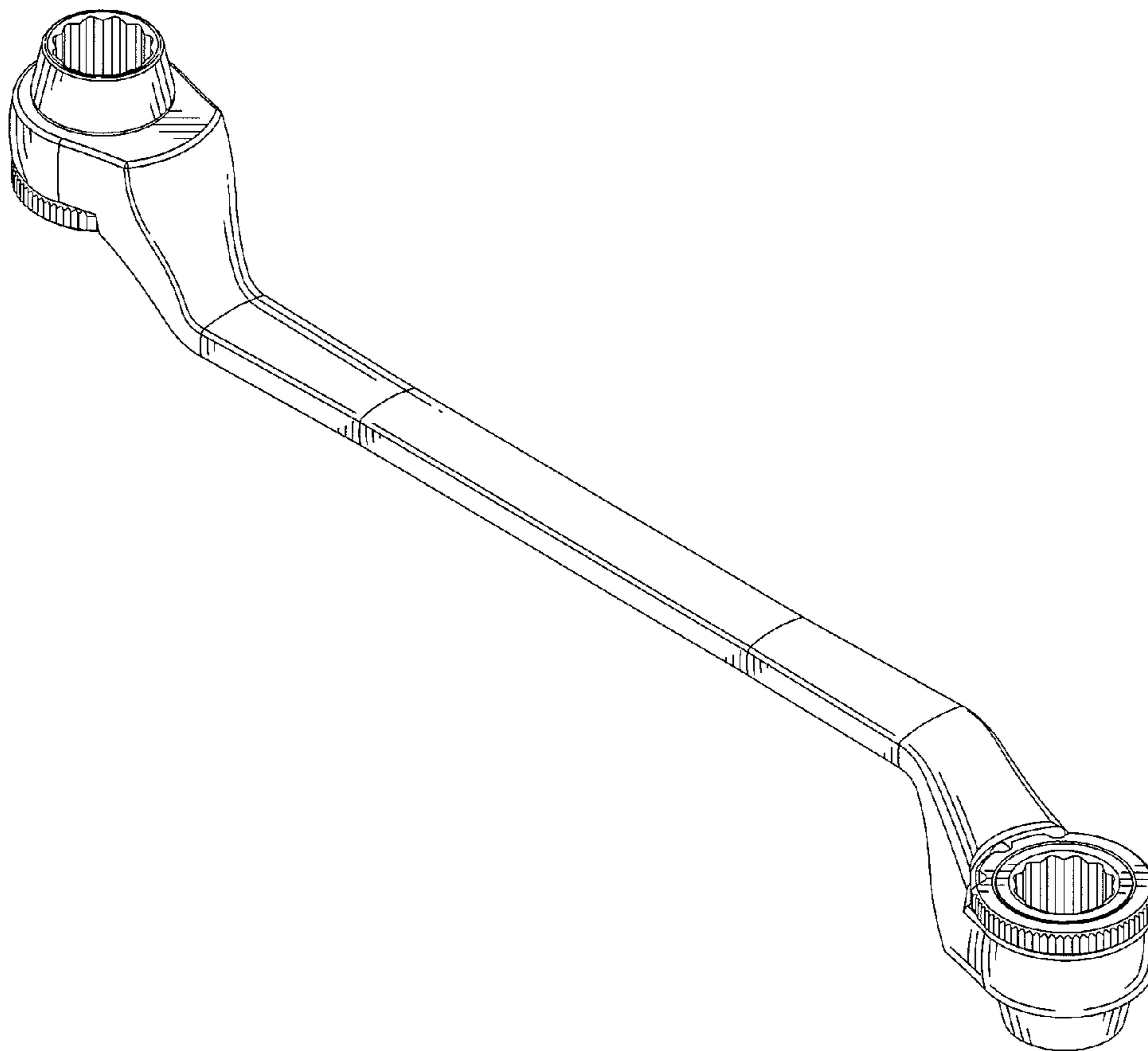
FIG. 4 is a left view thereof;

FIG. 5 is a right view thereof;

FIG. 6 is a top view thereof; and,

FIG. 7 is a bottom view thereof.

1 Claim, 4 Drawing Sheets



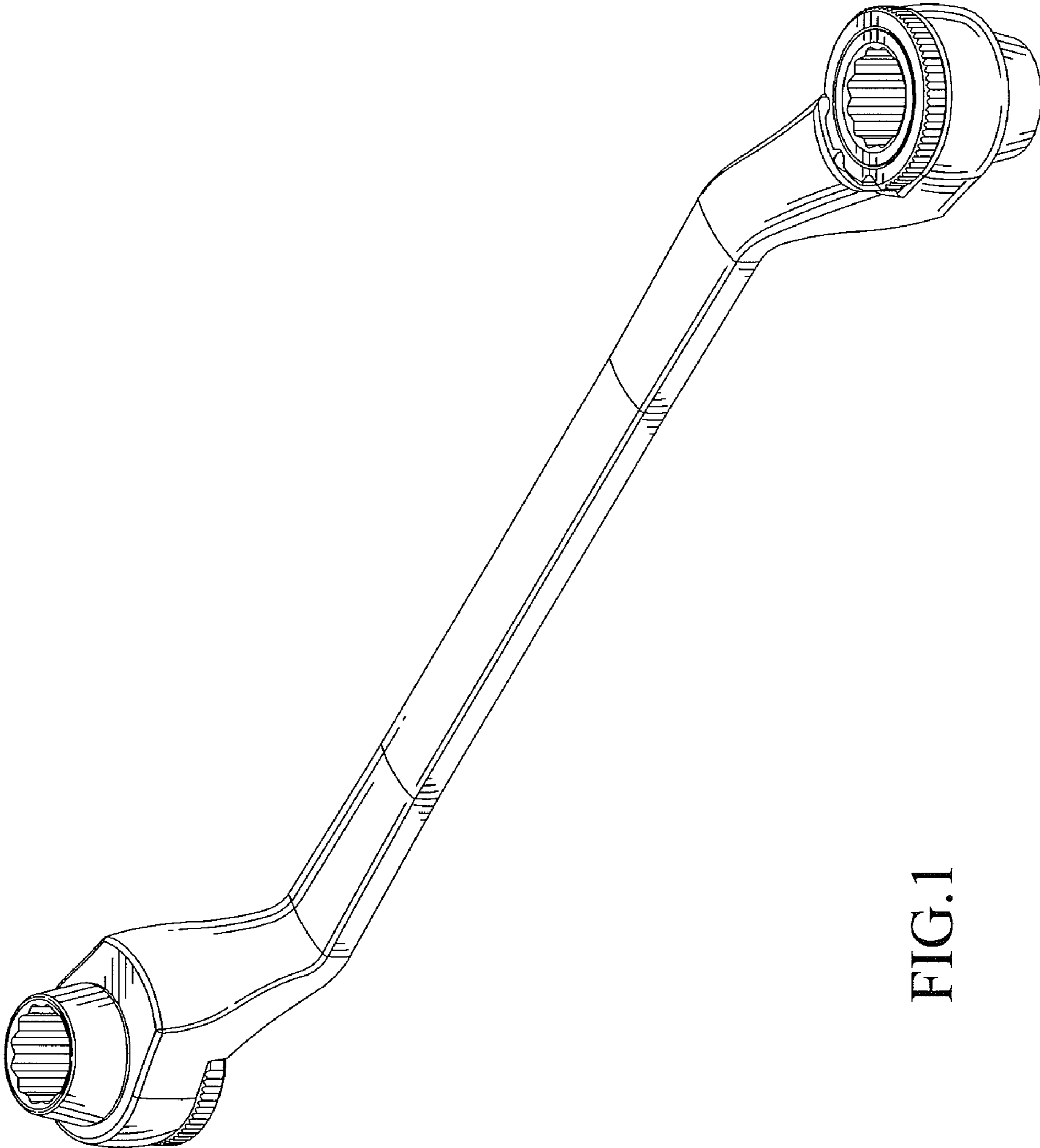


FIG. 1

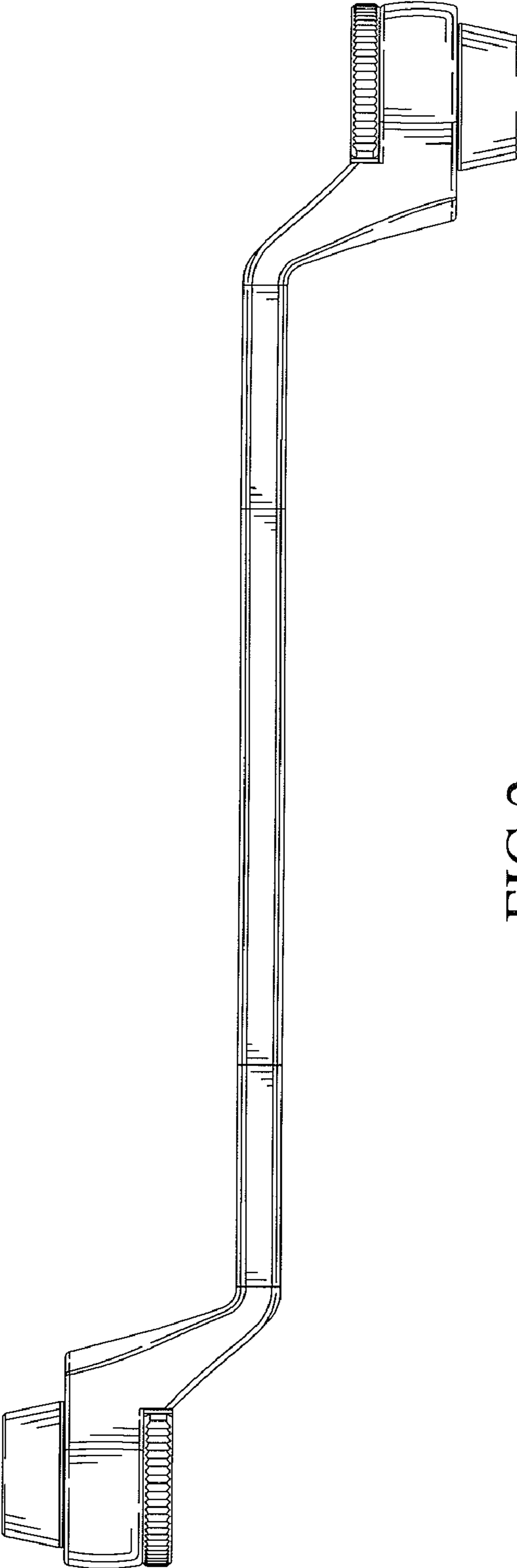


FIG. 2

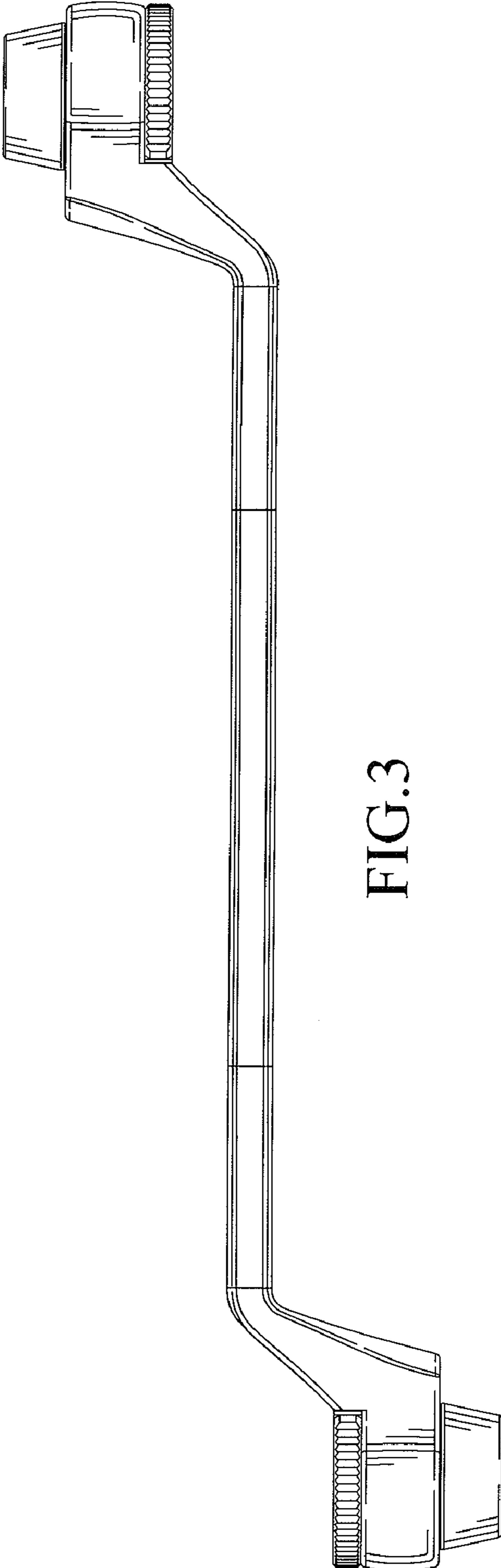


FIG. 3

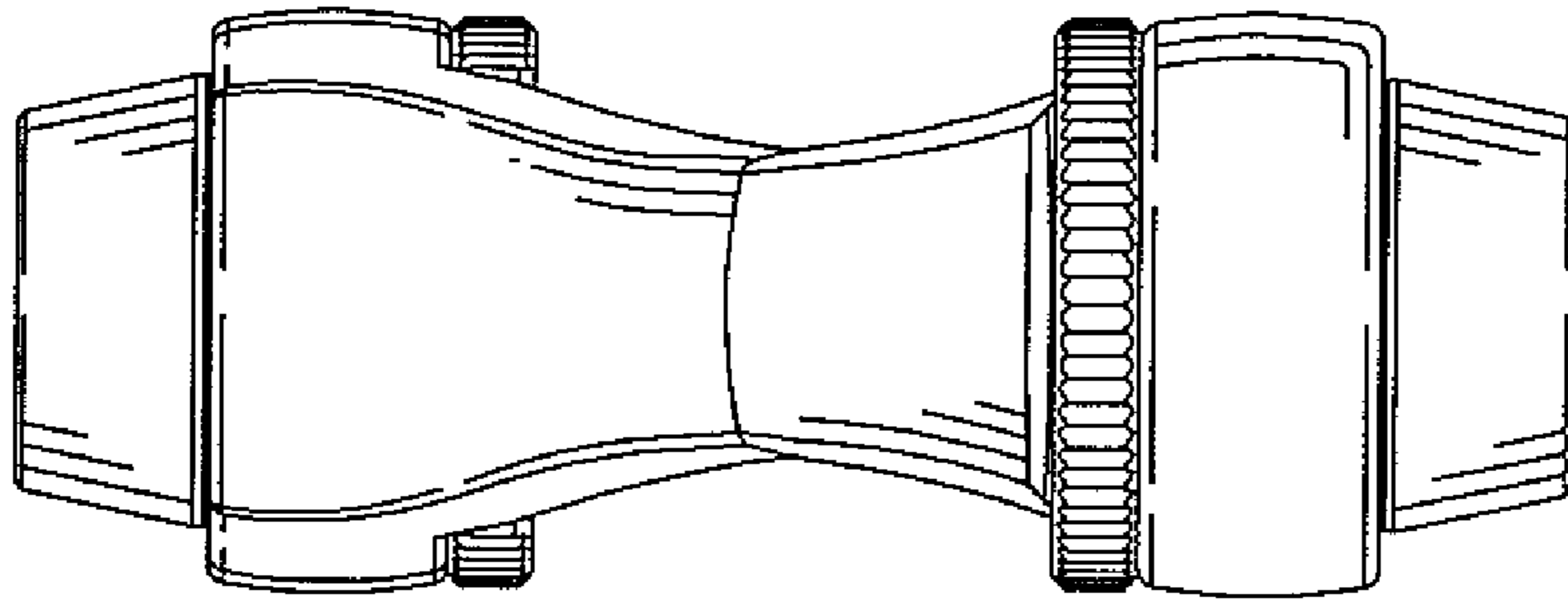


FIG.5

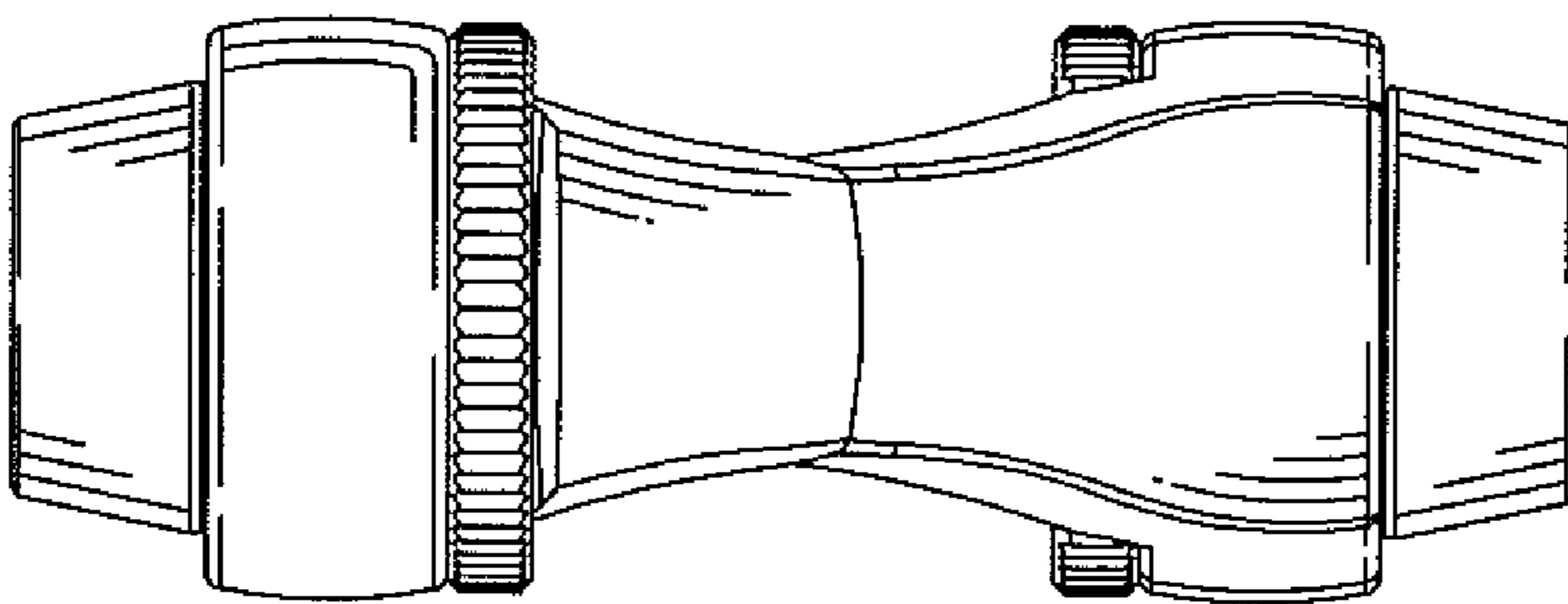


FIG.4

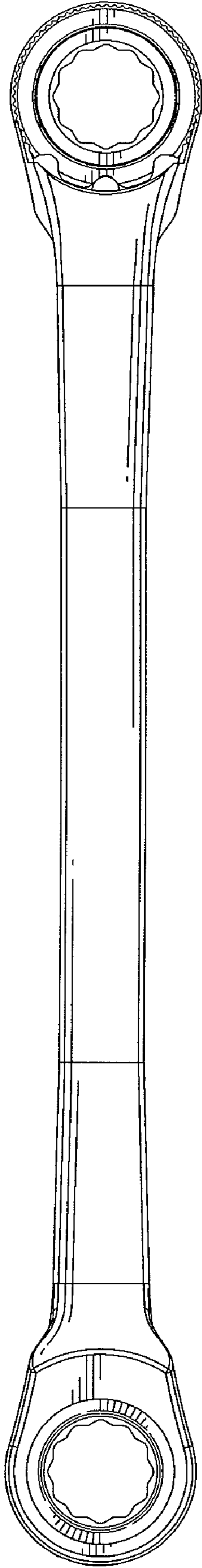


FIG. 6

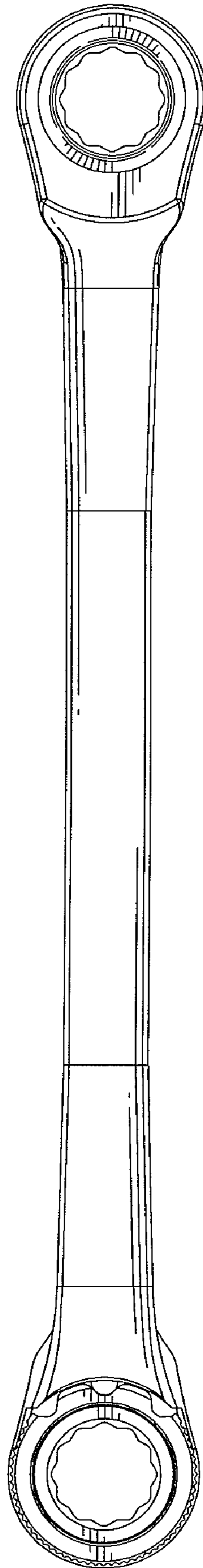


FIG. 7