



US00D645711S

(12) **United States Design Patent**
Sudia

(10) **Patent No.:** **US D645,711 S**

(45) **Date of Patent:** **** *Sep. 27, 2011**

(54) **REUSABLE PIZZA CONTAINER**

(76) Inventor: **Michael Thomas Sudia**, Danville, CA
(US)

(*) Notice: This patent is subject to a terminal disclaimer.

(**) Term: **14 Years**

(21) Appl. No.: **29/358,356**

(22) Filed: **Mar. 25, 2010**

(51) **LOC (9) Cl.** **07-01**

(52) **U.S. Cl.** **D7/629**

(58) **Field of Classification Search** D7/602,
D7/629; 229/120, 406, 407, 902, 903, 127;
D9/761, 414, 424, 426, 428, 429; 426/118,
426/124, 128

See application file for complete search history.

(56) **References Cited**

U.S. PATENT DOCUMENTS

4,237,171 A * 12/1980 Laage et al. 426/127

5,385,292 A * 1/1995 Labianca et al. 229/120
6,601,758 B2 * 8/2003 Lizzio 229/120
6,932,267 B2 * 8/2005 Potenza et al. 229/906
2007/0235514 A1 * 10/2007 Abayhan et al. 229/407

* cited by examiner

Primary Examiner — Terry Wallace

(57) **CLAIM**

The ornamental design for a reusable pizza container, as shown and described.

DESCRIPTION

FIG. 1 is a perspective view of the reusable pizza container, showing the detachable top in its raised and detached position.

FIG. 2 is a perspective view of the reusable pizza container, showing the lid in its closed position.

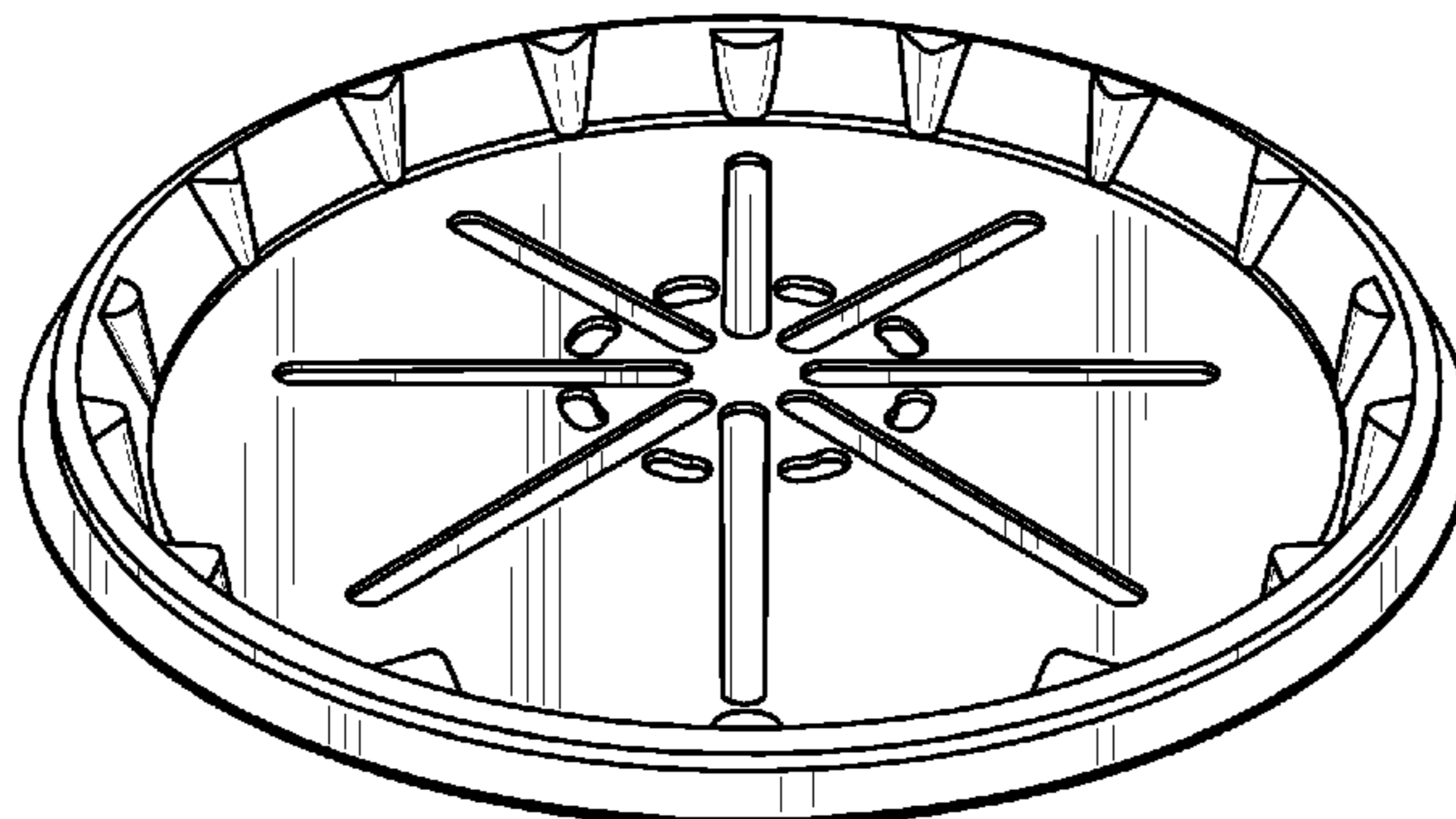
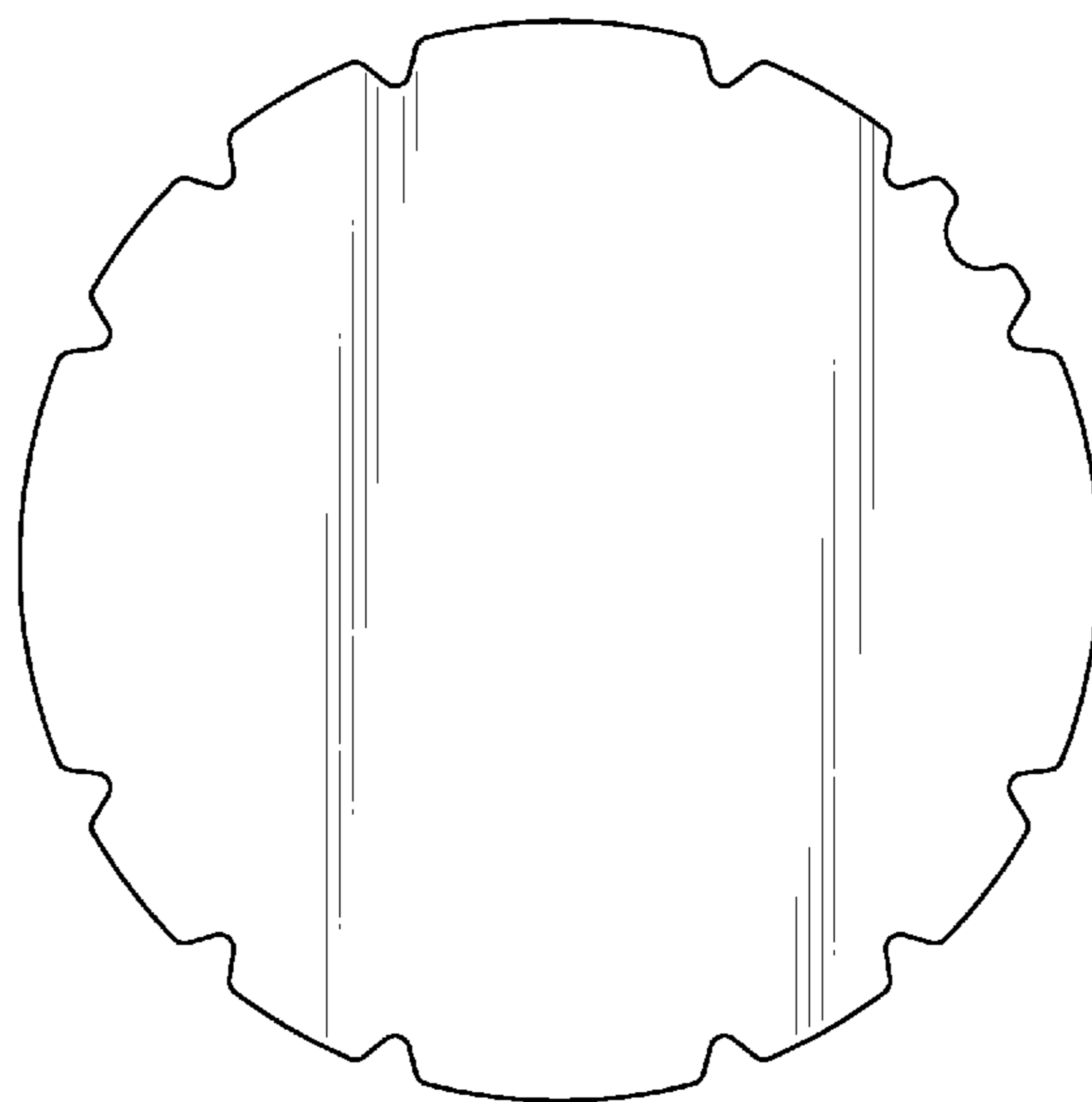
FIG. 3 is a top plan view of the container without the lid.

FIG. 4 is a front elevation view of the container.

FIG. 5 is a bottom plan view of the container; and,

FIG. 6 is a right side elevational view of the container.

1 Claim, 4 Drawing Sheets



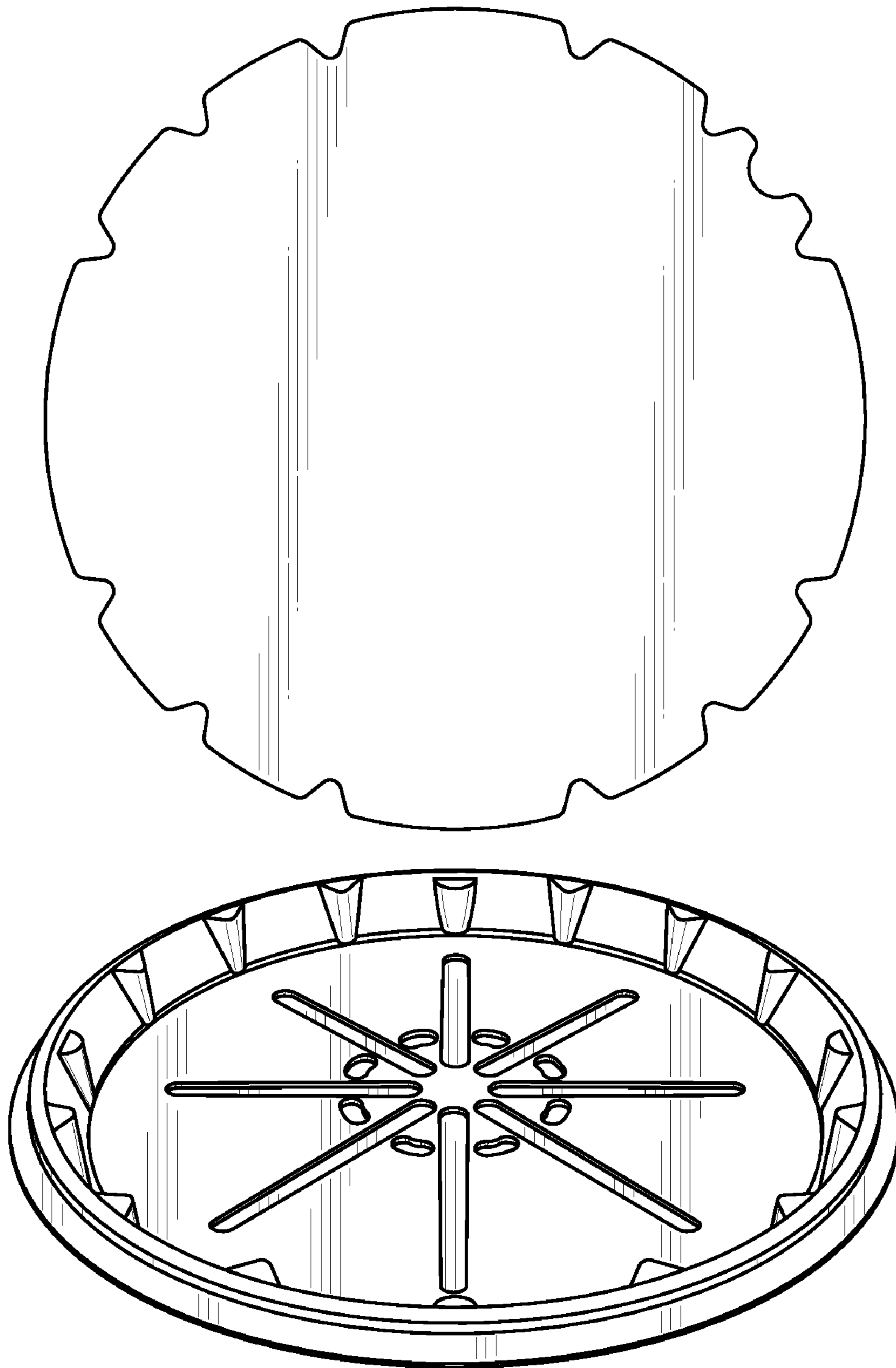


FIG. 1

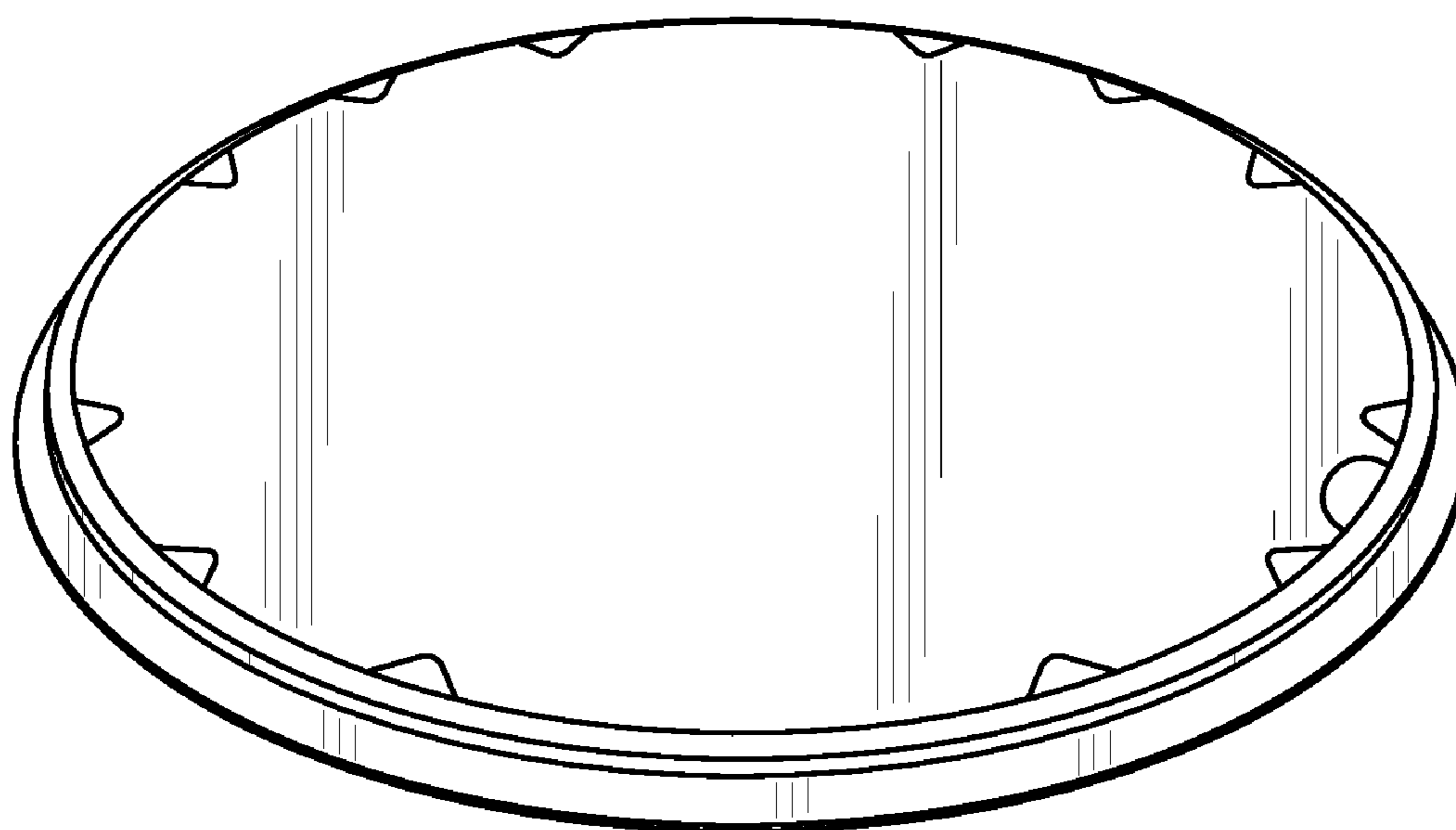


FIG. 2

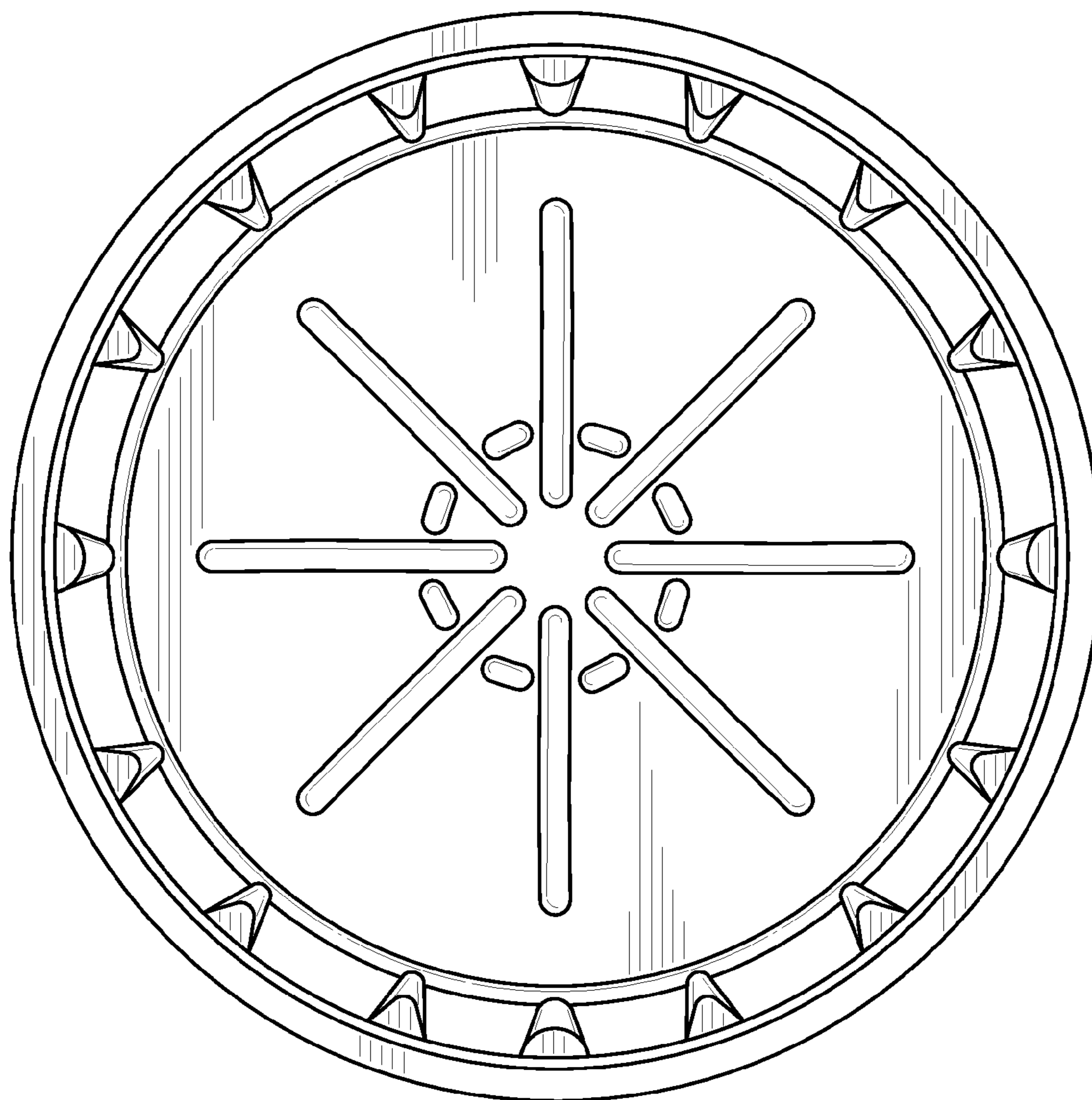


FIG. 3

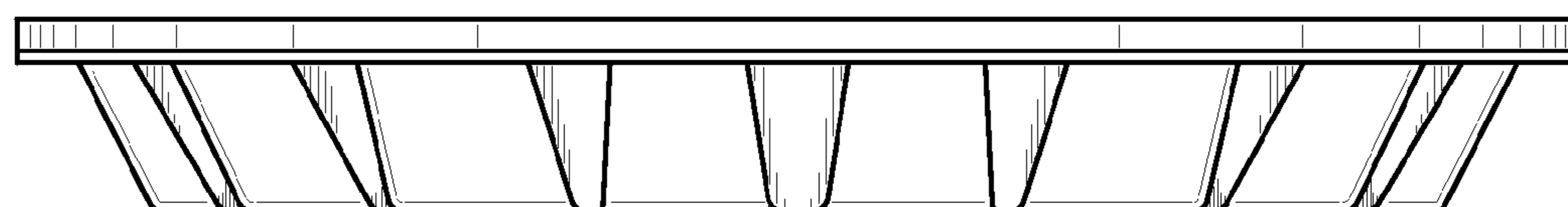


FIG. 4

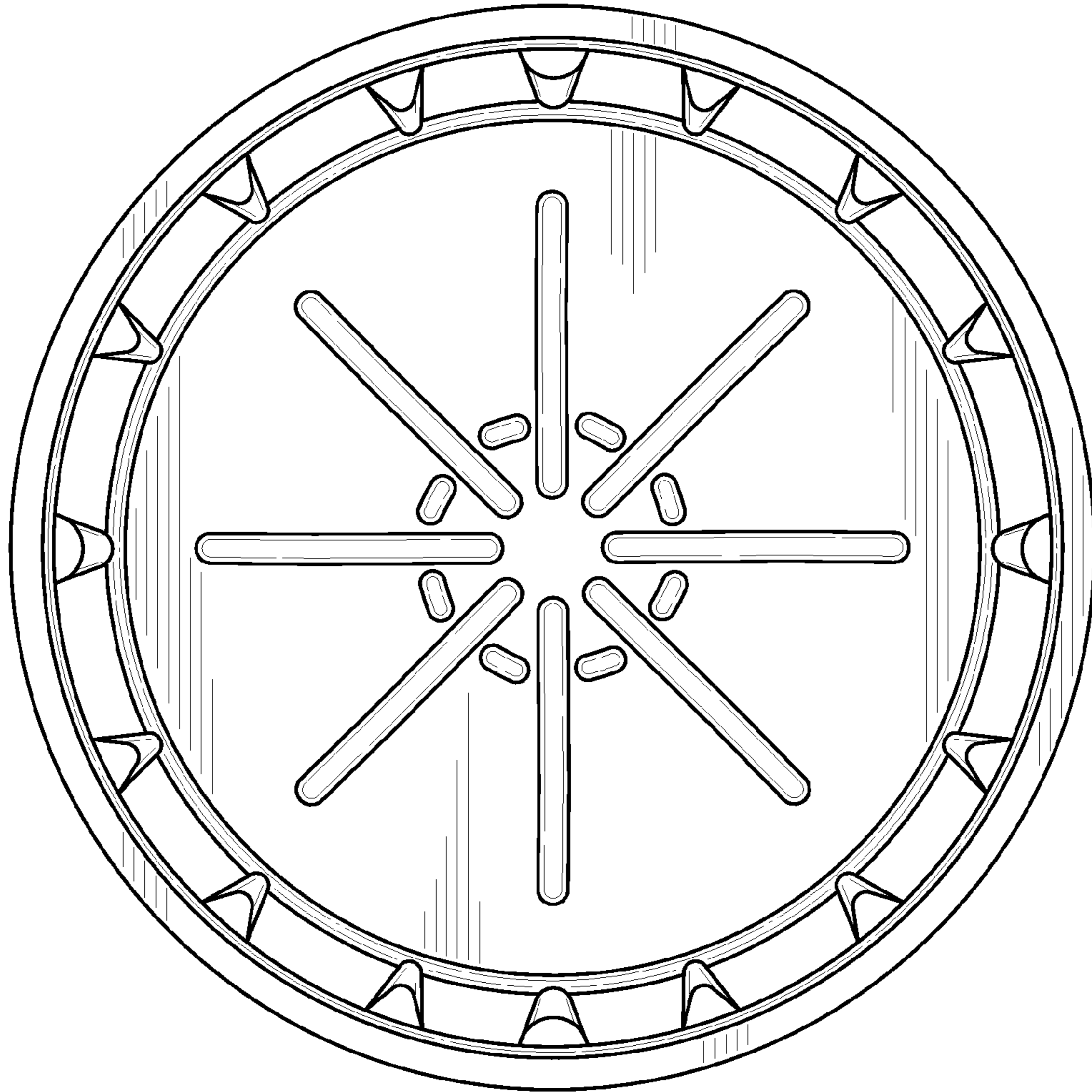


FIG. 5

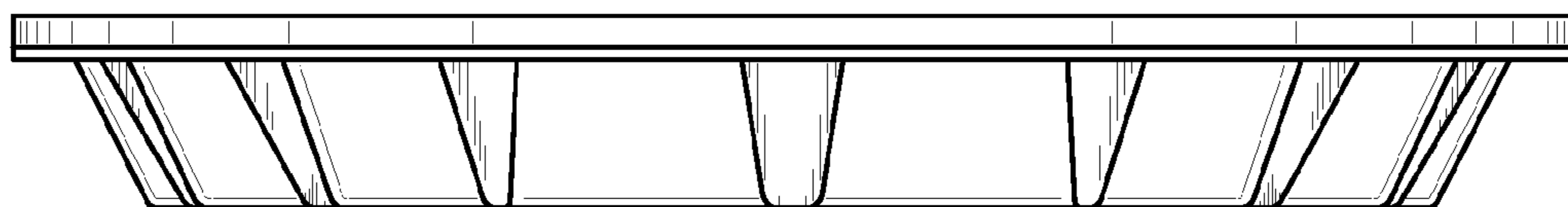


FIG. 6