



US00D645707S

(12) **United States Design Patent**
Stamper et al.

(10) **Patent No.:** **US D645,707 S**

(45) **Date of Patent:** **** Sep. 27, 2011**

(54) **CONTAINER**

(75) Inventors: **Leonard R. Stamper**, Anaheim Hills, CA (US); **Brian Sykes**, Mission Viejo, CA (US)

(73) Assignee: **Shye Worldwide, LLC, (CA Ltd Liability Co.)**, Tustin, CA (US)

(**) Term: **14 Years**

(21) Appl. No.: **29/370,927**

(22) Filed: **Sep. 22, 2010**

(51) **LOC (9) Cl.** **07-01**

(52) **U.S. Cl.** **D7/602**

(58) **Field of Classification Search** D7/500,
D7/550.1, 553.1, 553.6, 554.2, 555, 587,
D7/601, 602, 629, 701, 703, 396.1, 538-546;
D3/272, 273; D9/414, 424, 425, 426, 427,
D9/430, 431, 432, 761; 220/574, 575, 495.03,
220/500, 528, 529, 532, 553, 554, 555, 556,
220/557, 62.11, 62.13

See application file for complete search history.

D415,421 S *	10/1999	McCann	D9/428
D417,367 S *	12/1999	Laib	D7/602
D420,857 S *	2/2000	Loew et al.	D7/558
D434,276 S *	11/2000	Obra	D7/555
D444,034 S *	6/2001	Miller et al.	D7/546
D465,887 S *	11/2002	Begnani	D32/35
D467,125 S *	12/2002	Orr et al.	D7/541
D483,999 S *	12/2003	Beachum et al.	D7/553.6
D501,366 S *	2/2005	Claypool et al.	D7/602
D522,809 S *	6/2006	Kusuma et al.	D7/602
D529,821 S *	10/2006	Wilcox et al.	D9/761
D530,625 S *	10/2006	Darin	D9/761
D549,050 S *	8/2007	Spencer et al.	D7/538
D573,414 S *	7/2008	Bellon	D7/602
D587,971 S *	3/2009	Peabody et al.	D7/555
D591,590 S *	5/2009	Wilson et al.	D9/428
D591,591 S *	5/2009	Moecks et al.	D9/428
D632,528 S *	2/2011	Olivari et al.	D7/587

* cited by examiner

Primary Examiner — Elizabeth J Oswecki

(74) *Attorney, Agent, or Firm* — Curtis L. Harrington; Harrington & Harrington

(57) **CLAIM**

The ornamental design for an container, as shown and described.

(56) **References Cited**

U.S. PATENT DOCUMENTS

D41,766 S *	9/1911	Bender	D7/557
1,576,088 A *	3/1926	Bunz	220/575
3,107,027 A *	10/1963	Hong	220/23.8
3,244,537 A *	4/1966	Cease	426/393
3,708,086 A *	1/1973	Colato	220/575
4,081,646 A *	3/1978	Goltsos	219/729
D339,030 S *	9/1993	Bitel, Sr.	D7/549
D346,934 S *	5/1994	Littlejohn	D7/549
D376,295 S *	12/1996	Ahern et al.	D7/549
D388,699 S *	1/1998	Hayes et al.	D9/761
5,853,105 A *	12/1998	Roman et al.	220/575

DESCRIPTION

FIG. 1 is a perspective view of a container showing our new design;
FIG. 2 is a left view thereof;
FIG. 3 is a right view thereof;
FIG. 4 is a front view thereof;
FIG. 5 is a rear view thereof;
FIG. 6 is a top view thereof; and,
FIG. 7 is a bottom view thereof.

1 Claim, 3 Drawing Sheets

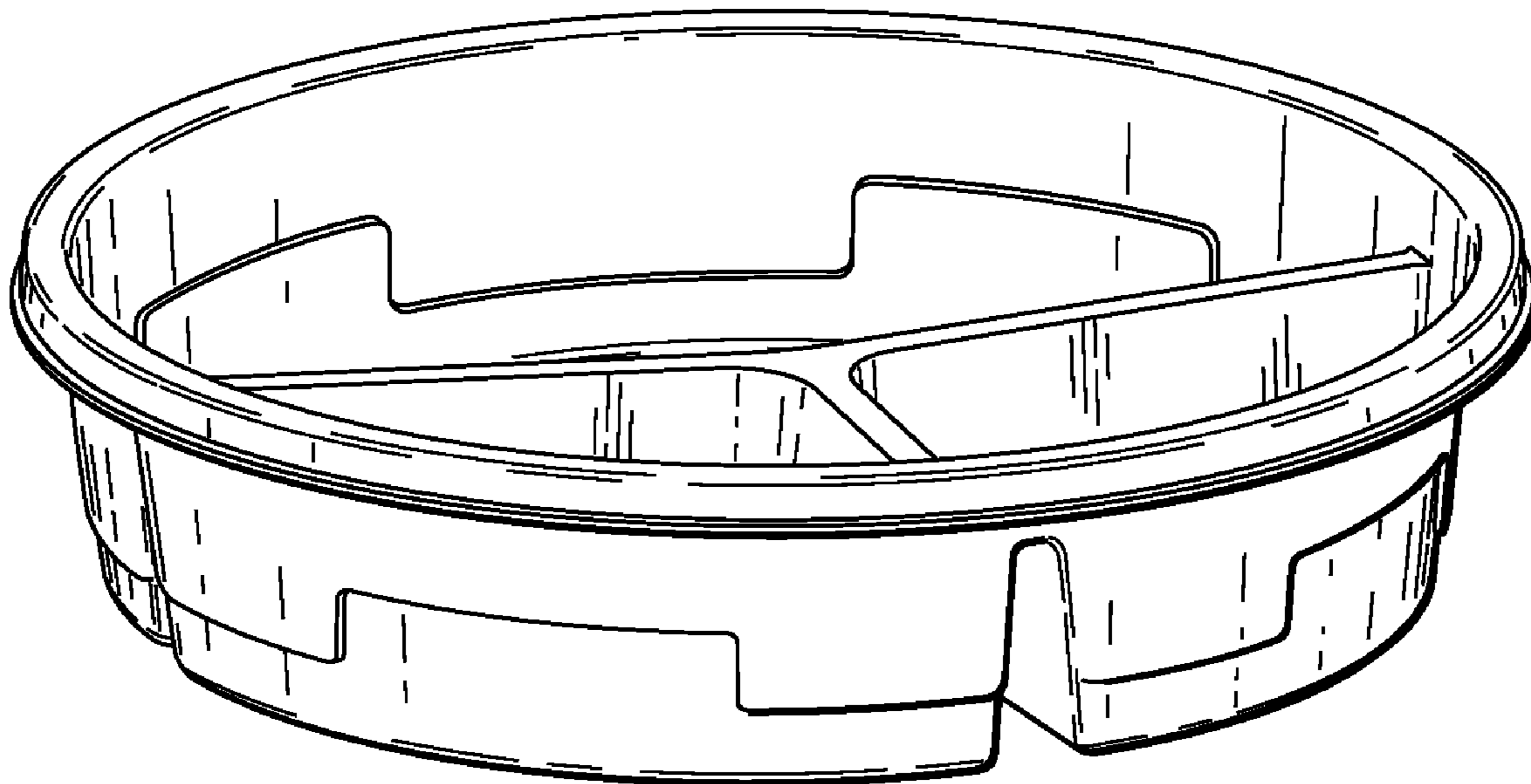


FIG. 1

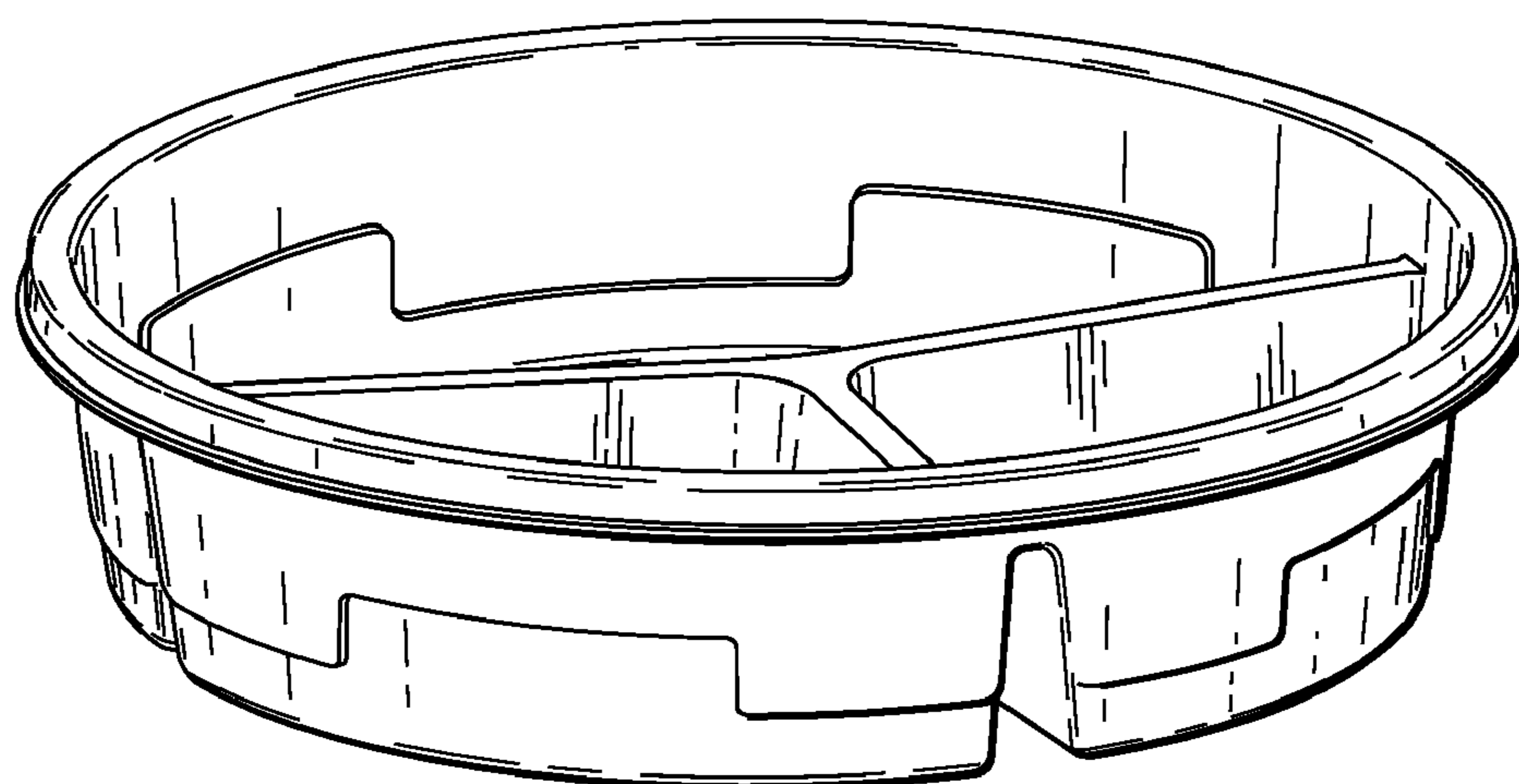


FIG. 2

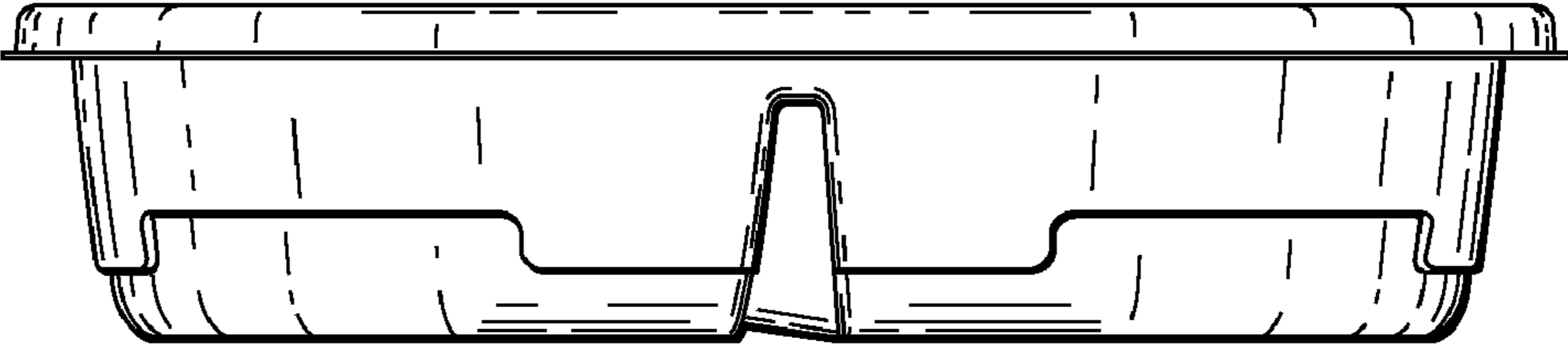


FIG. 3

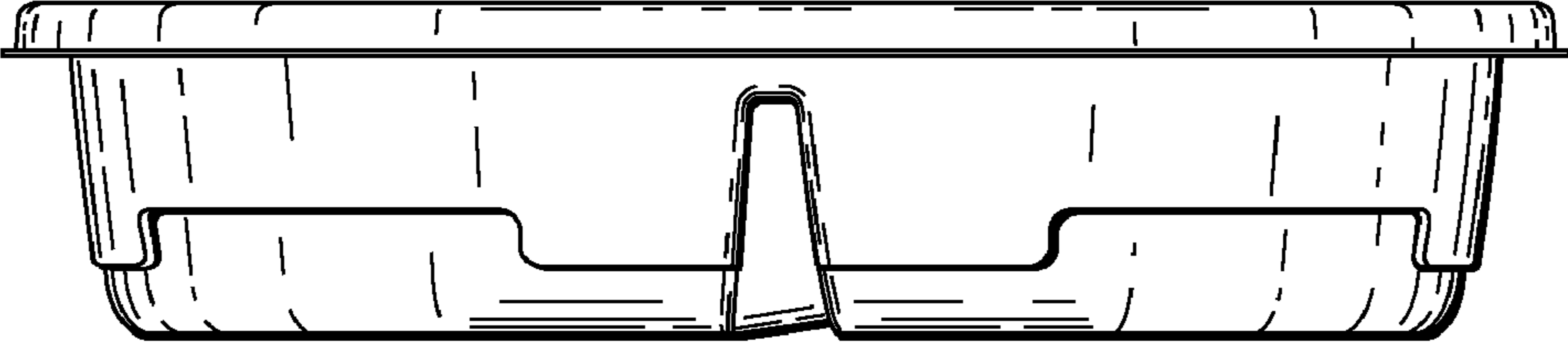


FIG. 4

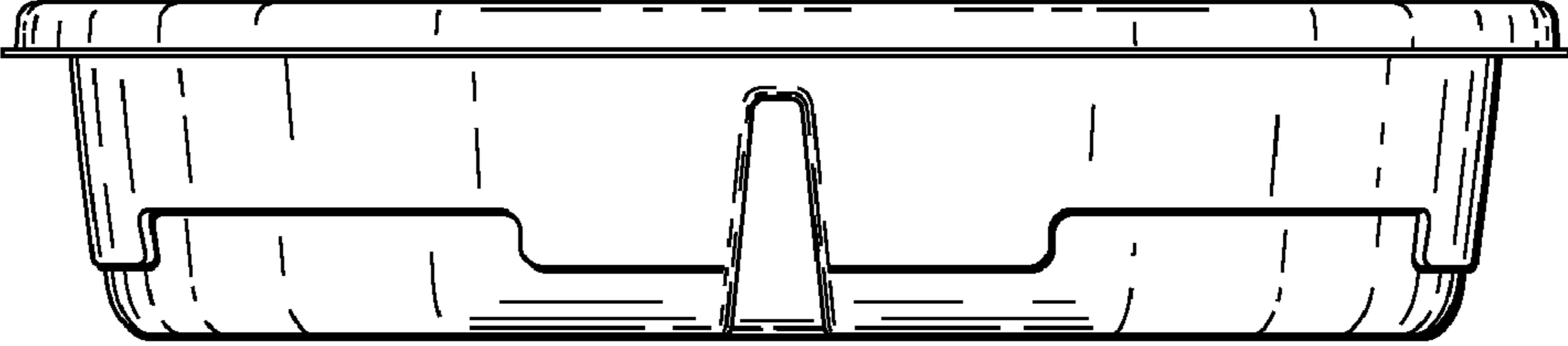


FIG. 5

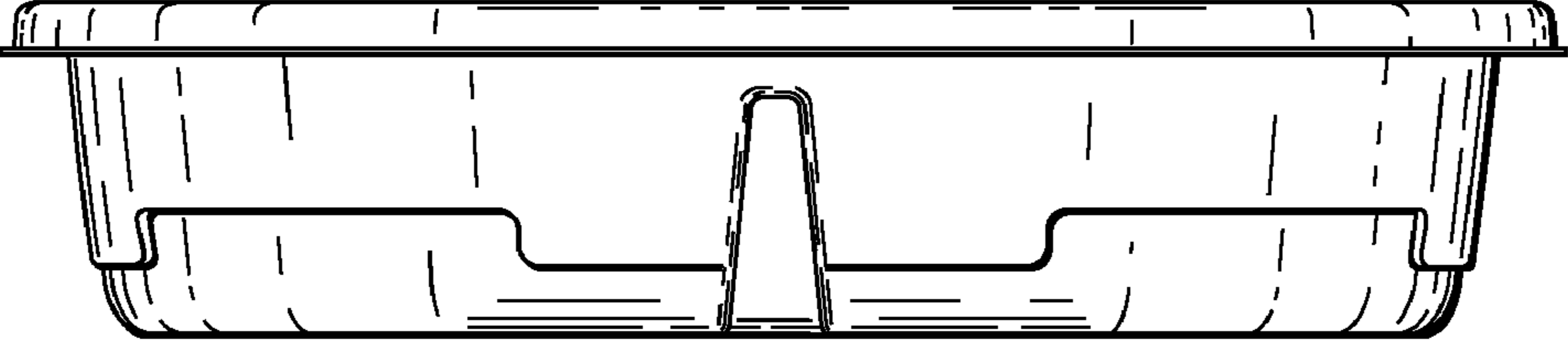


FIG. 6

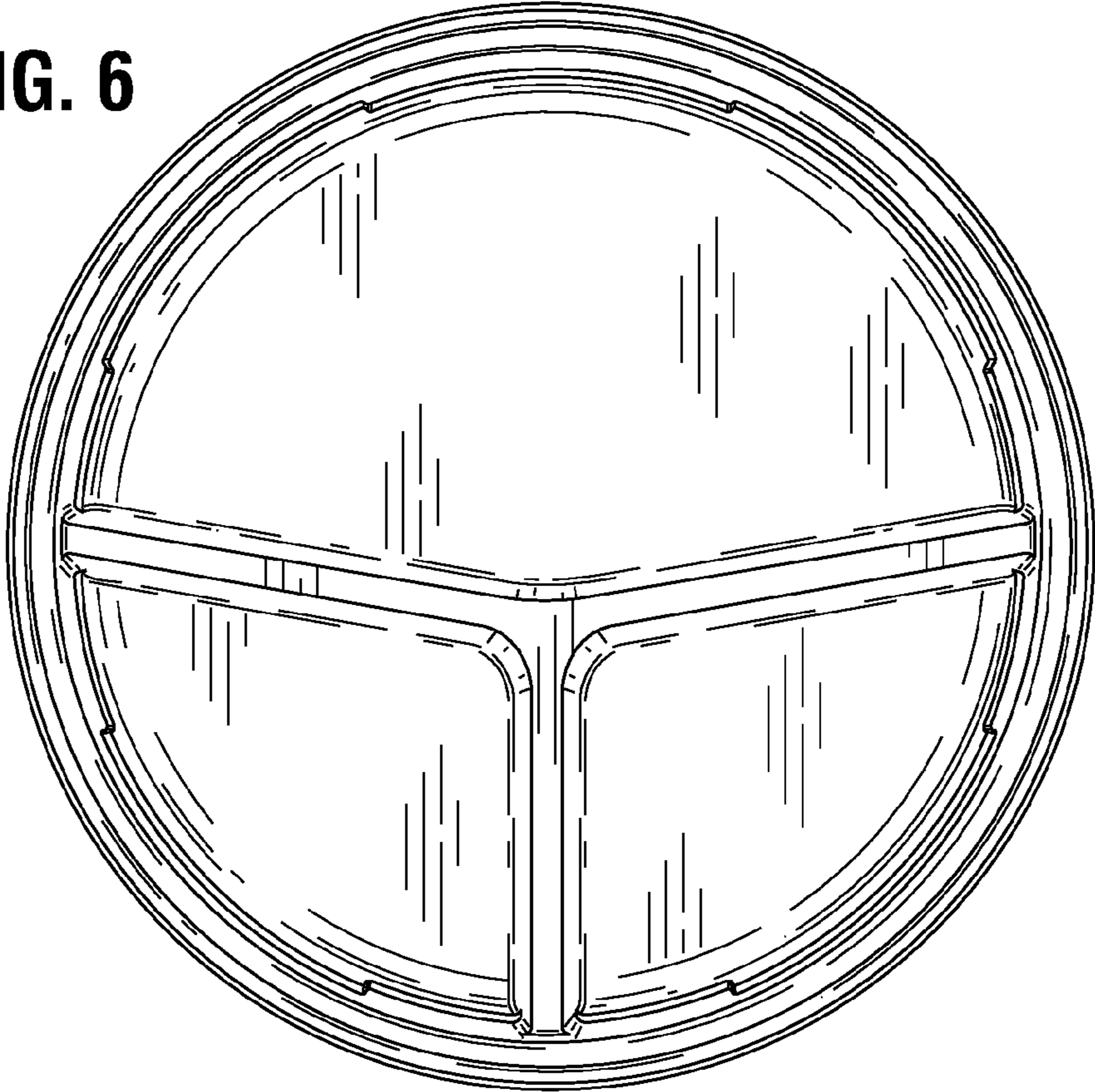


FIG. 7

