



US00D645702S

(12) **United States Design Patent**
Baacke et al.

(10) **Patent No.:** **US D645,702 S**
(45) **Date of Patent:** **** Sep. 27, 2011**

(54) **DISPLAY PANEL FOR A COOKING APPLIANCE**

(75) Inventors: **Sven Baacke**, München (DE);
Hermann-Reinhard Segers, München (DE)

(73) Assignee: **BSH Bosch und Siemens Hausgeraete GmbH**, Munich (DE)

(**) Term: **14 Years**

(21) Appl. No.: **29/376,366**

(22) Filed: **Oct. 6, 2010**

Related U.S. Application Data

(62) Division of application No. 29/359,525, filed on Apr. 13, 2010, now Pat. No. Des. 630,472, which is a division of application No. 29/345,167, filed on Oct. 12, 2009, now Pat. No. Des. 620,311, which is a division of application No. 29/285,903, filed on Apr. 16, 2007, now Pat. No. Des. 610,404.

(30) **Foreign Application Priority Data**

Nov. 30, 2006 (EM) 000640362

(51) **LOC (9) Cl.** **07-02**

(52) **U.S. Cl.** **D7/405**

(58) **Field of Classification Search** D7/304,
D7/339-441; 126/19 R, 21 A, 21 R, 39 B,
126/39 C, 239 R, 273 A, 273 R, 275 E, 183,
126/152, 42, 190, 198, 37 R; 219/391-394,
219/756-758, 679-680, 725, 727, 734, 435;
99/DIG. 14; D13/177; D15/89; D32/28;
34/88, 524

See application file for complete search history.

(56) **References Cited**

U.S. PATENT DOCUMENTS

D270,806 S * 10/1983 Notbohm D7/351

D277,523 S *	2/1985	Kim	D7/405
D367,801 S *	3/1996	McDavitt	D13/177
D508,816 S *	8/2005	Tanaka	D7/346
D513,153 S *	12/2005	Austin et al.	D7/406
D542,087 S *	5/2007	Myers et al.	D7/397
D553,163 S *	10/2007	Choi	D15/89
D553,164 S *	10/2007	Choi	D15/89
D563,998 S *	3/2008	Doberstein et al.	D15/89
D570,885 S *	6/2008	Rand et al.	D15/89
D575,310 S *	8/2008	Bruzelius et al.	D15/89
D580,222 S *	11/2008	Green et al.	D7/405
D586,616 S *	2/2009	Martin et al.	D7/405
D586,617 S *	2/2009	Martin et al.	D7/405
D587,965 S *	3/2009	Green et al.	D7/405
D610,404 S *	2/2010	Baacke et al.	D7/406
D613,994 S *	4/2010	Murphy et al.	D7/406
D620,311 S *	7/2010	Baacke et al.	D7/405
D625,148 S *	10/2010	Murphy et al.	D7/406
D630,472 S *	1/2011	Baacke et al.	D7/406

* cited by examiner

Primary Examiner — T. Chase Nelson

Assistant Examiner — Mark Cavanna

(74) *Attorney, Agent, or Firm* — James E. Howard; Andre Pallapies

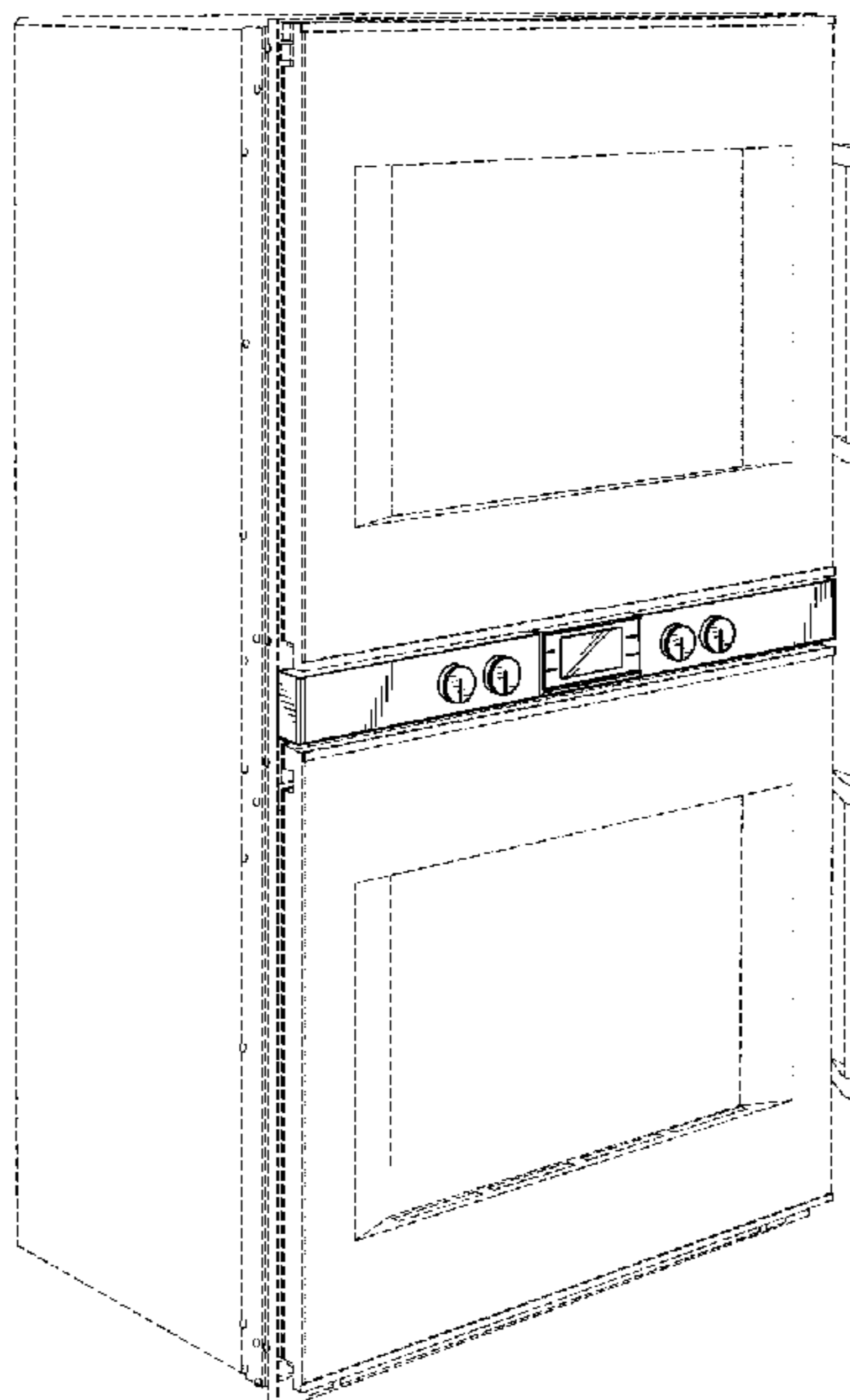
(57) **CLAIM**

The ornamental design for a display panel for a cooking appliance, as shown and described.

DESCRIPTION

FIG. 1 is a front view of a display panel for a cooking appliance showing our new design; and, FIG. 2 is a perspective view thereof. The broken lines represent environmental structure of the display panel for a cooking appliance, and form no part of the claimed design.

1 Claim, 2 Drawing Sheets



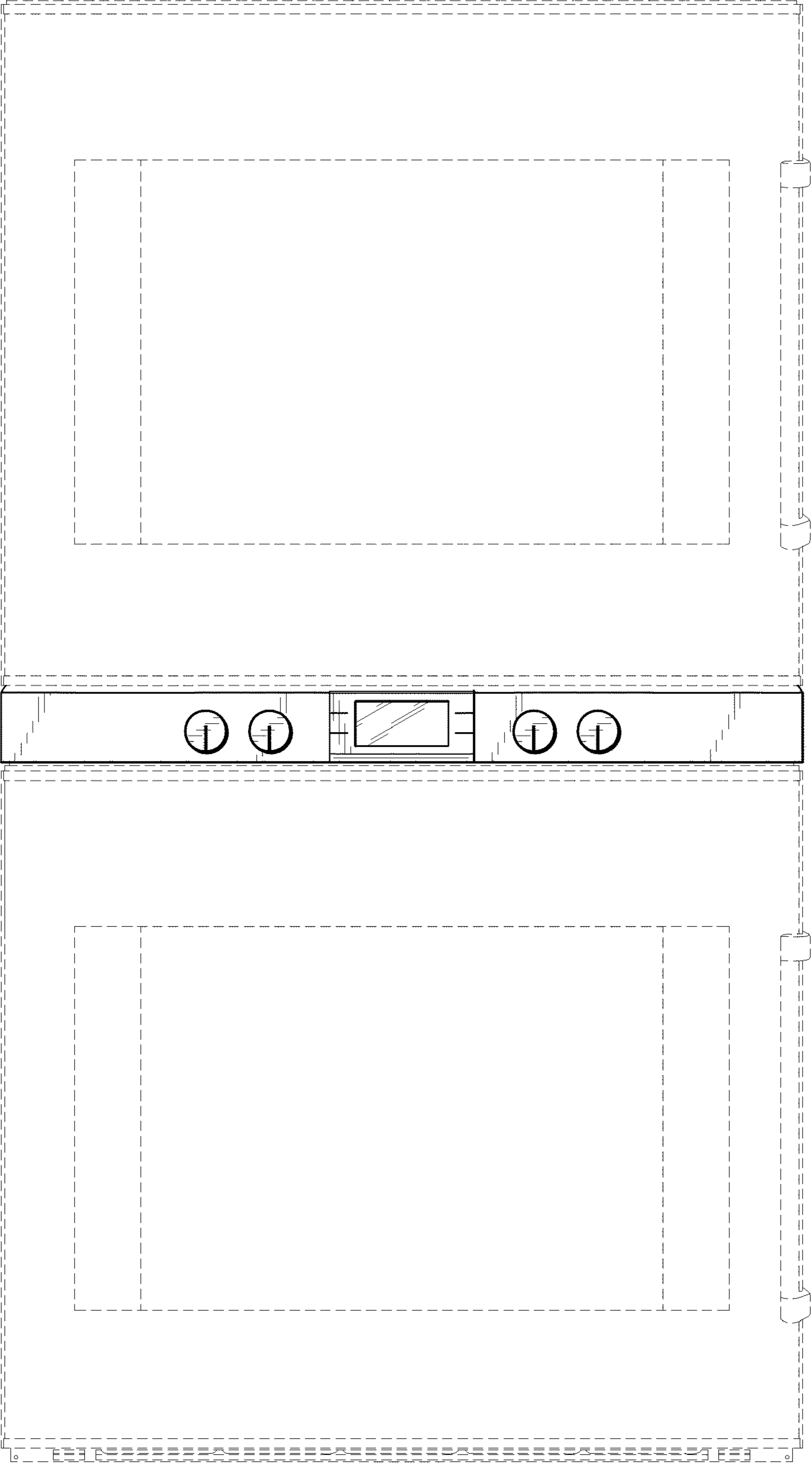


Fig. 1

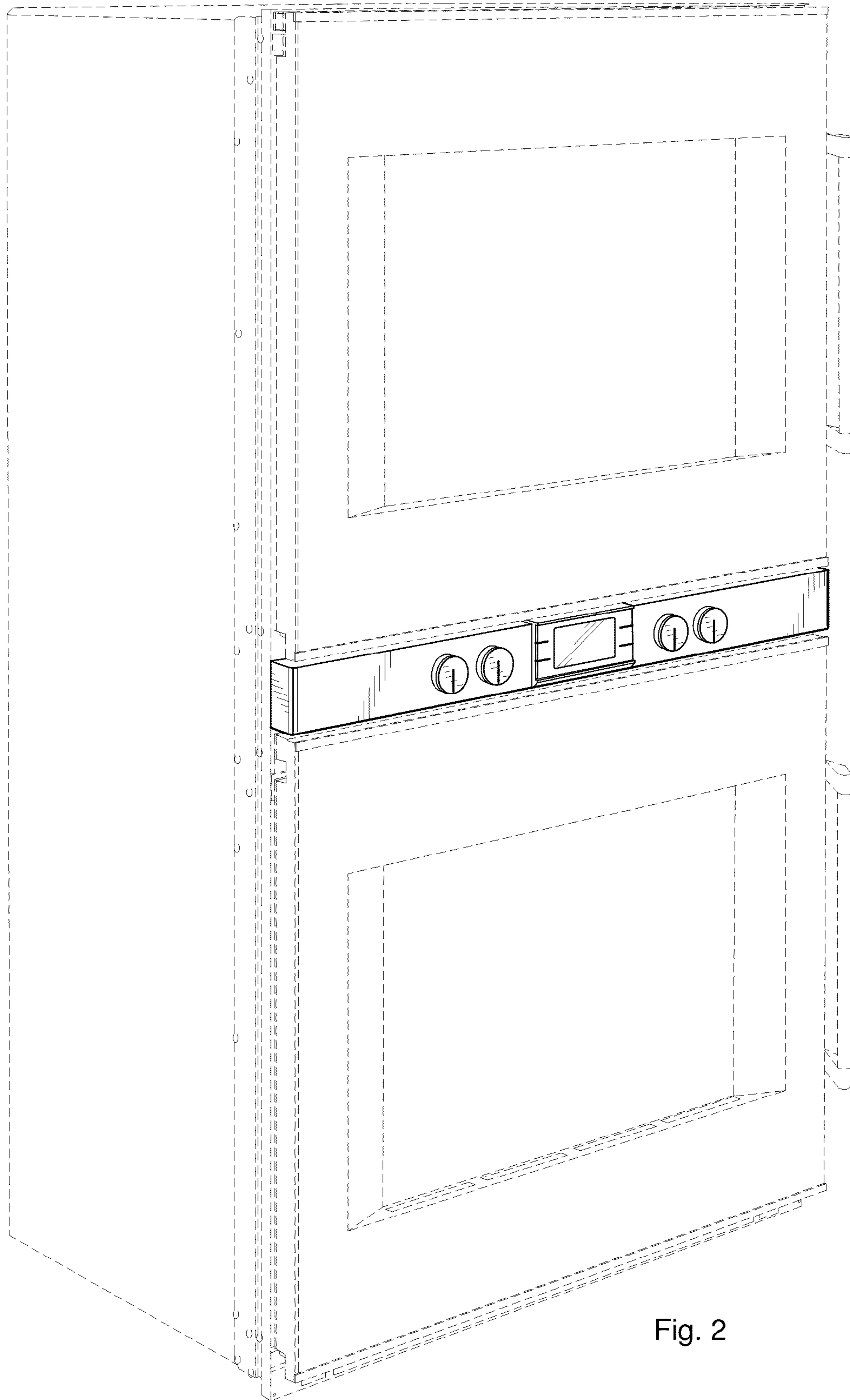


Fig. 2