



US00D645701S

(12) **United States Design Patent**  
**Murphy et al.**

(10) **Patent No.:** **US D645,701 S**

(45) **Date of Patent:** **\*\* Sep. 27, 2011**

(54) **WARMING DRAWER/USER INTERFACE**

(75) Inventors: **Kyle Allen Murphy**, Burke, VA (US);  
**Graham Sadtler**, Huntington Beach, CA (US)

(73) Assignee: **BSH Home Appliances Corporation**,  
Huntington Beach, CA (US)

(\*\*) Term: **14 Years**

(21) Appl. No.: **29/364,012**

(22) Filed: **Jun. 17, 2010**

D367,801 S *	3/1996	McDavitt	.....	D7/406
D508,816 S *	8/2005	Tanaka	.....	D7/346
D513,153 S *	12/2005	Austin et al.	.....	D7/406
D542,087 S *	5/2007	Myers et al.	.....	D7/397
D553,163 S *	10/2007	Choi	.....	D15/89
D553,164 S *	10/2007	Choi	.....	D15/89
D563,998 S *	3/2008	Doberstein et al.	.....	D15/89
D570,885 S *	6/2008	Rand et al.	.....	D15/89
D575,310 S *	8/2008	Bruzelius et al.	.....	D15/89
D580,222 S *	11/2008	Green et al.	.....	D7/405
D582,198 S *	12/2008	Cruver et al.	.....	D7/350.1
D586,616 S *	2/2009	Martin et al.	.....	D7/405
D586,617 S *	2/2009	Martin et al.	.....	D7/405
D587,965 S *	3/2009	Green et al.	.....	D7/405
D613,994 S *	4/2010	Murphy et al.	.....	D7/406

\* cited by examiner

**Related U.S. Application Data**

(60) Division of application No. 29/356,981, filed on Mar. 5, 2010, now Pat. No. Des. 625,148, and a continuation-in-part of application No. 29/270,171, filed on Dec. 15, 2006, now Pat. No. Des. 613,994.

(51) **LOC (9) Cl.** ..... **07-02**

(52) **U.S. Cl.** ..... **D7/402**

(58) **Field of Classification Search** ..... D7/304,  
D7/346, 350.3-350.4, 348-349, 351, 355,  
D7/397, 402, 405, 406; D13/177; D15/89;  
D32/128; 34/88, 524; 126/19 M, 275 E,  
126/183, 52, 19 R, 273 R, 42, 39 B, 190,  
126/198, 1 R, 37 R, 39 R, 21 R, 273 A;  
219/756-758, 679-680, 725, 727, 734, 435  
See application file for complete search history.

(56) **References Cited**

**U.S. PATENT DOCUMENTS**

D270,806 S *	10/1983	Notbohm	.....	D7/351
D277,523 S *	2/1985	Kim	.....	D7/405

*Primary Examiner* — T. Chase Nelson

*Assistant Examiner* — Mark Cavanna

(74) *Attorney, Agent, or Firm* — James E. Howard; Andre Pallapies

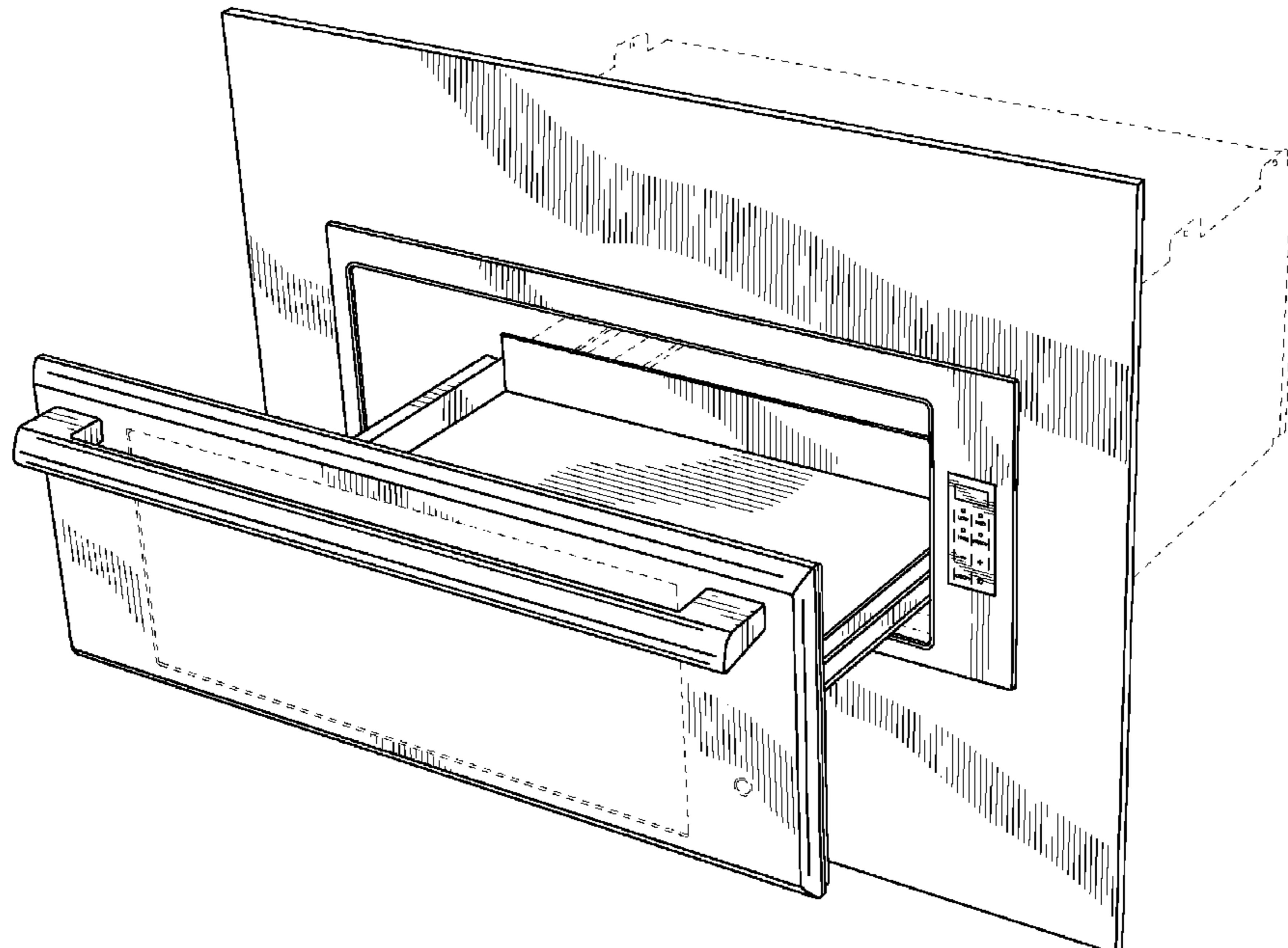
(57) **CLAIM**

The ornamental design for a warming drawer/user interface, as shown and described.

**DESCRIPTION**

FIG. 1 is a perspective view of a warming drawer with a user interface showing a first embodiment of our new ornamental design; and, FIG. 2 is a perspective view of a warming drawer with a user interface showing a second embodiment of our new ornamental design. The broken lines represent environment or structure of the warming drawer/user interface and form no part of the claimed design.

**1 Claim, 2 Drawing Sheets**



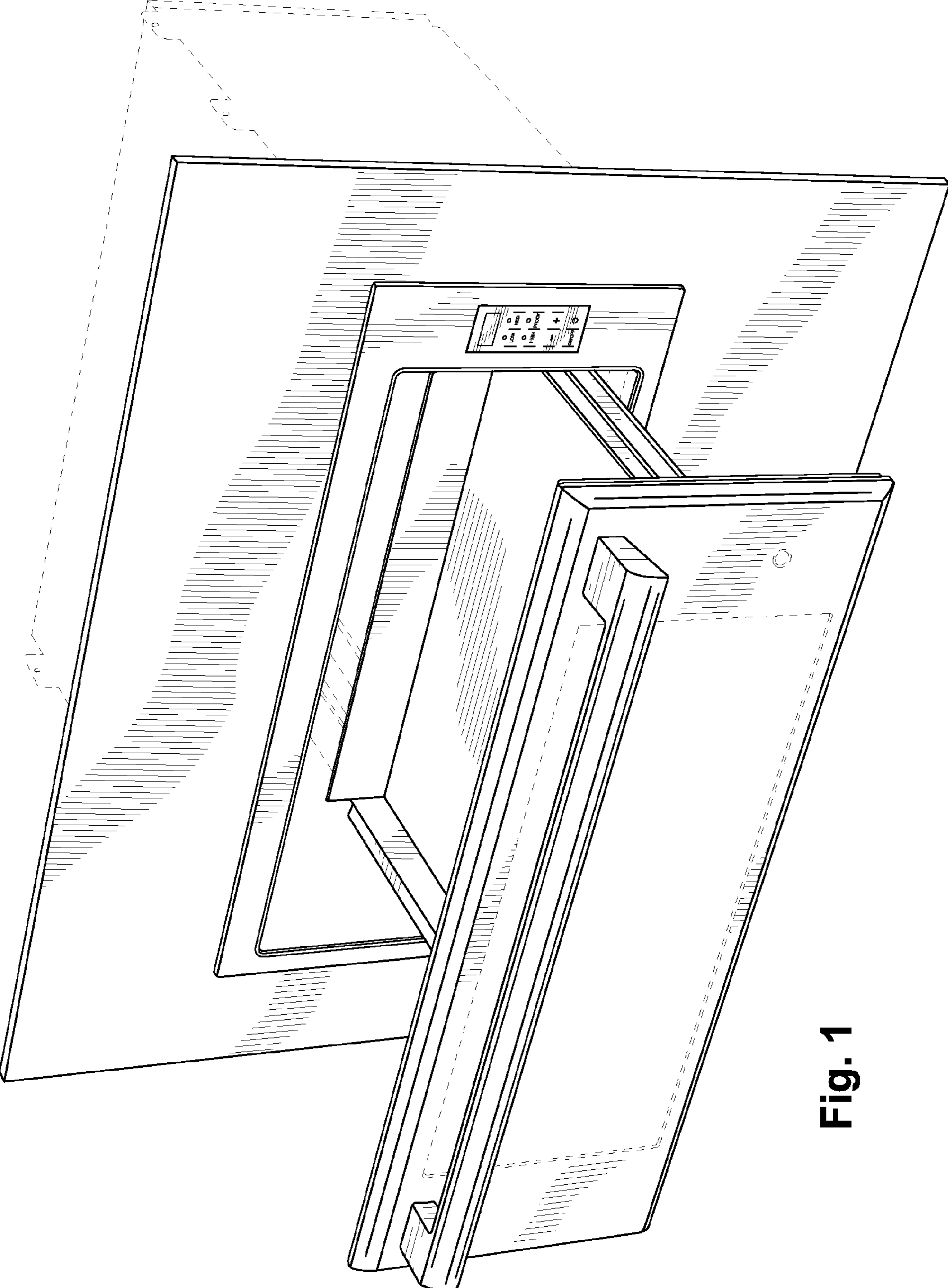


Fig. 1

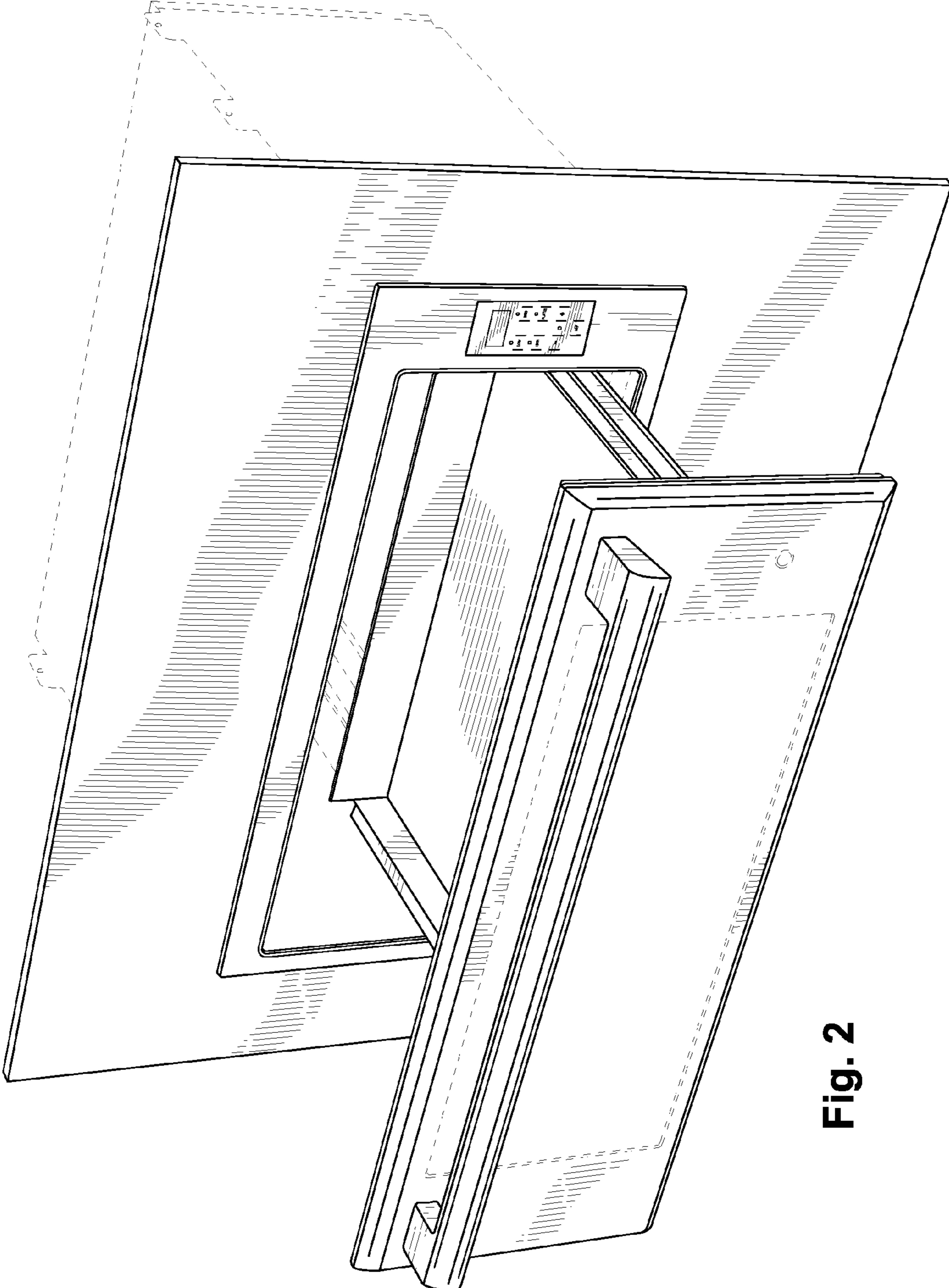


Fig. 2