



US00D645700S

(12) **United States Design Patent**
Hadley

(10) **Patent No.:** **US D645,700 S**

(45) **Date of Patent:** **** Sep. 27, 2011**

(54) **BOTTLE**

(75) Inventor: **Gary W. Hadley**, San Clemente, CA (US)

(73) Assignee: **I.D. Gear Inc.**, Aliso Viejo, CA (US)

(**) Term: **14 Years**

(21) Appl. No.: **29/356,009**

(22) Filed: **Feb. 18, 2010**

(51) **LOC (9) Cl.** **07-01**

(52) **U.S. Cl.** **D7/396.2; D7/510; D7/624.2**

(58) **Field of Classification Search** D7/396.2, D7/510, 511, 509, 624.2, 392.1, 387, 607, D7/608, 529; D20/11; 220/703, 592.16, 220/592.17; 215/387; D9/716, 719, 776

See application file for complete search history.

(56) **References Cited**

U.S. PATENT DOCUMENTS

1,632,347	A	6/1927	Pipkin	
D346,308	S *	4/1994	Cautereels et al.	D7/509
D353,098	S	12/1994	Beechuk et al.	
D359,654	S	6/1995	Westgerdes	
D373,706	S	9/1996	Gregg	
D391,448	S	3/1998	Winer et al.	
5,820,016	A	10/1998	Stropkay	
D407,270	S *	3/1999	Wilson	D7/529
D429,968	S	8/2000	Frankel	
D430,456	S *	9/2000	Thuma	D7/509
D433,729	S	11/2000	Poirier et al.	
D434,272	S *	11/2000	Johansen et al.	D7/396.6
6,182,855	B1	2/2001	Alpert	
D452,949	S	1/2002	Wang	
D496,559	S	9/2004	Bodum	
6,814,253	B2	11/2004	Wong	
D509,707	S	9/2005	Tien	
D527,267	S *	8/2006	Zboch et al.	D9/516
D527,635	S	9/2006	Zboch et al.	
D529,338	S	10/2006	Poulson et al.	
D536,929	S	2/2007	Kingsley	
D540,125	S *	4/2007	Hicks	D7/624.2
D541,596	S	5/2007	Hicks	
D545,129	S	6/2007	Tien	
D548,012	S *	8/2007	Tien	D7/532

D549,048 S 8/2007 Duke et al.
D585,700 S 2/2009 Chu
D590,211 S 4/2009 Mancha, Jr. et al.

(Continued)

Primary Examiner — Cynthia Underwood

(74) *Attorney, Agent, or Firm* — Knobbe, Martens, Olson & Bear, LLP

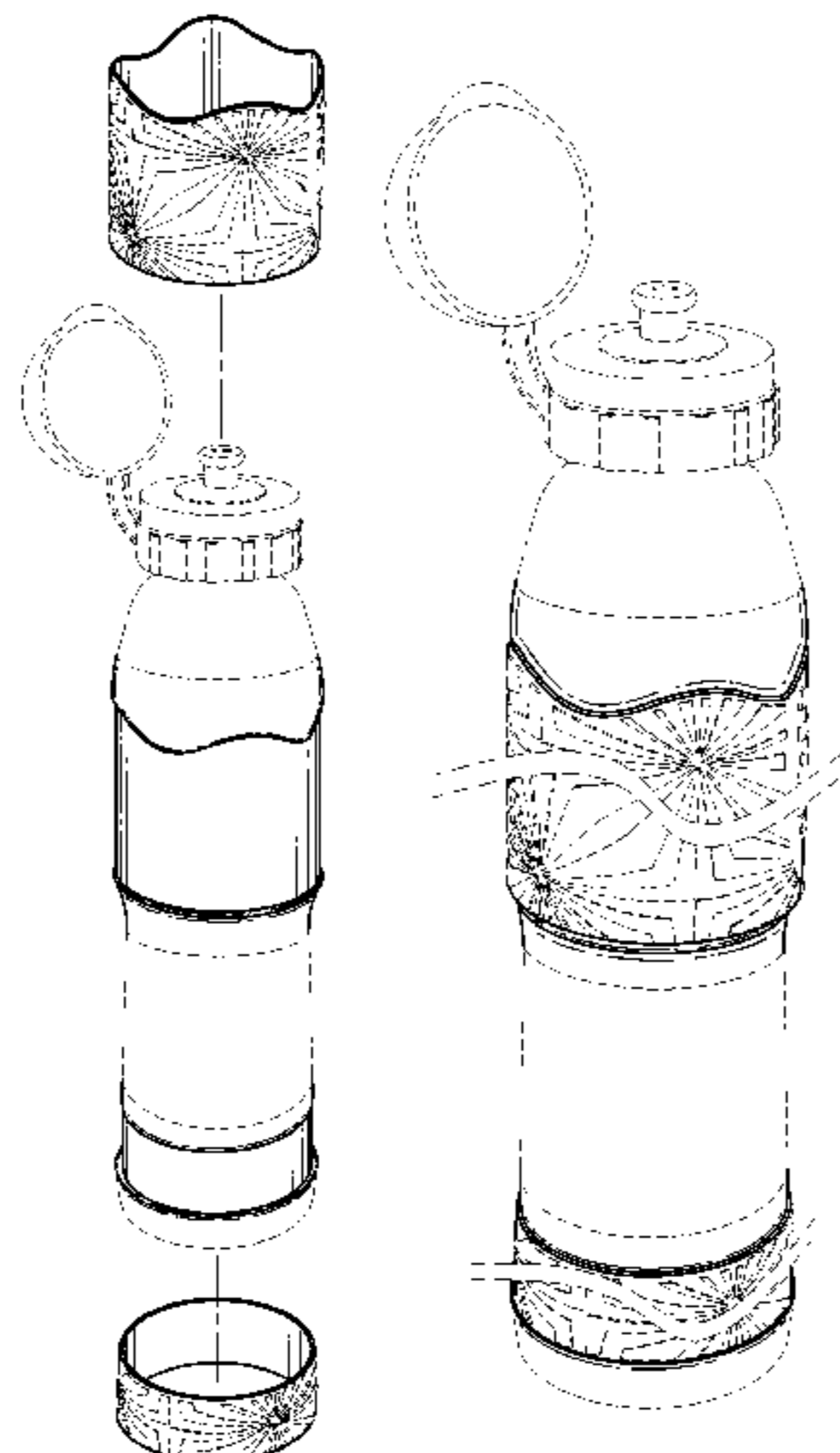
(57) **CLAIM**

The ornamental design for a bottle, as shown and described.

DESCRIPTION

FIG. 1 is a perspective view of an embodiment of a bottle according to the present design;
 FIG. 2 is an exploded perspective view of the embodiment of FIG. 1;
 FIG. 3 is a front elevational view of the embodiment of FIG. 1;
 FIG. 4 is a left-side elevational view of the embodiment of FIG. 1;
 FIG. 5 is a right-side elevational view of the embodiment of FIG. 1;
 FIG. 6 is a top-plan view of the embodiment of FIG. 1;
 FIG. 7 is a bottom-plan view of the embodiment of FIG. 1;
 FIG. 8 is a perspective view of a second embodiment of the bottle according to the present design.
 FIG. 9 is an exploded perspective view of the embodiment of FIG. 8;
 FIG. 10 is a front elevational view of the embodiment of FIG. 8;
 FIG. 11 is a left-side elevational view of the embodiment of FIG. 8;
 FIG. 12 is a right-side elevational view of the embodiment of FIG. 8;
 FIG. 13 is a top-plan view of the embodiment of FIG. 8; and,
 FIG. 14 is a bottom-plan view of the embodiment of FIG. 8.
 The broken lines are included for illustrative purposes and form no part of the claimed design. The sets of horizontal wave shaped broken lines in FIGS. 8-12 represent indeterminate claim to length.

1 Claim, 8 Drawing Sheets



US D645,700 S

Page 2

U.S. PATENT DOCUMENTS

7,537,136 B2 *	5/2009	Hechmati	220/739			
D594,088 S	6/2009	Pritchard					
D594,707 S	6/2009	Silverstein et al.					
D594,708 S *	6/2009	Silverstein et al.	D7/624.2			
D596,458 S	7/2009	McKinney					
D597,795 S	8/2009	Ford					
D602,735 S	10/2009	Lown et al.					
D611,765 S	3/2010	George					
D611,772 S *	3/2010	Silverstein et al.	D7/624.2			
D612,202 S *	3/2010	Hillebrenner	D7/396.2			
D612,671 S	3/2010	Sanchez et al.					
D623,474 S *	9/2010	Carlson et al.	D7/510			
D623,476 S *	9/2010	Carlson et al.	D7/510			
D624,362 S *	9/2010	Wahl	D7/510			
D634,159 S *	3/2011	Bodum	D7/509			
D635,397 S *	4/2011	Hollis et al.	D7/396.2			
2004/0128877 A1 *	7/2004	Luedde	40/306			
2008/0078824 A1	4/2008	Spiegel et al.					
2009/0050641 A1 *	2/2009	Ivey	220/713			
2009/0057257 A1	3/2009	Marcus et al.					

* cited by examiner

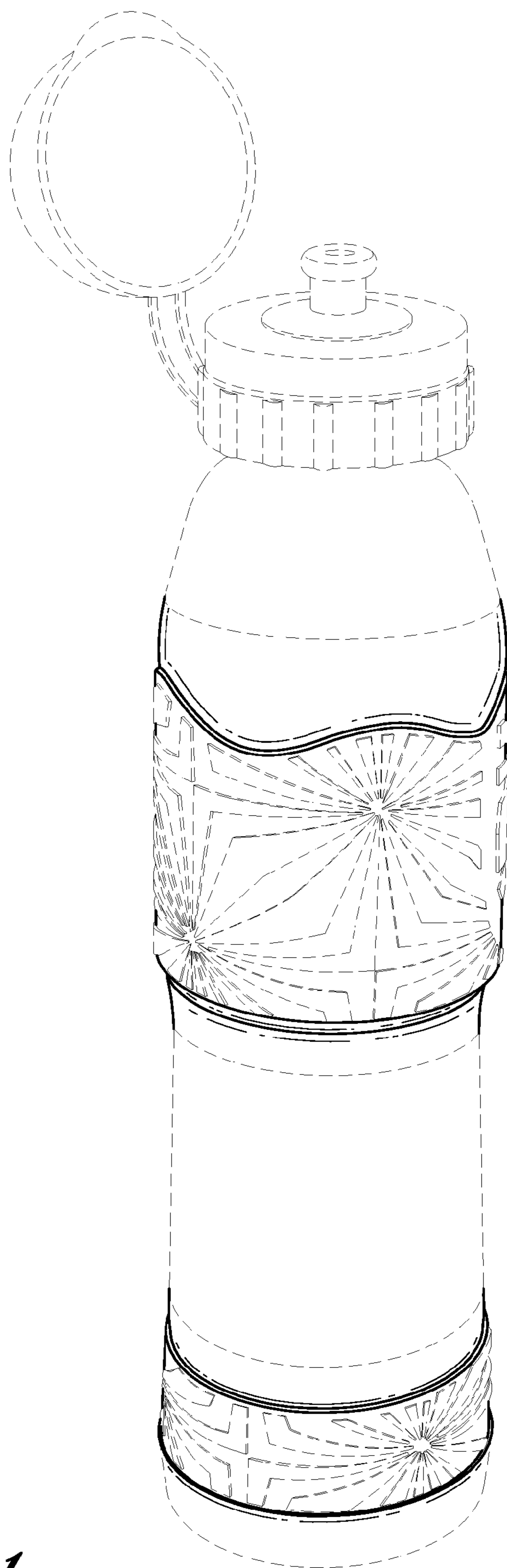


FIG. 1

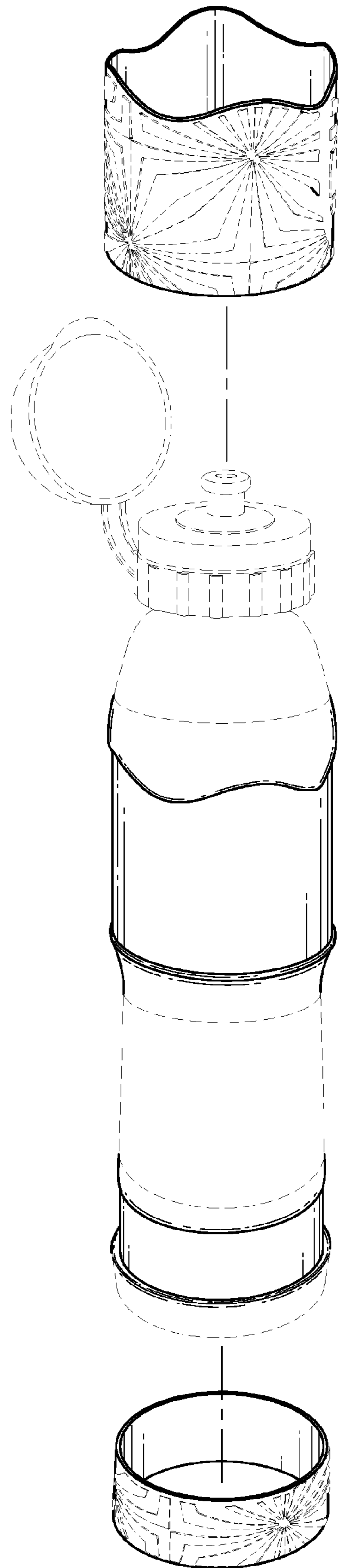


FIG. 2

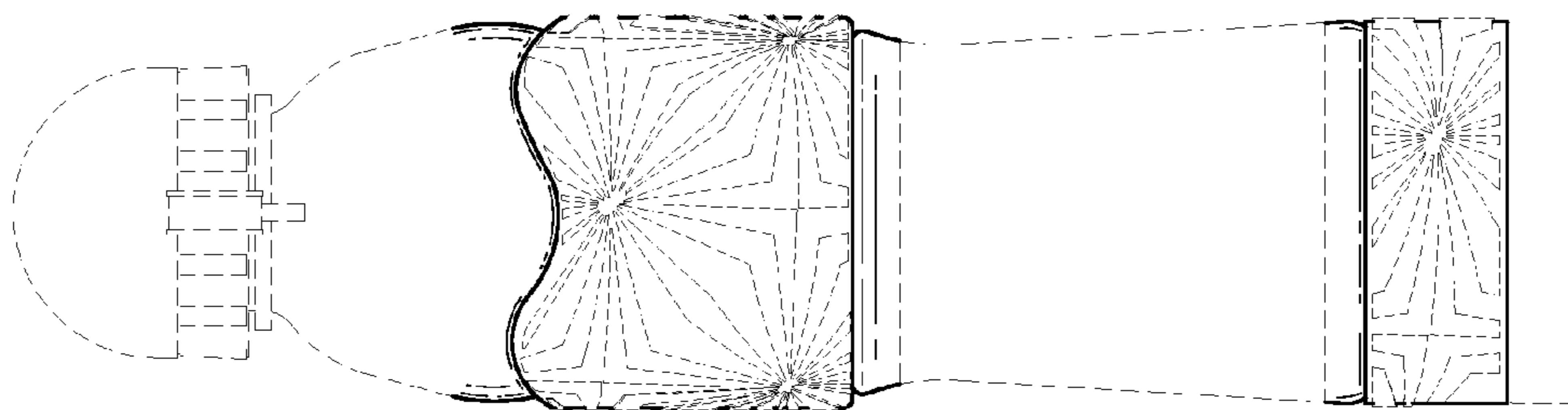


FIG. 3

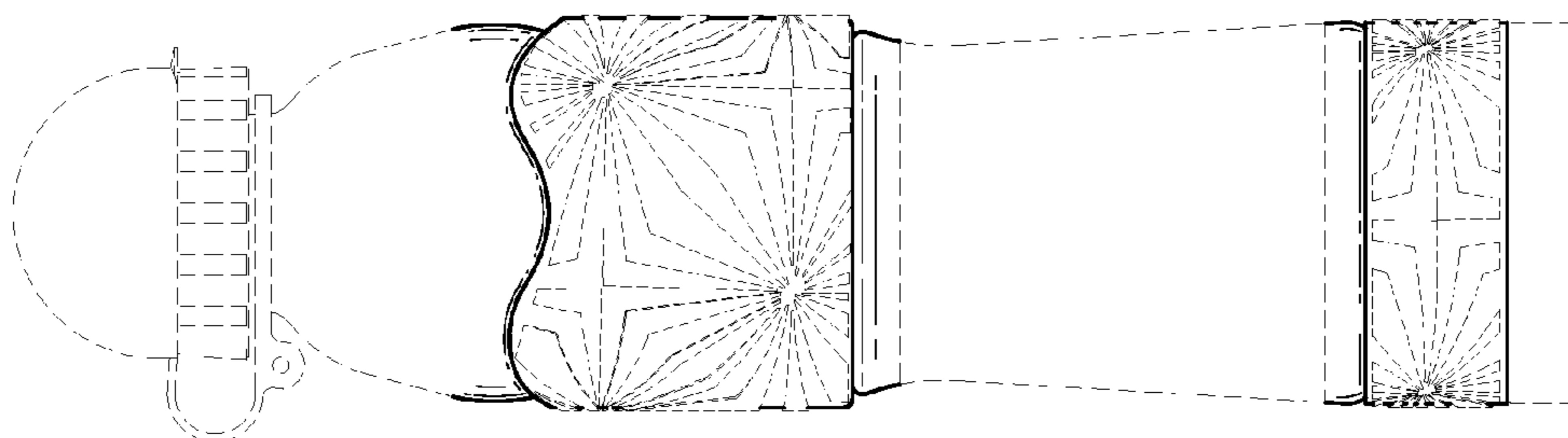


FIG. 4

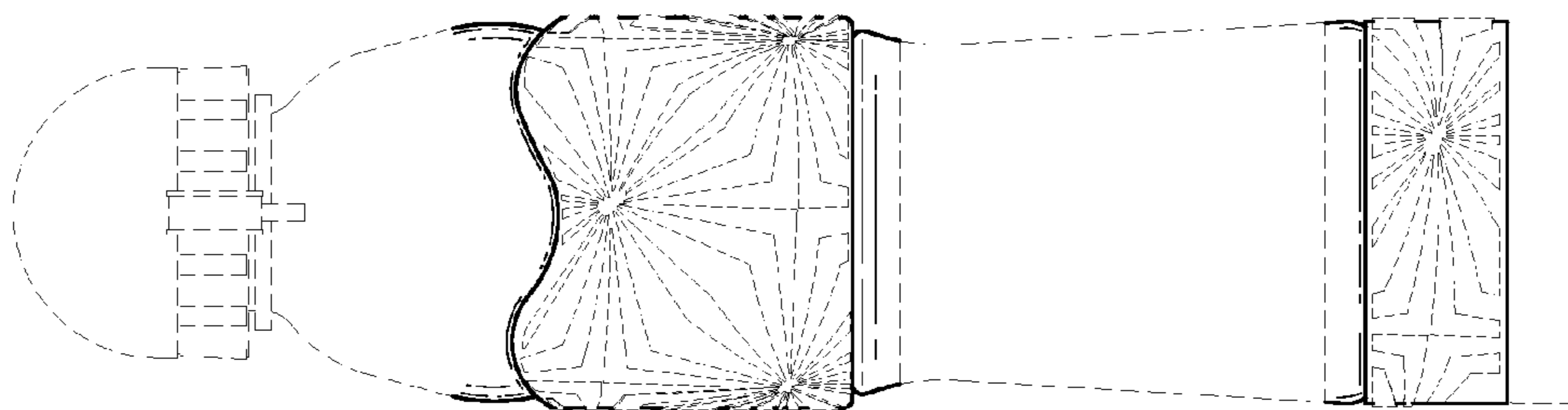


FIG. 5

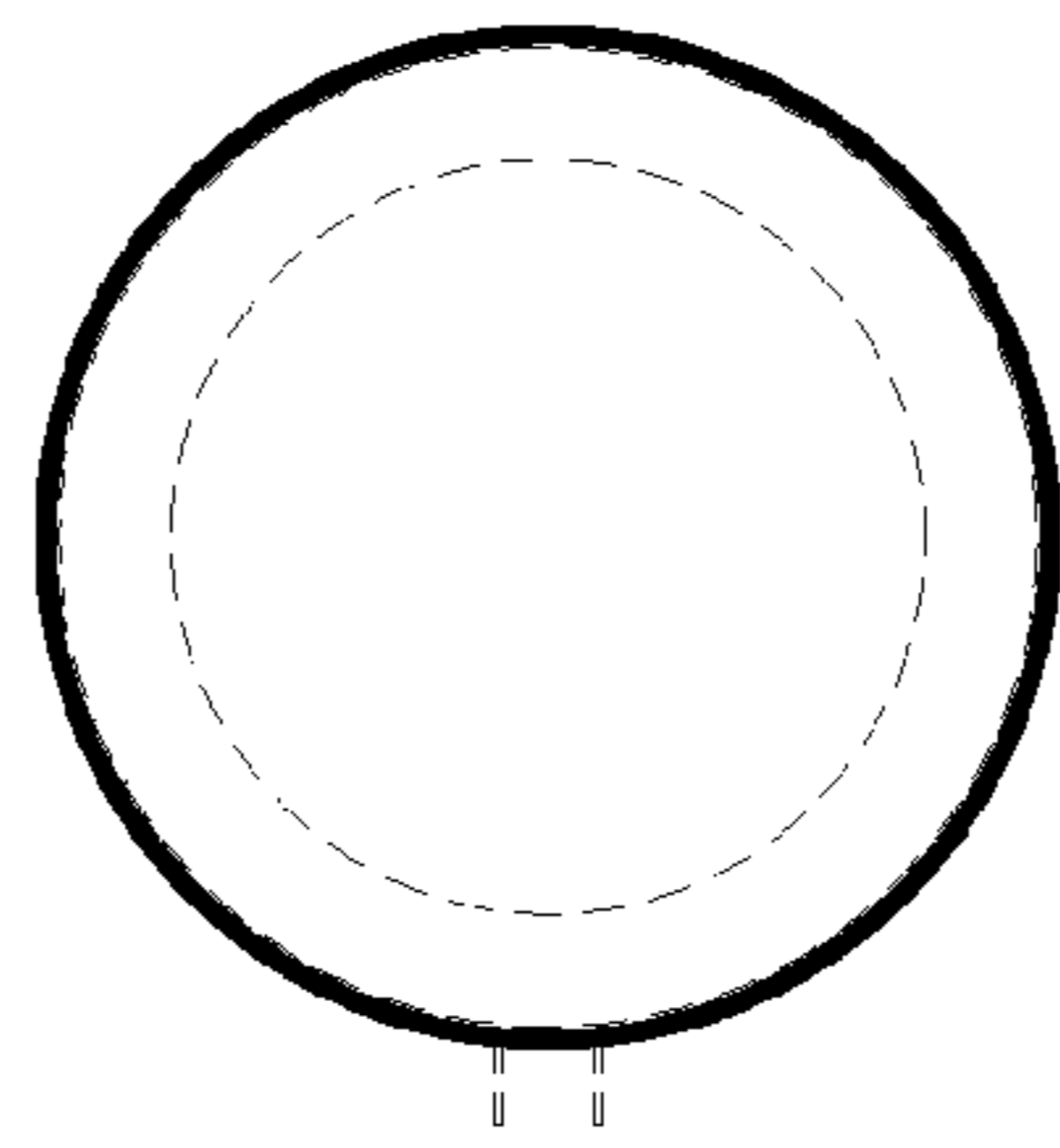


FIG. 7

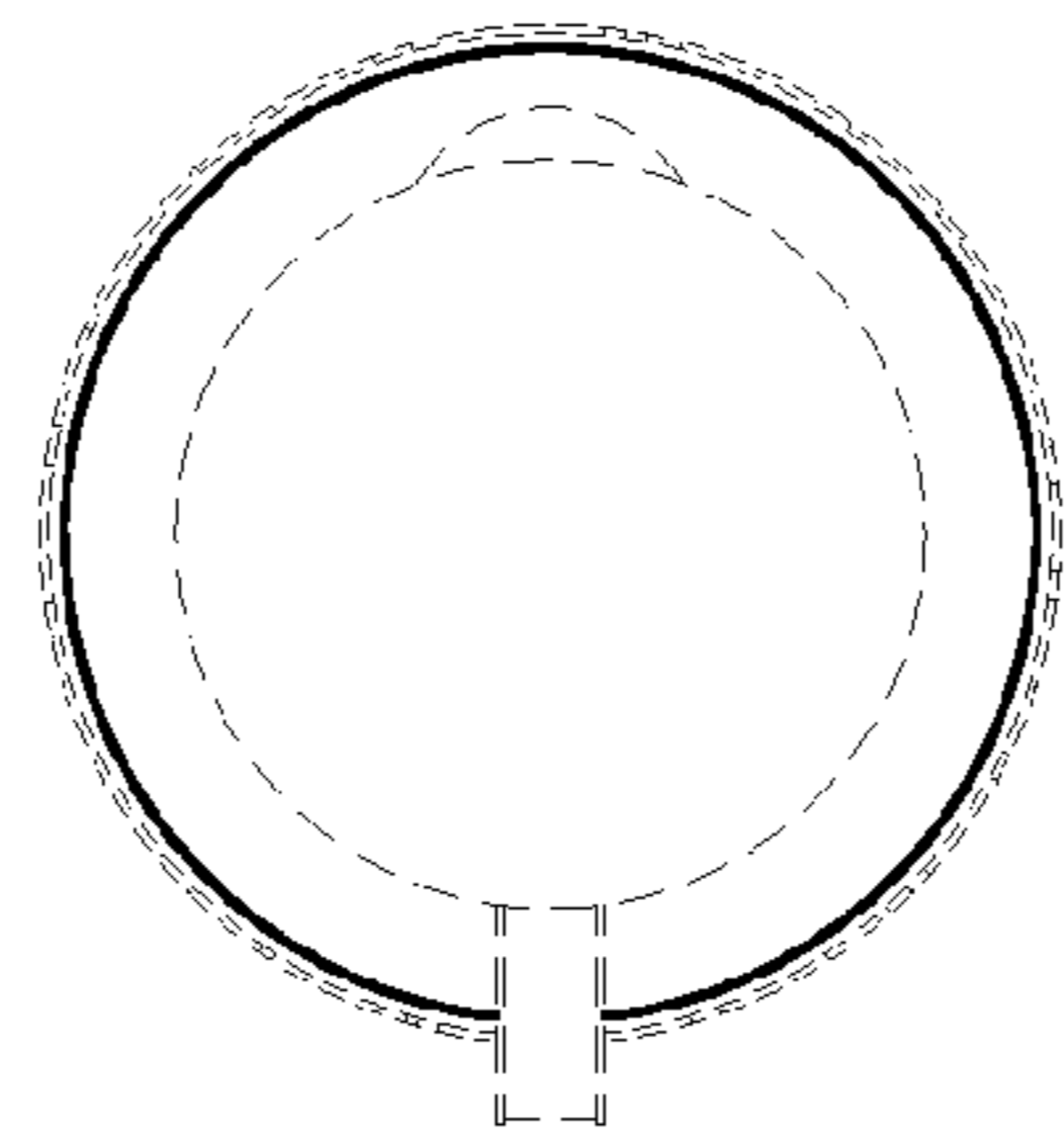


FIG. 6

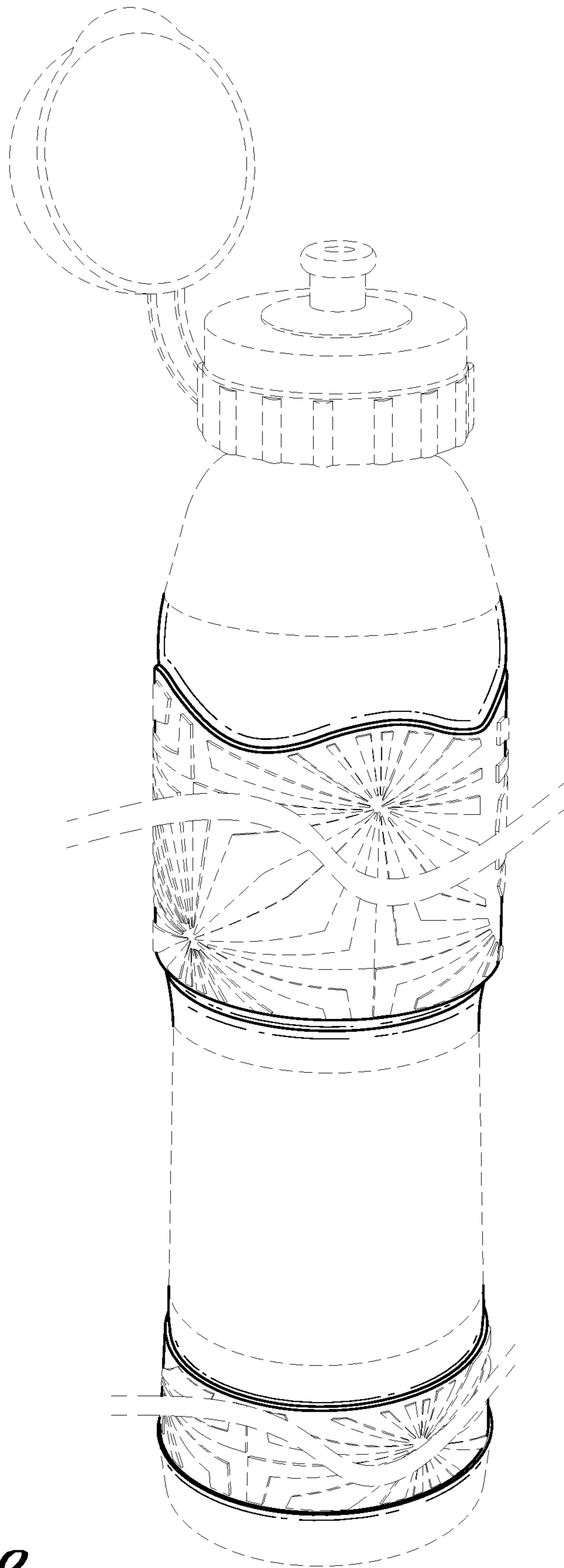


FIG. 8

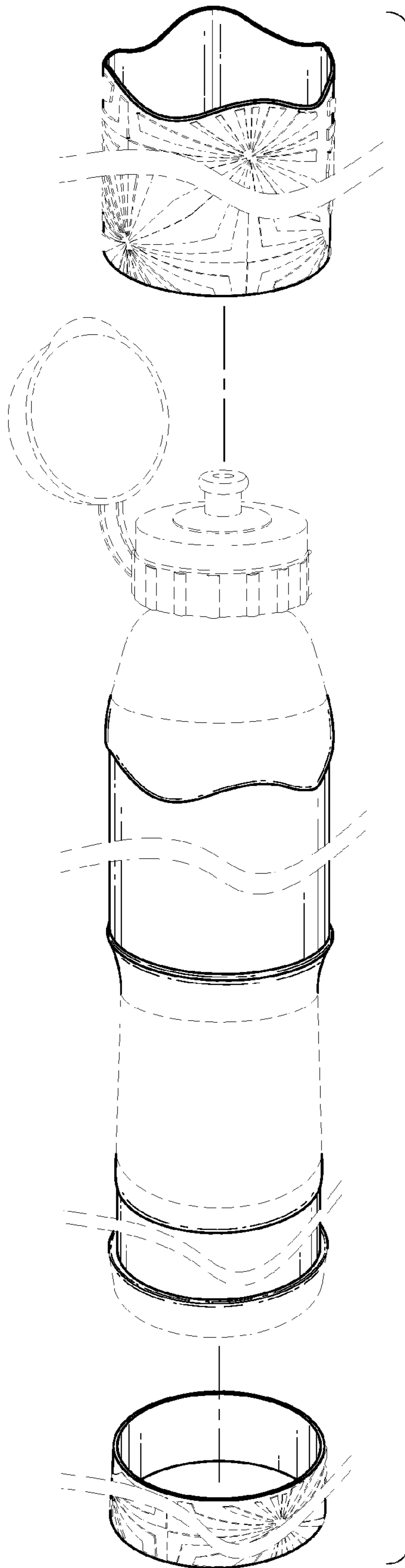


FIG. 9

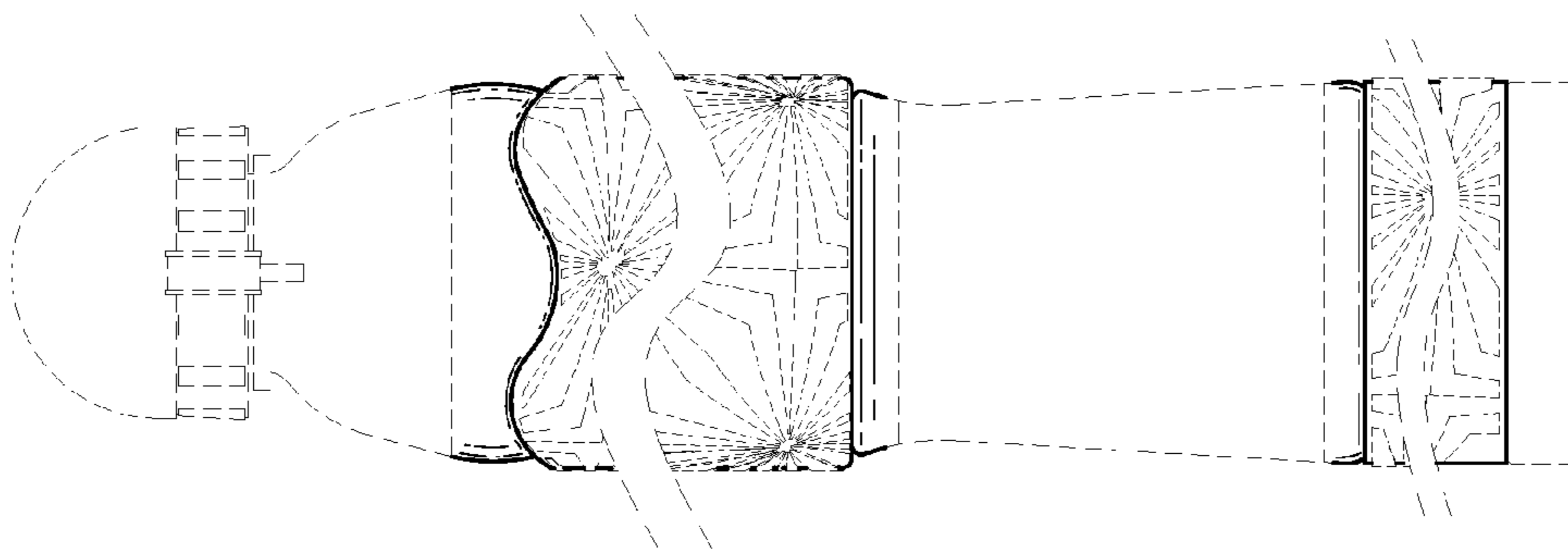


FIG. 10

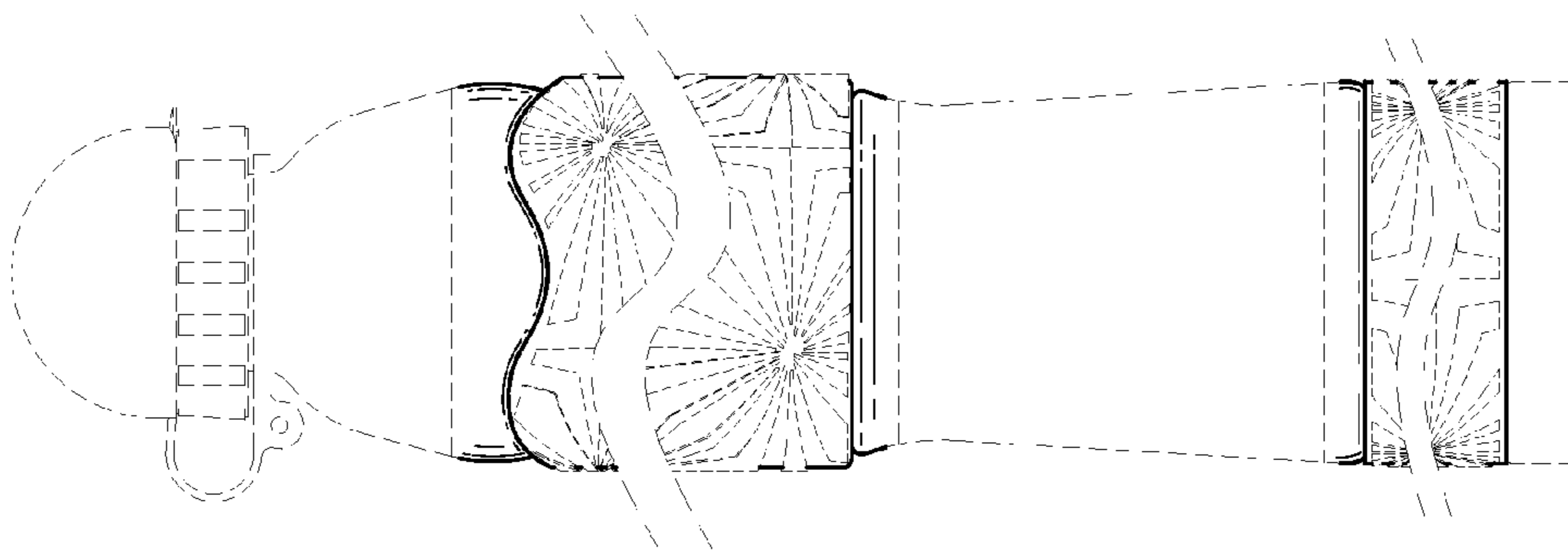


FIG. 11

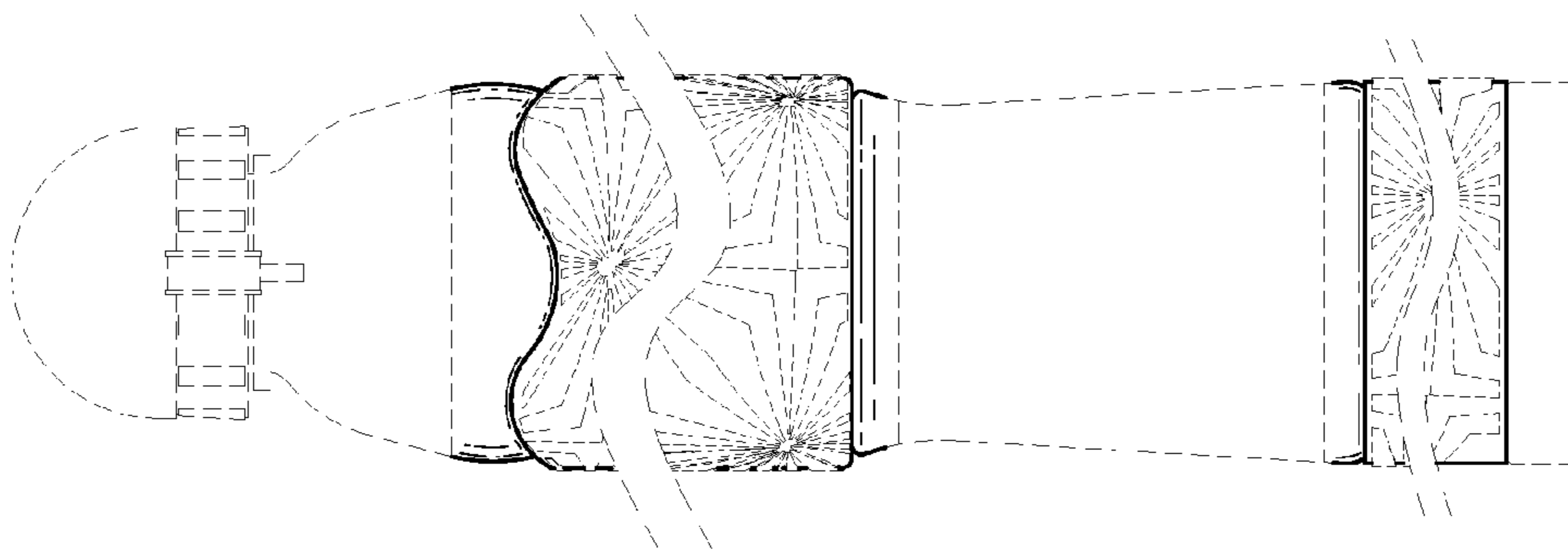


FIG. 12

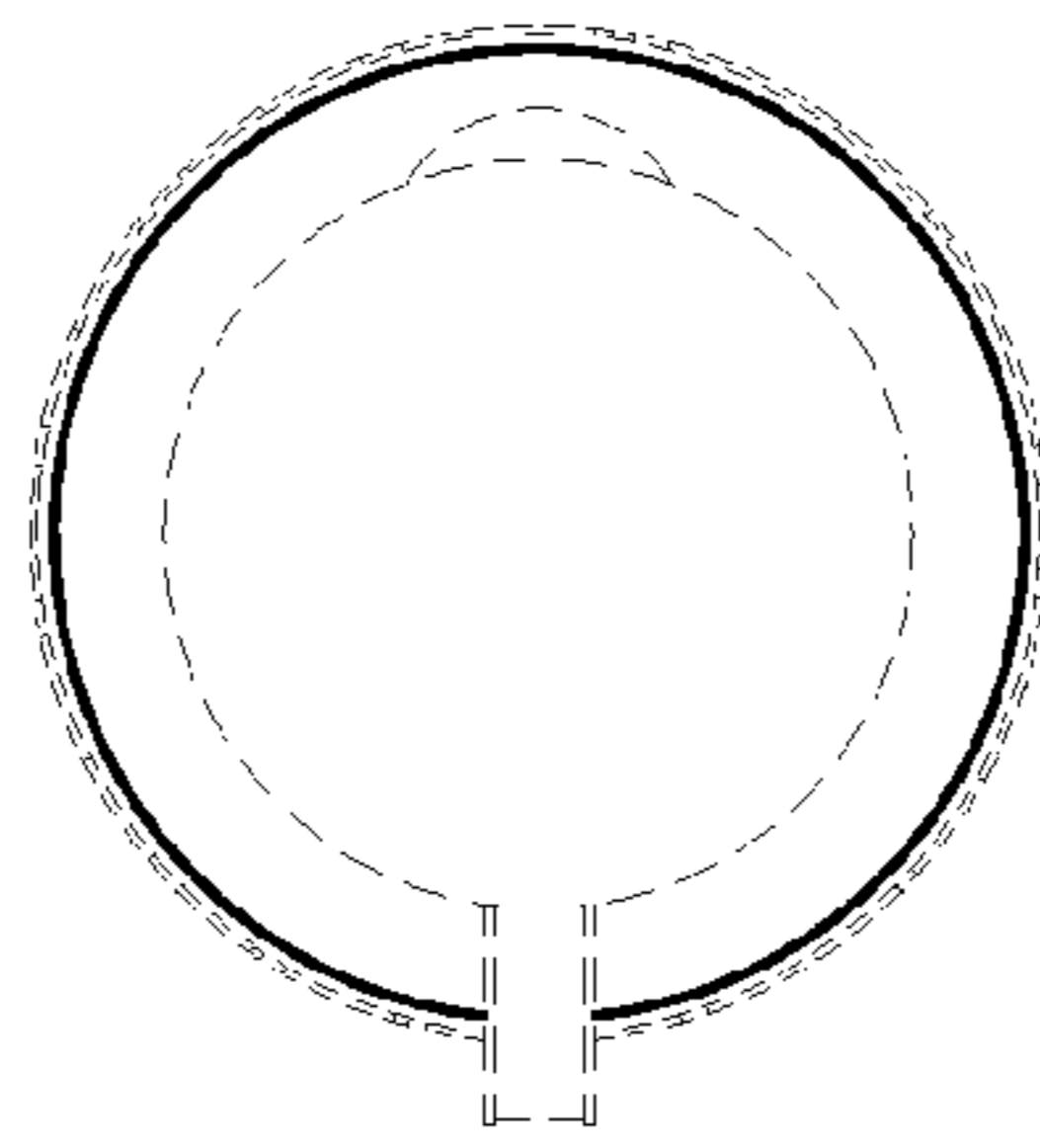


FIG. 13

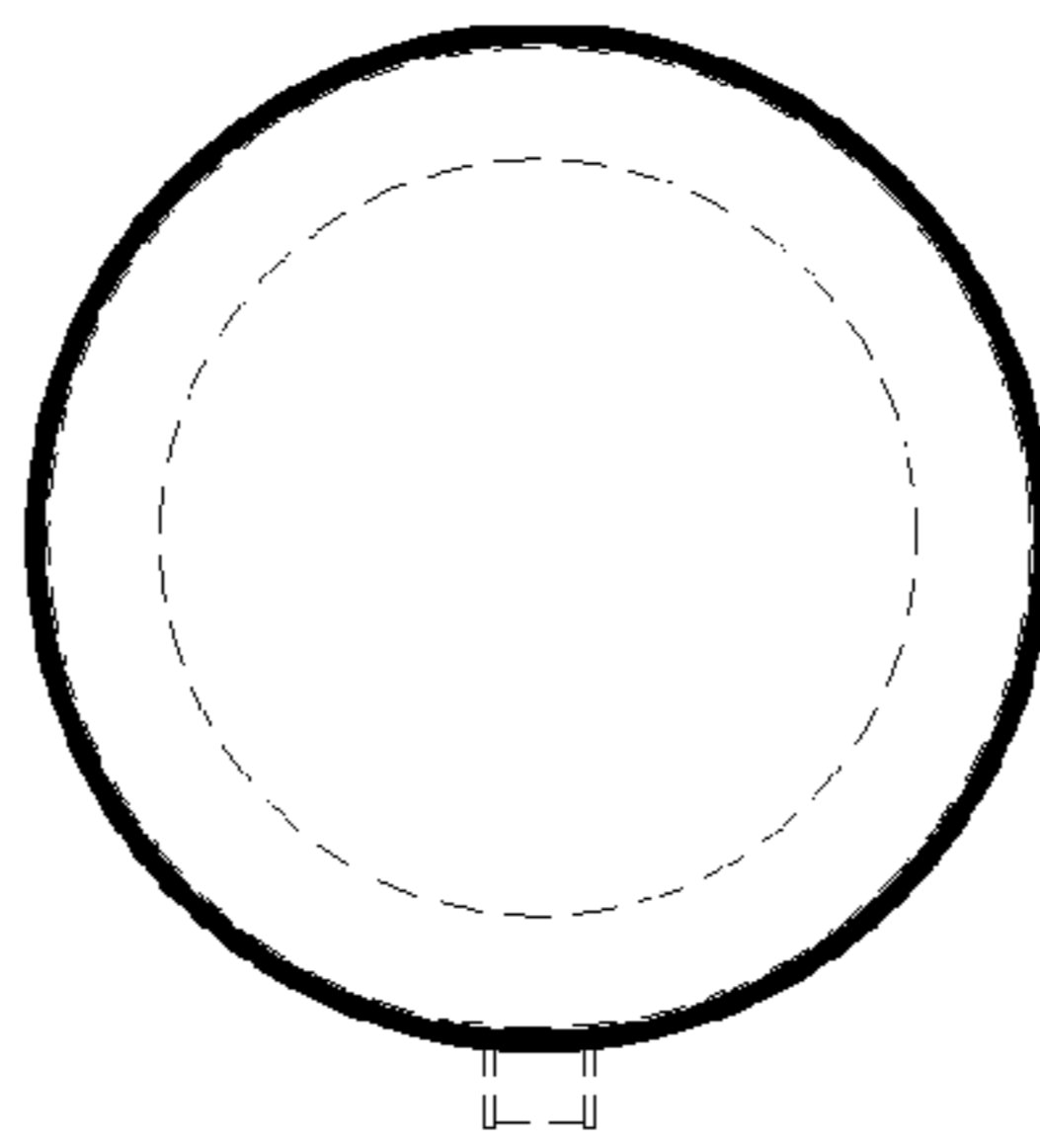


FIG. 14