



US00D645699S

(12) **United States Design Patent**
Hadley

(10) **Patent No.:** **US D645,699 S**

(45) **Date of Patent:** **** Sep. 27, 2011**

- (54) **BOTTLE**
- (75) **Inventor:** **Gary W. Hadley**, San Clemente, CA (US)
- (73) **Assignee:** **I.D. Gear Inc.**, Aliso Viejo, CA (US)
- (**) **Term:** **14 Years**
- (21) **Appl. No.:** **29/340,341**
- (22) **Filed:** **Jul. 16, 2009**
- (51) **LOC (9) Cl.** **07-01**
- (52) **U.S. Cl.** **D7/396.2; D7/510; D7/624.2**
- (58) **Field of Classification Search** D7/396.2, D7/510, 511, 509, 624.2, 392.1, 387, 607, D7/608, 529; D20/11; 220/703, 592.16, 220/592.17; 215/387; D9/716, 719, 776
See application file for complete search history.

- D541,596 S 5/2007 Hicks
- D545,129 S 6/2007 Tien
- D548,012 S 8/2007 Tien
- D549,048 S 8/2007 Duke et al.
- D585,700 S 2/2009 Chu
- D590,211 S 4/2009 Mancha, Jr. et al.
- 7,537,136 B2 5/2009 Hechmati
- D594,088 S 6/2009 Pritchard
- D594,707 S 6/2009 Silverstein et al.
- D594,708 S * 6/2009 Silverstein et al. D7/624.2
- D596,458 S 7/2009 McKinney
- D597,795 S 8/2009 Ford
- D602,735 S 10/2009 Lown et al.
- D611,765 S 3/2010 George
- D611,772 S * 3/2010 Silverstein et al. D7/624.2
- D612,202 S * 3/2010 Hillebrenner D7/396.2
- D612,671 S 3/2010 Sanchez et al.
- D623,474 S 9/2010 Carlson et al.

(Continued)

Primary Examiner — Cynthia Underwood
(74) *Attorney, Agent, or Firm* — Knobbe, Martens, Olson & Bear, LLP

(56) **References Cited**

U.S. PATENT DOCUMENTS

- 1,632,347 A 6/1927 Pipkin
- D346,308 S * 4/1994 Cautereels et al. D7/509
- D353,098 S 12/1994 Beechuk et al.
- D359,654 S 6/1995 Westgerdes
- D373,706 S 9/1996 Gregg
- D391,448 S 3/1998 Winer et al.
- 5,820,016 A 10/1998 Stropkay
- D407,270 S * 3/1999 Wilson D7/529
- D429,968 S 8/2000 Frankel
- D430,456 S * 9/2000 Thuma D7/509
- D433,729 S 11/2000 Poirier et al.
- D434,272 S * 11/2000 Johansen et al. D7/396.6
- 6,182,855 B1 2/2001 Alpert
- D452,949 S 1/2002 Wang
- D496,559 S 9/2004 Bodum
- 6,814,253 B2 11/2004 Wong
- D509,707 S 9/2005 Tien
- D527,267 S * 8/2006 Zboch et al. D9/516
- D527,635 S 9/2006 Zboch et al.
- D529,338 S 10/2006 Poulson et al.
- D536,929 S 2/2007 Kingsley
- D540,125 S * 4/2007 Hicks D7/624.2

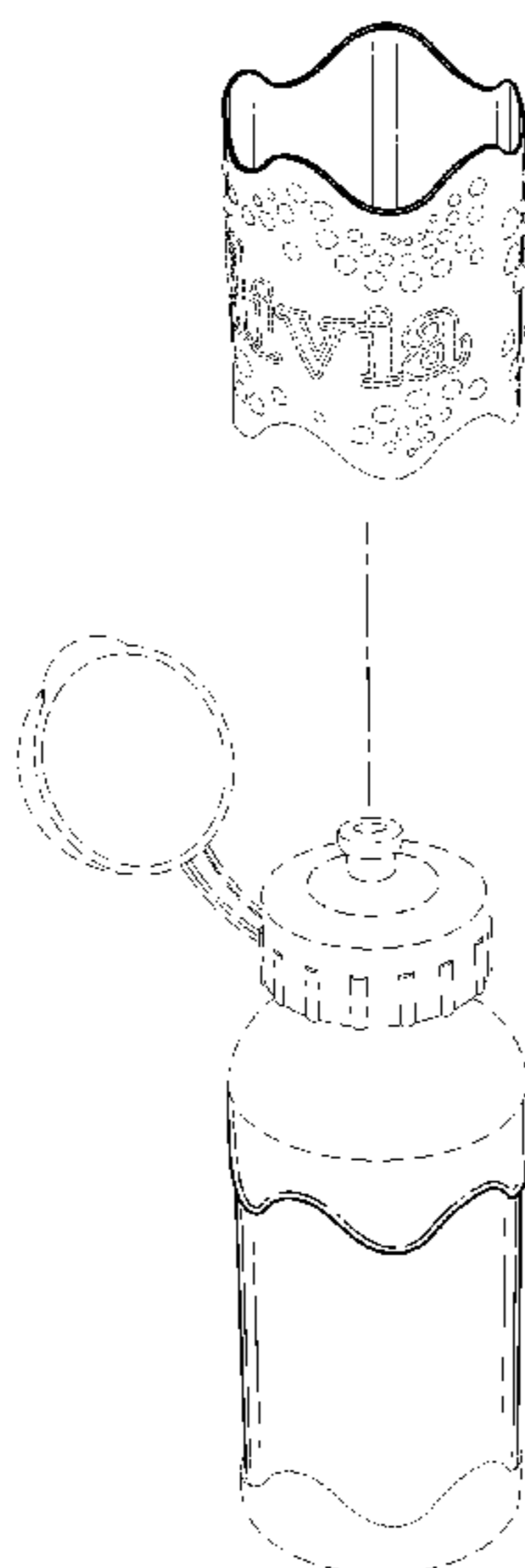
(57) **CLAIM**

The ornamental design for a bottle, as shown and described.

DESCRIPTION

FIG. 1 is a perspective view of a second embodiment of a bottle according to the present design;
 FIG. 2 is an exploded perspective view of the embodiment of FIG. 1;
 FIG. 3 is a front elevational view of the embodiment of FIG. 1;
 FIG. 4 is a left-side elevational view of the embodiment of FIG. 1;
 FIG. 5 is a right-side elevational view of the embodiment of FIG. 1;
 FIG. 6 is a top-plan view of the embodiment of FIG. 1; and,
 FIG. 7 is a bottom-plan view of the embodiment of FIG. 1.
 The broken lines are included for illustrative purposes and form no part of the claimed design.

1 Claim, 4 Drawing Sheets



US D645,699 S

Page 2

U.S. PATENT DOCUMENTS

D623,476 S *	9/2010	Carlson et al.	D7/510	2004/0128877 A1	7/2004	Luedde
D624,362 S *	9/2010	Wahl	D7/510	2008/0078824 A1	4/2008	Spiegel et al.
D634,159 S *	3/2011	Bodum	D7/509	2009/0050641 A1	2/2009	Ivey
D635,397 S *	4/2011	Hollis et al.	D7/396.2	2009/0057257 A1	3/2009	Marcus et al.

* cited by examiner

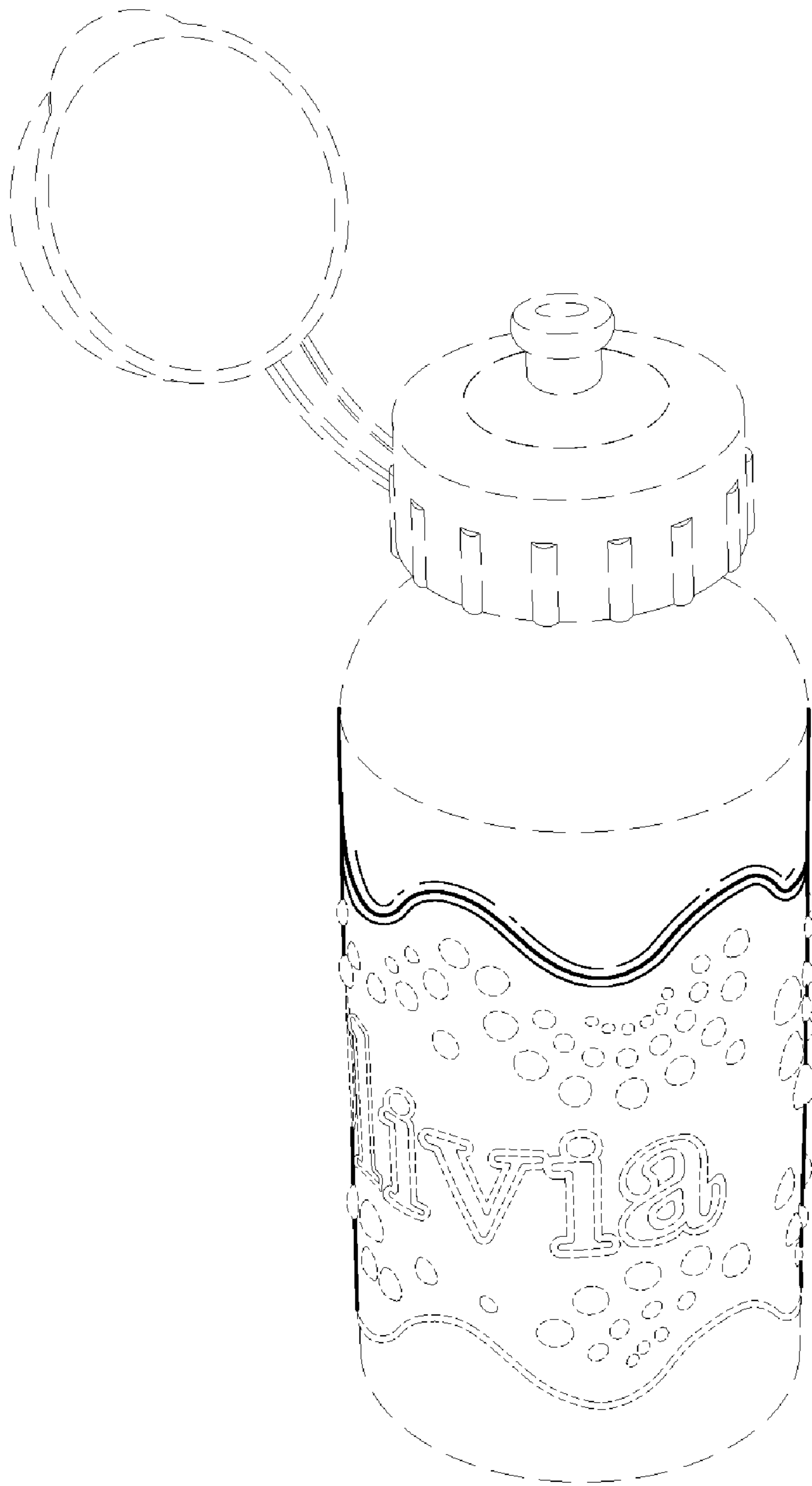


FIG. 1

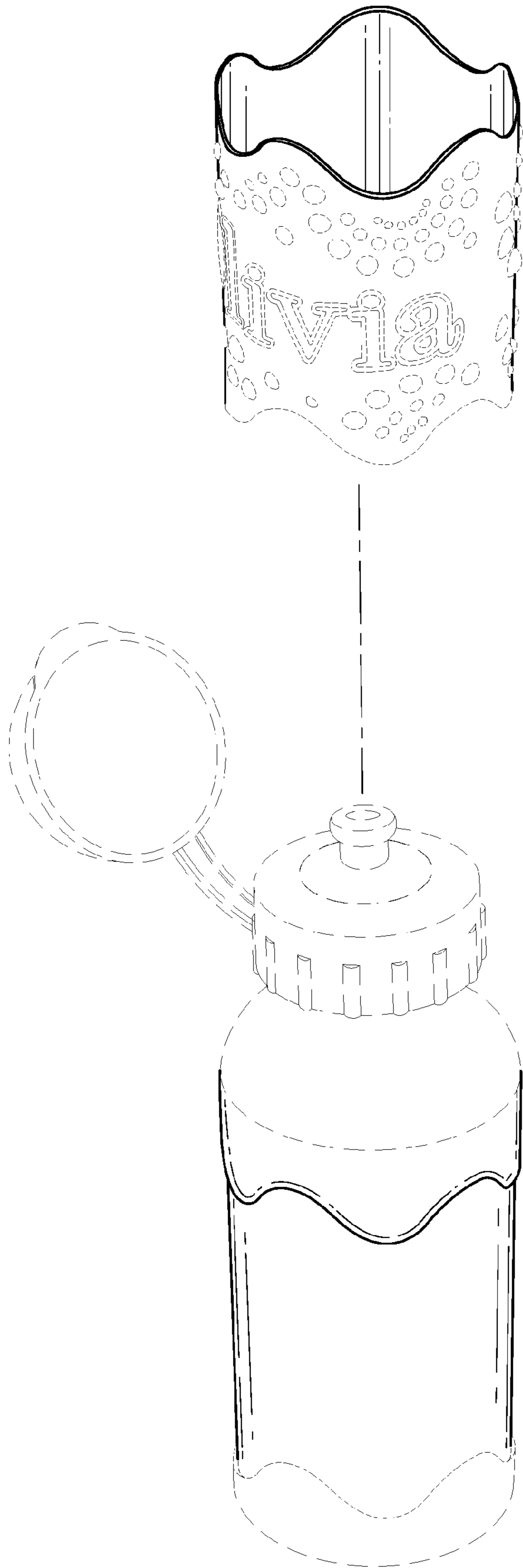


FIG. 2

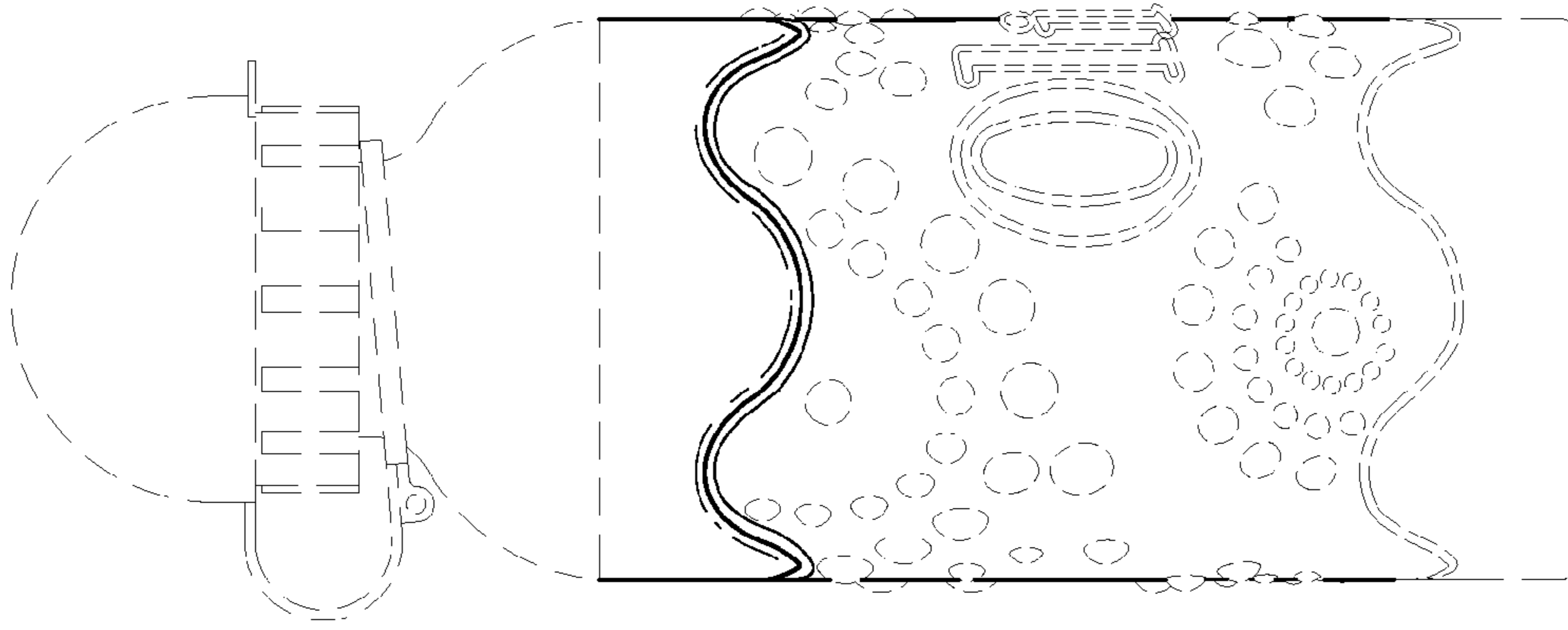


FIG. 3

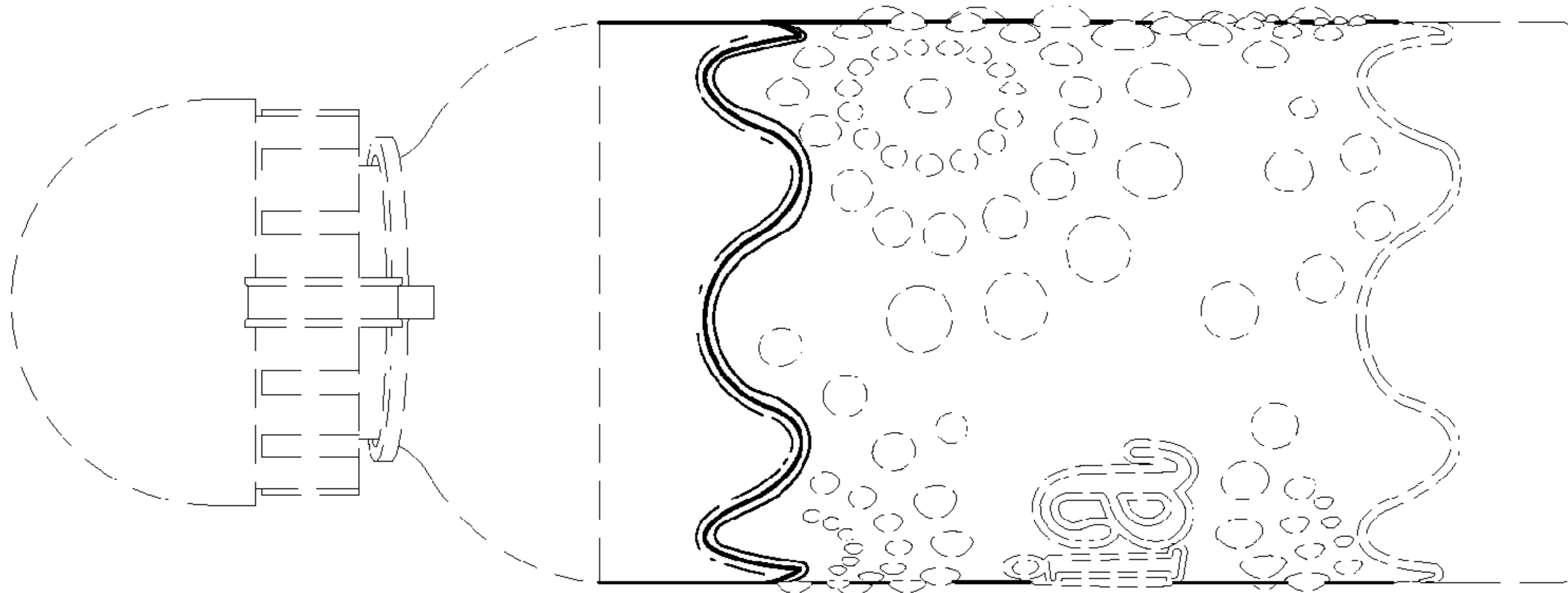


FIG. 4

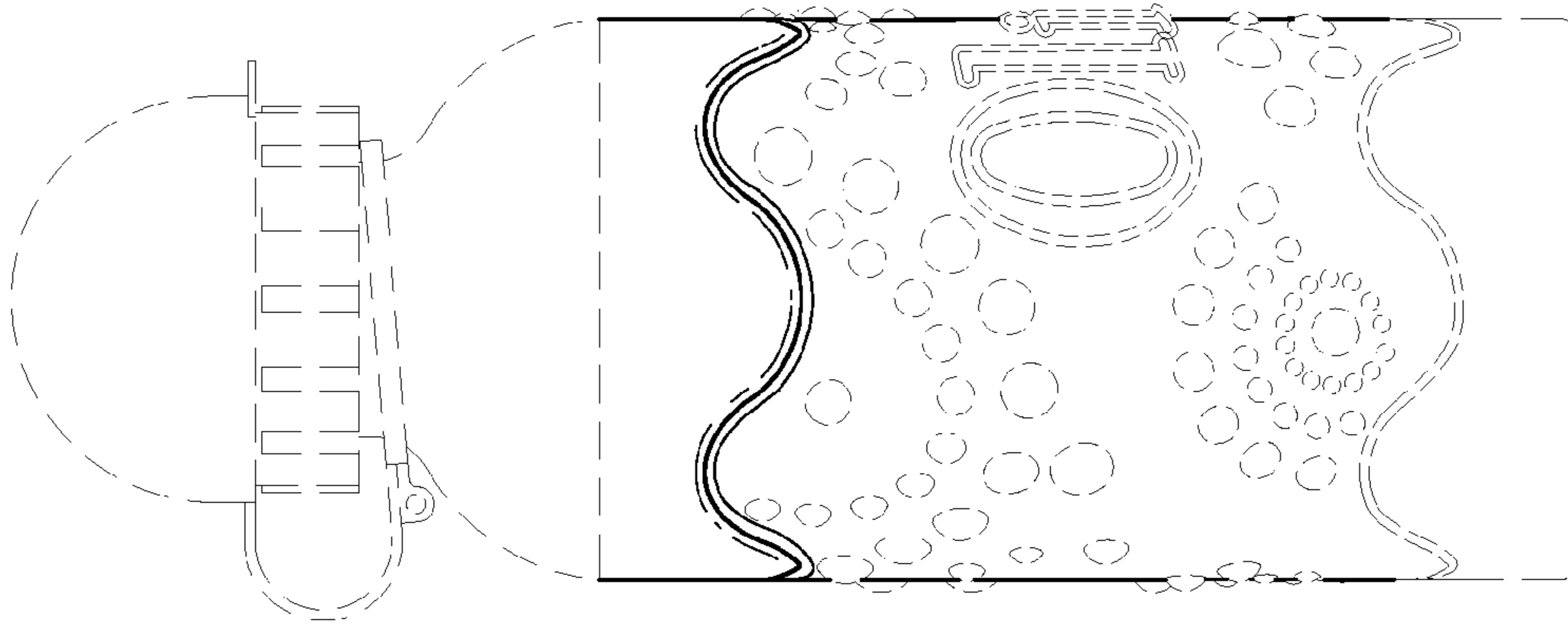


FIG. 5

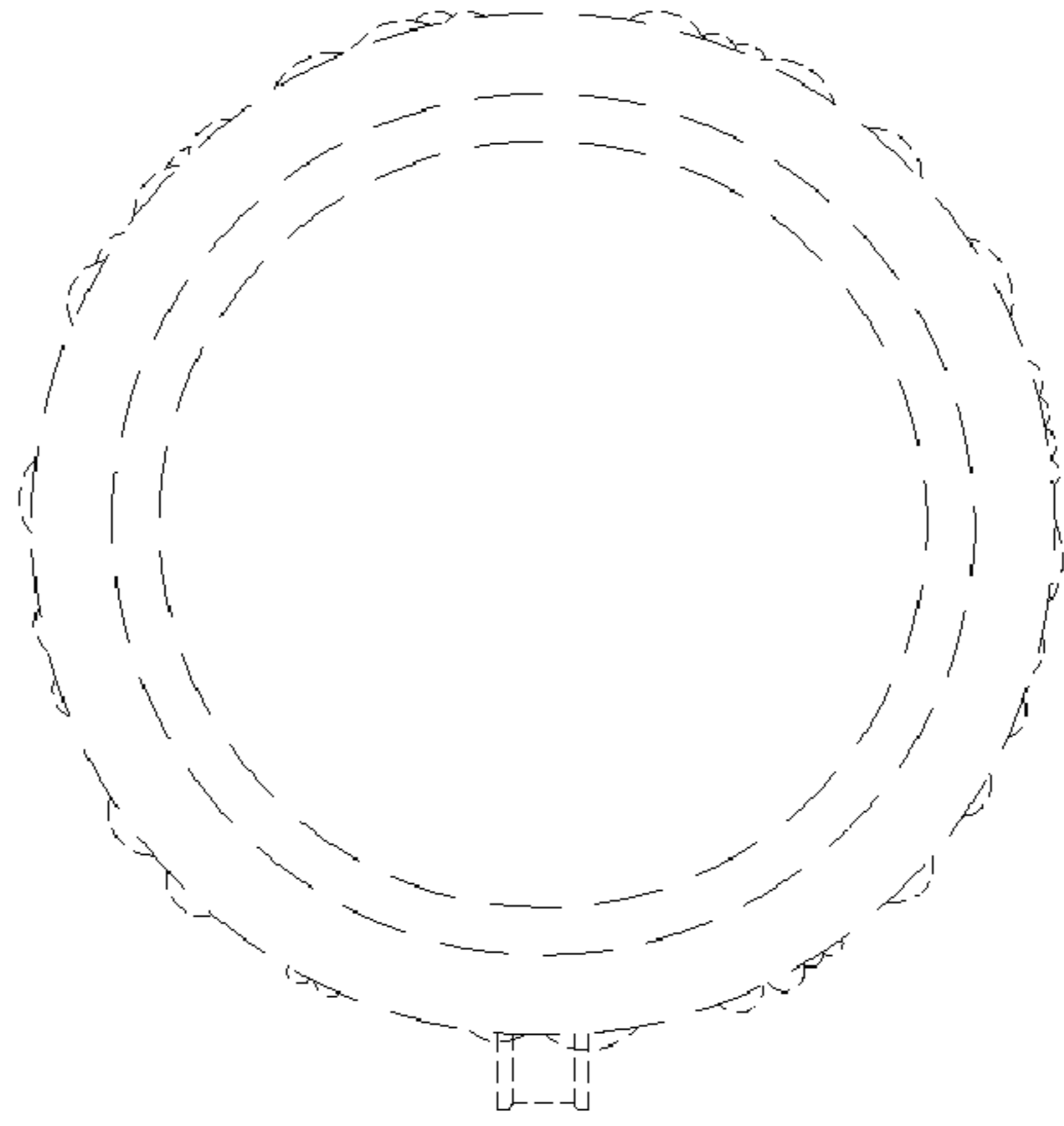


FIG. 7

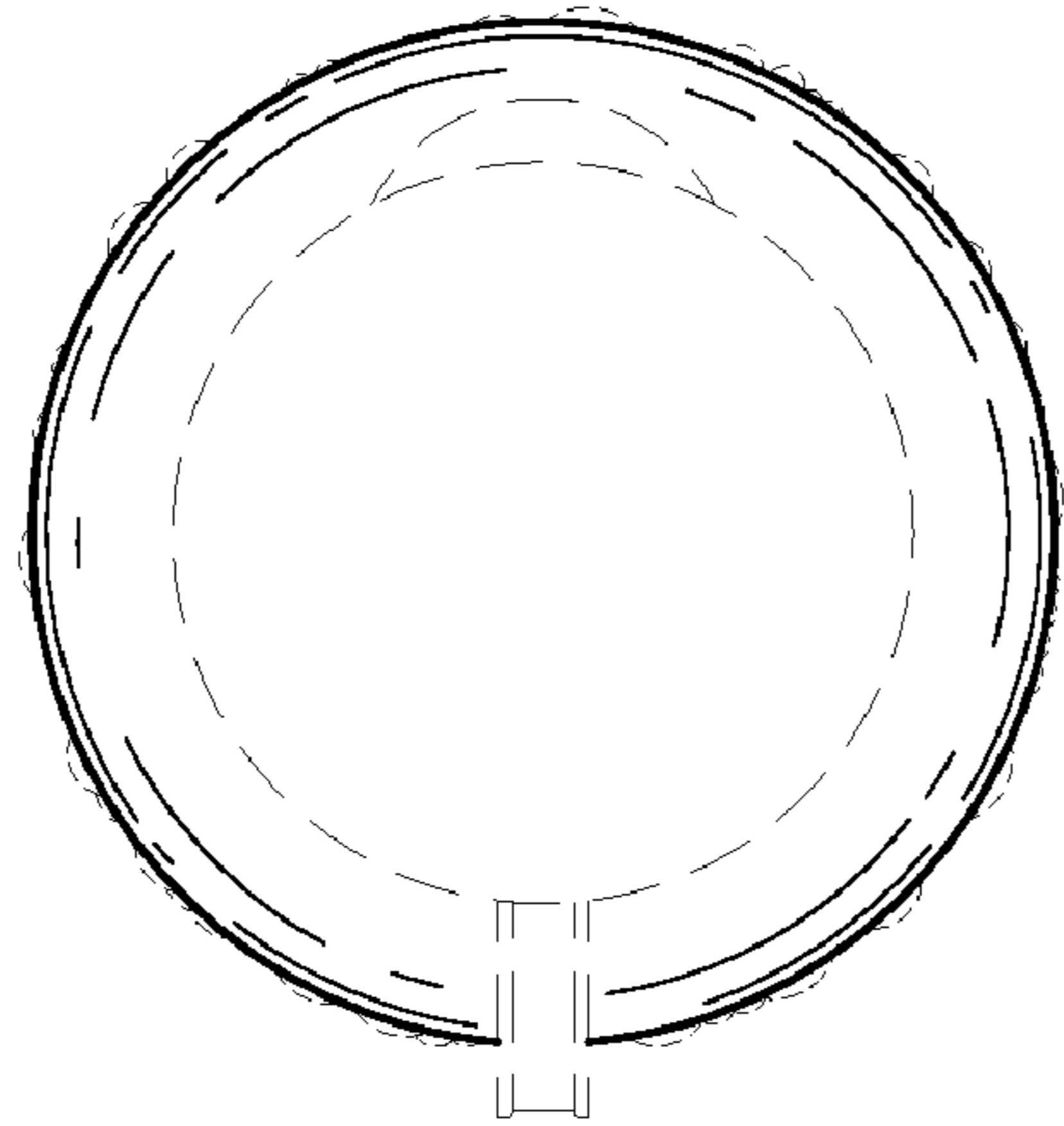


FIG. 6