



US00D645697S

(12) **United States Design Patent**
Hawker et al.

(10) **Patent No.:** **US D645,697 S**

(45) **Date of Patent:** **** Sep. 27, 2011**

(54) **PEELER**

(75) Inventors: **Christopher L. Hawker**, Columbus, OH (US); **Jessica A. Moreland**, Columbus, OH (US)

(73) Assignee: **Lee Yuen Housewares Co. Ltd.**, Kowloon (HK)

(**) Term: **14 Years**

(21) Appl. No.: **29/385,459**

(22) Filed: **Feb. 14, 2011**

(51) **LOC (9) Cl.** **31-00**

(52) **U.S. Cl.** **D7/381; D7/695**

(58) **Field of Classification Search** D7/693-695, D7/381; 30/120.1, 123.5, 123.6, 123.7, 280, 30/304, 294, 279.6

See application file for complete search history.

(56) **References Cited**

U.S. PATENT DOCUMENTS

4,073,056	A *	2/1978	Schaeffer et al.	30/123.5
4,128,939	A *	12/1978	Schaeffer	30/123
D254,048	S *	1/1980	Hauenstein	D7/372
4,211,002	A *	7/1980	Kirk	30/123.3
4,348,807	A *	9/1982	Ashdown et al.	30/123.6
4,776,092	A *	10/1988	Moore et al.	30/123.5

4,920,645	A *	5/1990	Baudouin	30/162
D337,916	S *	8/1993	Kwong	D7/381
D344,429	S *	2/1994	Conroy	D7/381
6,671,964	B2 *	1/2004	Ruiz	30/123.6
D488,683	S *	4/2004	Overthun et al.	D7/695
D507,930	S *	8/2005	Kimbrough	D7/381
D509,712	S *	9/2005	Lee	D7/695
2003/0070298	A1 *	4/2003	Ruiz	30/123.5

* cited by examiner

Primary Examiner — Terry Wallace

(74) *Attorney, Agent, or Firm* — Intellectual Property Law Group LLP; Juneko Jackson

(57) **CLAIM**

The ornamental design for a peeler, as shown and described.

DESCRIPTION

FIG. 1 is a perspective view of a peeler, embodying our new design;

FIG. 2 is a front view thereof;

FIG. 3 is a rear view thereof;

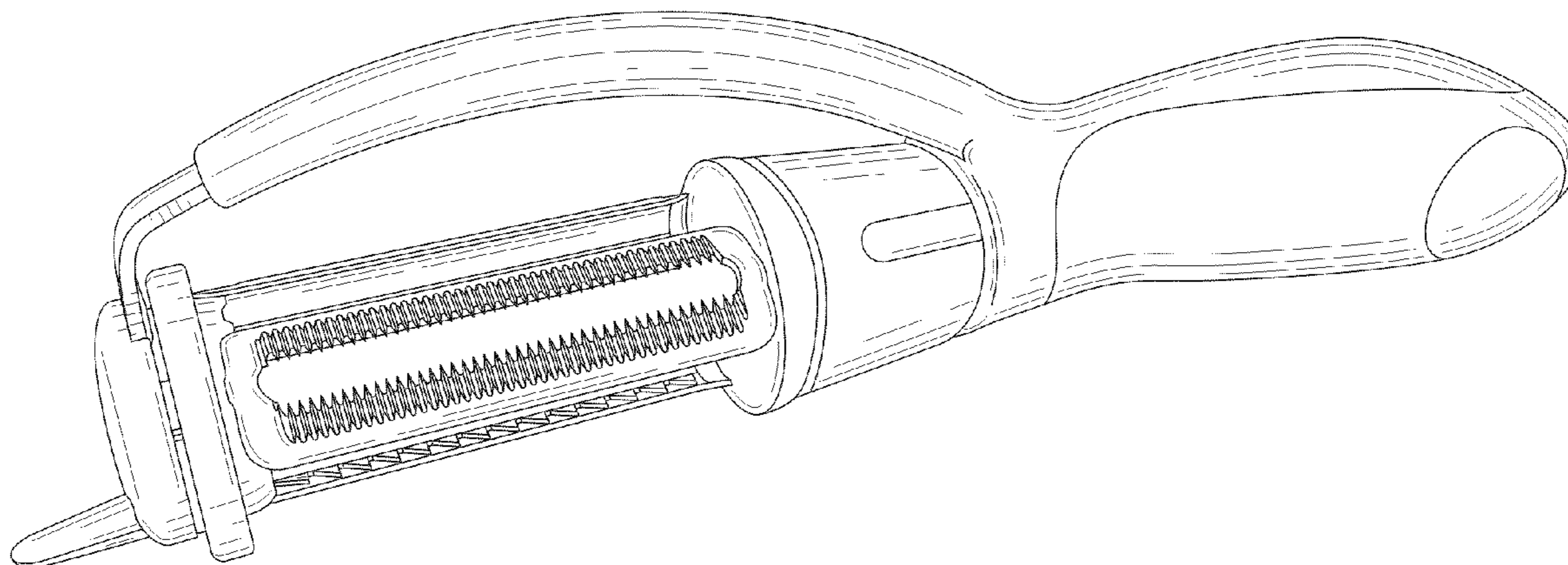
FIG. 4 is a right side view thereof;

FIG. 5 is a left side view thereof;

FIG. 6 is a top plan view thereof; and,

FIG. 7 is a bottom plan view thereof.

1 Claim, 3 Drawing Sheets



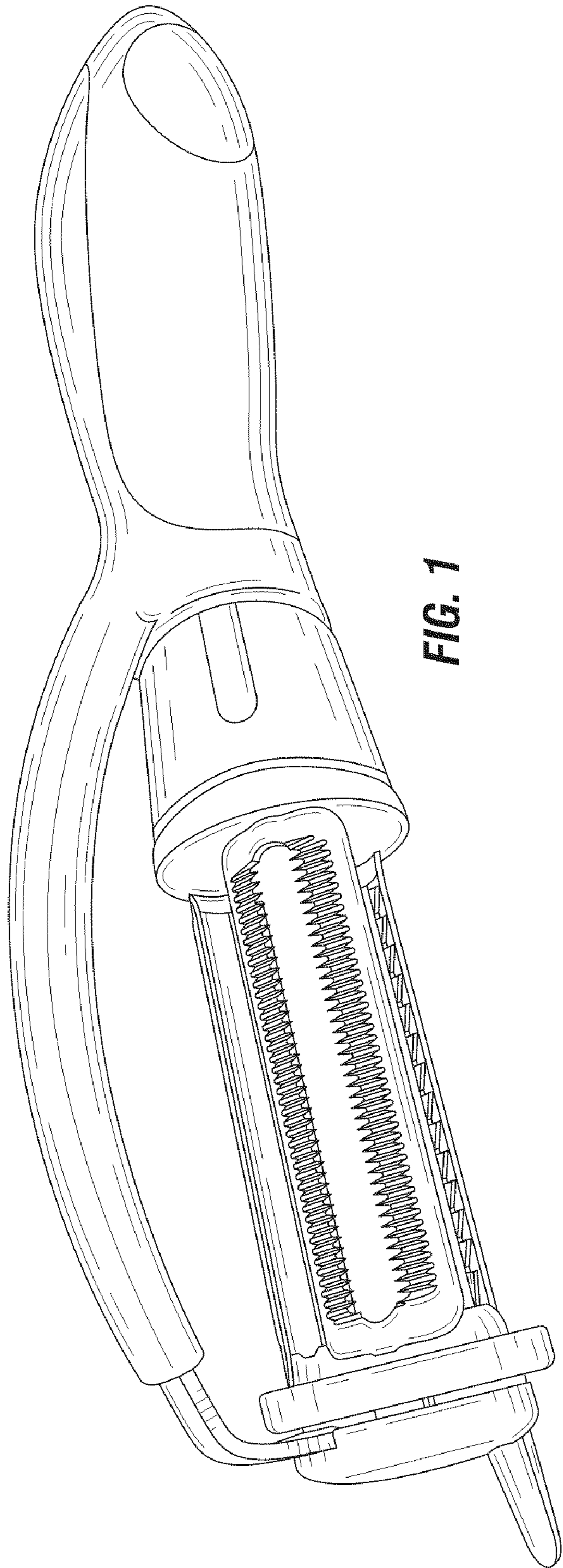


FIG. 1

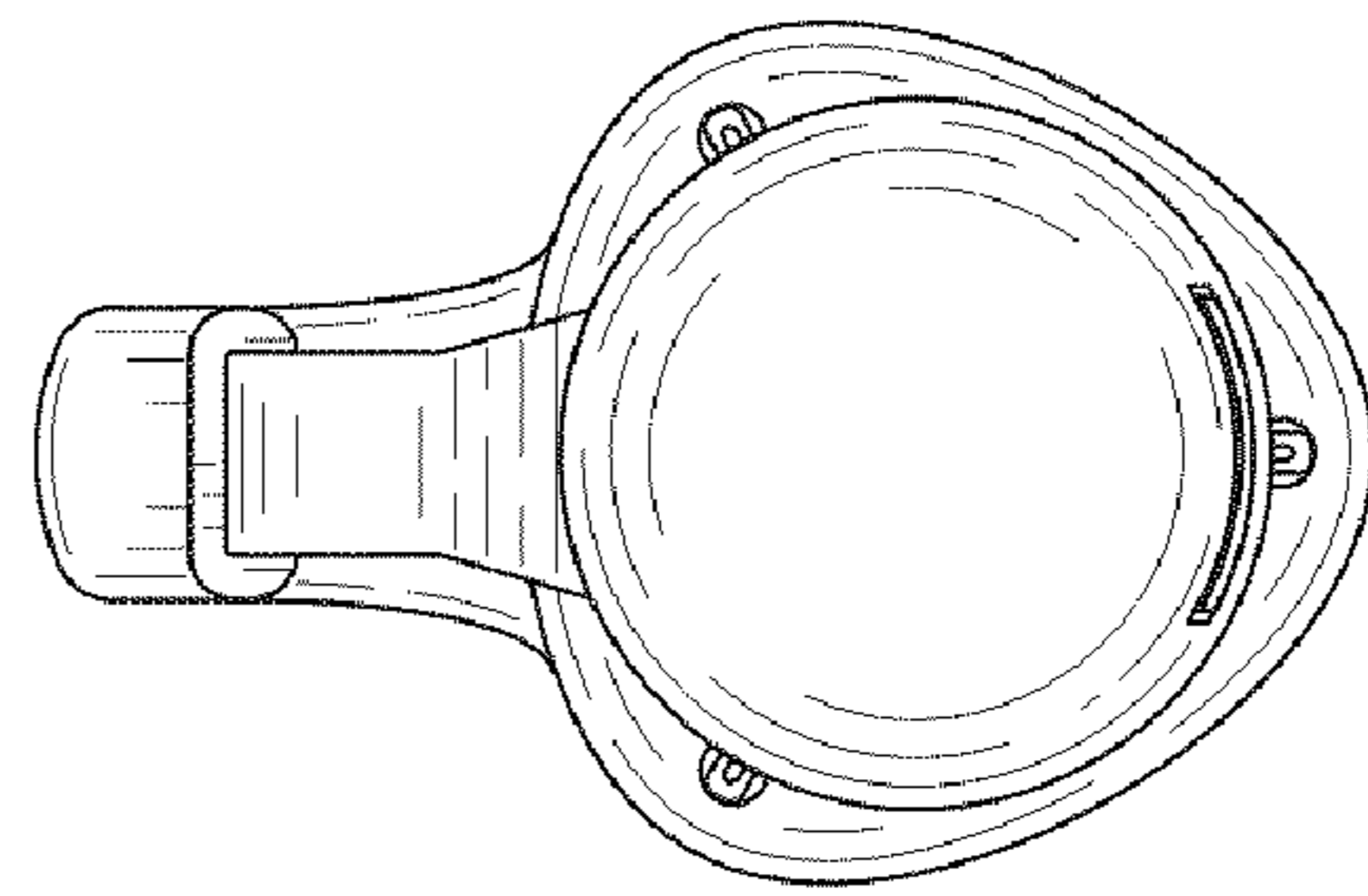


FIG. 2

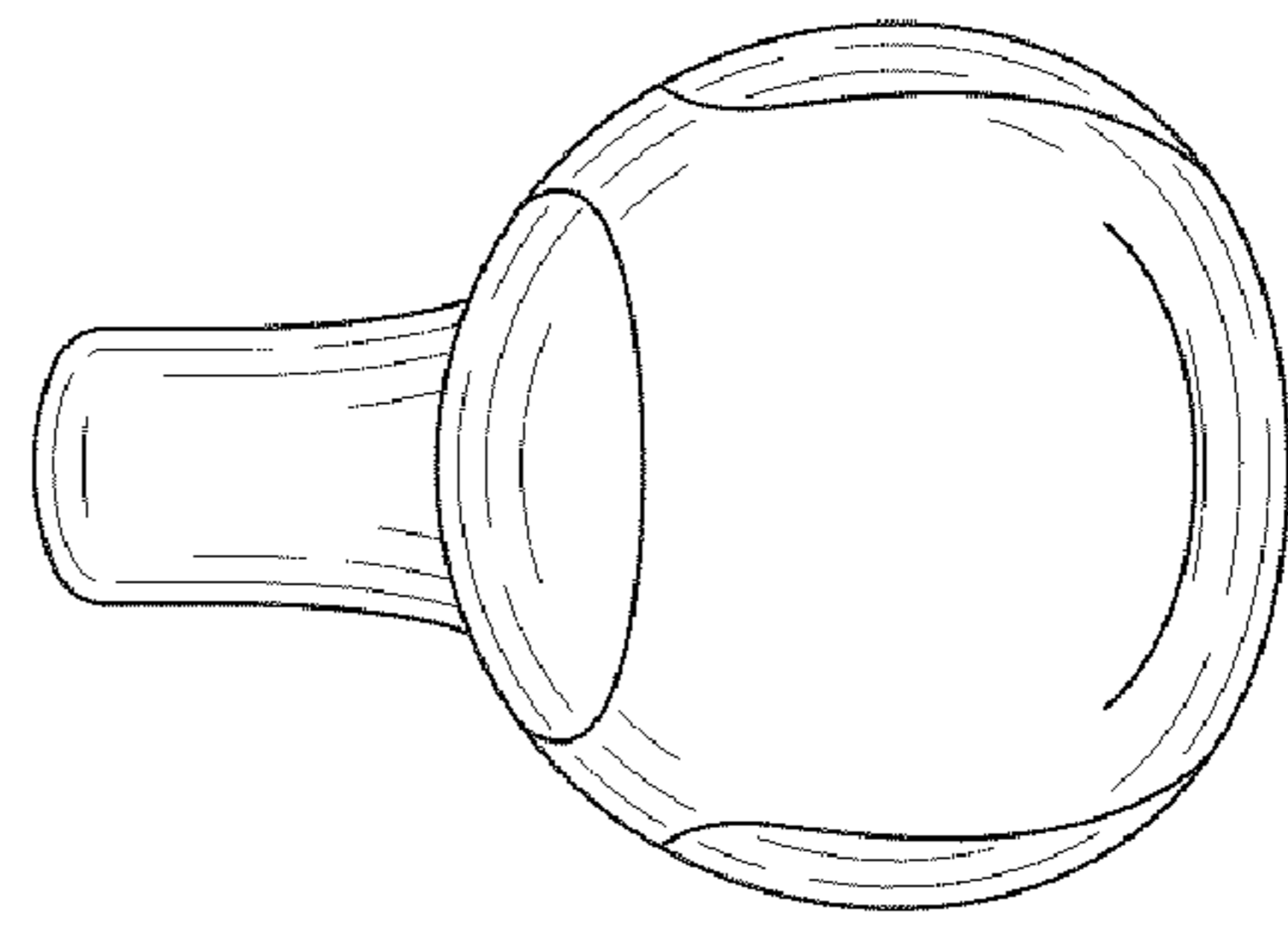


FIG. 3

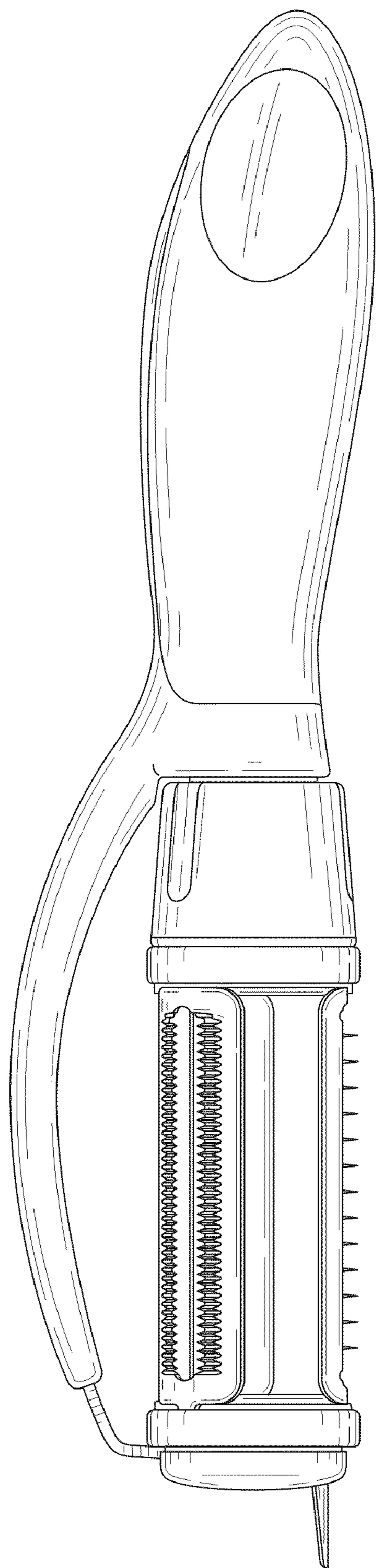


FIG. 4

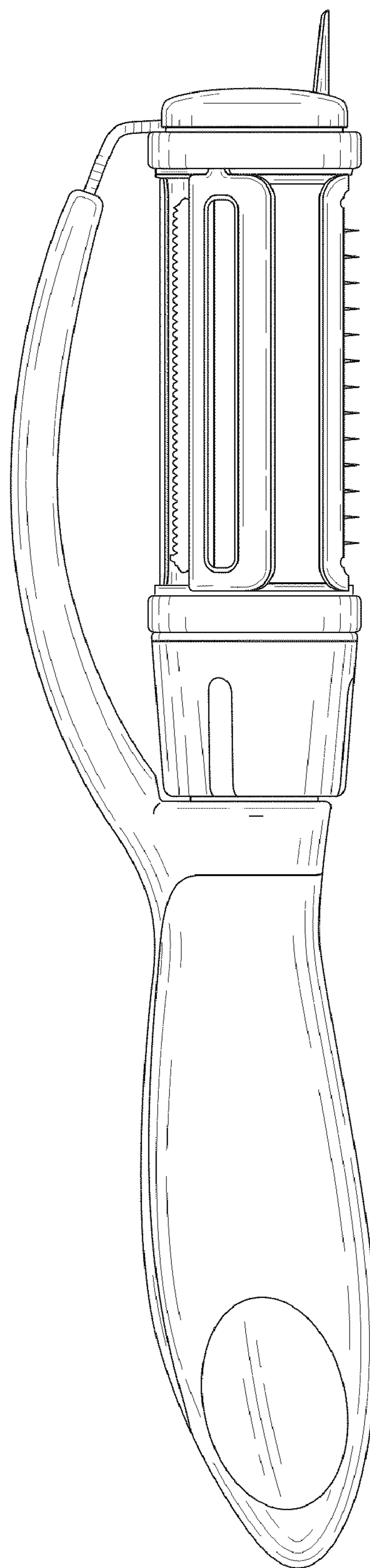


FIG. 5

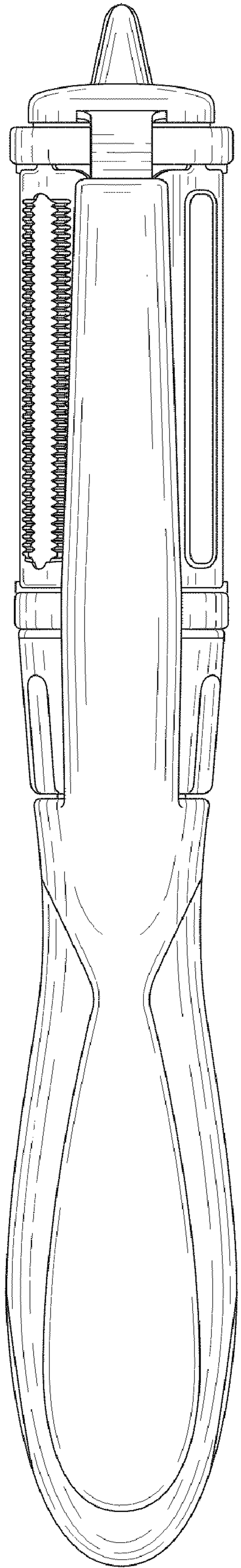


FIG. 6

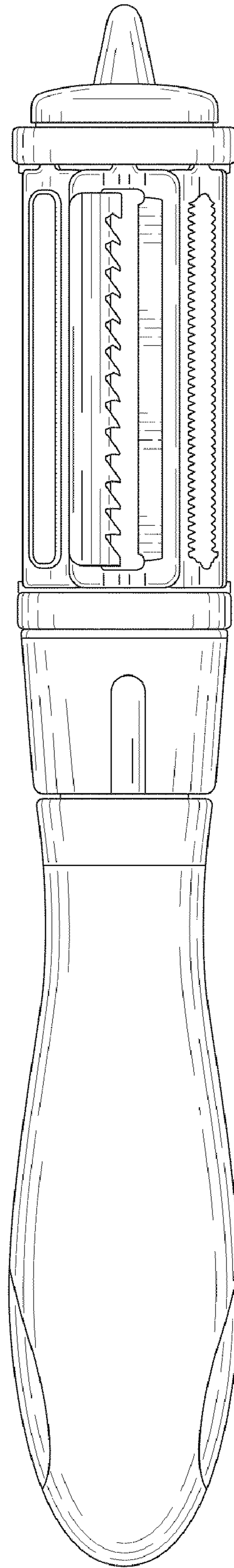


FIG. 7