



US00D645695S

(12) **United States Design Patent**  
**Zoppellari**

(10) **Patent No.:** **US D645,695 S**

(45) **Date of Patent:** **\*\* Sep. 27, 2011**

(54) **COFFEE MAKER**

(75) Inventor: **Tiziano Zoppellari**, Vittorio Veneto (IT)

(73) Assignee: **Koninklijke Philips Electronics N.V.**,  
Eindhoven (NL)

(\*\*) Term: **14 Years**

(21) Appl. No.: **29/366,728**

(22) Filed: **Jul. 29, 2010**

(51) **LOC (9) Cl.** ..... **07-01**

(52) **U.S. Cl.** ..... **D7/309; D7/311**

(58) **Field of Classification Search** ..... D7/300,  
D7/309-311, 306, 307; 99/286, 287, 289 R  
See application file for complete search history.

(56) **References Cited**

**U.S. PATENT DOCUMENTS**

D481,580 S *	11/2003	Daniels et al. ....	D7/309
D486,345 S *	2/2004	Schwamkrug ....	D7/309
D523,279 S *	6/2006	Zemp ....	D7/307
D563,143 S *	3/2008	Tonelli et al. ....	D7/306
7,357,071 B2 *	4/2008	Geroult et al. ....	99/285
D581,716 S *	12/2008	Harris, III ....	D7/307

D584,096 S *	1/2009	Lutz .....	D7/307
D586,603 S *	2/2009	Borin .....	D7/309
D586,604 S *	2/2009	Buttler .....	D7/309
D587,511 S *	3/2009	Buttler .....	D7/309
D592,901 S *	5/2009	Speh .....	D7/309
D595,991 S *	7/2009	Zimmerman .....	D7/307
D610,389 S *	2/2010	Borin et al. ....	D7/309
D611,289 S *	3/2010	de Visser .....	D7/309
D622,534 S *	8/2010	Zimmermann .....	D7/307
D623,461 S *	9/2010	Ashbridge .....	D7/306
D623,462 S *	9/2010	Ashbridge .....	D7/306
D630,880 S *	1/2011	Zimmermann .....	D7/309

\* cited by examiner

*Primary Examiner* — Marianne Pandozzi

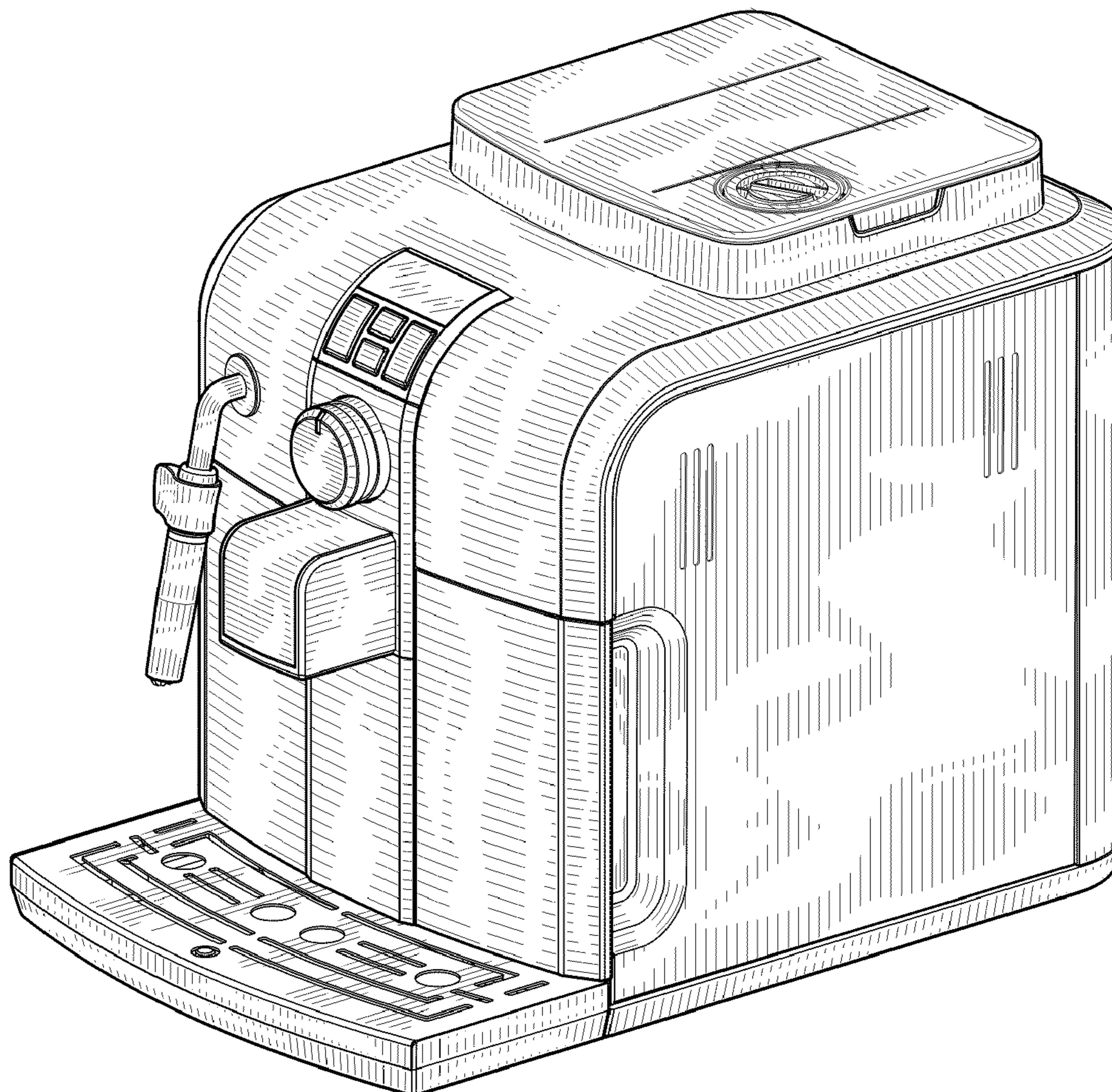
(57) **CLAIM**

The ornamental design for a coffee maker, as shown.

**DESCRIPTION**

FIG. 1 is a perspective view showing my design;  
FIG. 2 is a front elevational view thereof;  
FIG. 3 is a rear elevational view thereof;  
FIG. 4 is a right side elevational view thereof;  
FIG. 5 is a left side elevational view thereof;  
FIG. 6 is a top plan view thereof; and,  
FIG. 7 is a bottom plan view thereof.

**1 Claim, 5 Drawing Sheets**



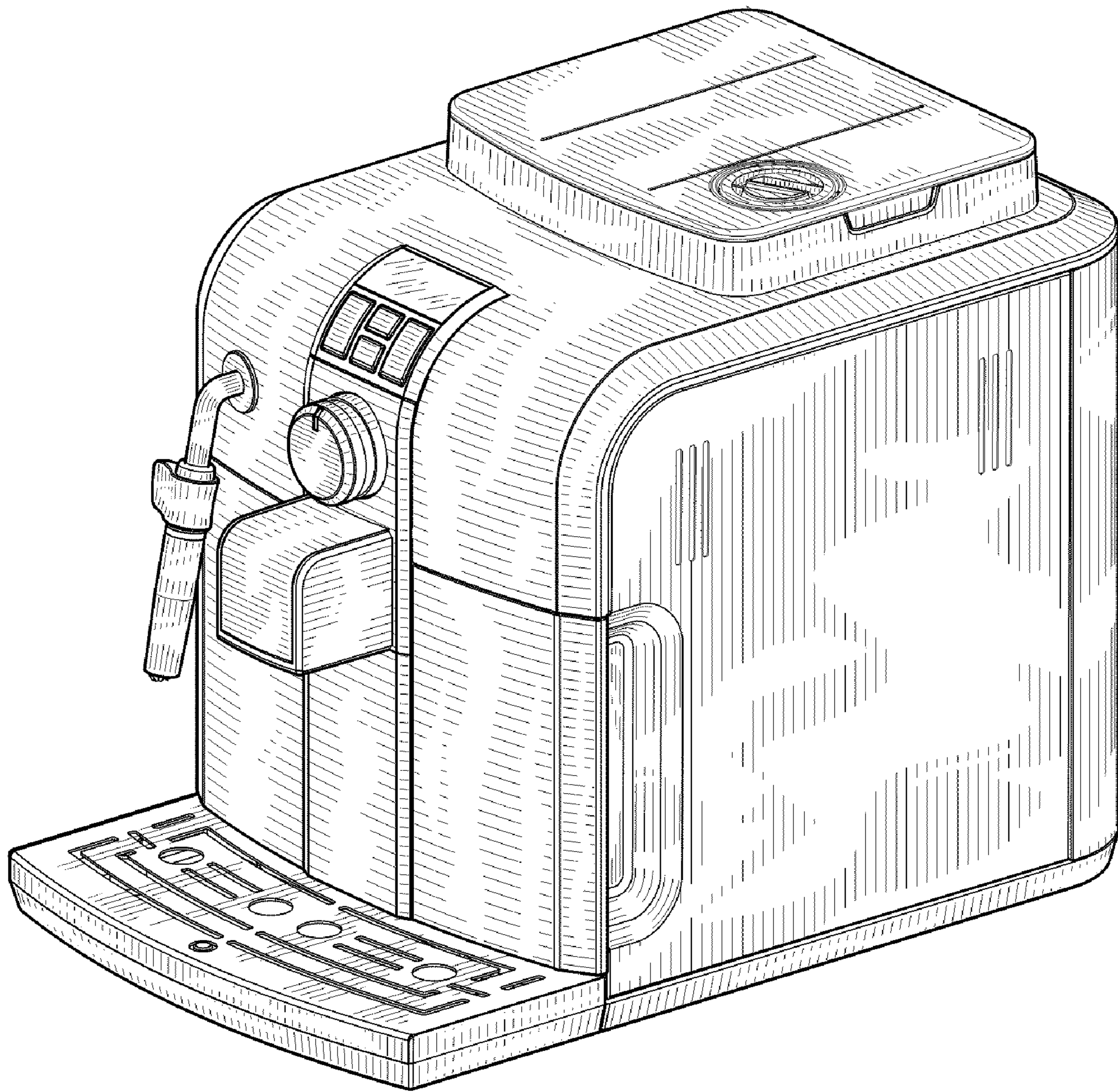


FIG. 1

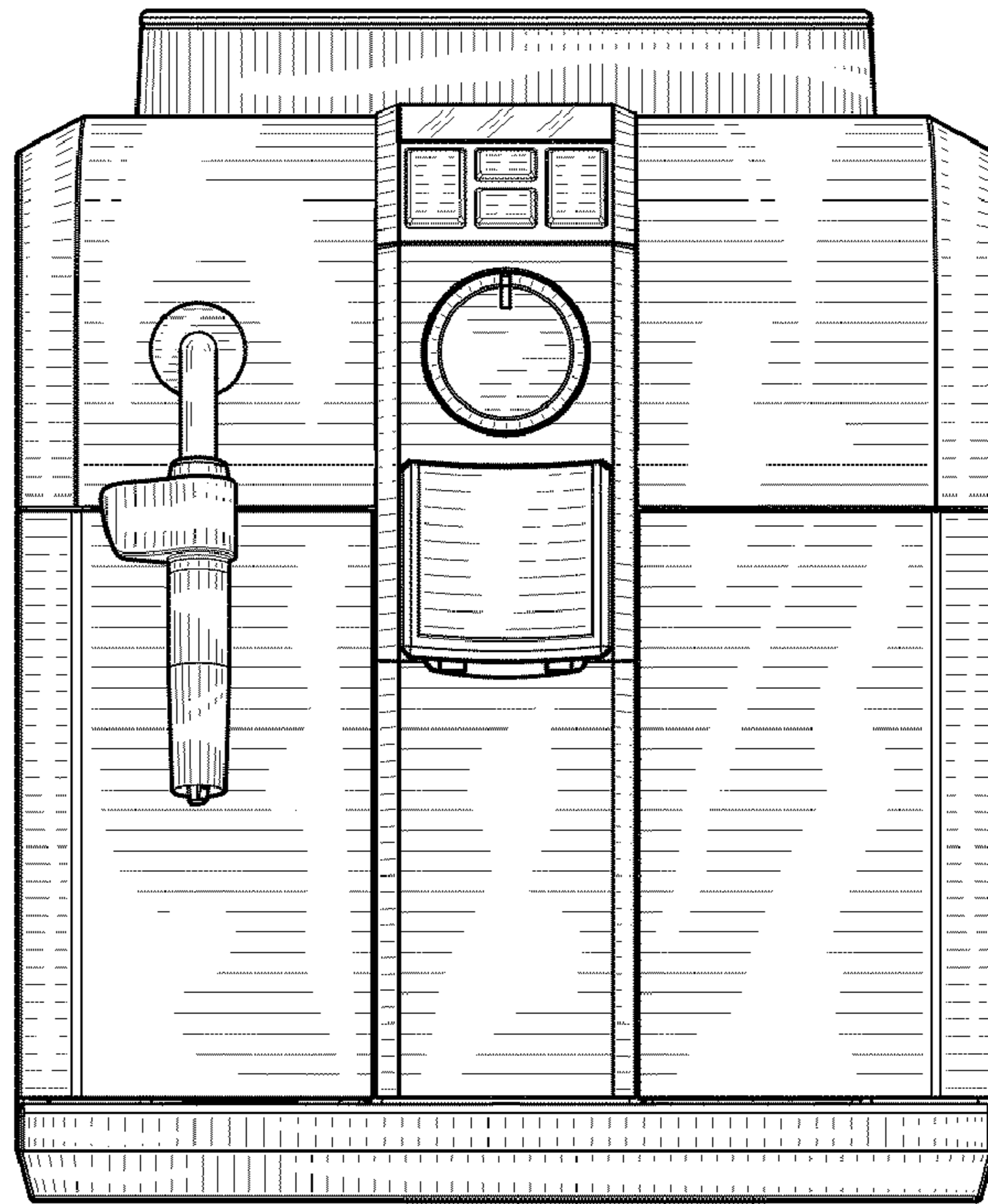


FIG. 2

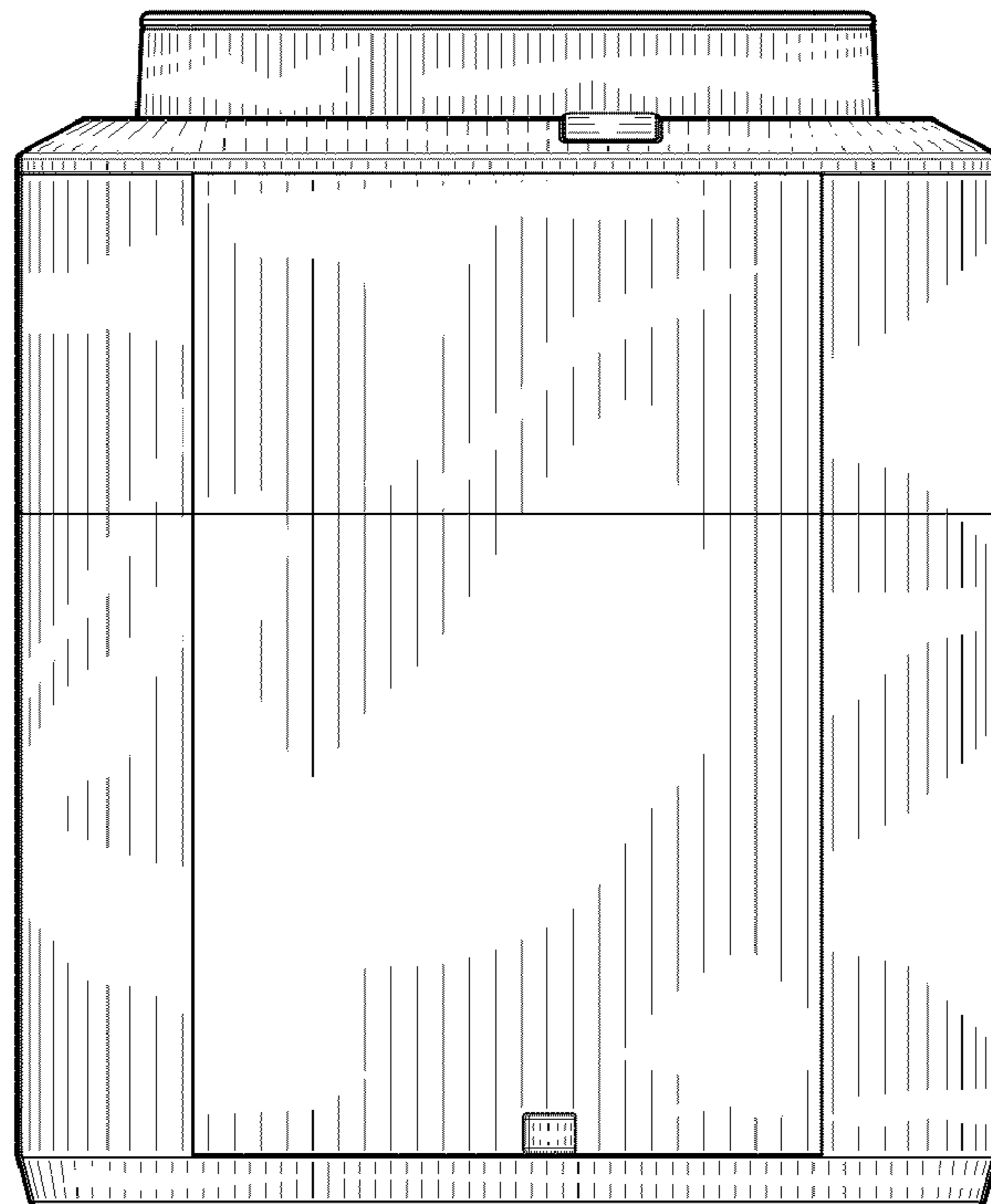


FIG. 3

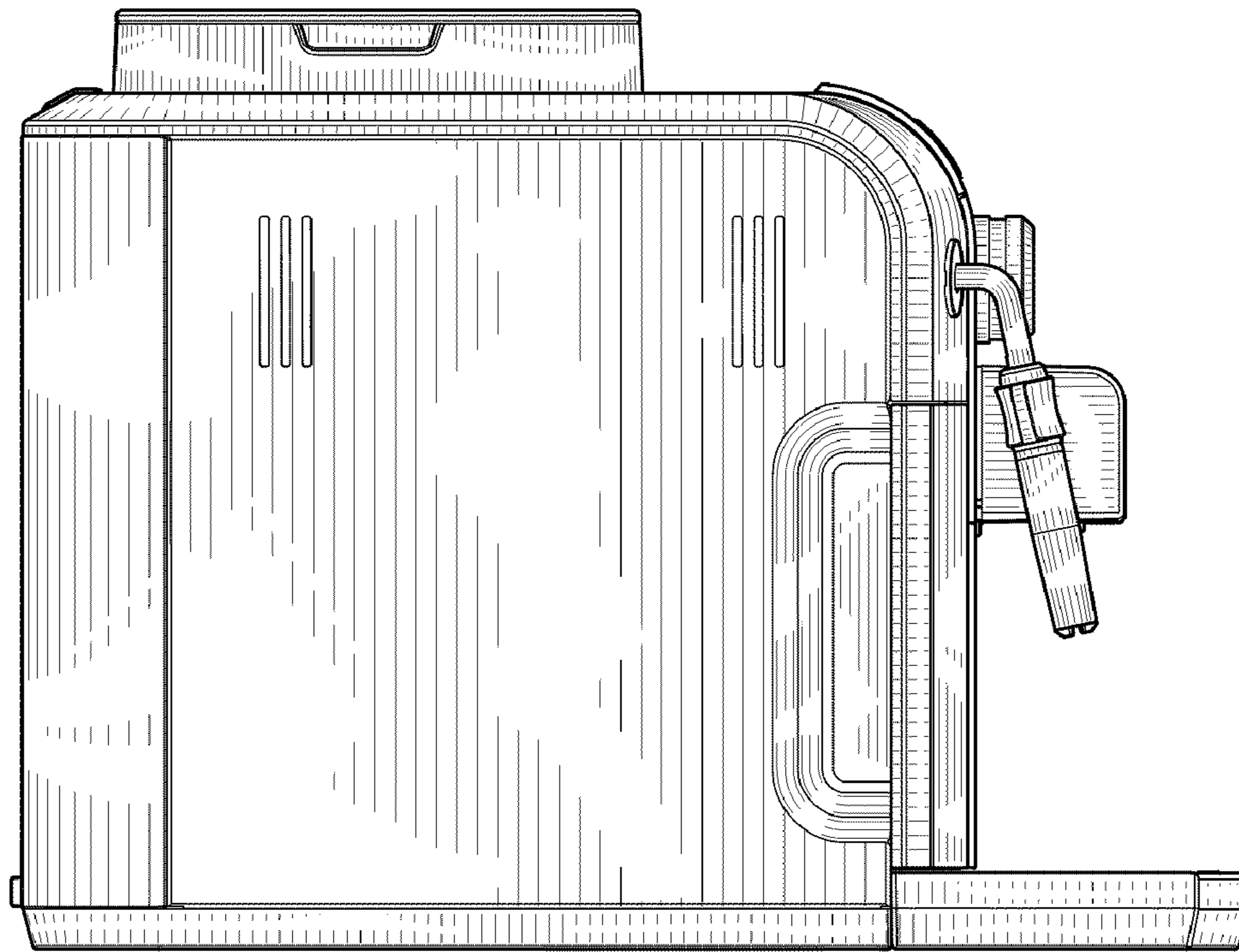


FIG. 4

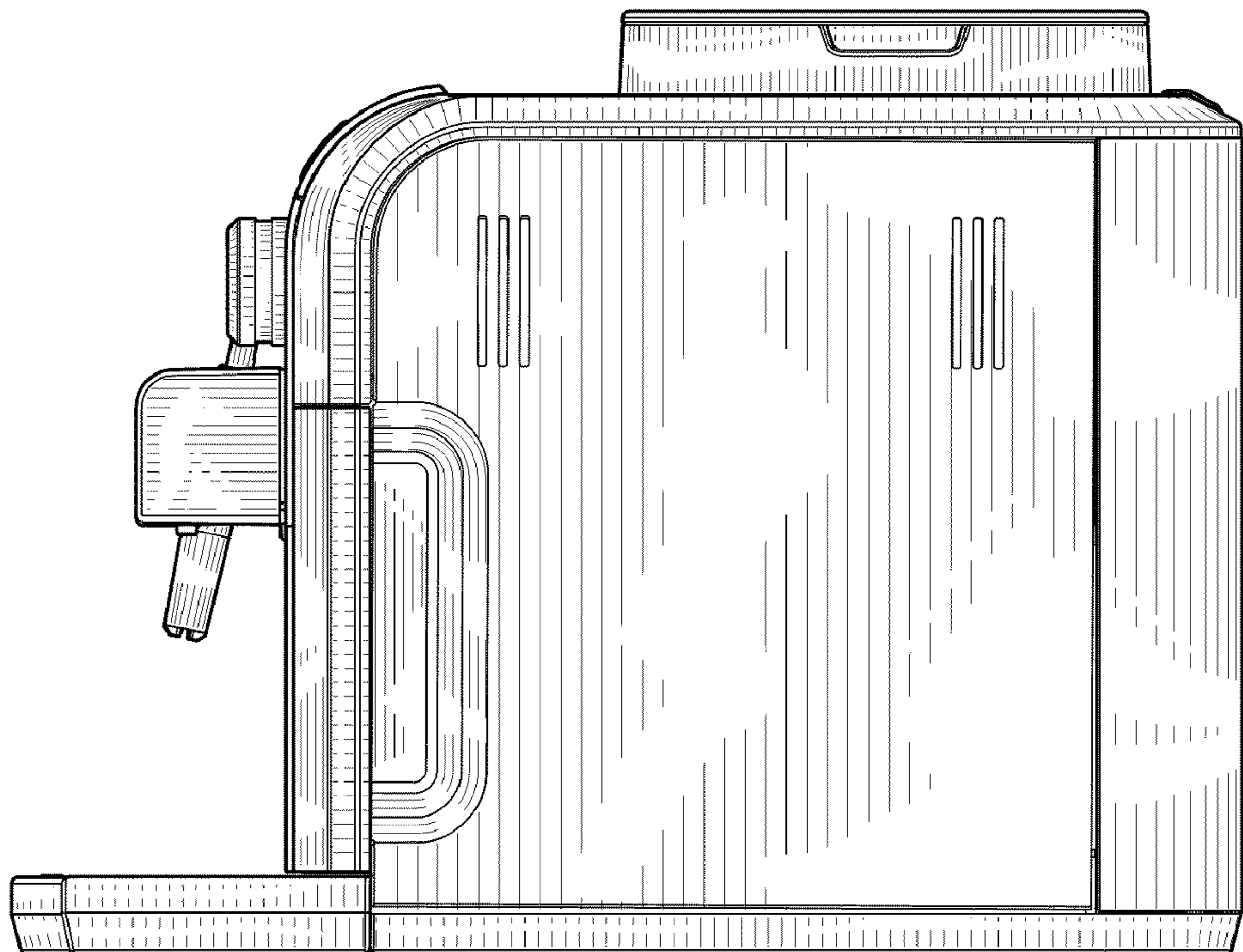


FIG. 5

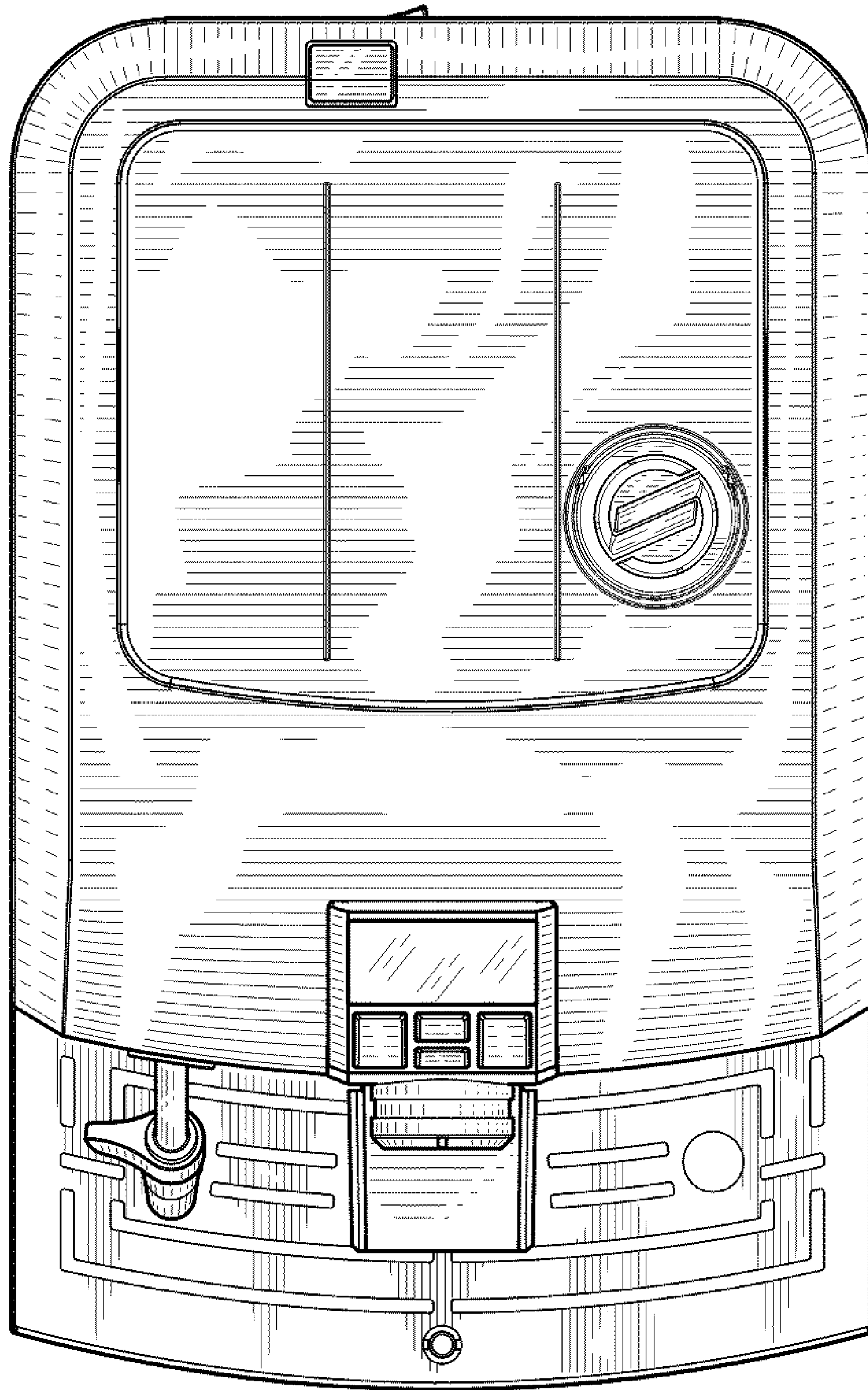


FIG.6

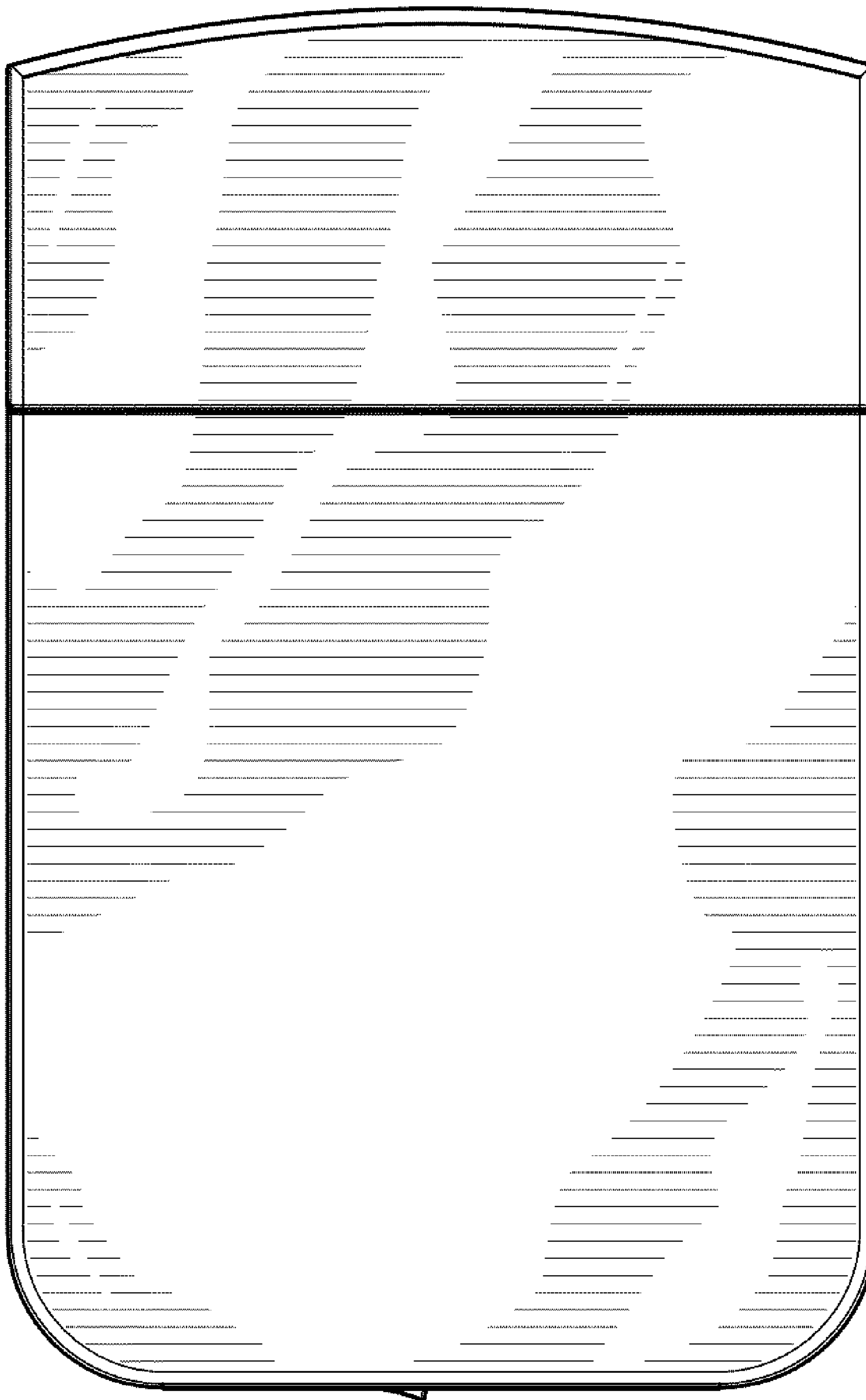


FIG. 7