



US00D645694S

(12) **United States Design Patent**
Kusch et al.

(10) **Patent No.:** **US D645,694 S**

(45) **Date of Patent:** **** Sep. 27, 2011**

(54) **PERSONAL DRAUGHT APPLIANCE**

3,977,569 A	8/1976	Scholle	
D244,850 S *	6/1977	Wilson	D7/311
4,032,047 A	6/1977	Wilson	
4,264,019 A	4/1981	Roberts et al.	
4,368,825 A	1/1983	Motill	
4,892,230 A	1/1990	Lynn, Jr.	
4,921,135 A	5/1990	Pleet	
4,955,512 A	9/1990	Sharples	

(Continued)

(73) Assignee: **Anheuser-Busch, Inc.**, St. Louis, MO (US)

(**) Term: **14 Years**

(21) Appl. No.: **29/375,359**

(22) Filed: **Sep. 21, 2010**

Related U.S. Application Data

(63) Continuation-in-part of application No. 29/346,382, filed on Oct. 30, 2009, now Pat. No. Des. 623,887.

(51) **LOC (9) Cl.** **07-01**

(52) **U.S. Cl.** **D7/306; D7/313; D7/300; D7/397**

(58) **Field of Classification Search** D7/300, D7/313, 397, 306; D34/39; 64/400; 222/399
See application file for complete search history.

(56) **References Cited**

U.S. PATENT DOCUMENTS

D205,211 S	7/1966	de Boer et al.	
D205,750 S	9/1966	Cornelius	
3,294,289 A	12/1966	Bayne et al.	
D207,031 S *	2/1967	Jerore	D7/397
3,315,846 A	4/1967	Landis et al.	
D210,188 S	2/1968	Burns	
3,373,907 A *	3/1968	Batrow	222/399
3,598,270 A	8/1971	Adomaitis et al.	
3,696,969 A	10/1972	De Van et al.	
3,727,783 A	4/1973	Carmichael	
3,759,410 A	9/1973	Uhlig	
D228,976 S *	10/1973	Wilson	D7/311
D229,545 S	12/1973	Uhlig	

FOREIGN PATENT DOCUMENTS

WO 2008/112535 A1 9/2008

Primary Examiner — Marianne Pandozzi

(74) *Attorney, Agent, or Firm* — Paul V. Storm; Mark D. Perdue; Storm LLP

(57) **CLAIM**

The ornamental design for a personal draught appliance, as shown and described.

DESCRIPTION

FIG. 1 is an isometric view of the personal draught appliance showing environmental features in dashed lines.

FIG. 2 is an isometric view of the personal draught appliance in FIG. 1.

FIG. 3 is a left side view of the personal draught appliance of FIG. 1.

FIG. 4 is a top view of the personal draught appliance of FIG. 1.

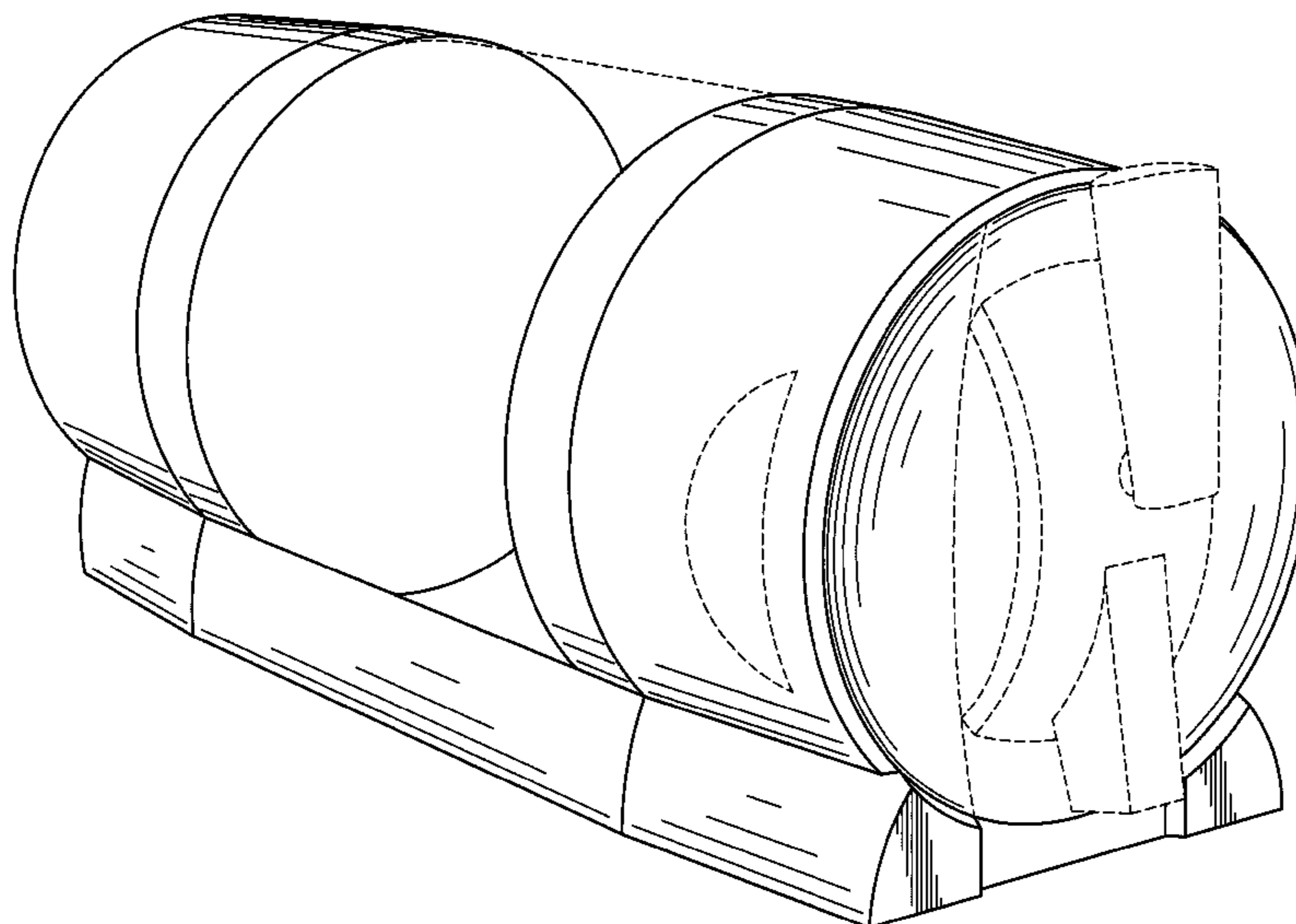
FIG. 5 is a bottom view of the personal draught appliance of FIG. 1.

FIG. 6 is a front view of the personal draught appliance of FIG. 1; and,

FIG. 7 is a rear view of the personal draught appliance of FIG. 1.

The broken lines showing portions of the home draught appliance are included for the purpose of illustrating environmental structure and form no part of the claimed design.

1 Claim, 4 Drawing Sheets



US D645,694 S

Page 2

U.S. PATENT DOCUMENTS			
4,984,713	A	1/1991	Chambers et al.
D352,417	S *	11/1994	Petroske et al. D7/301
5,529,196	A	6/1996	Lane
D393,522	S *	4/1998	Pettis et al. D34/39
D425,426	S	5/2000	Weber
6,085,924	A	7/2000	Henderson
D459,139	S	6/2002	Vlooswijk et al.
D470,415	S	2/2003	Weber
D497,283	S	10/2004	Groombridge
D524,587	S	7/2006	Patel et al.
D558,950	S *	1/2008	Brans D34/39
D560,873	S *	1/2008	Brans D34/39
D568,168	S	5/2008	Boukobza
D574,574	S *	8/2008	Bax D34/39
D615,340	S *	5/2010	Taggart et al. D7/313
D615,353	S	5/2010	Taggart et al.
D623,464	S *	9/2010	Kusch et al. D7/313
D623,471	S *	9/2010	Kusch et al. D7/397
D623,887	S *	9/2010	Kusch et al. D7/313
2006/0118574	A1	6/2006	Anderson et al.
2008/0217361	A1	9/2008	Vitantonio et al.
2008/0217362	A1	9/2008	Vitantonio et al.
2008/0217363	A1	9/2008	Vitantonio et al.
2009/0140006	A1	6/2009	Vitantonio et al.
2009/0261129	A1	10/2009	Vitantonio et al.
2009/0302038	A1	12/2009	Taggart et al.
2009/0321443	A1	12/2009	Taggart et al.

* cited by examiner

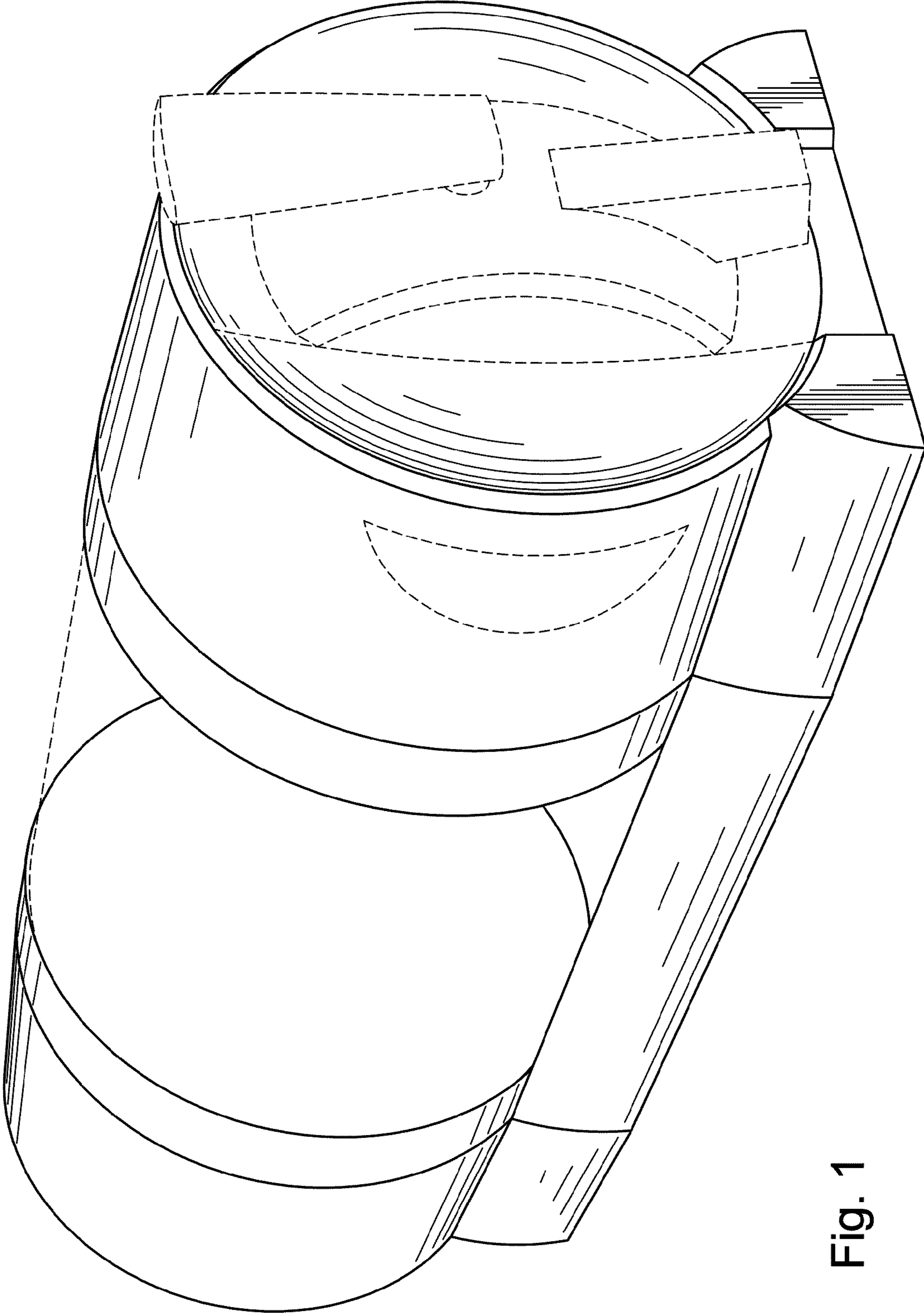


Fig. 1

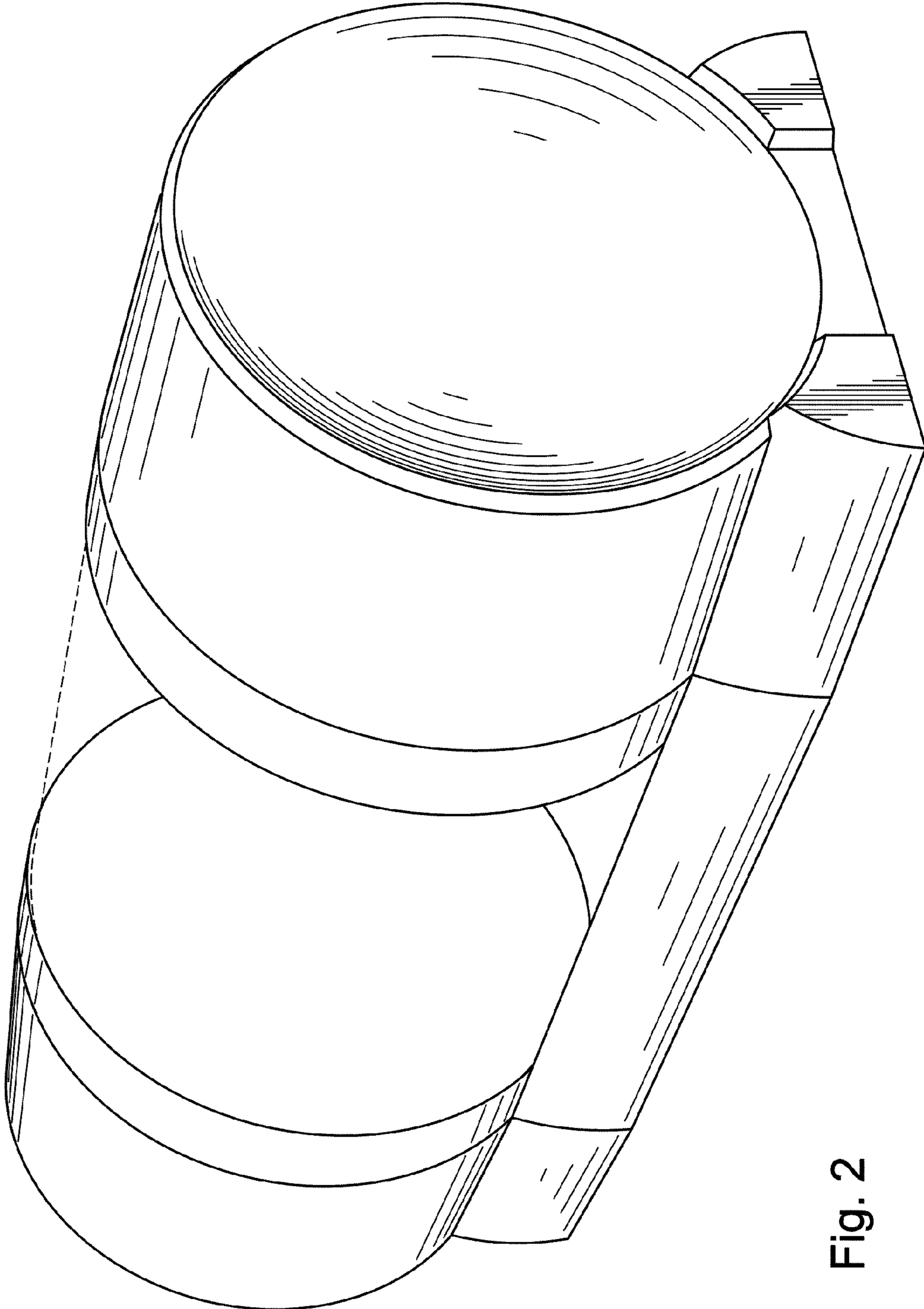


Fig. 2

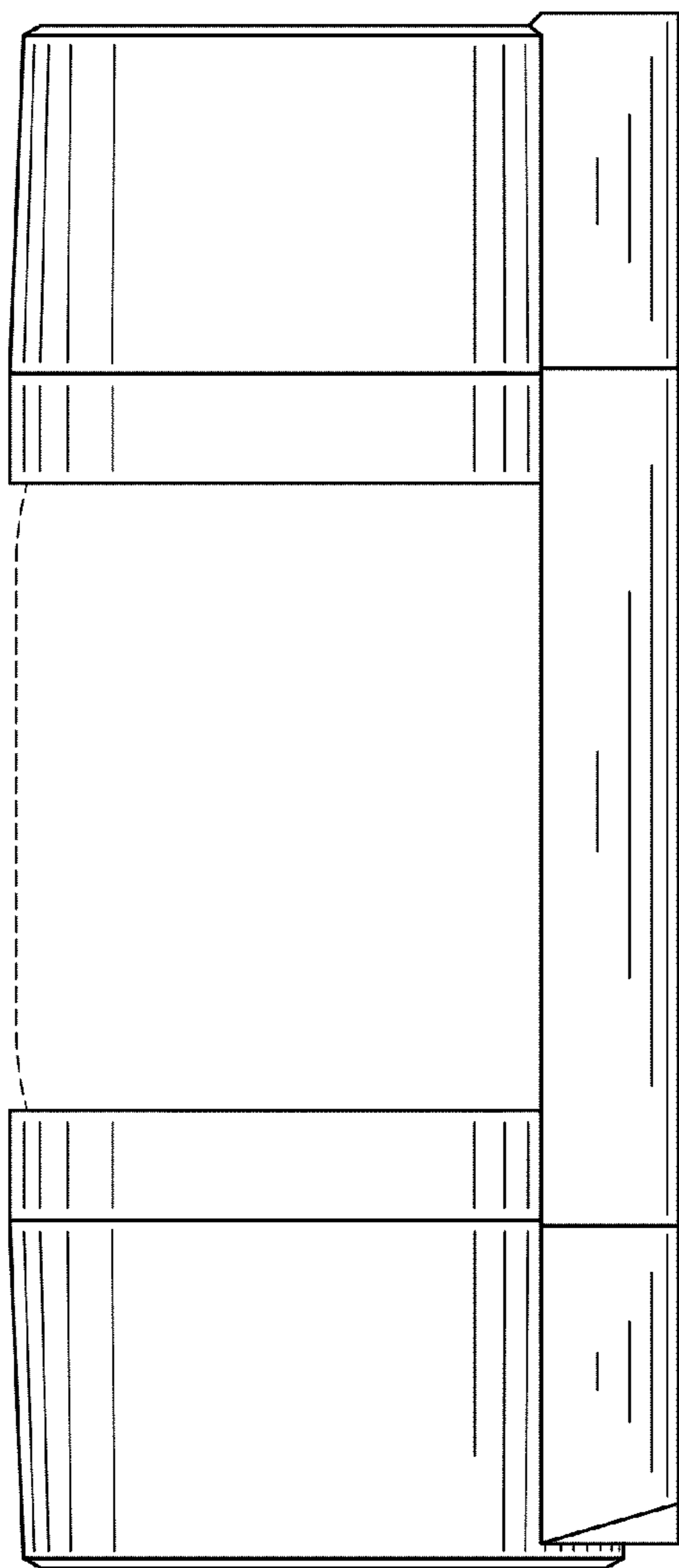


Fig. 3

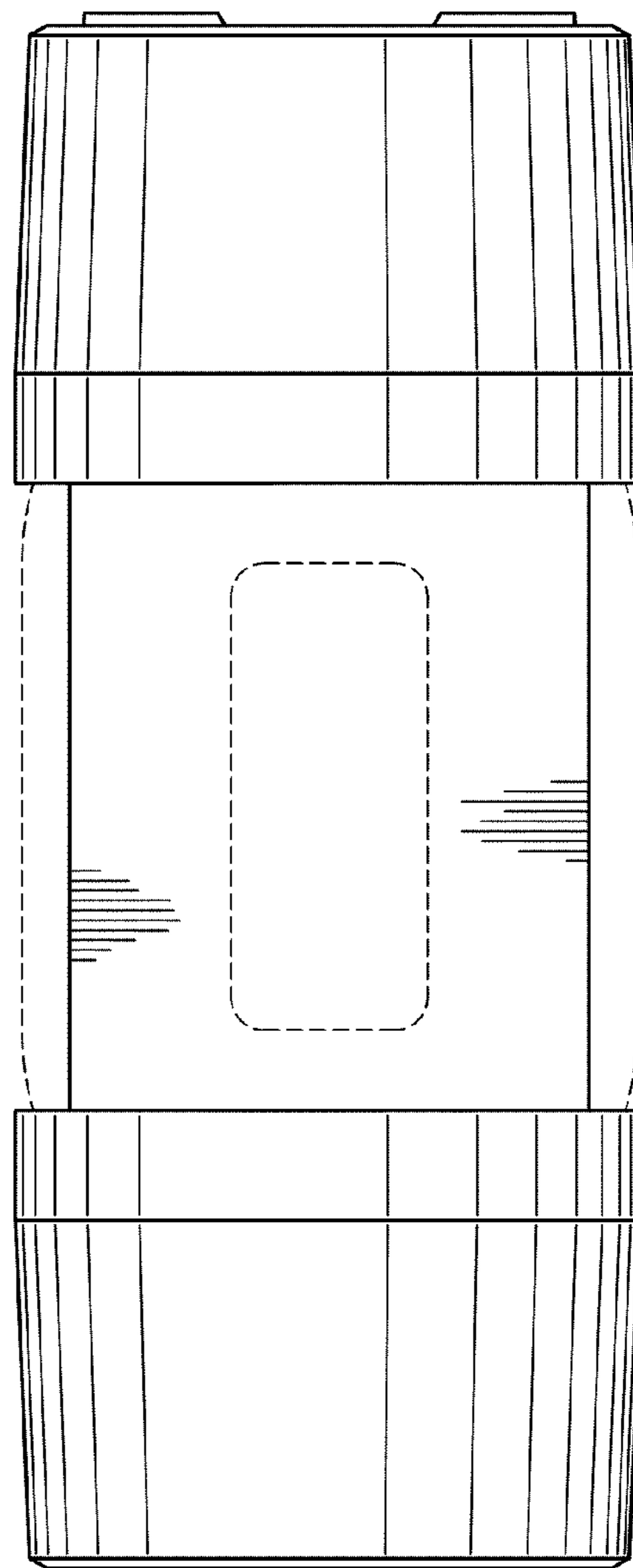


Fig. 4

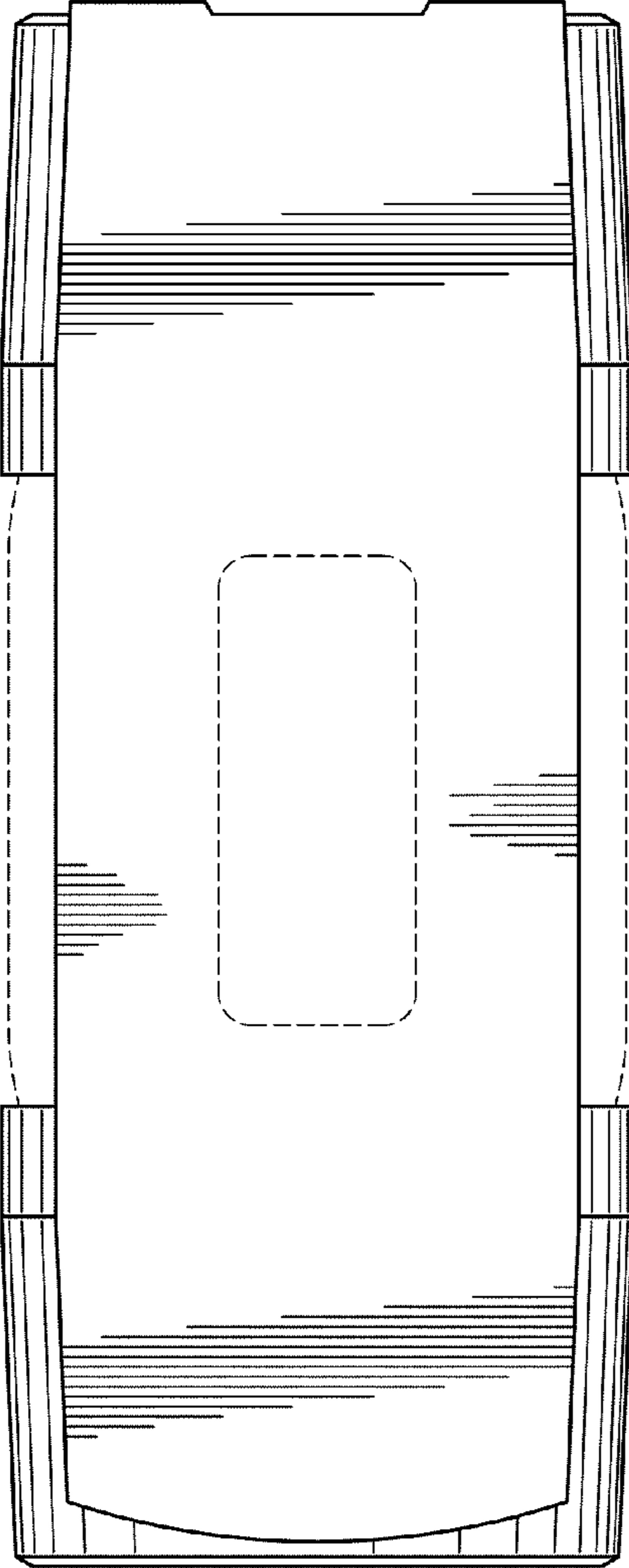


Fig. 5

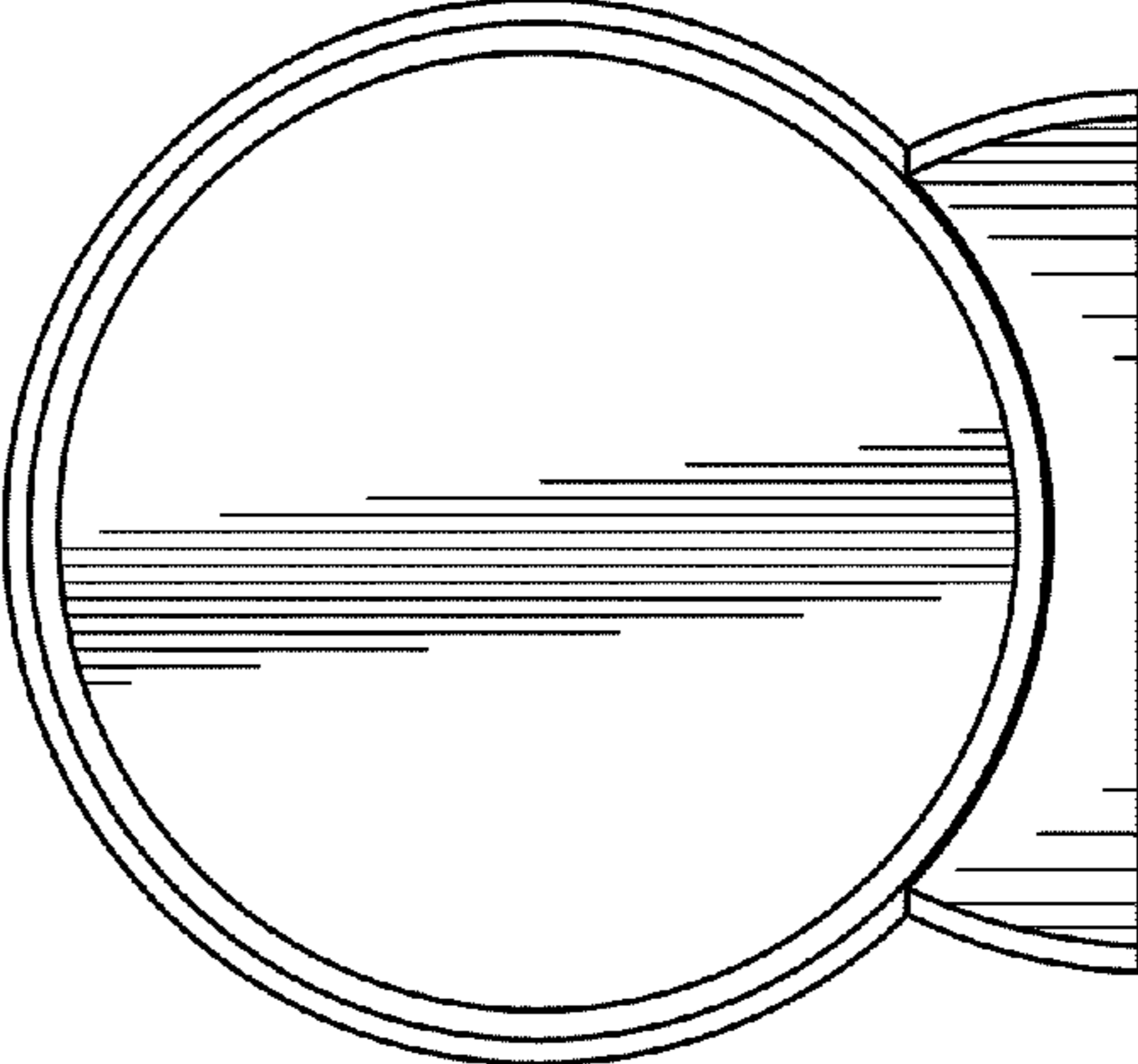


Fig. 7

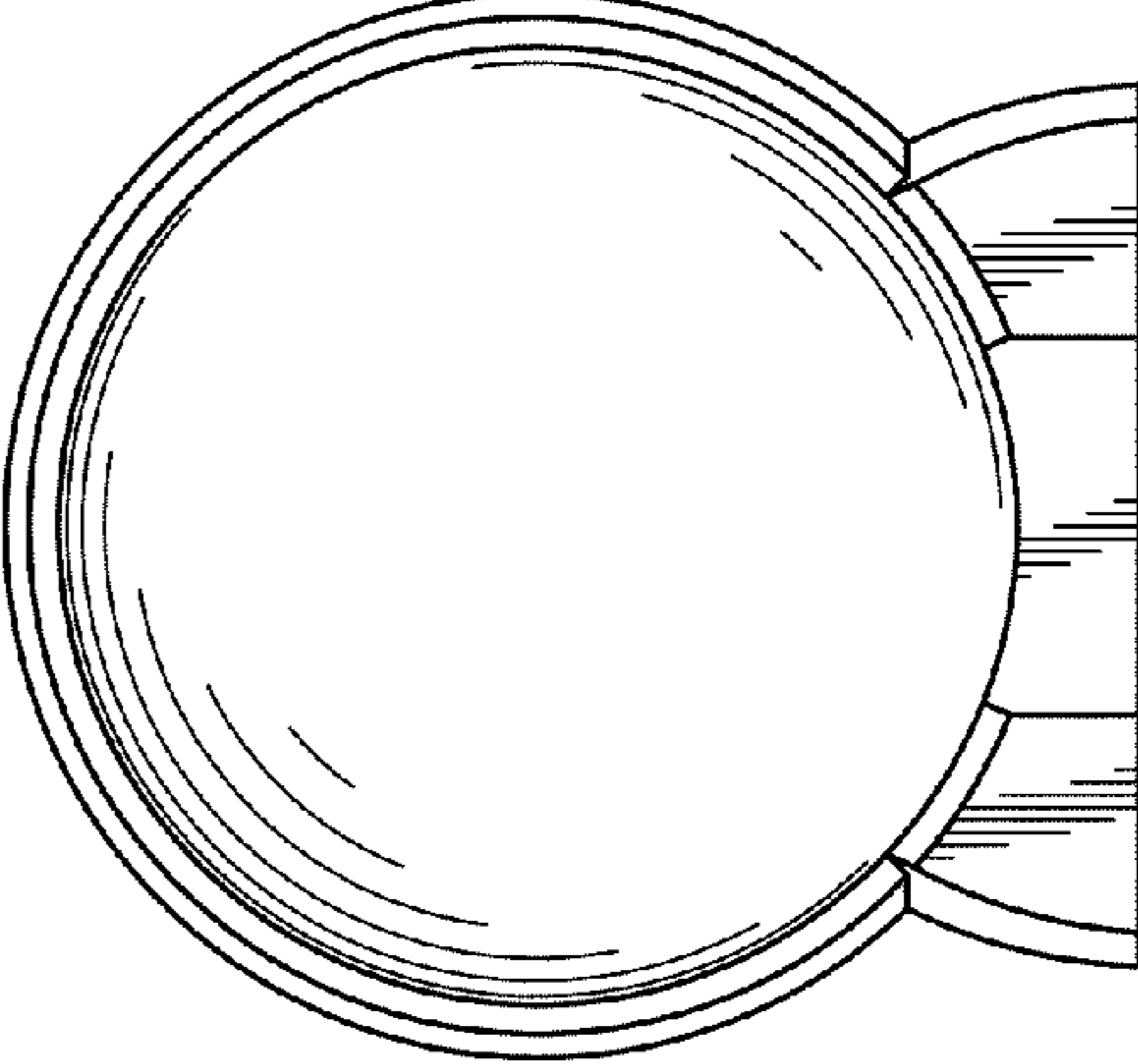


Fig. 6