



US00D645683S

(12) **United States Design Patent**
Chen

(10) **Patent No.:** **US D645,683 S**

(45) **Date of Patent:** **** Sep. 27, 2011**

(54) **SEATBACK FRAME**

(76) Inventor: **Yucheng Chen**, Guangzhou (CN)

(**) Term: **14 Years**

(21) Appl. No.: **29/384,028**

(22) Filed: **Jan. 26, 2011**

(30) **Foreign Application Priority Data**

Jan. 18, 2011 (CN) 2011 3 0009465

(51) **LOC (9) Cl.** **06-01**

(52) **U.S. Cl.** **D6/502; D6/366**

(58) **Field of Classification Search** D6/334–336,
D6/360–369, 373–374, 379–380, 498, 500–502,
D6/601; 297/284.1–284.5, 291, 297, 303.1,
297/354.12, 411.2, 411.27–411.29, 452.13,
297/452.19, 452.21, 452.29, 452.3, 452.56,
297/452.63

See application file for complete search history.

(56) **References Cited**

U.S. PATENT DOCUMENTS

D461,661 S * 8/2002 Koepke et al. D6/500
D510,671 S * 10/2005 Wu D6/502

D543,717 S * 6/2007 Chen D6/366
D548,992 S * 8/2007 Koepke et al. D6/366
D558,492 S * 1/2008 Lu D6/500
D558,994 S * 1/2008 Machael et al. D6/366
D568,624 S * 5/2008 Wen D6/366
D576,416 S * 9/2008 Su D6/366
D579,695 S * 11/2008 Wu D6/500
D580,198 S * 11/2008 Wu D6/502
D580,199 S * 11/2008 Su D6/502
D585,205 S * 1/2009 Wen D6/366
D596,884 S * 7/2009 Wen D6/502

* cited by examiner

Primary Examiner — Ricky Pham

(74) *Attorney, Agent, or Firm* — George D. Liu; Ronda IP Agent Co., Ltd

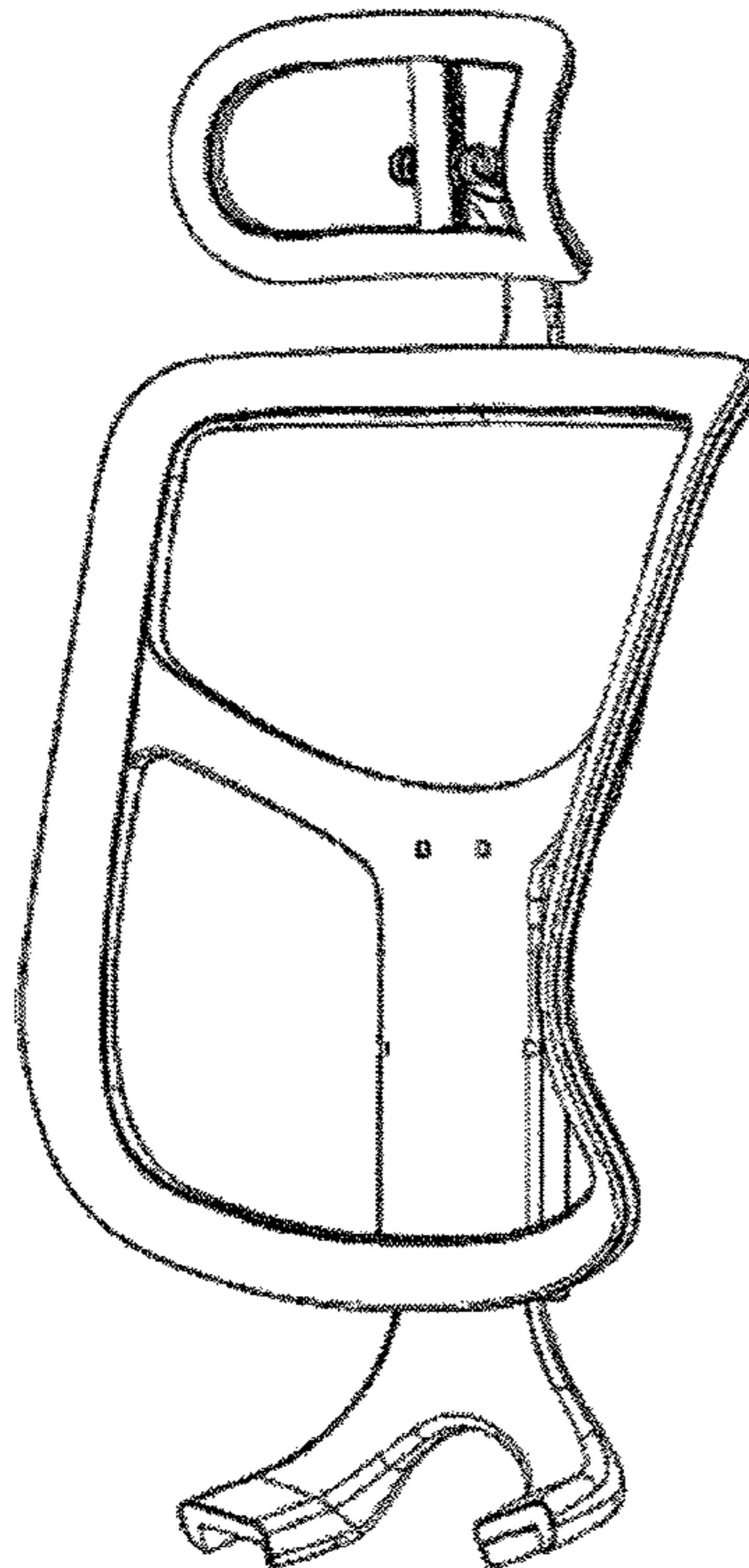
(57) **CLAIM**

The ornamental design for a seatback frame, as shown and described.

DESCRIPTION

FIG. 1 is a front view of the seatback frame;
FIG. 2 is a rear view of the seatback frame;
FIG. 3 is a left view of the seatback frame;
FIG. 4 is a right view of the seatback frame;
FIG. 5 is a top view of the seatback frame;
FIG. 6 is a bottom view of the seatback frame; and,
FIG. 7 is a perspective view of the seatback frame.

1 Claim, 3 Drawing Sheets



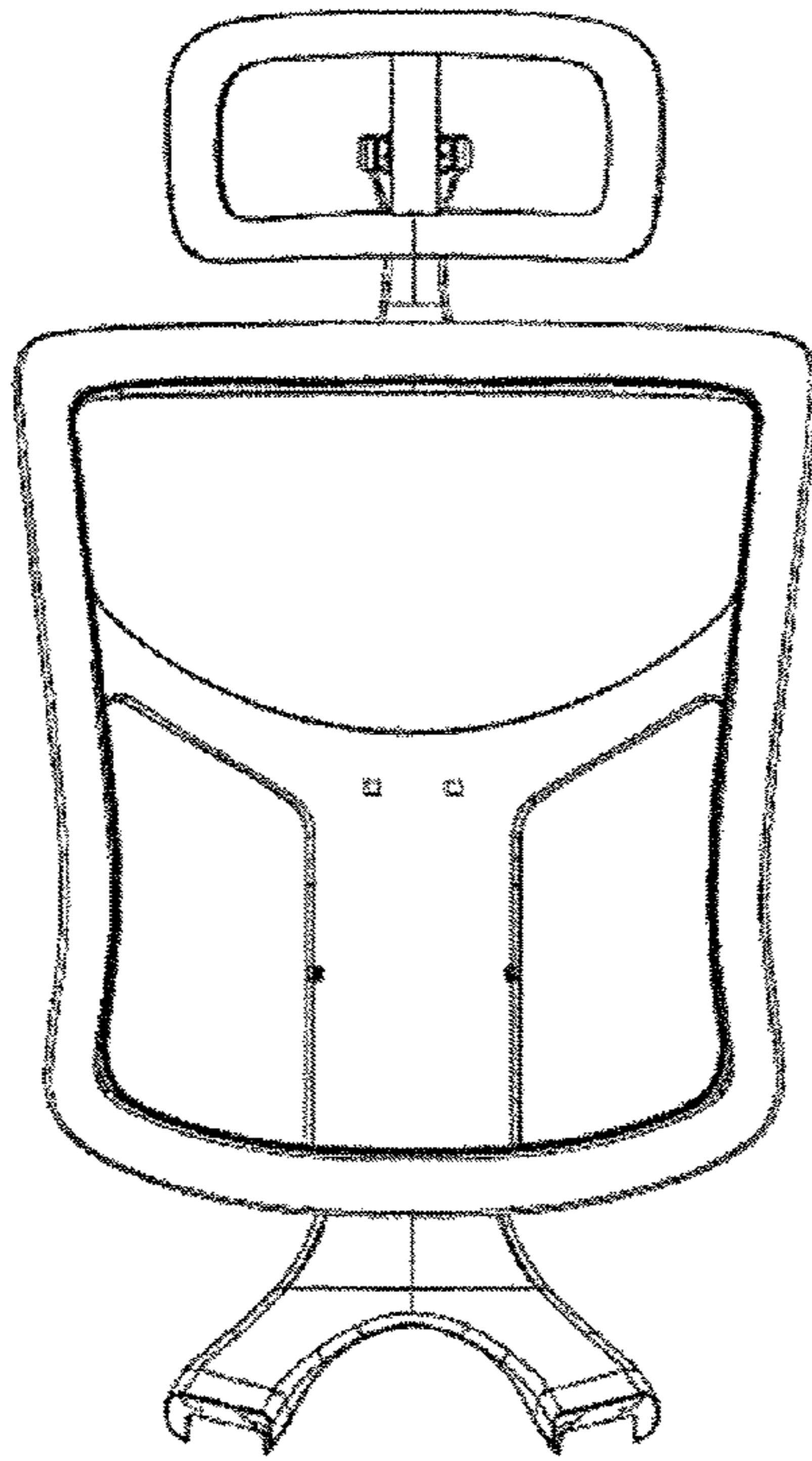


FIG. 1

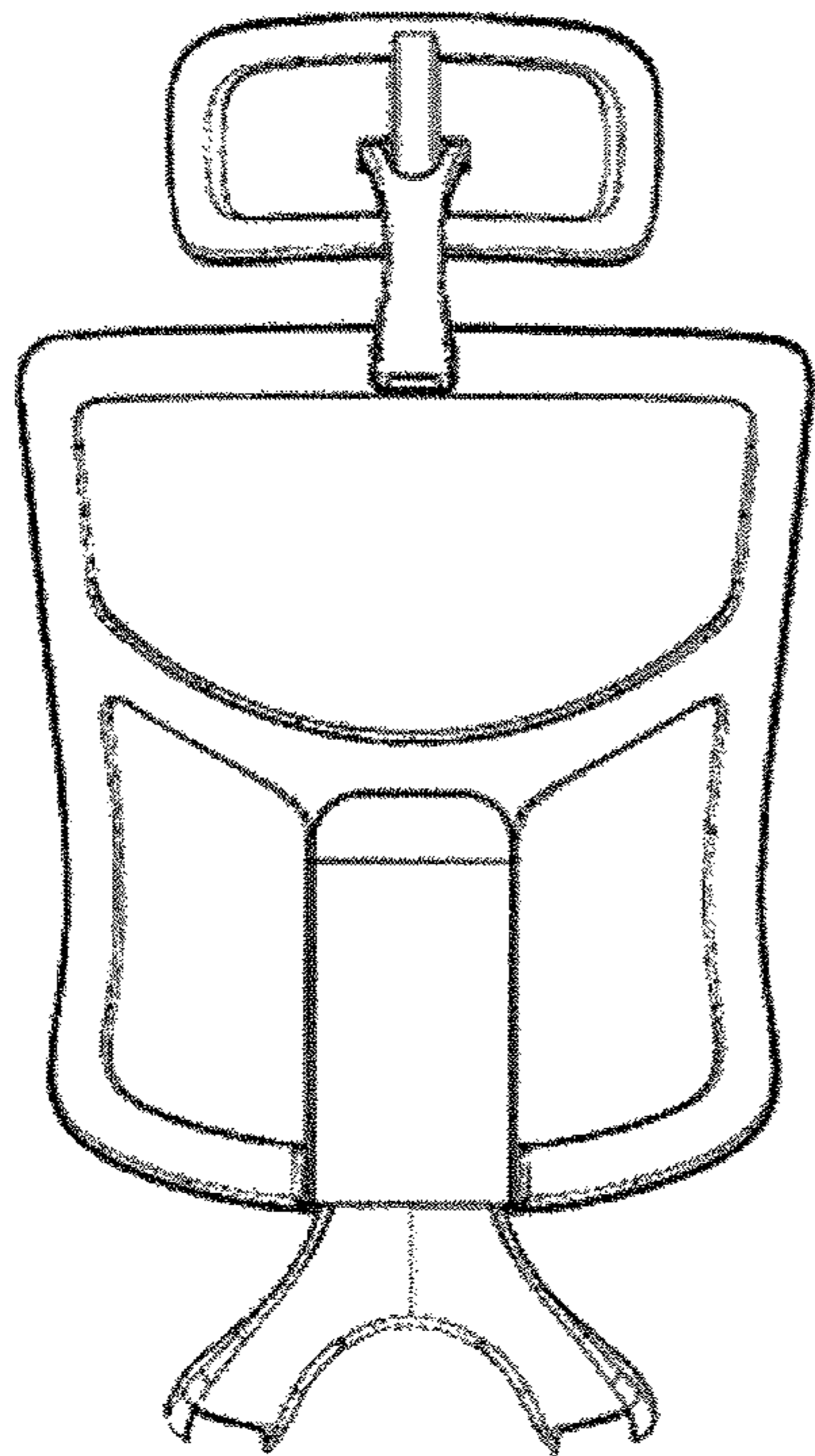


FIG. 2

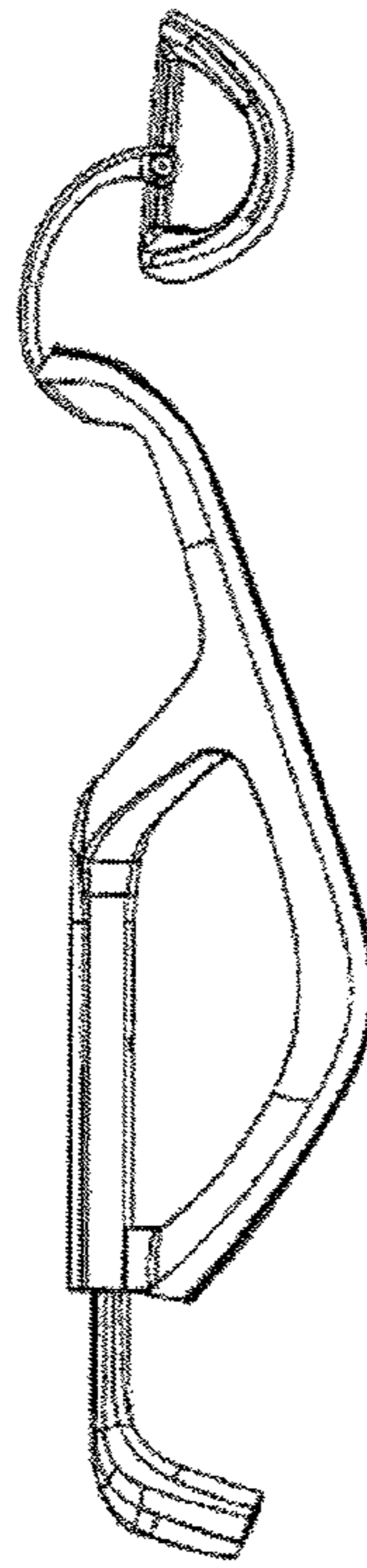


FIG.3

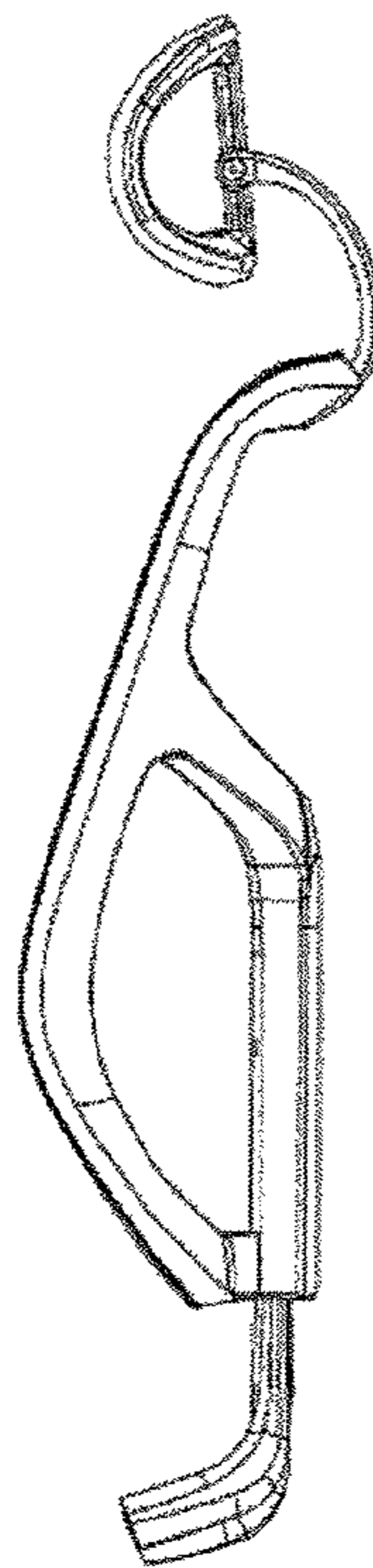


FIG.4

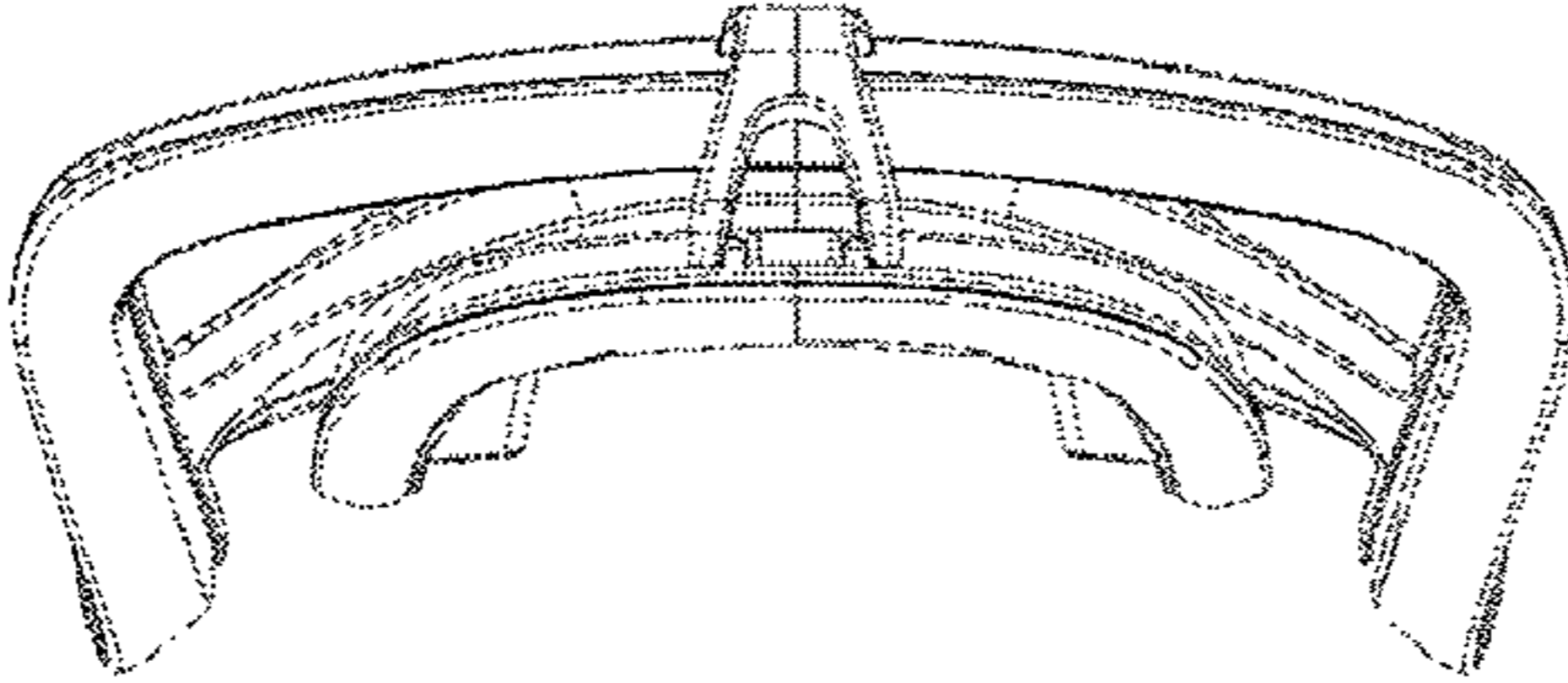


FIG. 5

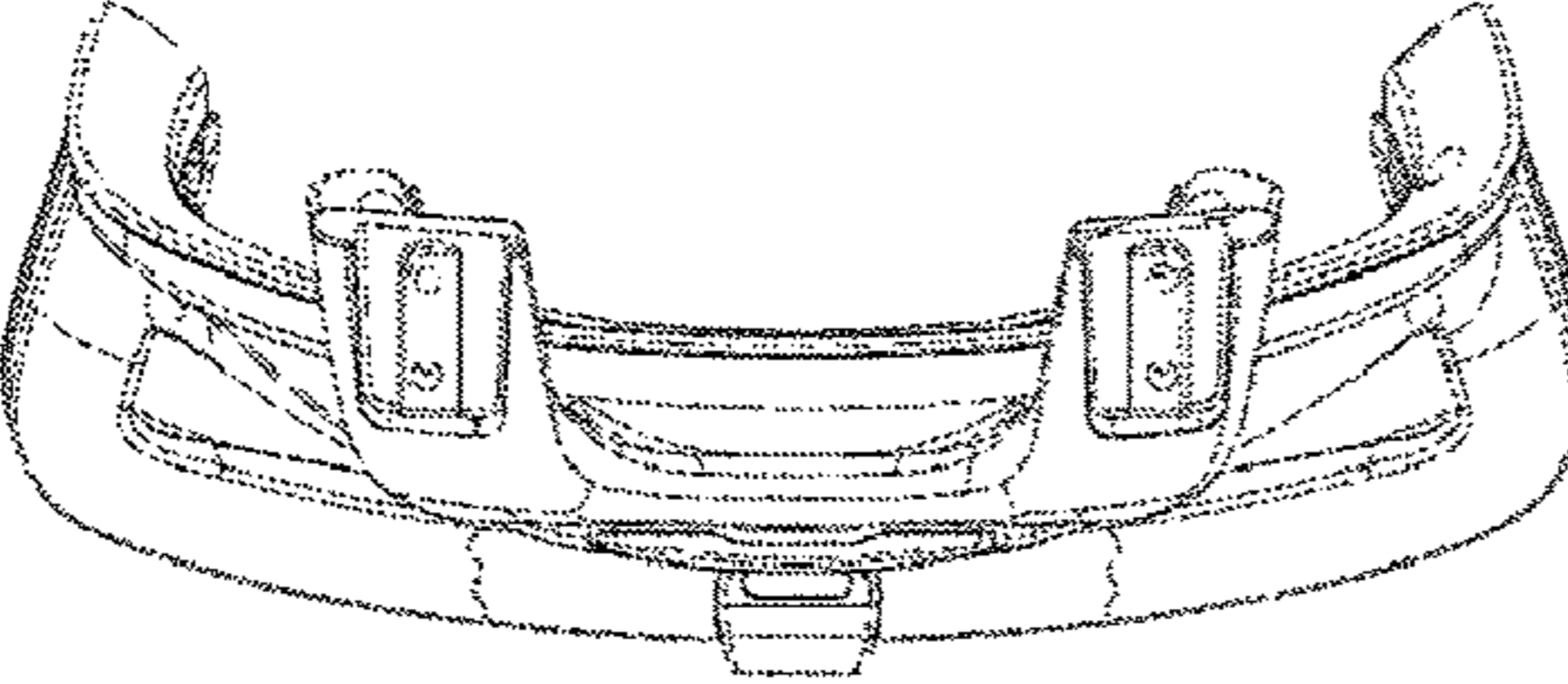


FIG. 6

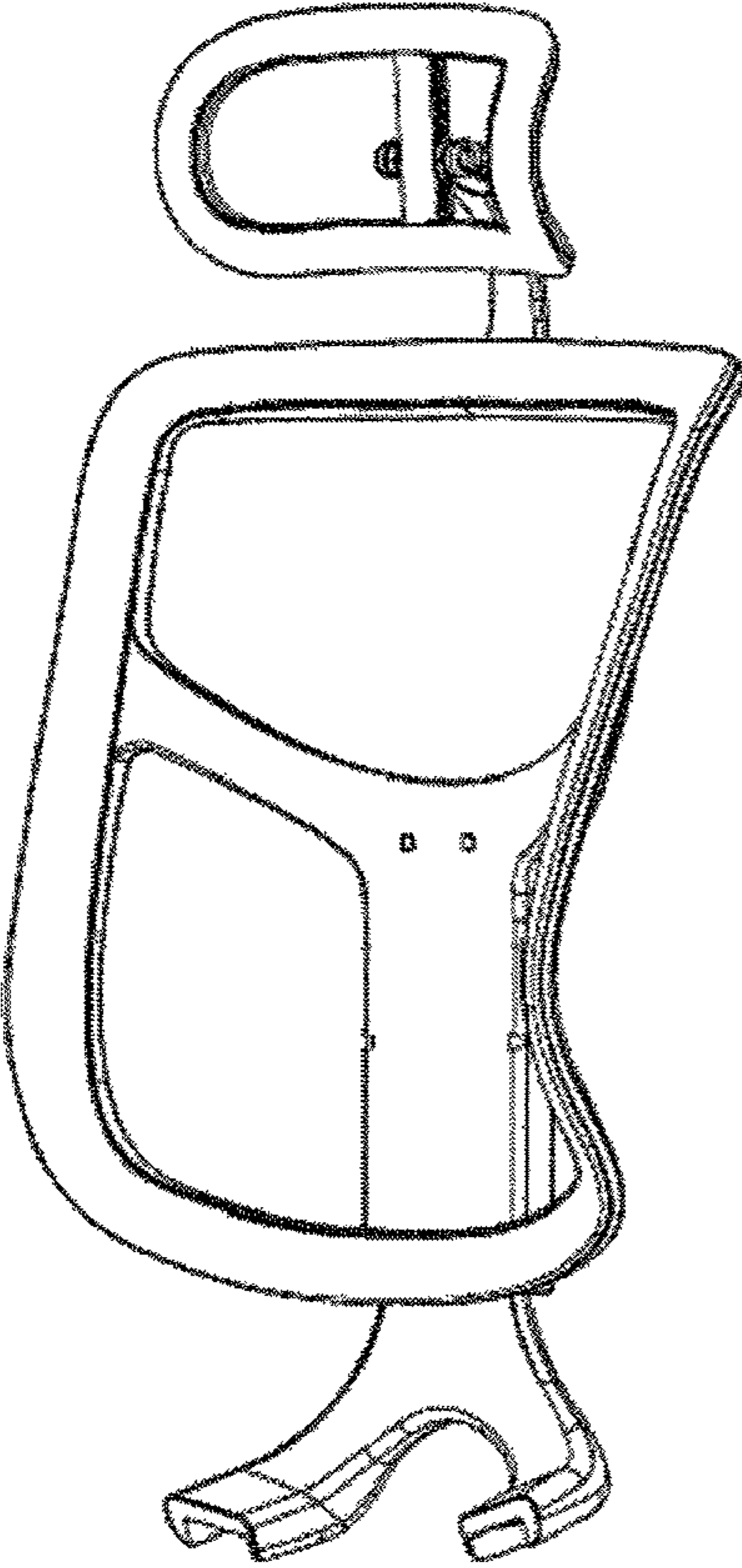


FIG. 7