



US00D645681S

(12) **United States Design Patent**
Grell

(10) **Patent No.:** **US D645,681 S**

(45) **Date of Patent:** **** Sep. 27, 2011**

(54) **ARM REST**

(75) Inventor: **Julien Serge Stephan Grell**, Moncton (CA)

(73) Assignee: **Spielo Manufacturing ULC**, Moncton, New Brunswick (CA)

(**) Term: **14 Years**

(21) Appl. No.: **29/350,396**

(22) Filed: **Nov. 16, 2009**

(51) **LOC (9) Cl.** **06-01**

(52) **U.S. Cl.** **D6/501**

(58) **Field of Classification Search** D6/334–336, D6/360–369, 374, 379–380, 500–502; D13/162–168; 297/411.12, 441.2, 411.23, 297/411.25–26; 248/118, 188.1, 188.3

See application file for complete search history.

(56) **References Cited**

U.S. PATENT DOCUMENTS

D321,215 S *	10/1991	Shamis	D21/324
D338,191 S *	8/1993	Ahmed et al.	D13/162
5,835,586 A *	11/1998	Skowronski	379/446
D457,862 S *	5/2002	Falk et al.	D13/162
D465,361 S *	11/2002	Chi	D6/501
D470,351 S *	2/2003	Patton	D6/500
6,608,399 B2 *	8/2003	McConnell et al.	307/10.1

D487,367 S *	3/2004	Patton	D6/500
D521,281 S *	5/2006	Luebke	D6/500
D554,078 S *	10/2007	Laurent et al.	D13/164
D557,949 S *	12/2007	Moorhouse et al.	D6/501
D595,667 S *	7/2009	Lasky et al.	D13/168
D606,199 S *	12/2009	Vu et al.	D24/177
D611,003 S *	3/2010	Muirhead et al.	D13/162
D622,988 S *	9/2010	Alford	D6/501
2003/0052514 A1 *	3/2003	Schmidt et al.	296/153

* cited by examiner

Primary Examiner — Elizabeth Albert

Assistant Examiner — Kelley Donnelly

(74) *Attorney, Agent, or Firm* — Sullivan & Worcester LLP; Christopher T. McWhinney

(57) **CLAIM**

We claim the ornamental design for an arm rest, as shown and described.

DESCRIPTION

FIG. 1 is a front perspective view of an arm rest according to my new design;

FIG. 2 is a right side elevational view thereof;

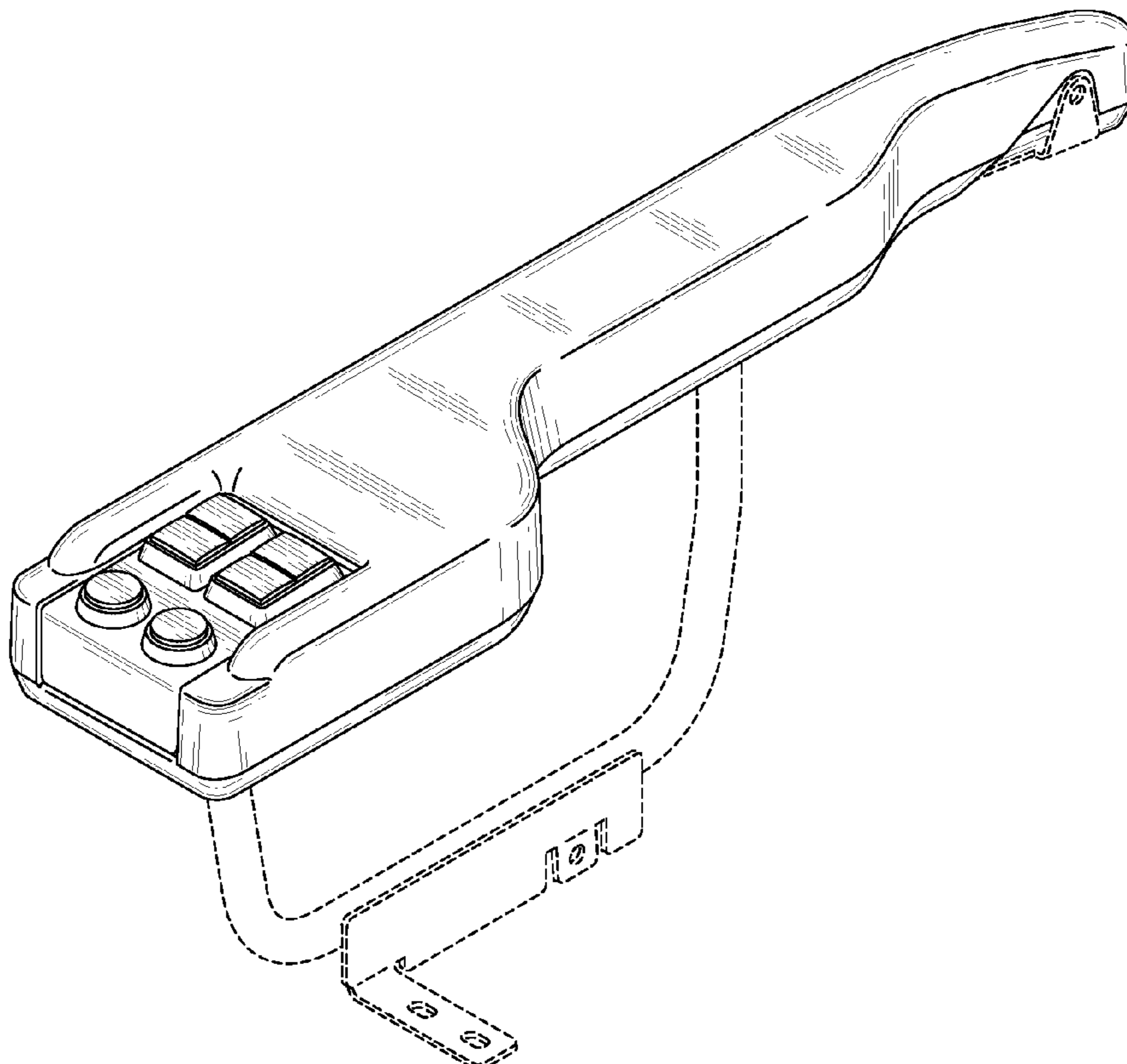
FIG. 3 is a left side elevational view thereof;

FIG. 4 is a rear elevational view thereof; and,

FIG. 5 is a top plan view thereof.

The broken lines in FIGS. 1, 2, 3, and 4 are for the purpose of illustrating environment and form no part of the claimed design.

1 Claim, 4 Drawing Sheets



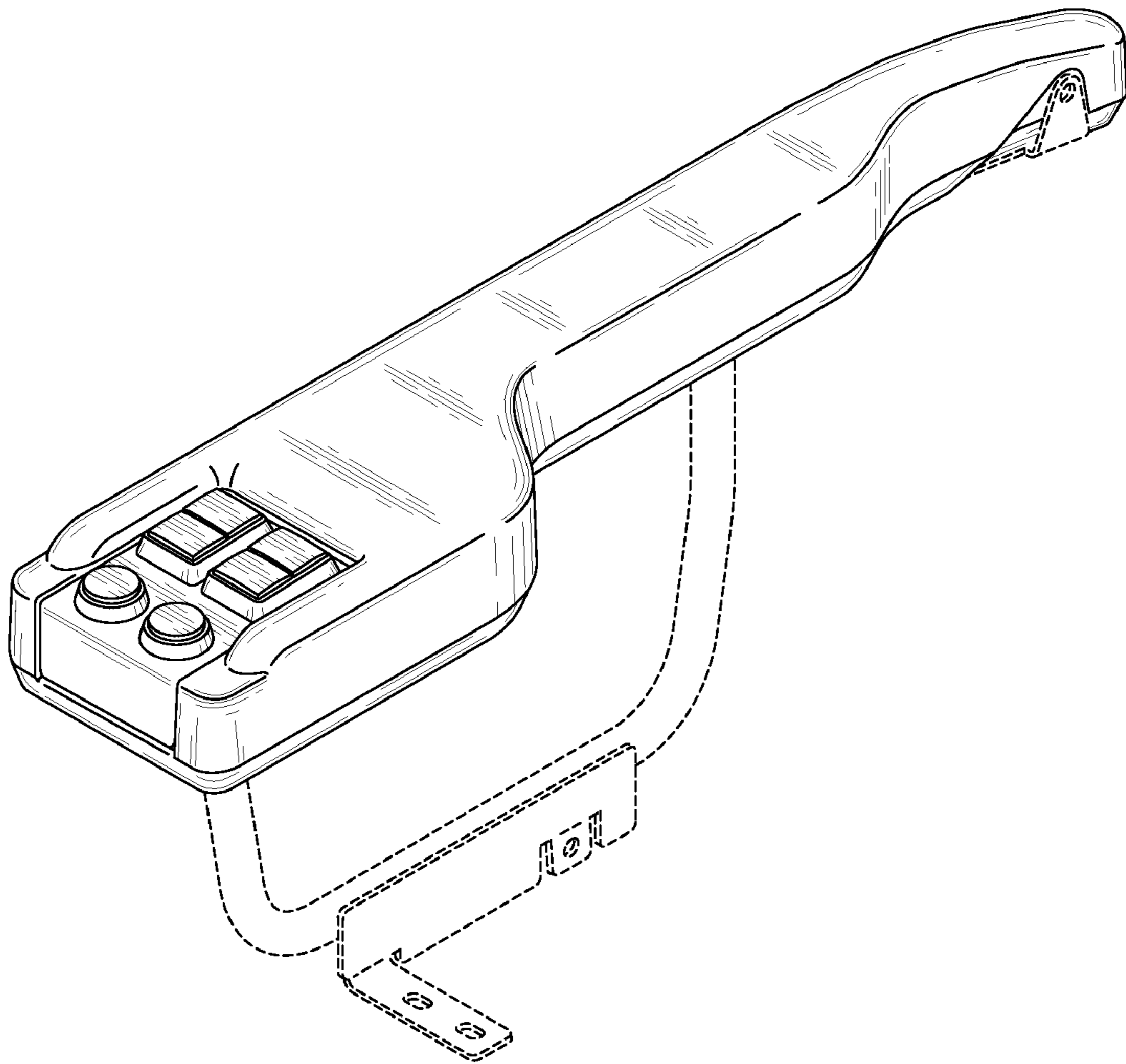


FIG. 1

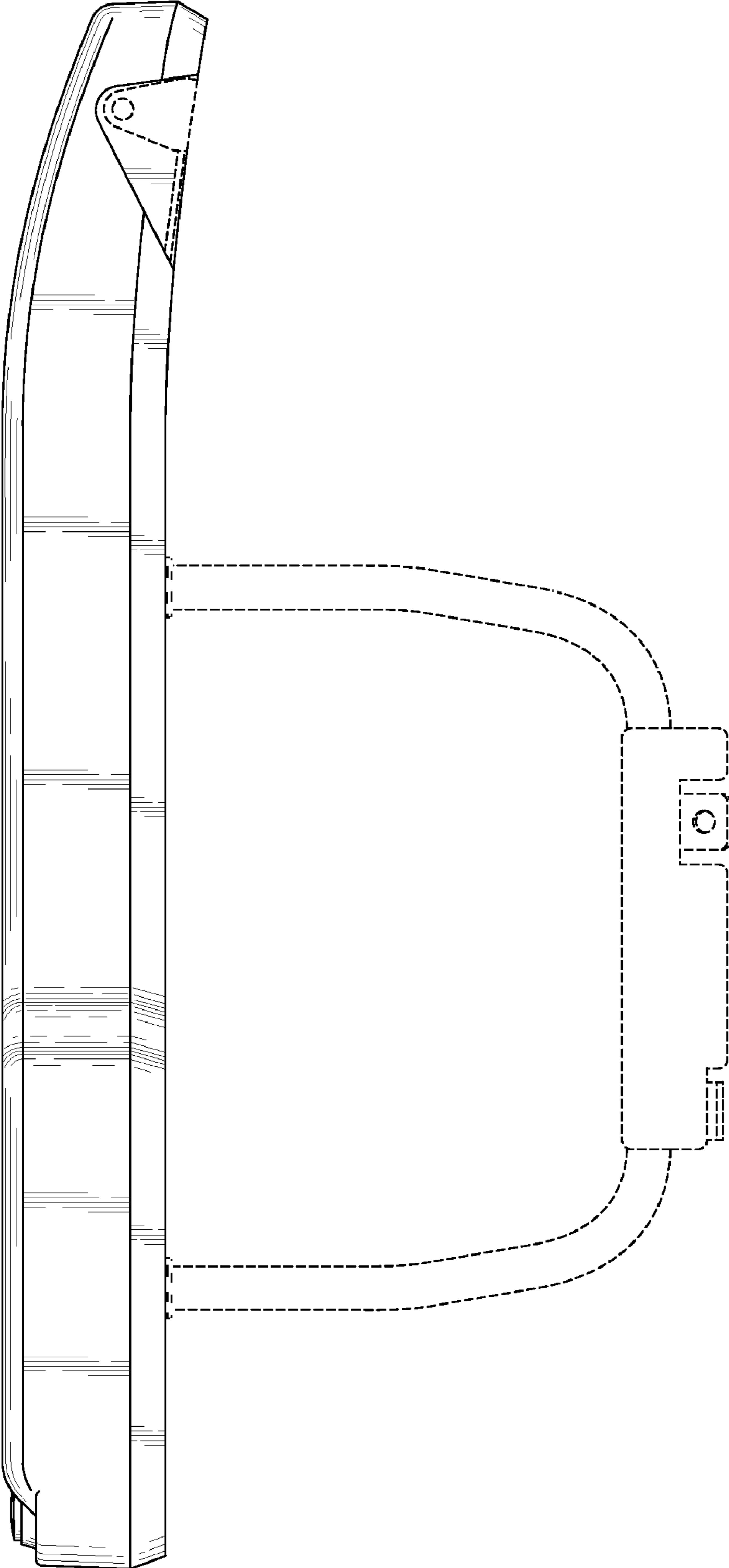


FIG. 2

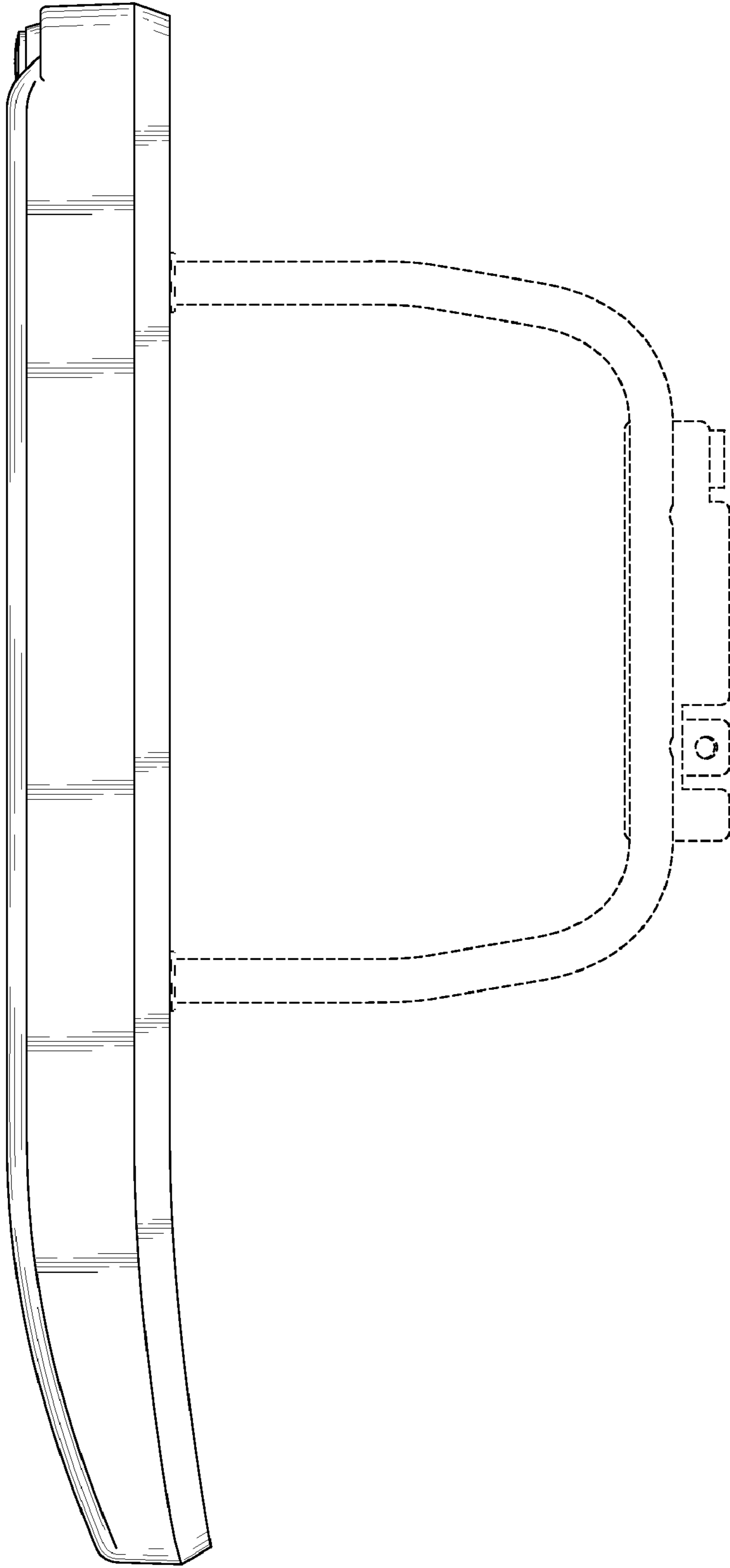


FIG. 3

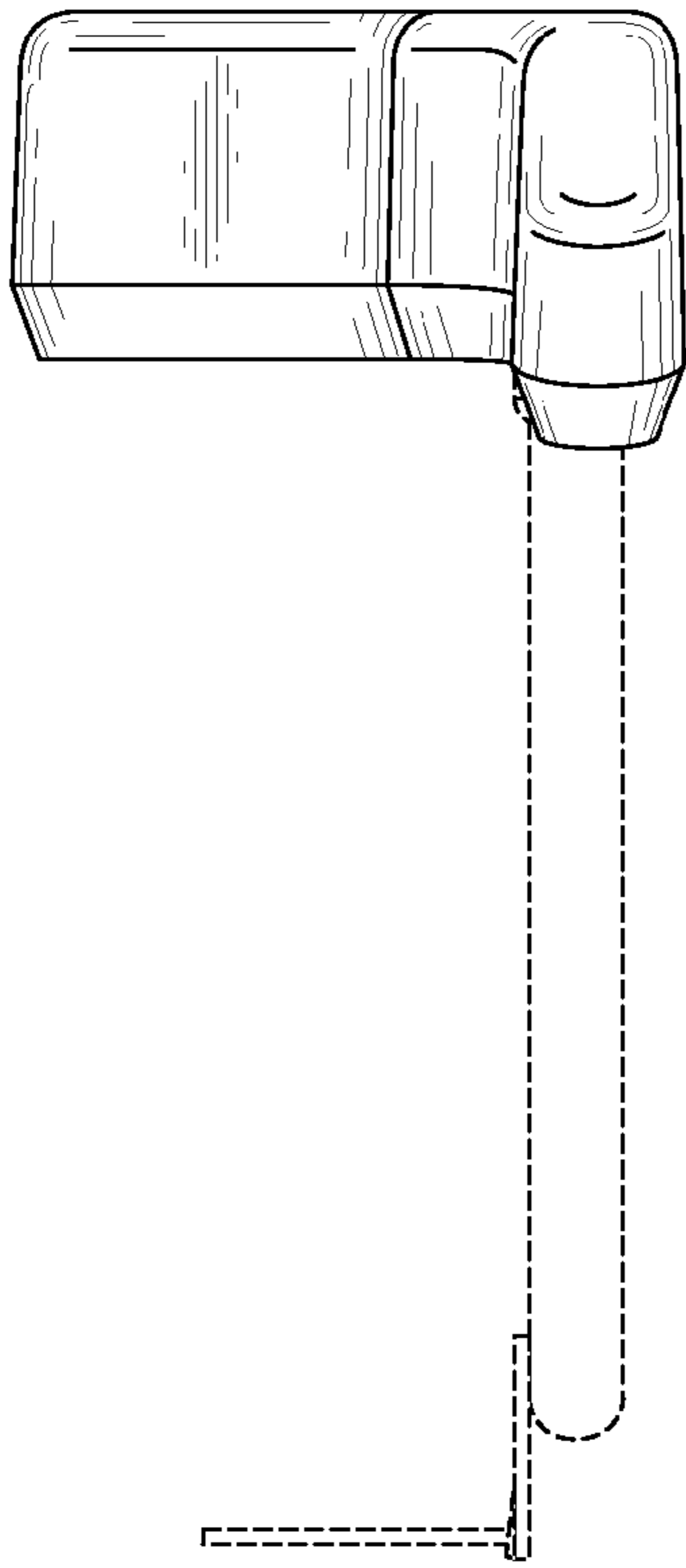


FIG. 4

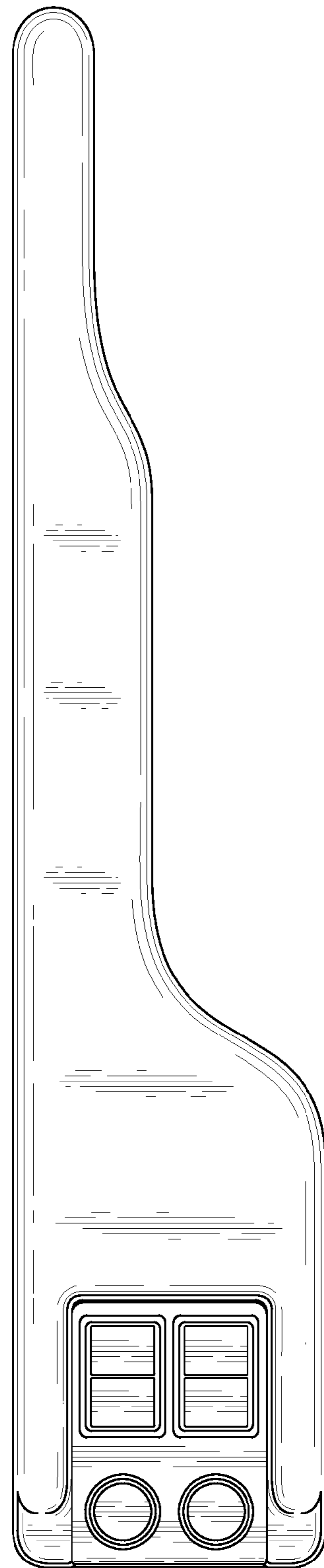


FIG. 5