



US00D645680S

(12) **United States Design Patent**  
**Gilbert**

(10) **Patent No.:** **US D645,680 S**

(45) **Date of Patent:** **\*\* Sep. 27, 2011**

- (54) **SEAT**
- (75) Inventor: **Christopher Jon Gilbert**, Moreland Hills, OH (US)
- (73) Assignee: **Moen Incorporated**, North Olmsted, OH (US)
- (\*\*) Term: **14 Years**
- (21) Appl. No.: **29/366,769**
- (22) Filed: **Jul. 29, 2010**
- (51) **LOC (9) Cl.** ..... **06-01**
- (52) **U.S. Cl.** ..... **D6/500**
- (58) **Field of Classification Search** ..... D6/340, D6/349-354, 355, 491, 492, 500-502; 297/16.1, 297/16.2, 175, 181, 186, 187, 195.1, 215.16, 297/440.12, 461, 462, DIG. 2  
See application file for complete search history.

- D439,429 S 3/2001 Higgs et al.
- D478,749 S 8/2003 Gilbert et al.
- D478,750 S 8/2003 Gilbert et al.

(Continued)

**OTHER PUBLICATIONS**

Seat Products Without Backs, all seat products shown in the cited document were publicly available more than one year prior to Jul. 29, 2010, 2 pages.

(Continued)

*Primary Examiner* — Sandra Snapp

(74) *Attorney, Agent, or Firm* — Calfee, Halter & Griswold LLP

(57) **CLAIM**

The ornamental design for a seat, as shown and described.

**DESCRIPTION**

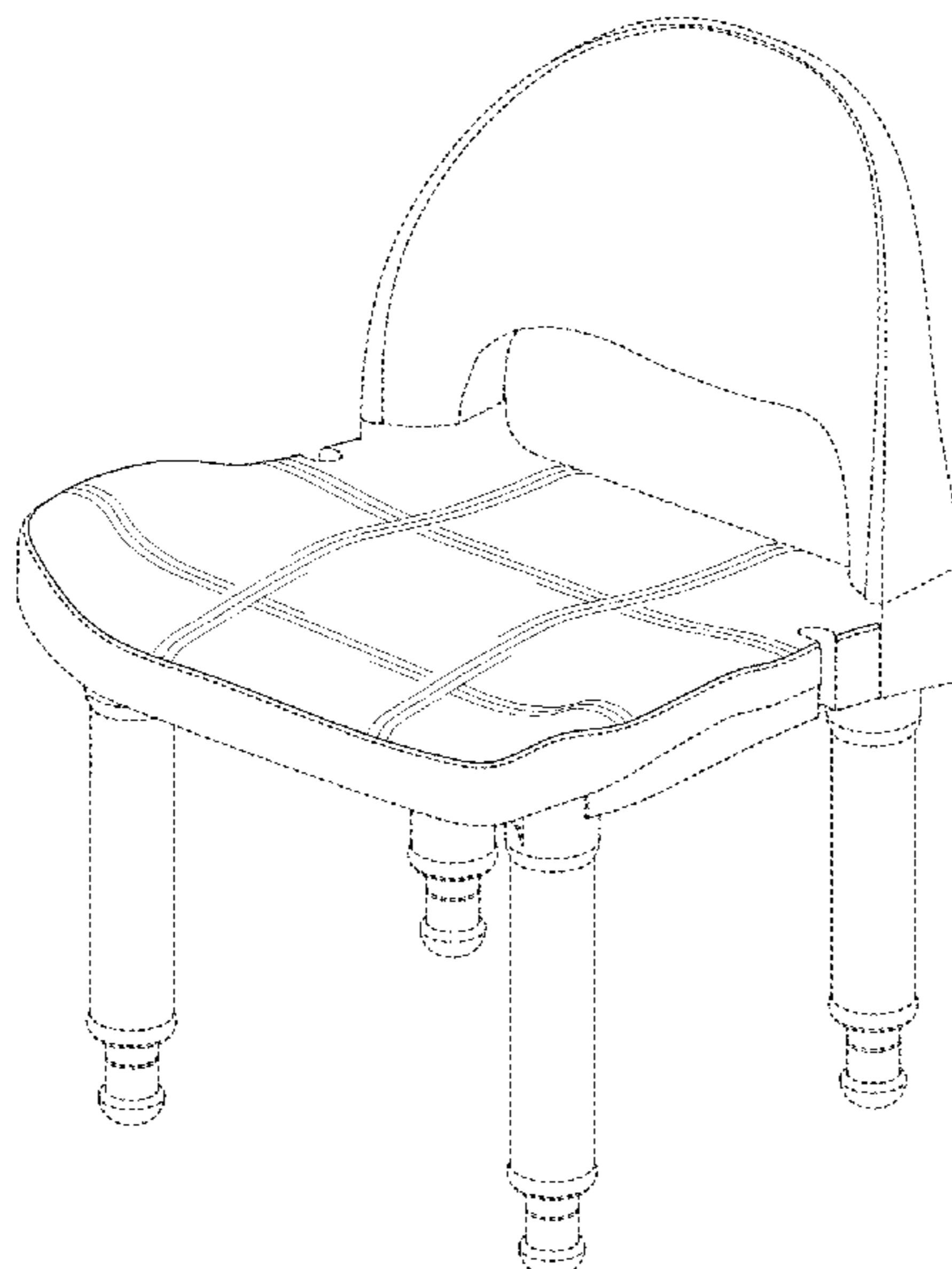
FIG. 1 is a front, right perspective view of a seat of the new design;  
 FIG. 2 is a rear, right perspective view of the seat of FIG. 1;  
 FIG. 3 is a front elevational view of the seat of FIG. 1;  
 FIG. 4 is a rear elevational view of the seat of FIG. 1;  
 FIG. 5 is a left side elevational view of the seat of FIG. 1, the right side elevational view being a mirror image thereof;  
 FIG. 6 is a top plan view of the seat of FIG. 1;  
 FIG. 7 is a cross-sectional view of the seat of FIG. 1, taken along the line 7-7 in FIG. 6, showing the contour of a portion of the exterior surface of the seat;  
 FIG. 8 is a cross-sectional view of the seat of FIG. 1, taken along the line 8-8 in FIG. 6, showing the contour of another portion of the exterior surface of the seat; and,  
 FIG. 9 is a cross-sectional view of the seat of FIG. 1, taken along the line 9-9 in FIG. 6, showing the contour of another portion of the exterior surface of the seat.  
 The portions of the Figures shown in broken lines are not part of the claimed design and are for illustration only.

(56) **References Cited**

**U.S. PATENT DOCUMENTS**

2,045,110	A	6/1936	Spiess
D221,752	S	9/1971	Brewer
D227,960	S	7/1973	Ekuan
3,784,254	A	1/1974	Longato
4,941,218	A	7/1990	McCartney
5,335,377	A	8/1994	Masyada et al.
D351,743	S	10/1994	Locher
D355,985	S	3/1995	Karten et al.
D357,361	S	4/1995	Karten et al.
5,536,068	A	7/1996	Valentor et al.
D376,281	S	12/1996	Robertson
D378,553	S	3/1997	Newhouse
D393,757	S	4/1998	Breen
5,845,962	A	12/1998	Lin
D411,054	S	6/1999	Williams
5,996,139	A	12/1999	Gesse
6,122,776	A	9/2000	Cheng
D434,253	S	11/2000	Turner et al.

**1 Claim, 5 Drawing Sheets**



# US D645,680 S

Page 2

---

## U.S. PATENT DOCUMENTS

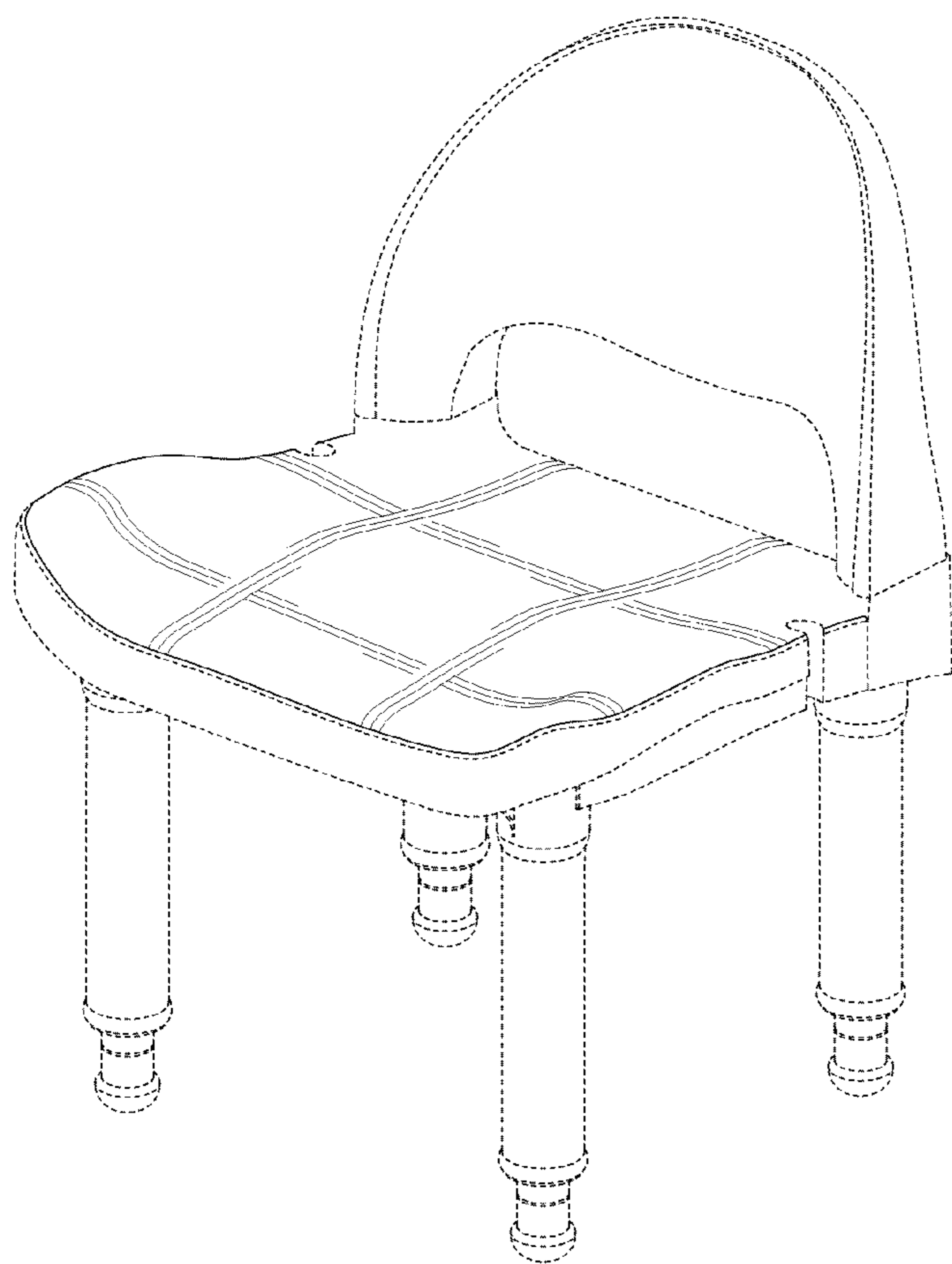
D478,752 S 8/2003 Gilbert et al.  
D479,051 S 9/2003 Darst et al.  
D479,067 S 9/2003 Gilbert et al.  
D479,068 S 9/2003 Gilbert et al.  
D488,632 S 4/2004 Muller  
6,957,865 B1 10/2005 Adams et al.  
6,969,112 B1 \* 11/2005 Sherrill ..... 297/16.1  
D519,291 S 4/2006 Higgs et al.  
D526,517 S 8/2006 Adams et al.  
D550,002 S 9/2007 Genord et al.  
D552,366 S 10/2007 Graves et al.

D557,516 S \* 12/2007 Genord et al. .... D6/377  
D582,184 S 12/2008 Bauer et al.  
7,549,702 B2 6/2009 Meyers  
D595,972 S 7/2009 Broering et al.  
2004/0051365 A1 3/2004 Darst et al.

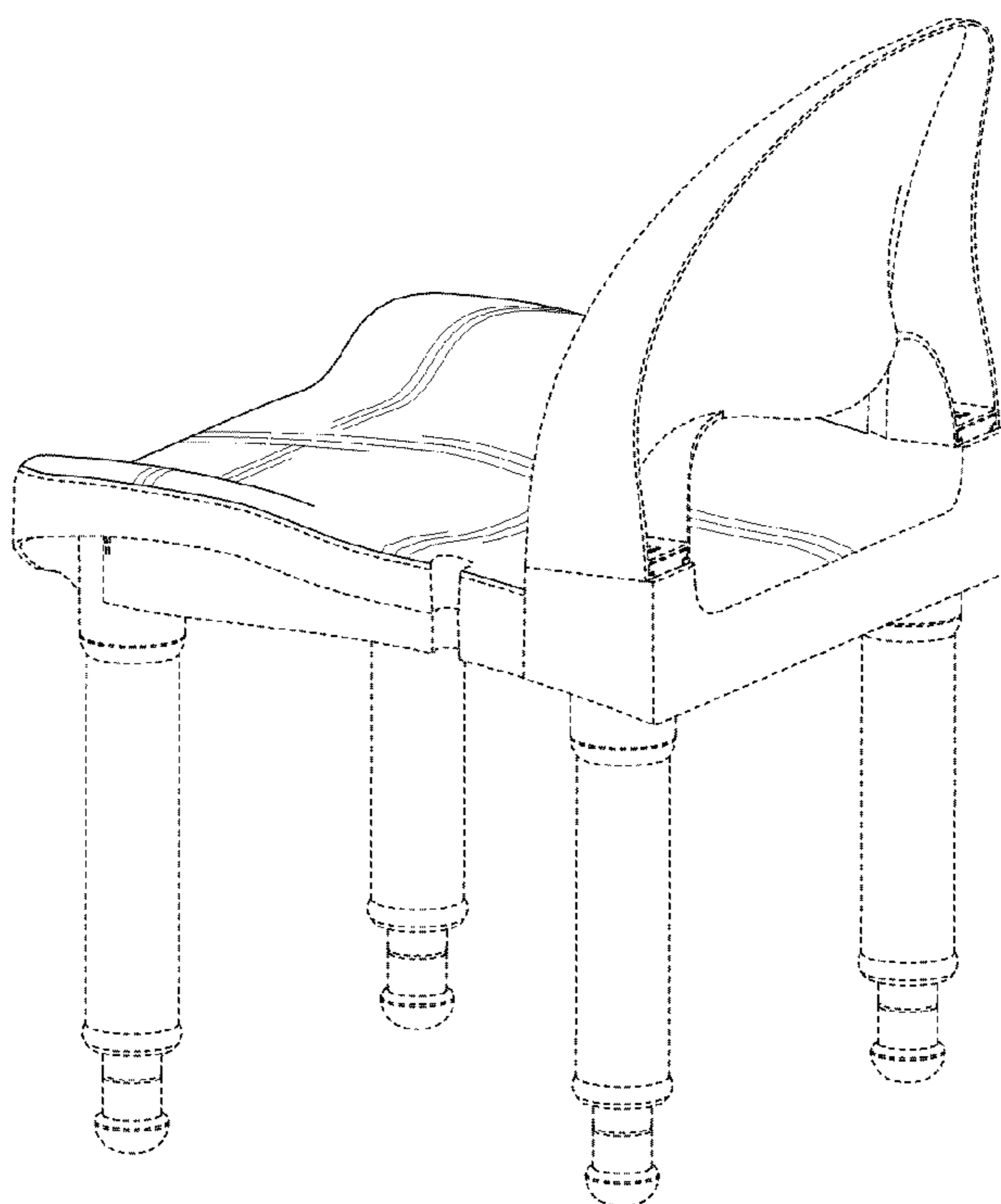
## OTHER PUBLICATIONS

Seat Products With Backs, all seat products shown in the cited document were publicly available more than one year prior to Jul. 29, 2010, 3 pages.

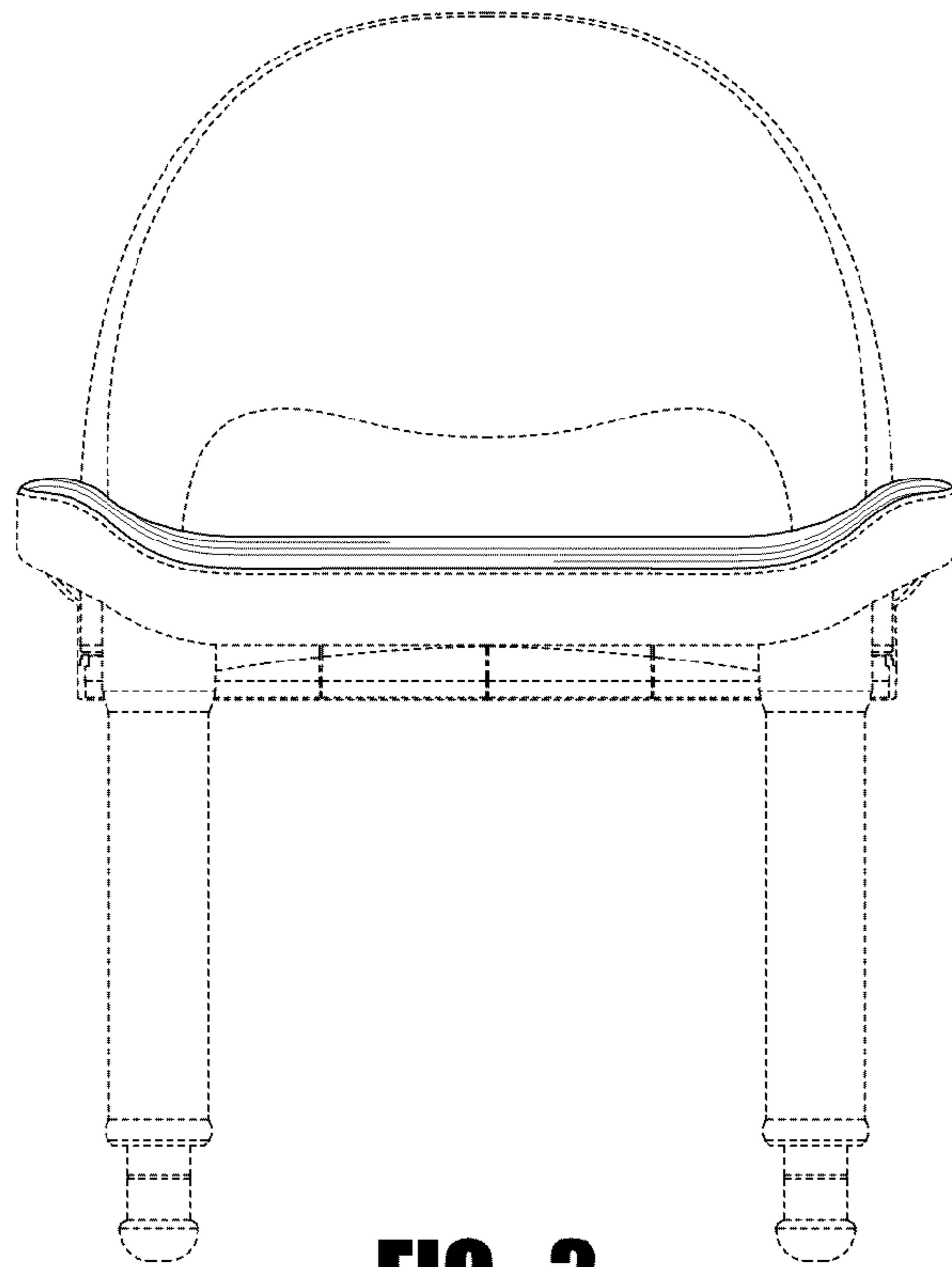
\* cited by examiner



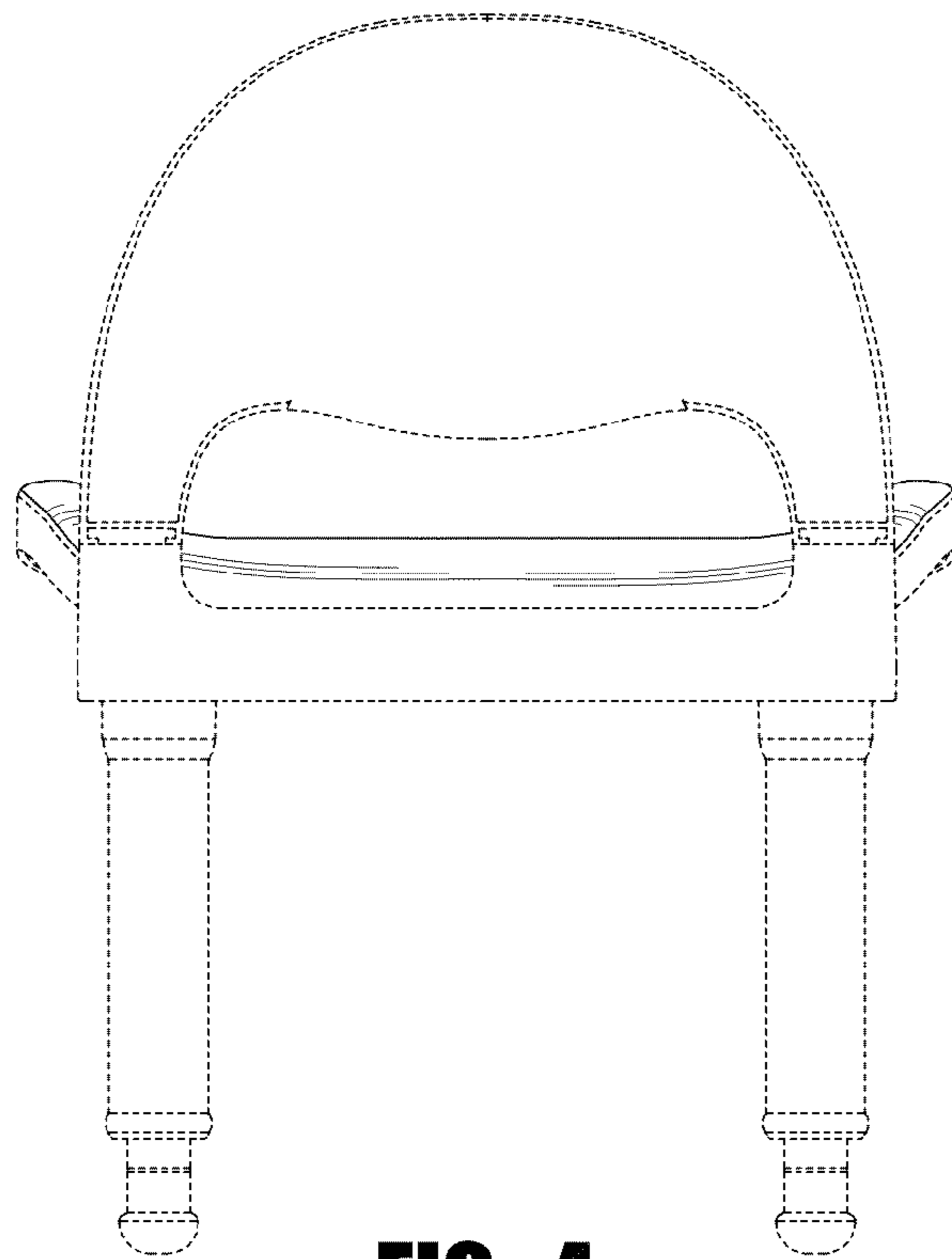
**FIG. 1**



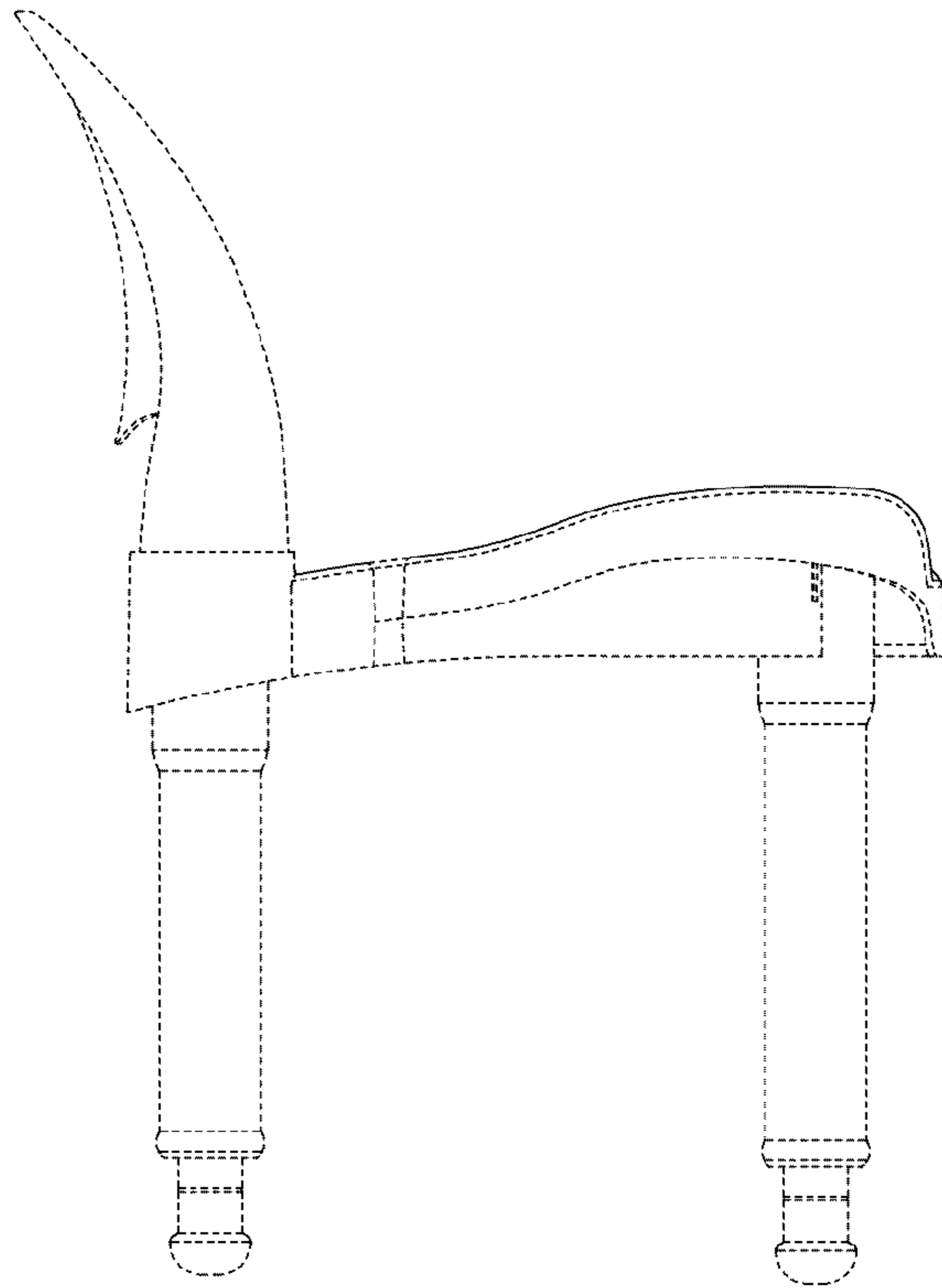
**FIG. 2**



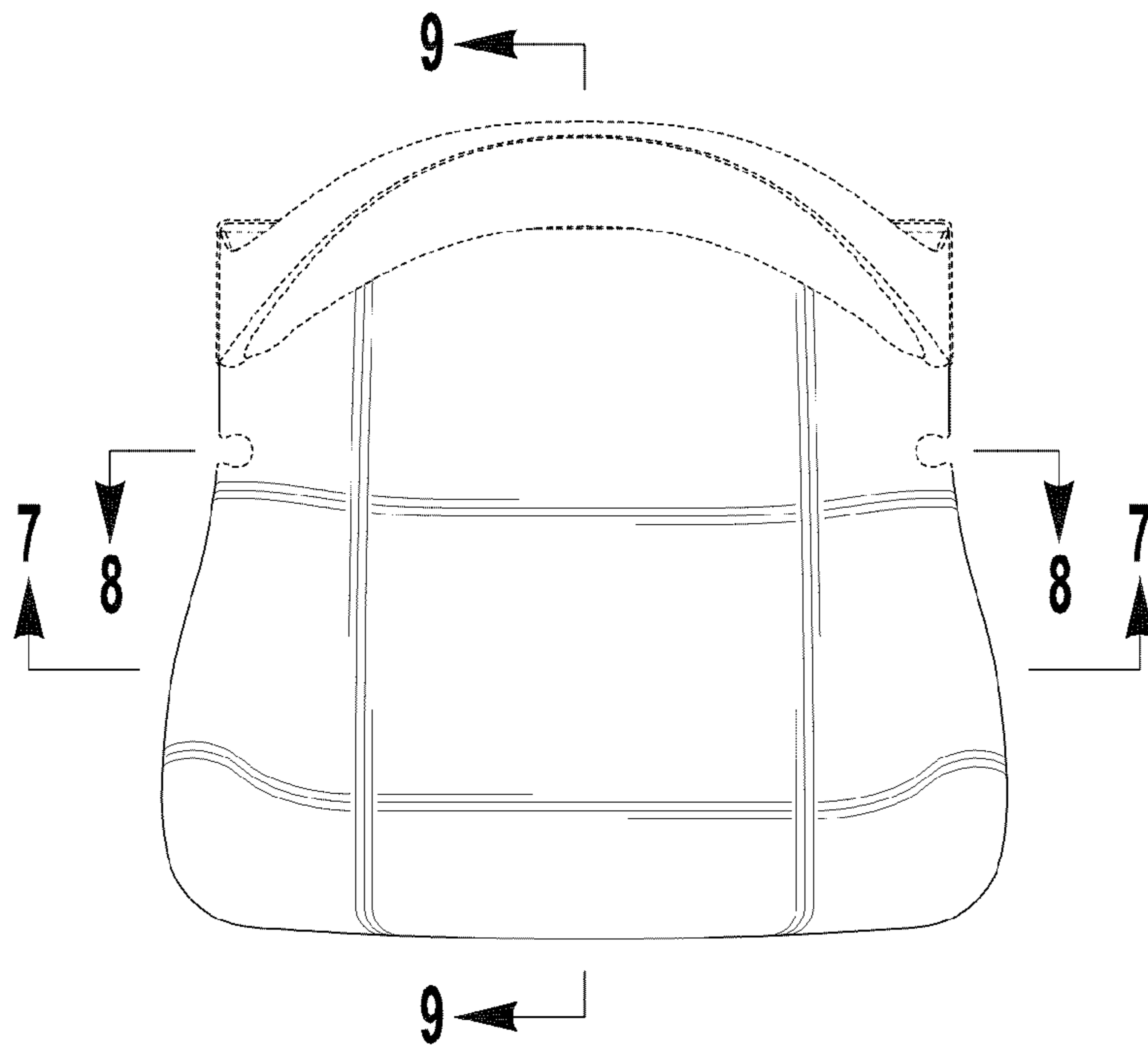
**FIG. 3**



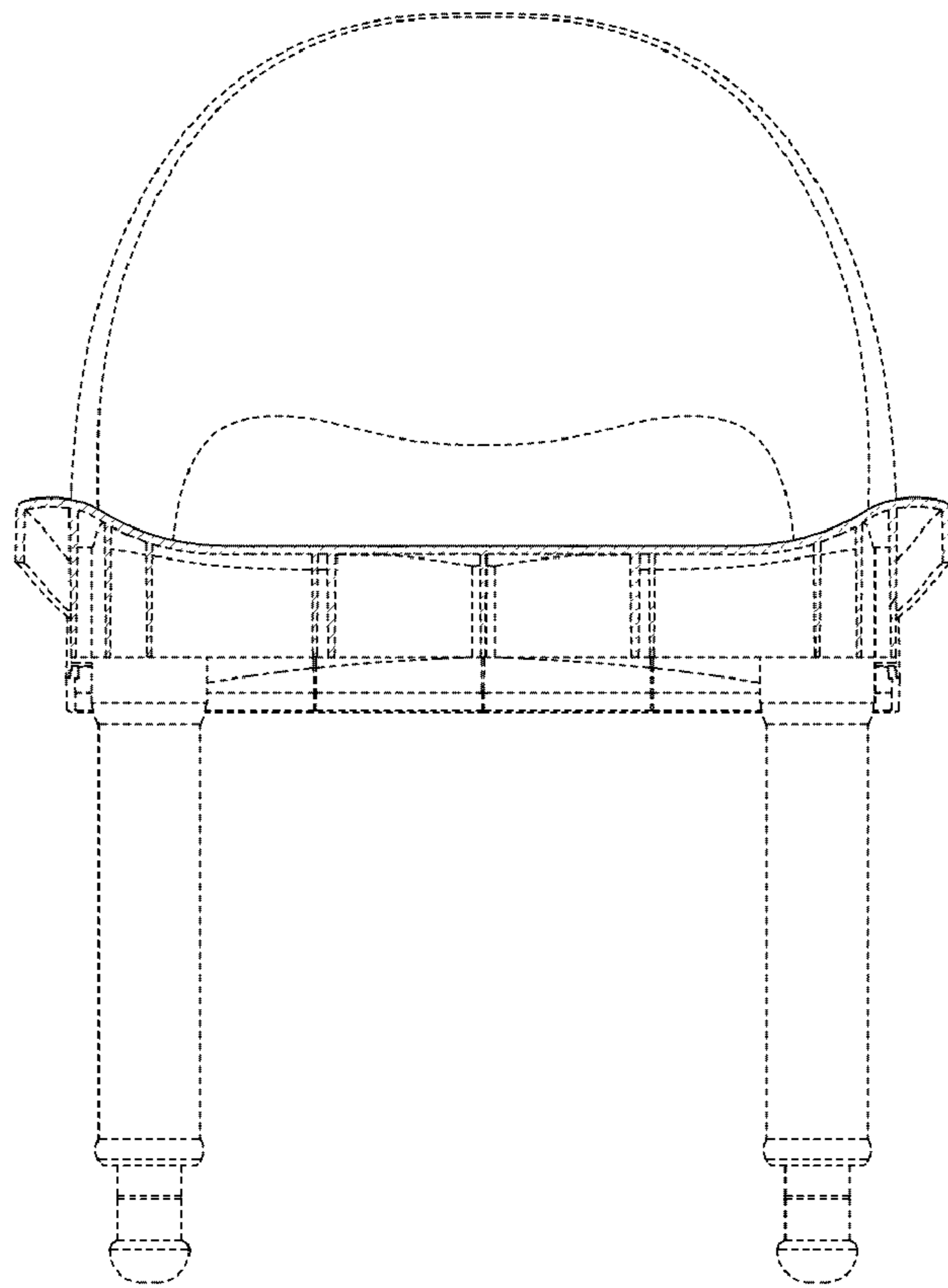
**FIG. 4**



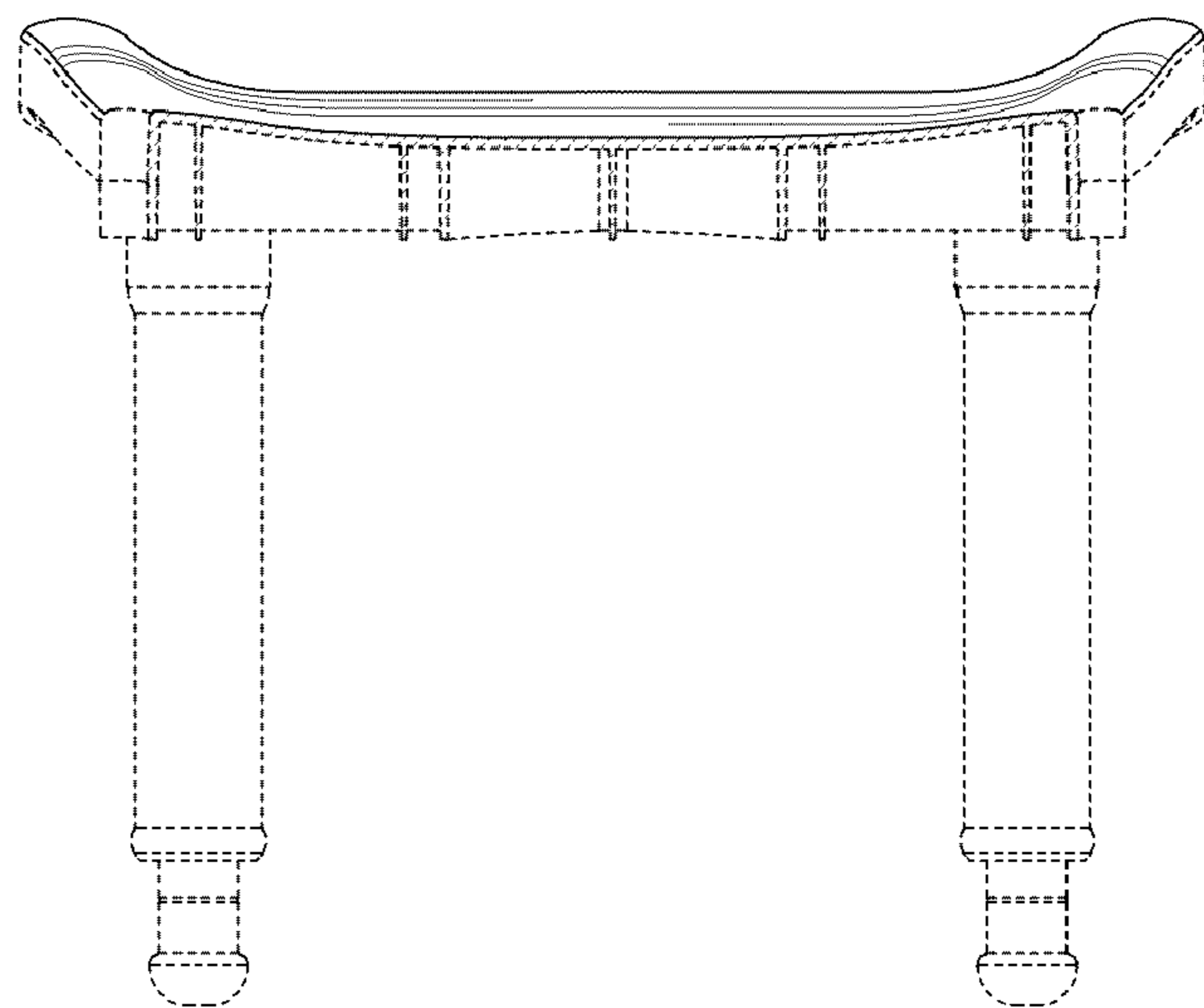
**FIG. 5**



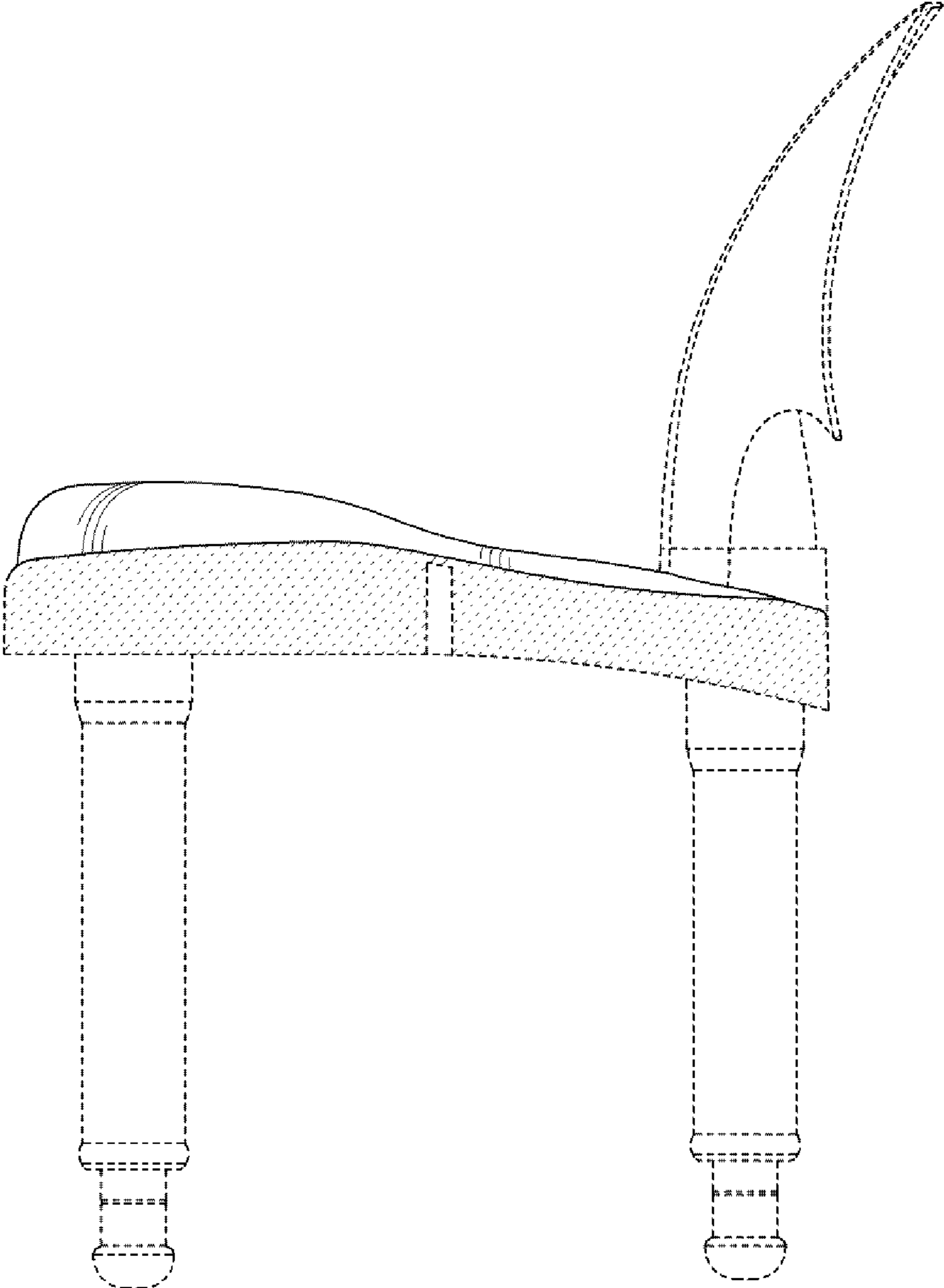
**FIG. 6**



**FIG. 7**



**FIG. 8**



**FIG. 9**