



US00D645674S

(12) **United States Design Patent**
Sakakibara et al.

(10) **Patent No.:** **US D645,674 S**

(45) **Date of Patent:** **** Sep. 27, 2011**

(54) **CONVERTIBLE BED**

(75) Inventors: **Mizuho Sakakibara**, Osaka (JP); **Hideo Kawakami**, Osaka (JP); **Yohei Kume**, Osaka (JP); **Tohru Nakamura**, Osaka (JP)

(73) Assignee: **Panasonic Corporation**, Osaka (JP)

(**) Term: **14 Years**

(21) Appl. No.: **29/346,933**

(22) Filed: **Nov. 9, 2009**

(30) **Foreign Application Priority Data**

May 15, 2009 (JP) 2009-10826

(51) **LOC (9) Cl.** **06-06**

(52) **U.S. Cl.** **D6/383**; D6/392

(58) **Field of Classification Search** D6/382-384.388, D6/392-395, 505-508; 5/53.1, 907, 279.1, 5/280, 281, 2.1, 600, 612, 620, 81.1 R, 81.1 HS, 5/308, 400, 611, 86.1, 722; D12/128, 132
See application file for complete search history.

(56) **References Cited**

U.S. PATENT DOCUMENTS

D250,977	S	2/1979	Powers	
D258,986	S *	4/1981	Byrum	D24/183
4,259,755	A *	4/1981	Hollander	5/58
4,290,155	A *	9/1981	Hanson	5/722
4,987,620	A *	1/1991	Sharon	5/600
5,867,849	A *	2/1999	Pontrello	5/2.1
5,896,602	A *	4/1999	Marblestone	5/81.1 R
D451,849	S	12/2001	Noshi	
D464,004	S *	10/2002	Noshi	D12/128
2004/0172755	A1 *	9/2004	Falbo et al.	5/600
2011/0030138	A1 *	2/2011	Kawakami et al.	5/2.1

FOREIGN PATENT DOCUMENTS

JP	D1105781	4/2001
JP	D1111592	6/2001
JP	D1145142	7/2002

* cited by examiner

Primary Examiner — Janice Seeger

(74) *Attorney, Agent, or Firm* — Beinks Hofer Gilson & Lione

(57) **CLAIM**

We claim the ornamental design for a convertible bed, as shown and described.

DESCRIPTION

FIG. 1 is a top perspective view of a convertible bed of the present invention;
 FIG. 2 is a front view thereof;
 FIG. 3 is a rear view thereof;
 FIG. 4 is a first side view thereof;
 FIG. 5 is a second side view thereof;
 FIG. 6 is a top view thereof;
 FIG. 7 is a top perspective view thereof shown in an alternate position;
 FIG. 8 is a top perspective view thereof shown in a second alternate position; and,
 FIG. 9 is a top perspective view thereof shown in a third alternate position.
 The broken line showing of convertible bed is included for the purpose of illustrating environment and forms no part of the claimed design.
 The claimed design shown in FIG. 9 is bracketed to illustrate that the separate portions of the design consist of a single unit.

1 Claim, 9 Drawing Sheets

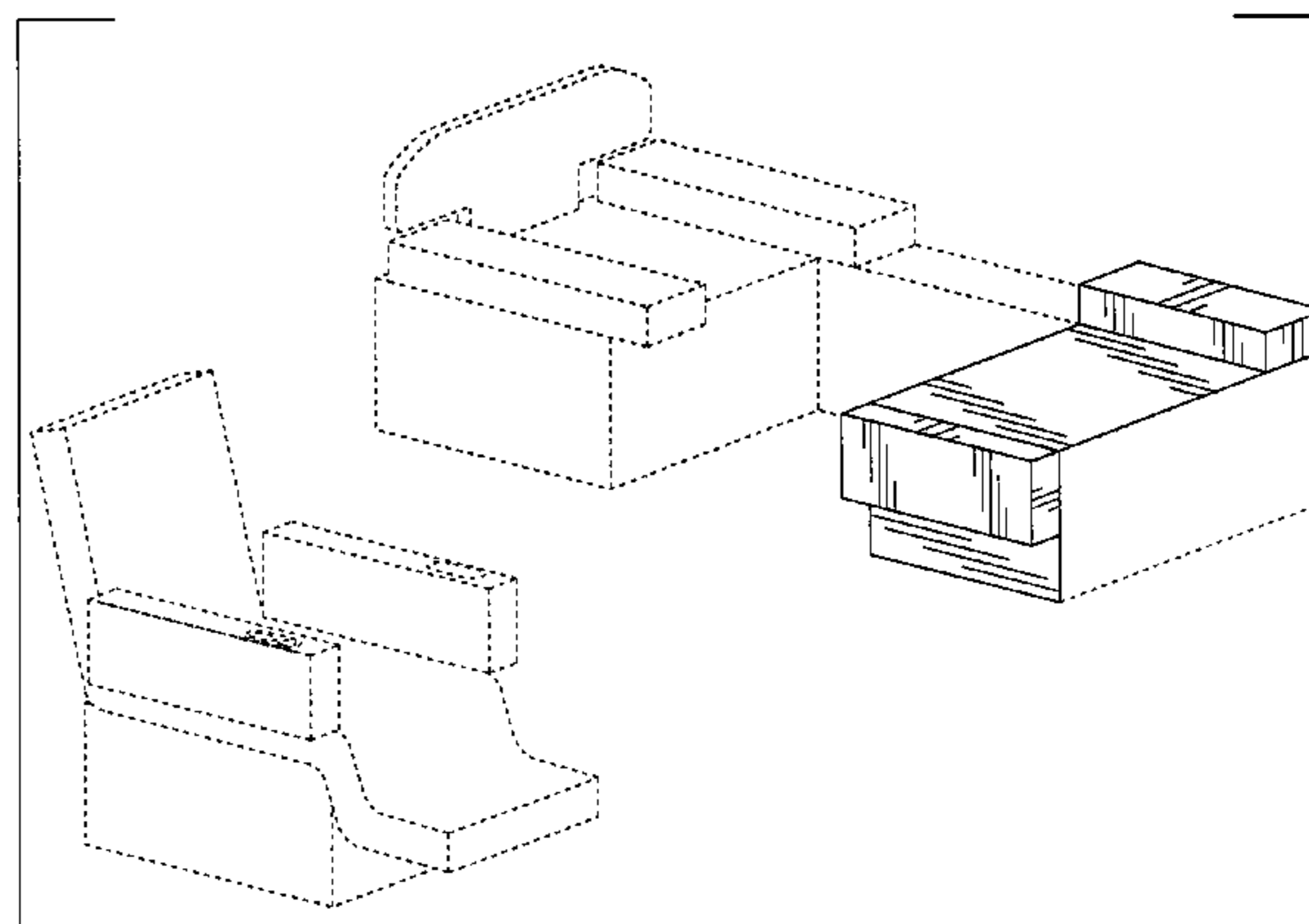
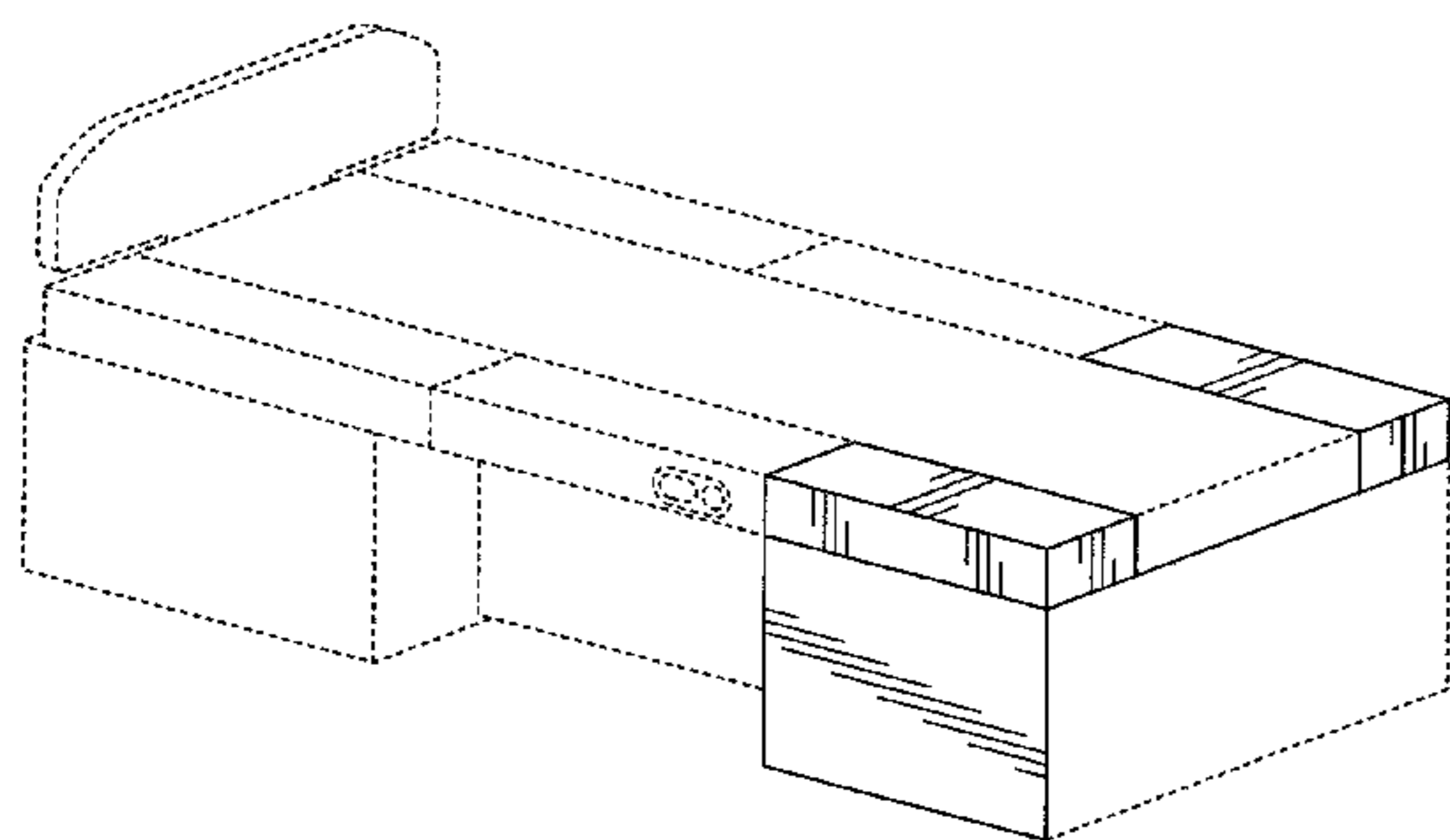


FIG.1

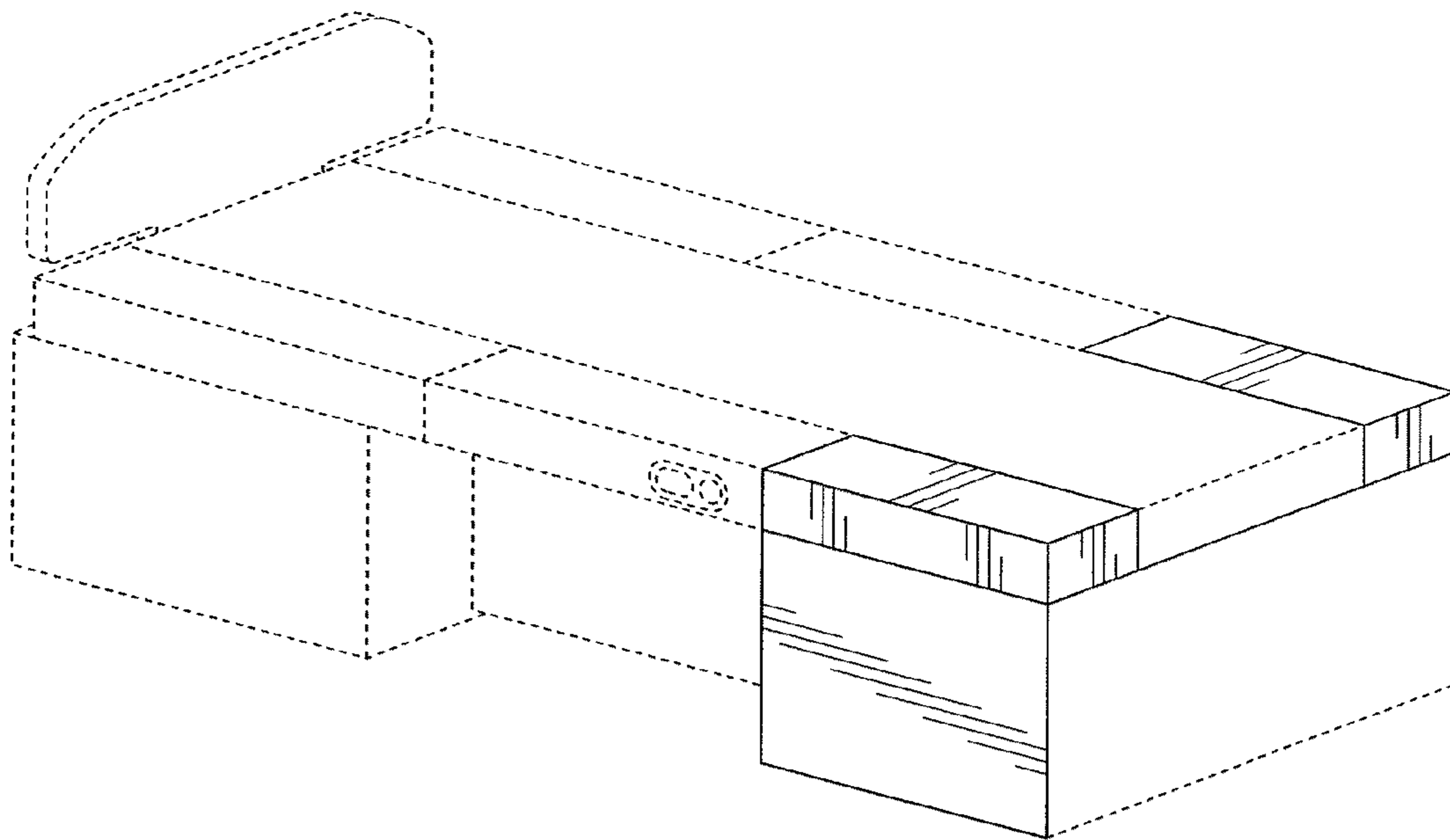


FIG.2

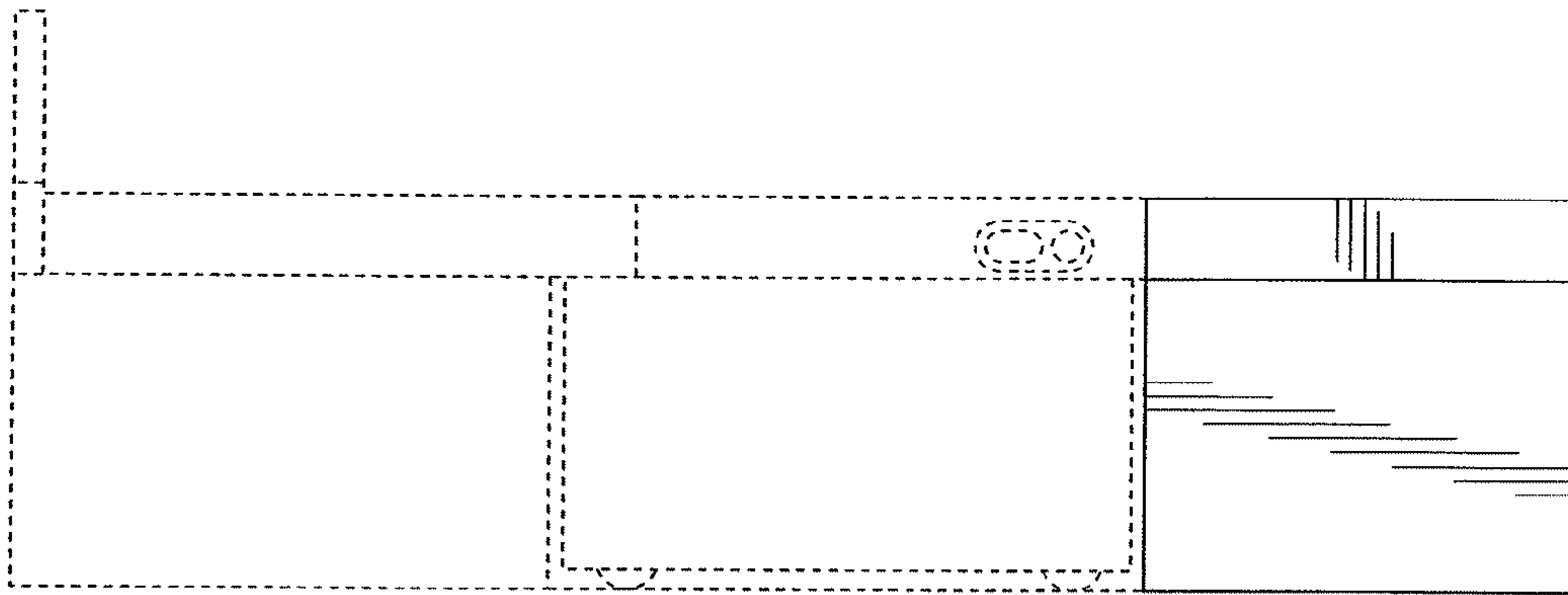


FIG.3

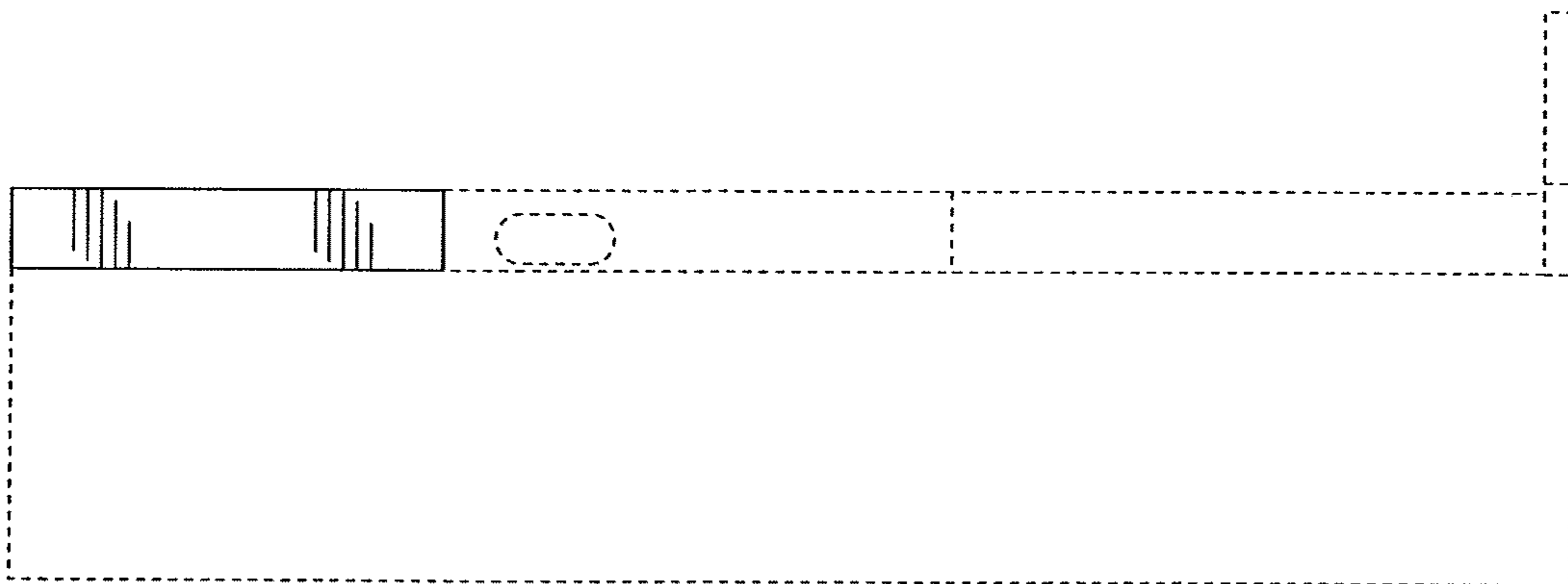


FIG.4

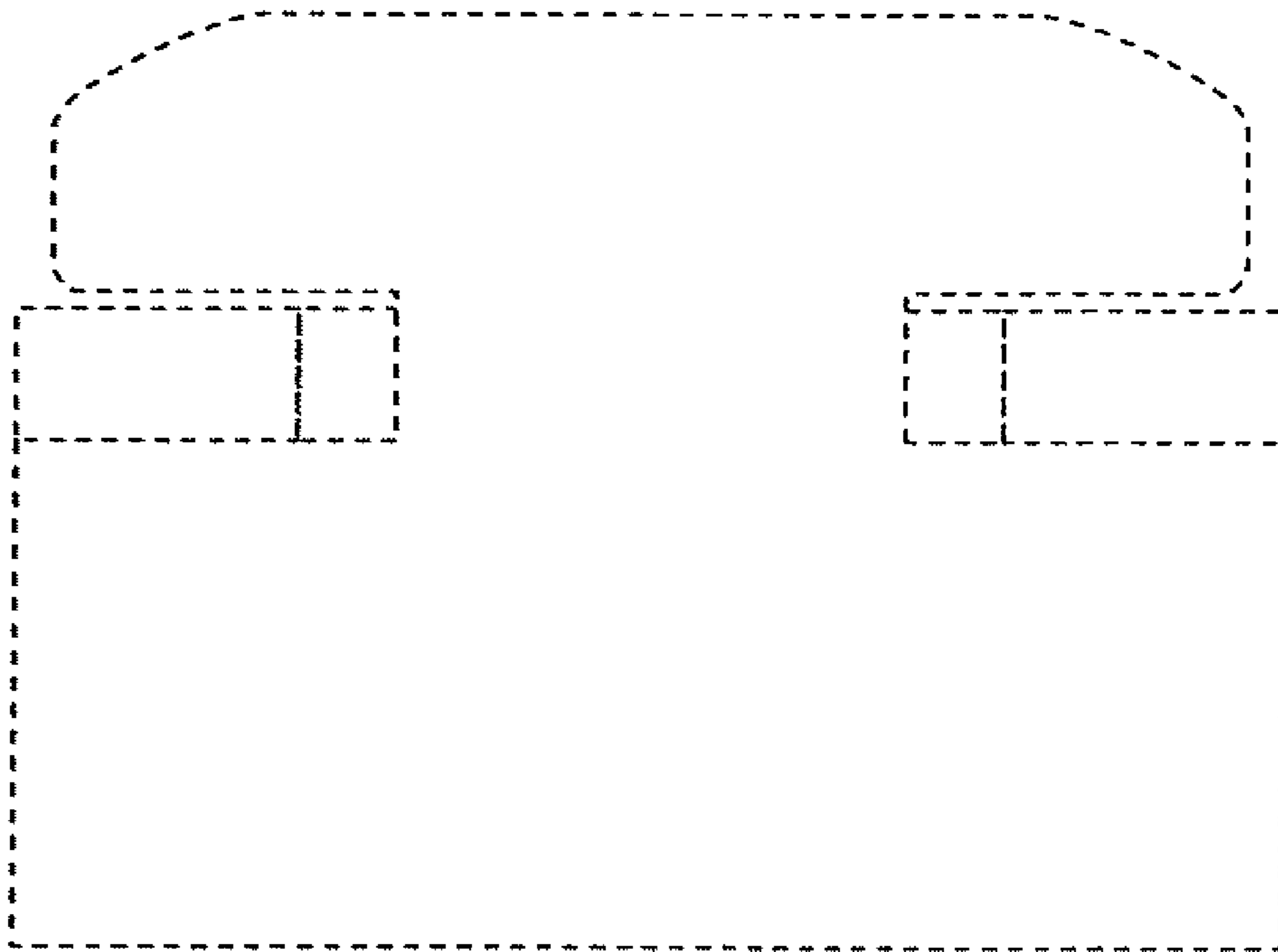


FIG.5

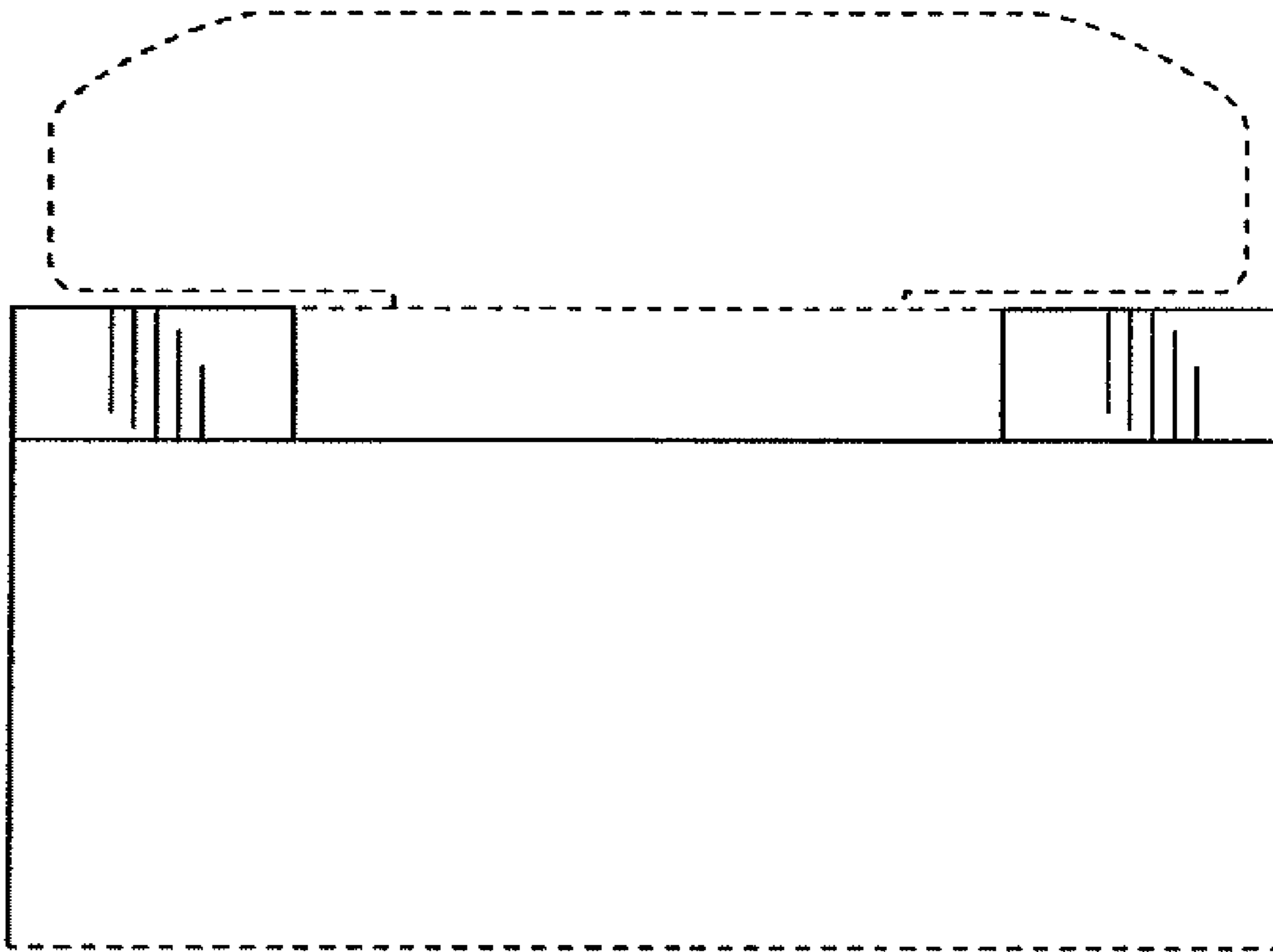


FIG.6

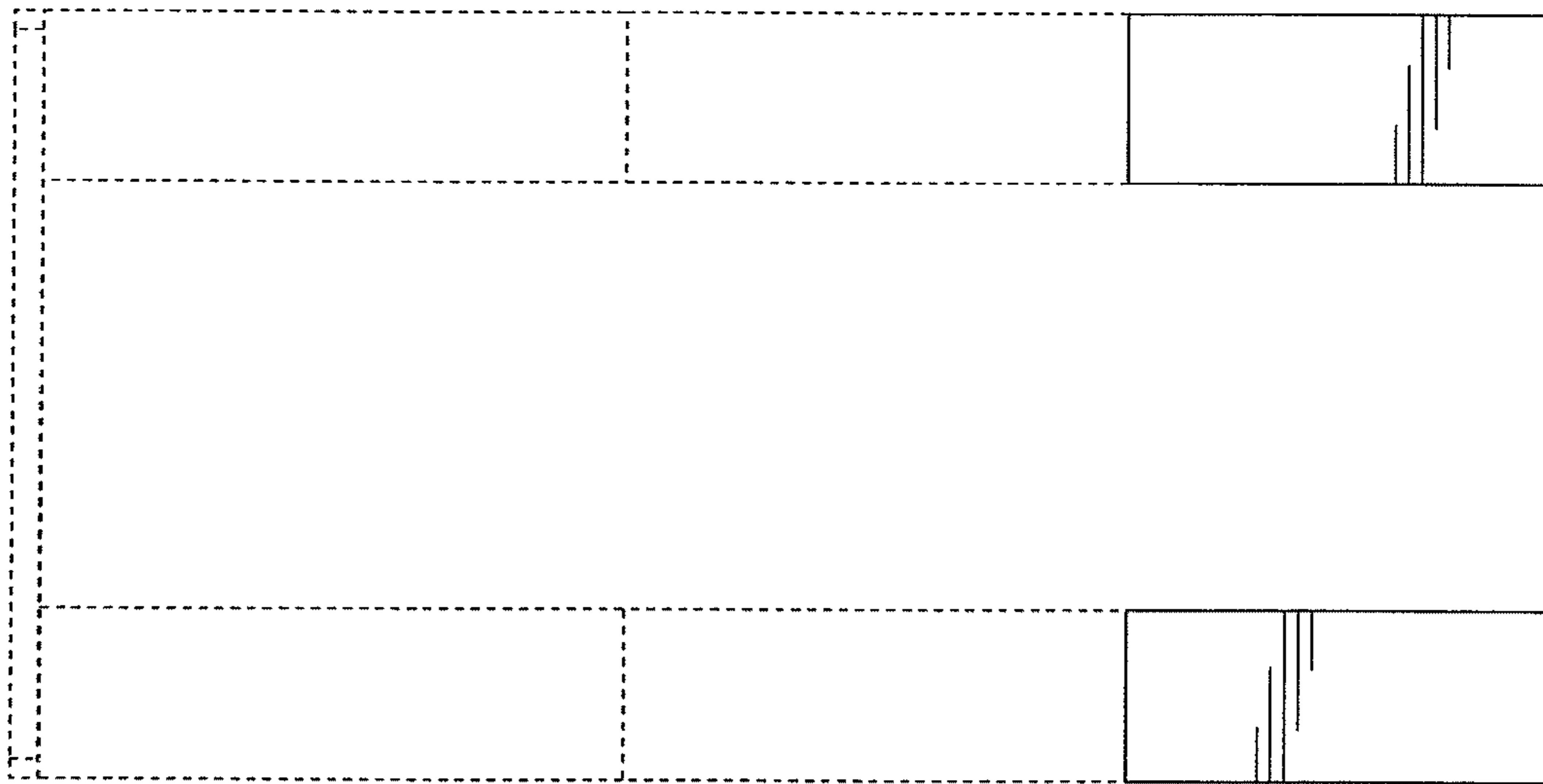


FIG.7

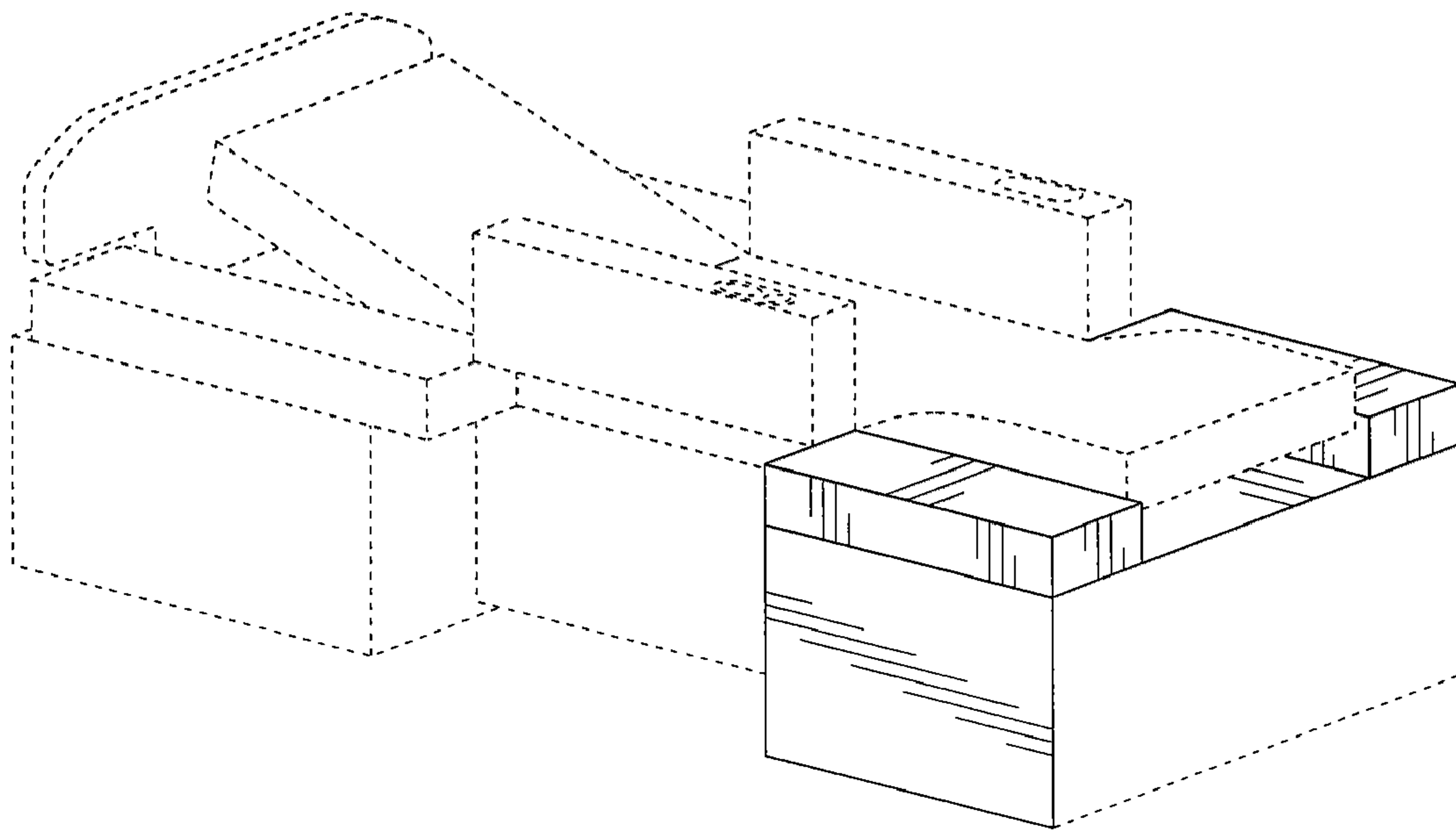


FIG.8

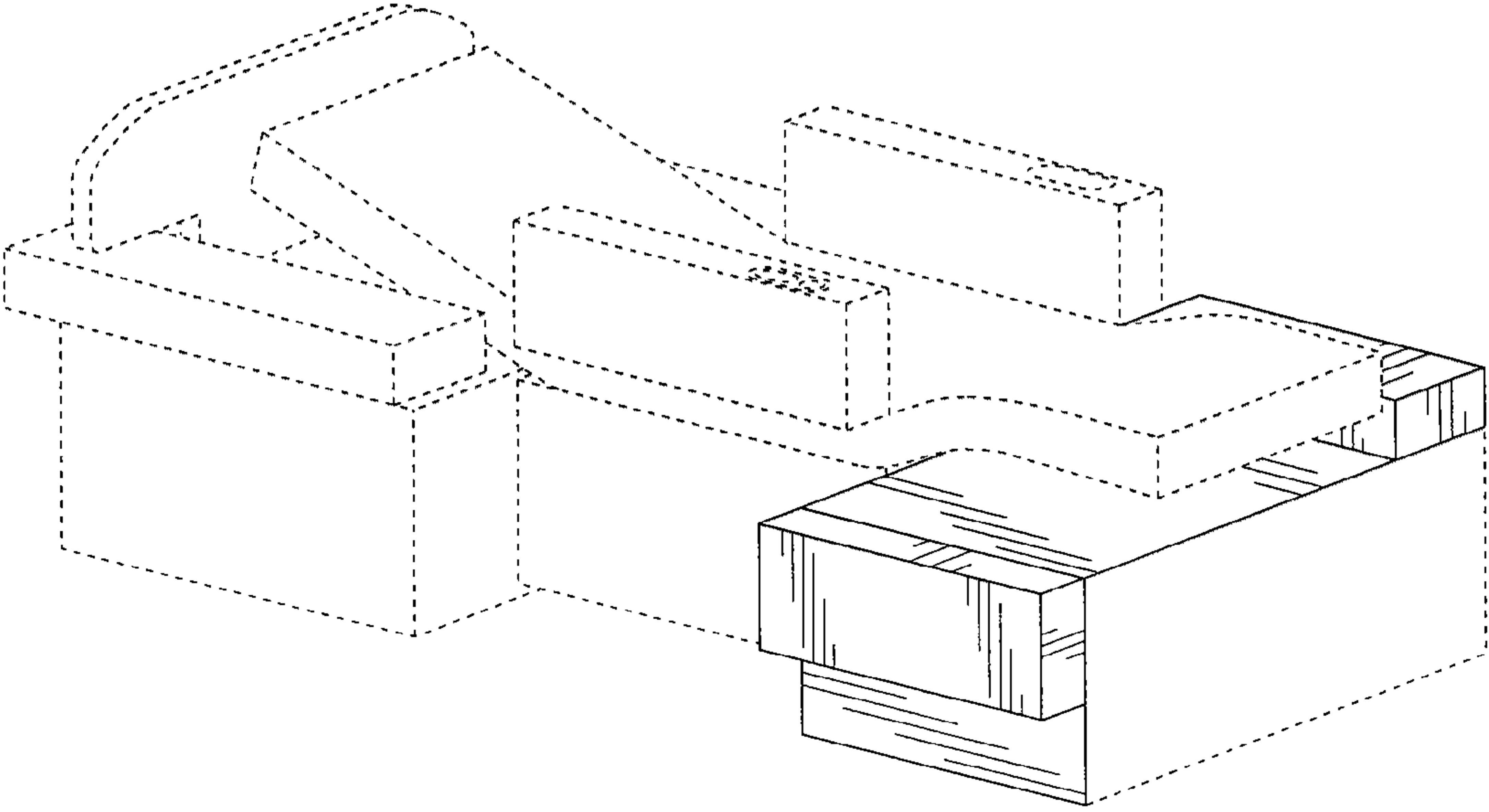


FIG.9

