



US00D645664S

(12) **United States Design Patent**
Pires et al.

(10) **Patent No.:** **US D645,664 S**

(45) **Date of Patent:** **** Sep. 27, 2011**

(54) **COSMETIC APPLICATOR**

(75) Inventors: **Leo Clifford Pires**, Basking Ridge, NJ (US); **Roger Hwang**, Maple (CA); **Rahul Bose**, New Delhi (IN); **Iti Seth**, New Delhi (IN); **Manisha Kohli**, New Delhi (IN)

(73) Assignee: **Zen Design Solutions Limited** (HK)

(**) Term: **14 Years**

(21) Appl. No.: **29/388,203**

(22) Filed: **Mar. 25, 2011**

(51) **LOC (9) Cl.** **04-02**

(52) **U.S. Cl.** **D4/133; D4/136**

(58) **Field of Classification Search** D4/119,
D4/120, 128, 133, 136; D28/7, 35-37; 15/106,
15/186-188, 207.2; 132/216-218, 317, 901;
401/121, 122, 126, 127, 129

See application file for complete search history.

(56) **References Cited**

U.S. PATENT DOCUMENTS

6,691,716	B2 *	2/2004	Neuner et al.	132/218
7,581,546	B2 *	9/2009	Dumler	132/218
D613,071	S *	4/2010	Berhault	D4/133
7,841,348	B2 *	11/2010	Rebours	132/218
2009/0193602	A1 *	8/2009	Dumler et al.	15/160

OTHER PUBLICATIONS

EM 330436-0008 Registered Design Application, (GEKA GmbH) Jun. 14, 2005, [online], [retrieved on May 11, 2011] Retrieved from

the Community Design Database of the Office for Harmonization in the Internal Market using the Internet: <URL: <http://oami.europa.eu>>.*

EM 623202-0007 Registered Design Application, (Alcan Packaging Beauty Services) Dec. 12, 2006, [online], [retrieved on May 11, 2011] Retrieved from the Community Design Database of the Office for Harmonization in the Internal Market using the Internet: <URL: <http://oami.europa.eu>>.*

EM 1231534-0028 Registered Design Application, (GEKA GmbH) Sep. 2, 2010, [online], [retrieved on May 11, 2011] Retrieved from the Community Design Database of the Office for Harmonization in the Internal Market using the Internet: <URL: <http://oami.europa.eu>>.*

* cited by examiner

Primary Examiner — Melanie H Tung

Assistant Examiner — Lavone D Tabor

(74) *Attorney, Agent, or Firm* — Patterson & Sheridan, LLP

(57) **CLAIM**

The ornamental design for a “cosmetic applicator,” as shown and described.

DESCRIPTION

FIG. 1 illustrates an isometric view of a cosmetic applicator according to the invention;

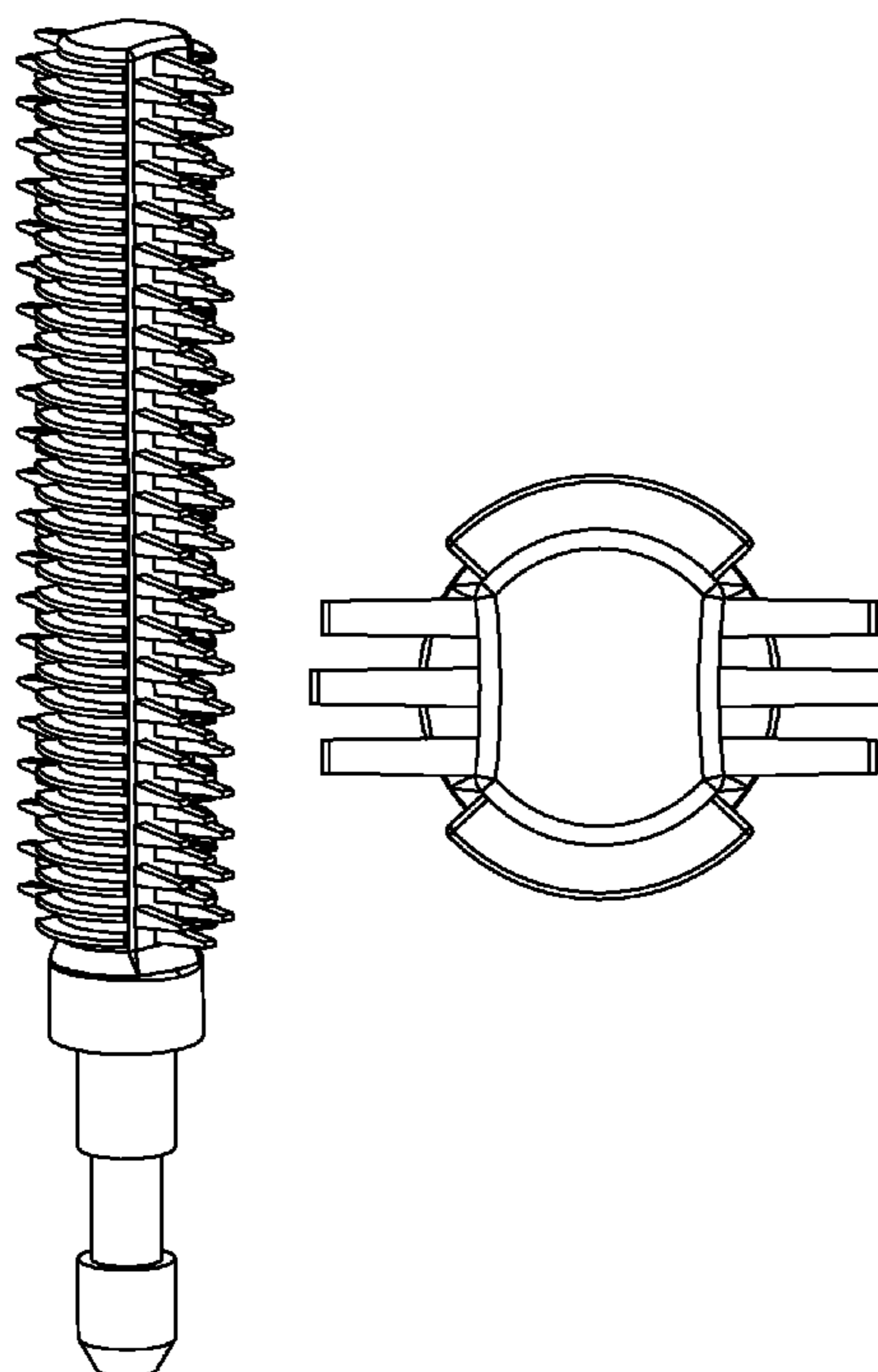
FIG. 2 is a front view of the cosmetic applicator of FIG. 1, the rear view being a mirror image thereof;

FIG. 3 is a right side view of the cosmetic applicator of FIG. 1, the left side view being a mirror image thereof;

FIG. 4 is an enlarged top view of the cosmetic applicator of FIG. 1; and,

FIG. 5 is an enlarged bottom view of the cosmetic applicator of FIG. 1.

1 Claim, 5 Drawing Sheets



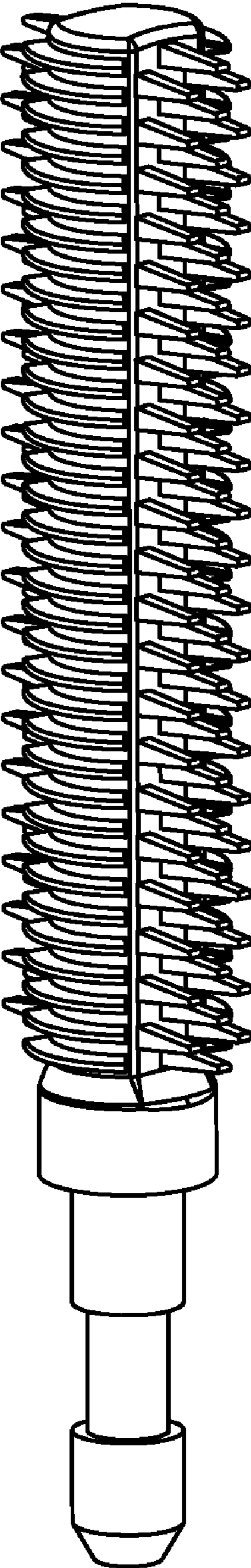


Fig. 1

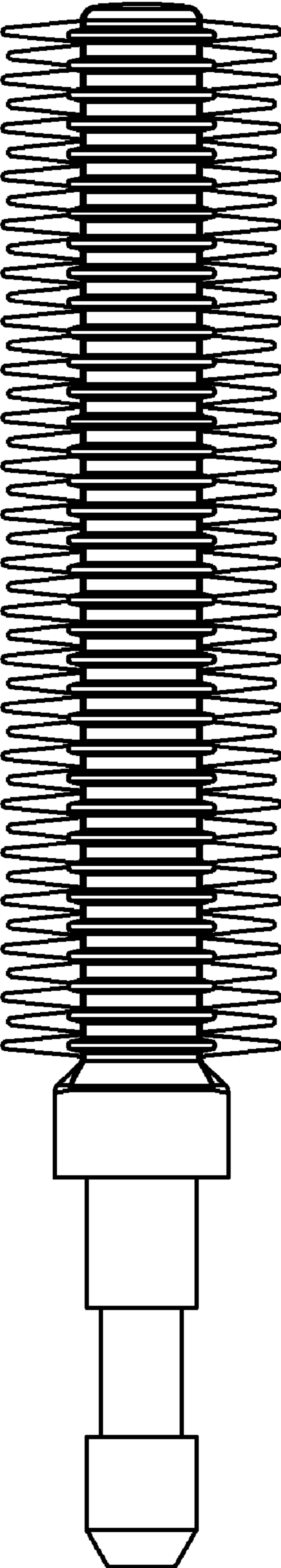


Fig. 2

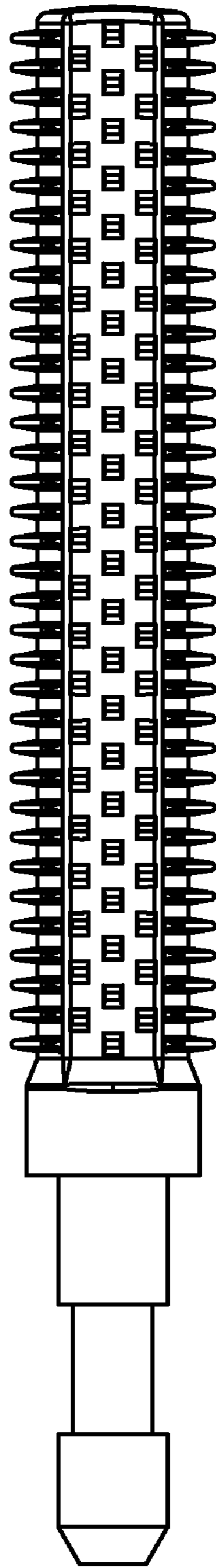


Fig. 3

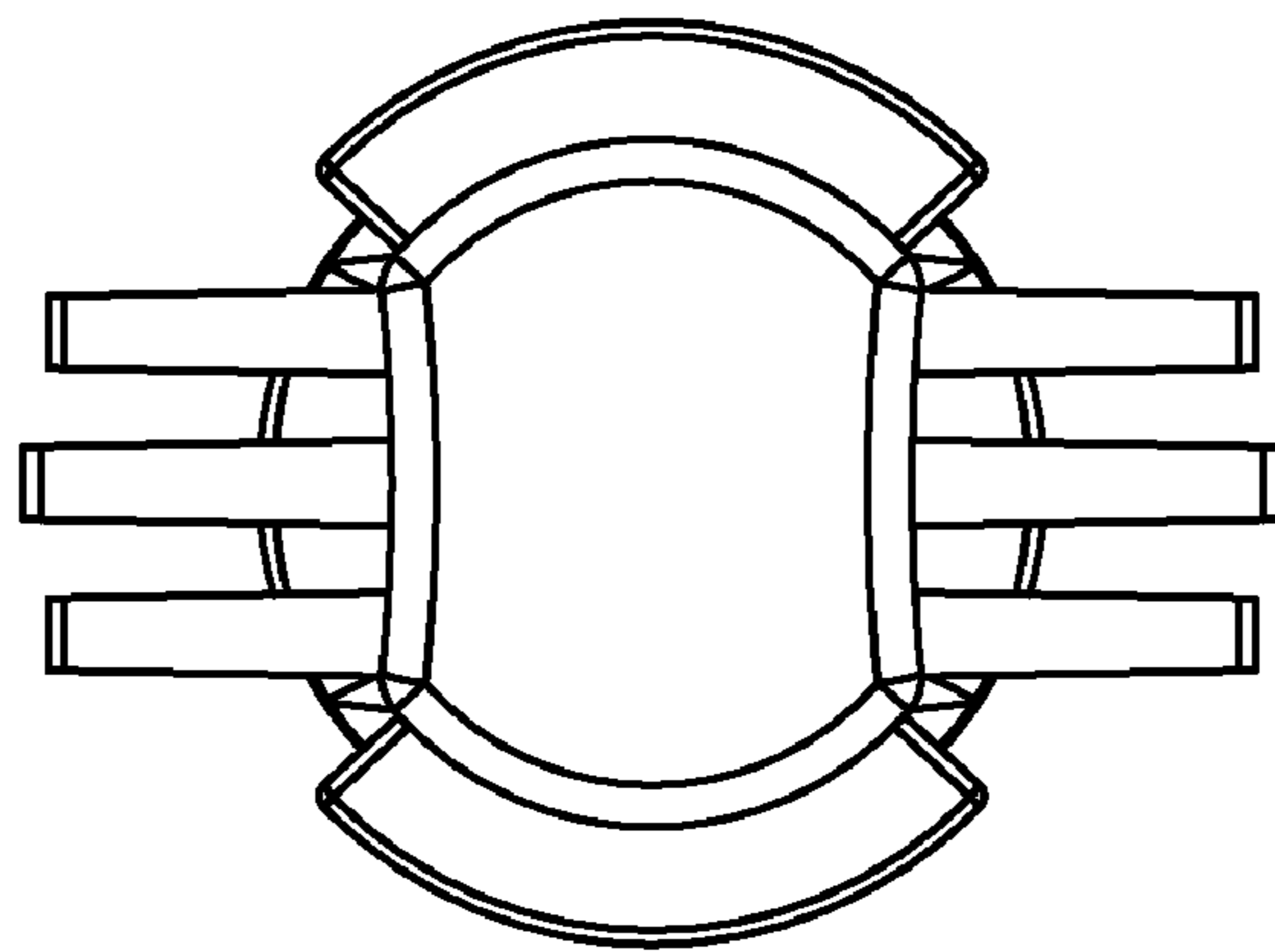


Fig. 4

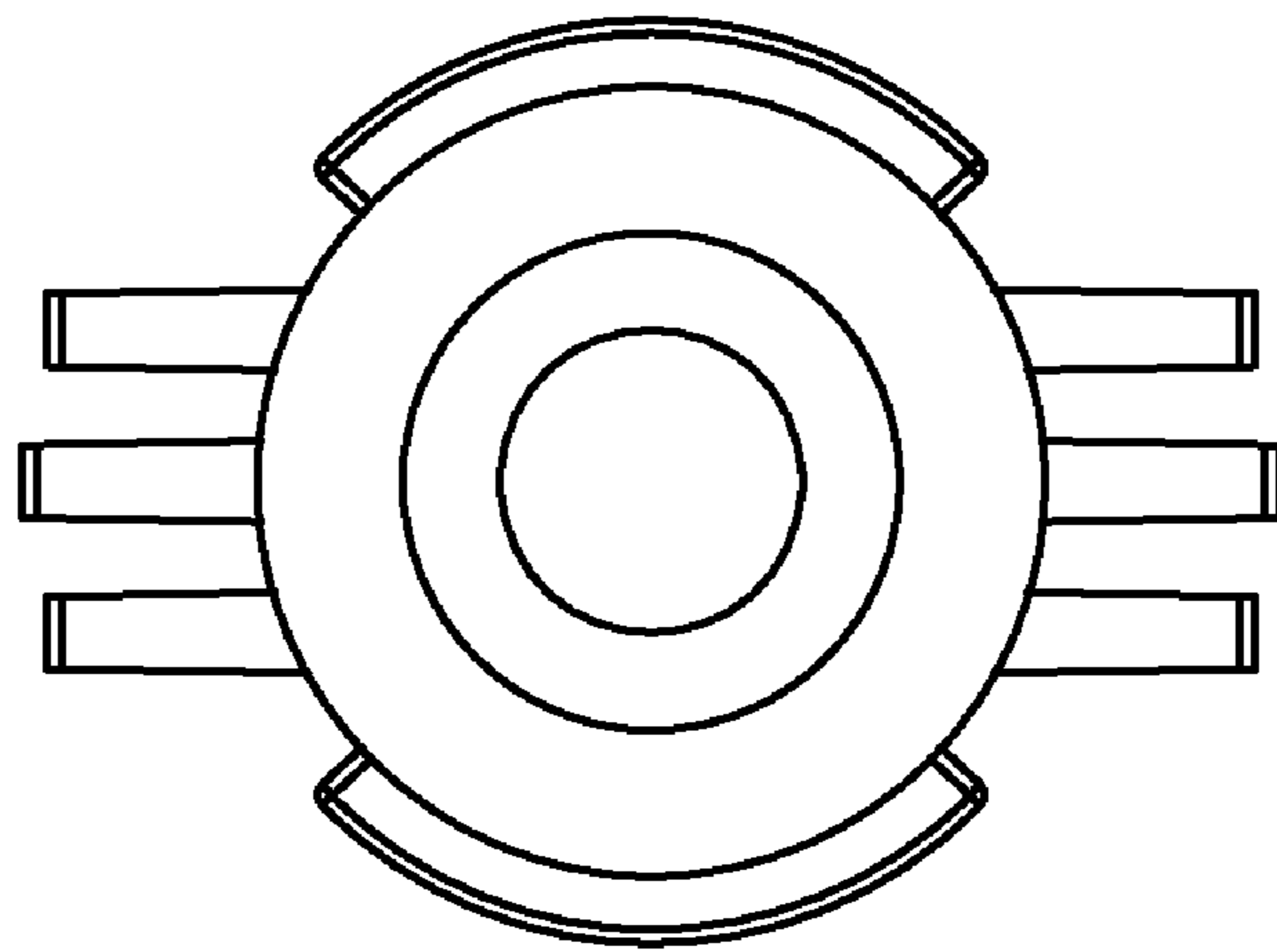


Fig. 5